

THERMA-TRU® DOORS

Fiber-Classic® & Smooth-Star®

WOOD OR COMPOSITE EDGE GLAZED FIBERGLASS SINGLE DOOR w/ DIRECT SET SIDELITE(S)

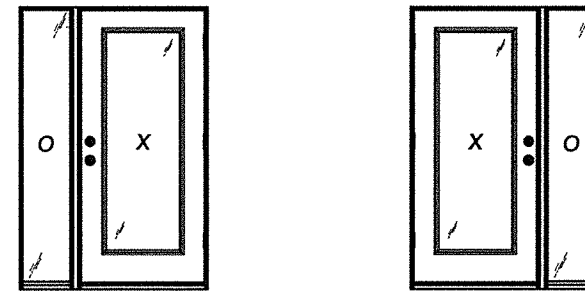
**INSWING
"NON-IMPACT"**

EVALUATED FOR USE IN THE STATE OF TEXAS

The Fiberglass Door system described herein complies with the 2018 International Residential Code (IRC), Sections R301 & R609 and the 2018 International Building Code (IBC), Sections 1404.13, 1609, 1709.5, 2403 and 2404 subject to the following conditions:

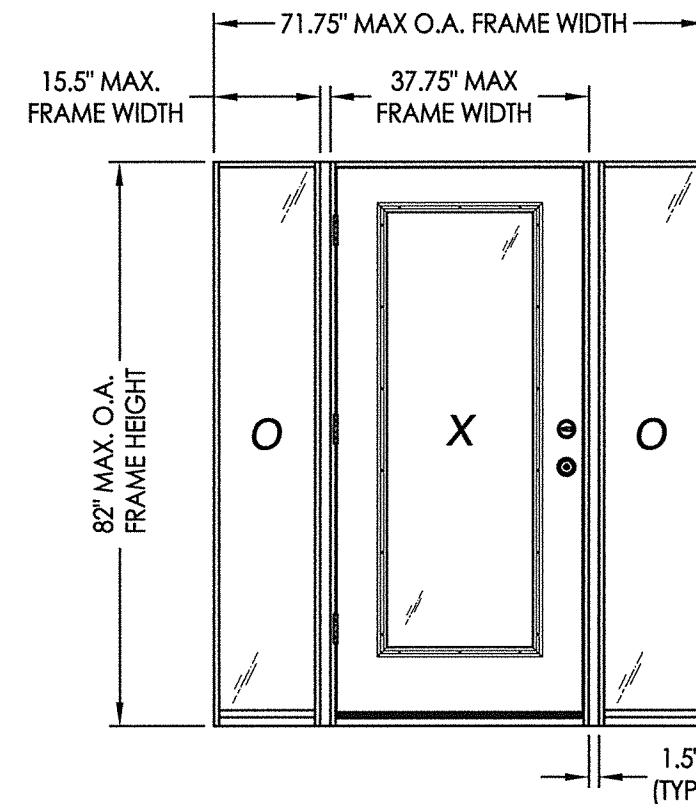
1. Anchors shall be as listed and spaced as shown in the details. Anchor embedment to base material shall be beyond wall dressing or stucco.
2. When used in areas requiring wind-borne debris protection this product is required to be protected with an impact resistant covering that complies with Section R301.2.1.2 of the IRC and Section 1609.1.2 of the IBC.
3. Allowable design pressure requirements must be equal to or less than the design pressure rating shown in the design pressure chart, sheet 1 of this drawing.
4. Conditions not covered by this drawing are subject to further engineering analysis.
5. Fiber-Classic and Smooth-Star Door and Sidelite panels require the use of "J" part numbers. These door and sidelite panels must be stained or painted within six months of installation.

TABLE OF CONTENTS			
SHEET #	DESCRIPTION	SHEET #	
1	Typical Elevations, Design Pressures & General Notes	7	Vertical Cross Sections
2	Door Panel Details	8	Frame Anchoring
3	Door Panel Details	9	Hardware Details
4	Sidelite Panel Details	10	Glazing Details
5	Elevations	11	Bill of Materials & Components
6	Horizontal Cross Sections		

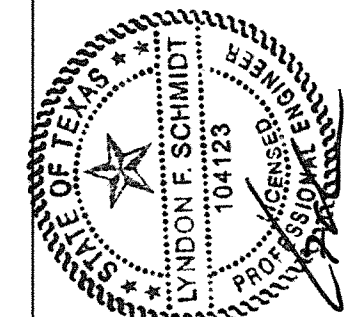


OX

XO



CONFIGURATION	DOOR GLAZING	2X REINFORCEMENT REQUIRED	DESIGN PRESSURE (PSF) w/ FJ PINE JAMBS		DESIGN PRESSURE (PSF) w/ COMPOSITE JAMBS	
			POSITIVE	NEGATIVE	POSITIVE	NEGATIVE
OX, XO, OXO	LIP LITE	NO	+40.0	-45.0	+35.0	-45.0
		YES	+40.0	-45.0	+45.0	-50.0
	FLUSH	NO	+50.0	-55.0	+35.0	-45.0
		YES	+50.0	-55.0	+45.0	-50.0



3.4.21

Documents Prepared By: Lyndon F. Schmidt, P.E.
TEXAS P.E. #104123

RW BUILDING CONSULTANTS, INC.
P.O. Box 230 Valrico FL, 33595
Phone No.: 813.659.9197

TEXAS BOARD OF PROFESSIONAL ENGINEERS
CERTIFICATE OF REGISTRATION # F-11852

PRODUCT: THERMA-TRU FIBERGLASS DOOR
PART OR ASSEMBLY: TYPICAL ELEVATION, DESIGN PRESSURES & GENERAL NOTES

NO.	DATE	BY	REVISIONS

DATE: 1/06/21

SCALE: N.T.S.

DWG. BY: RW

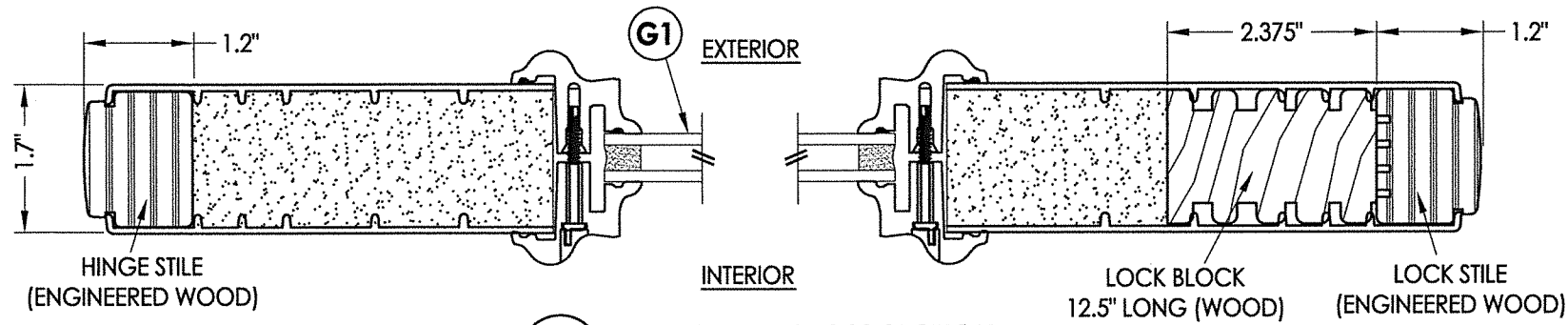
CHK. BY: LFS

DRAWING NO.:

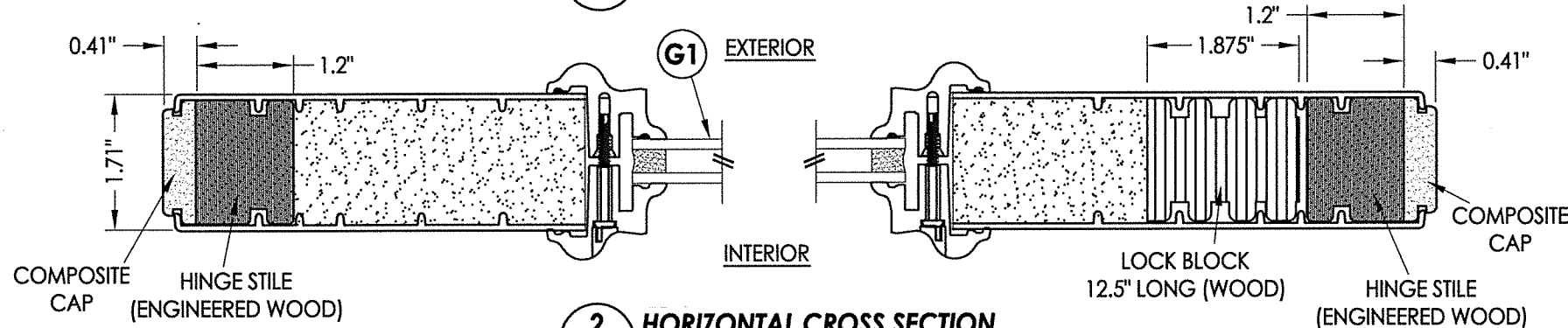
TX-5140

SHEET 1 OF 11

Z:\Clients\Therma Tru PERMANENT\B - Texas Dept of Ins\TDI - DR XXX - 6'8, 7' & 8' Glazed FG NonImp IS Dir Set Sidelites (TX 5140-5145)\C - Drawings\TX-5140-41.dwg

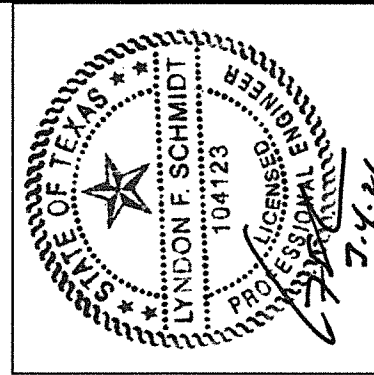


1 **HORIZONTAL CROSS SECTION**
2 WOOD EDGE

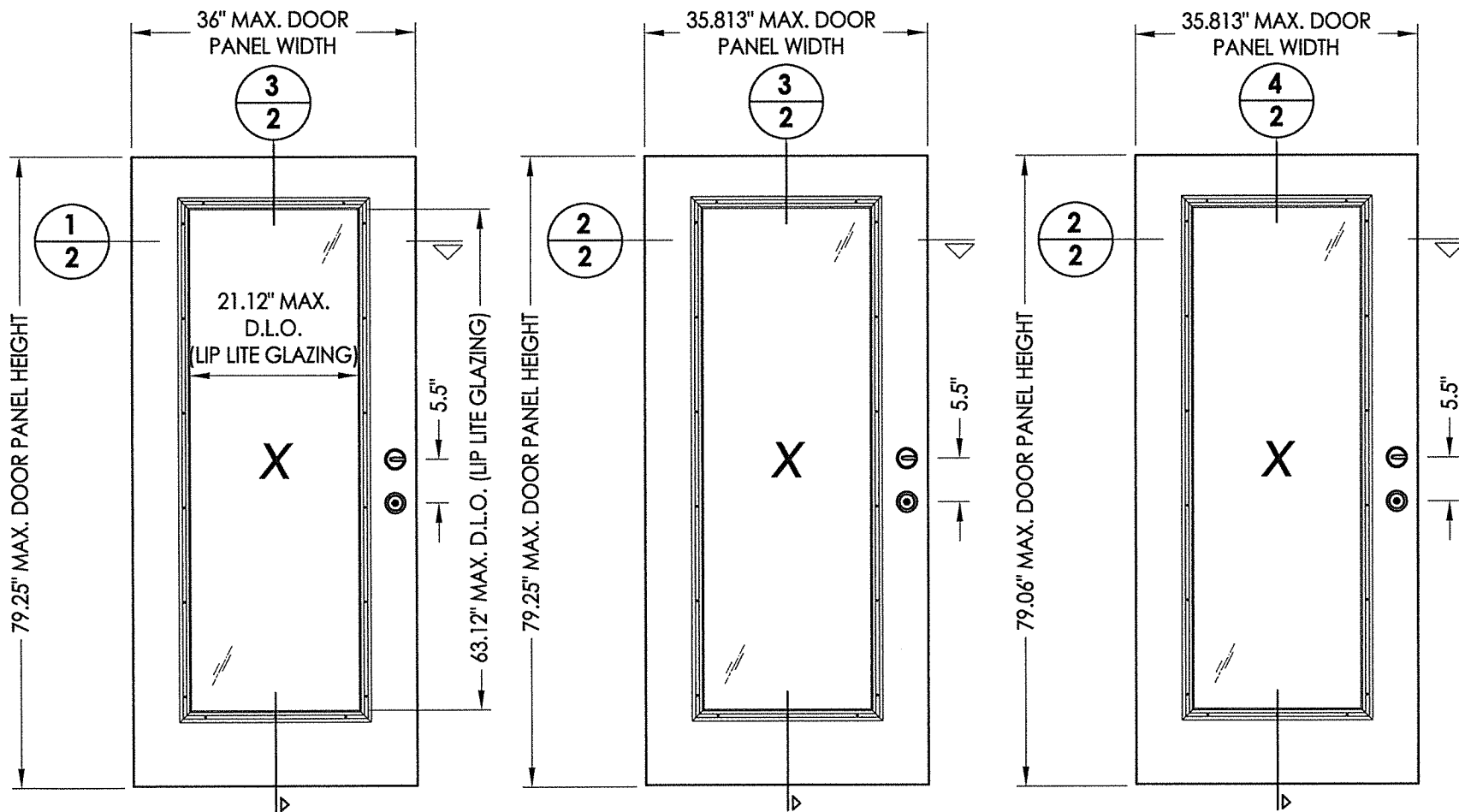


2 **HORIZONTAL CROSS SECTION**
2 COMPOSITE EDGE

NOTE: BOOK, HYBRID & U1 DOORS MAY EACH BE FABRICATED AS WOOD OR COMPOSITE EDGE DOORS.



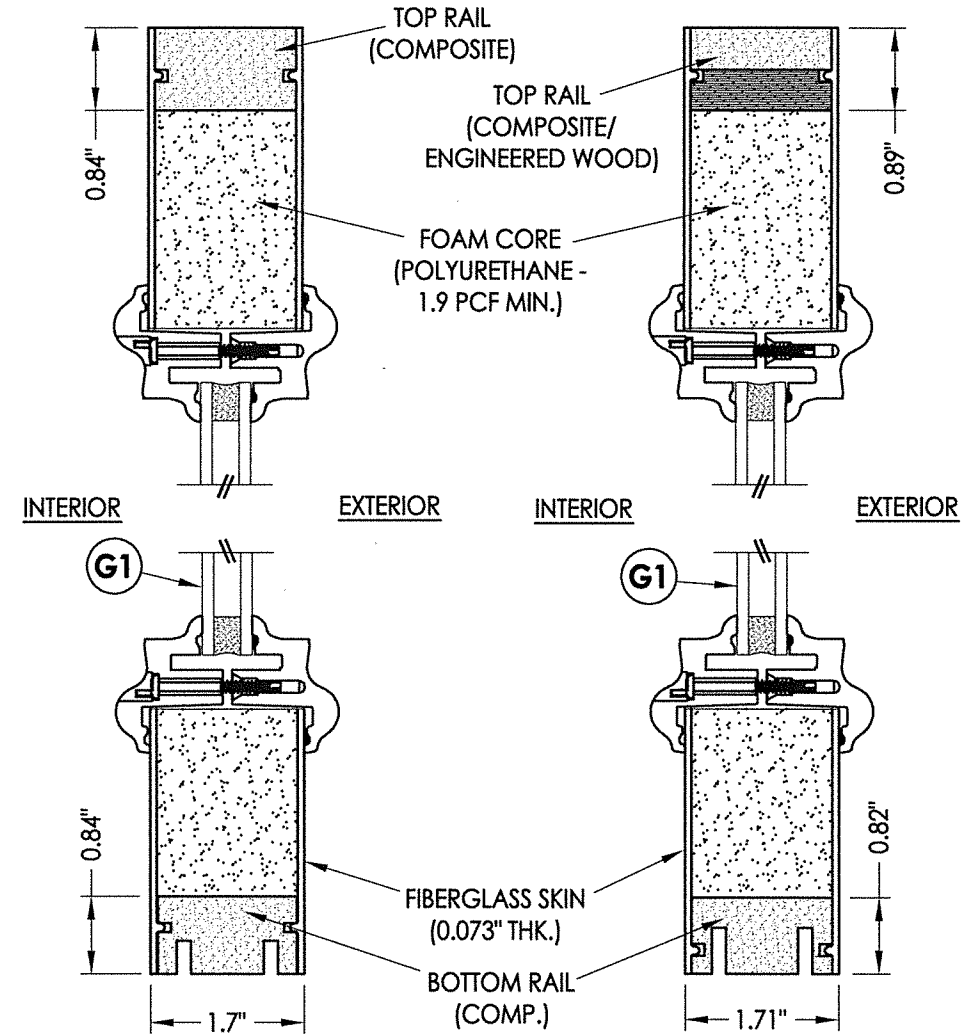
Documents Prepared By: Lyndon F. Schmidt, P.E.
TEXAS P.E. #104123
RW BUILDING CONSULTANTS, INC.
P.O. Box 230 Valrico FL 33595
Phone No.: 813.659.9197
TEXAS BOARD OF PROFESSIONAL ENGINEERS
CERTIFICATE OF REGISTRATION # F-11852



40 DOOR PANEL
BOOK

41 DOOR PANEL
Hybrid Door

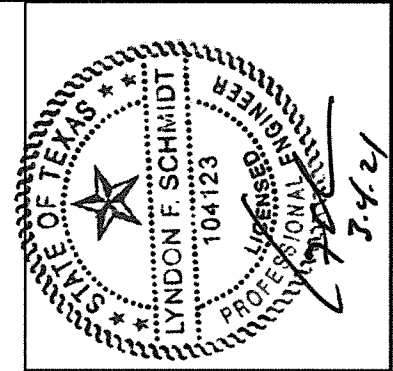
42 DOOR PANEL
U1 Door



3 **VERTICAL CROSS SECTION**
2 WOOD EDGE

4 **VERTICAL CROSS SECTION**
2 COMPOSITE EDGE

PRODUCT: THERMA-TRU FIBERGLASS DOOR	
PART OR ASSEMBLY:	DOOR PANEL DETAILS
NO.	DATE
BY	REVISIONS
DATE: 1/06/21	
SCALE: N.T.S.	
DWG. BY: RW	
CHK. BY: LFS	
DRAWING NO.: TX-5140	
SHEET 2 OF 11	



Documents Prepared By: Lyndon F. Schmidt, P.E.
TEXAS P.E. #104123

RW BUILDING CONSULTANTS, INC.
P.O. Box 230 Valrico FL 33595
Phone No.: 813.659.9197

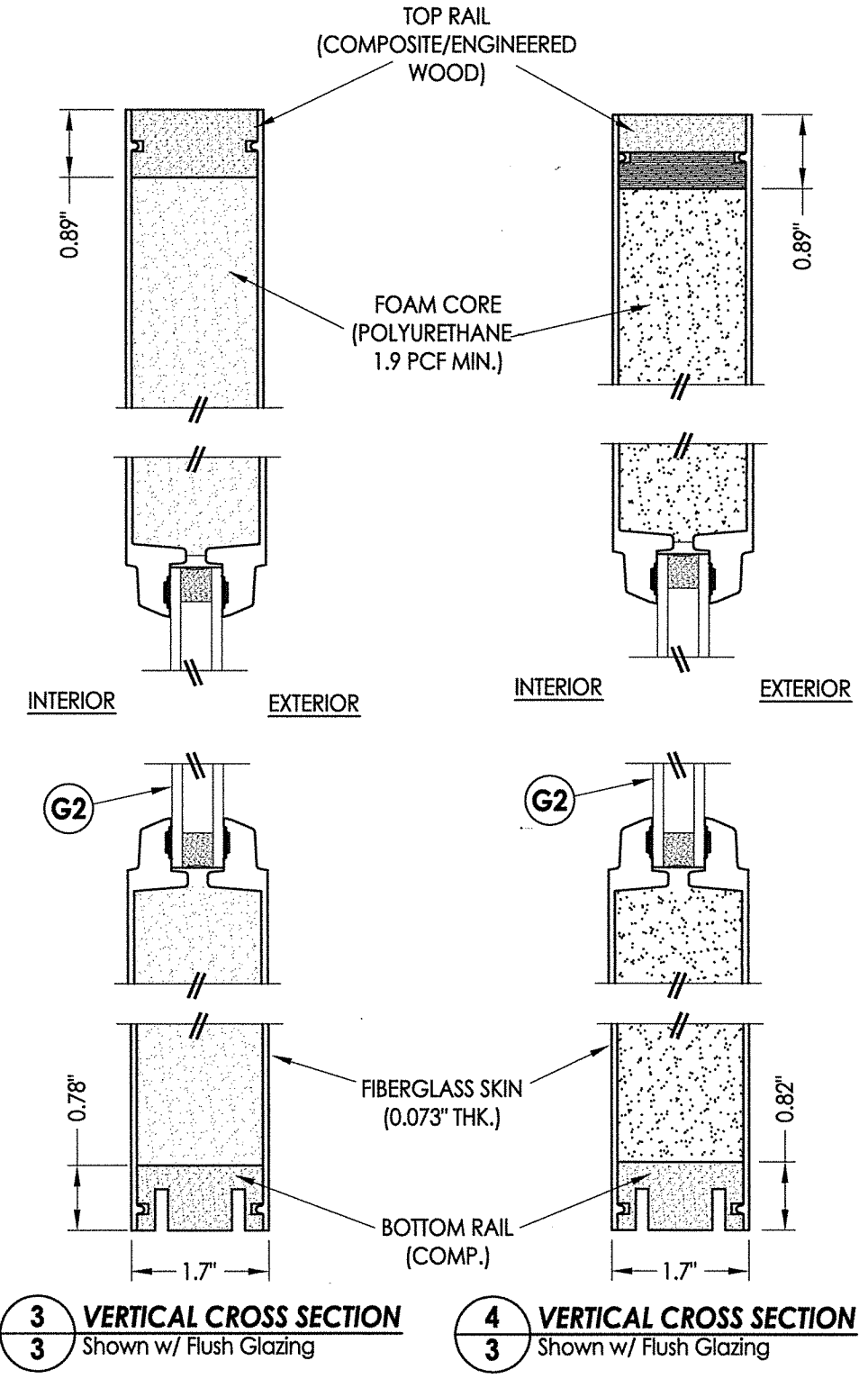
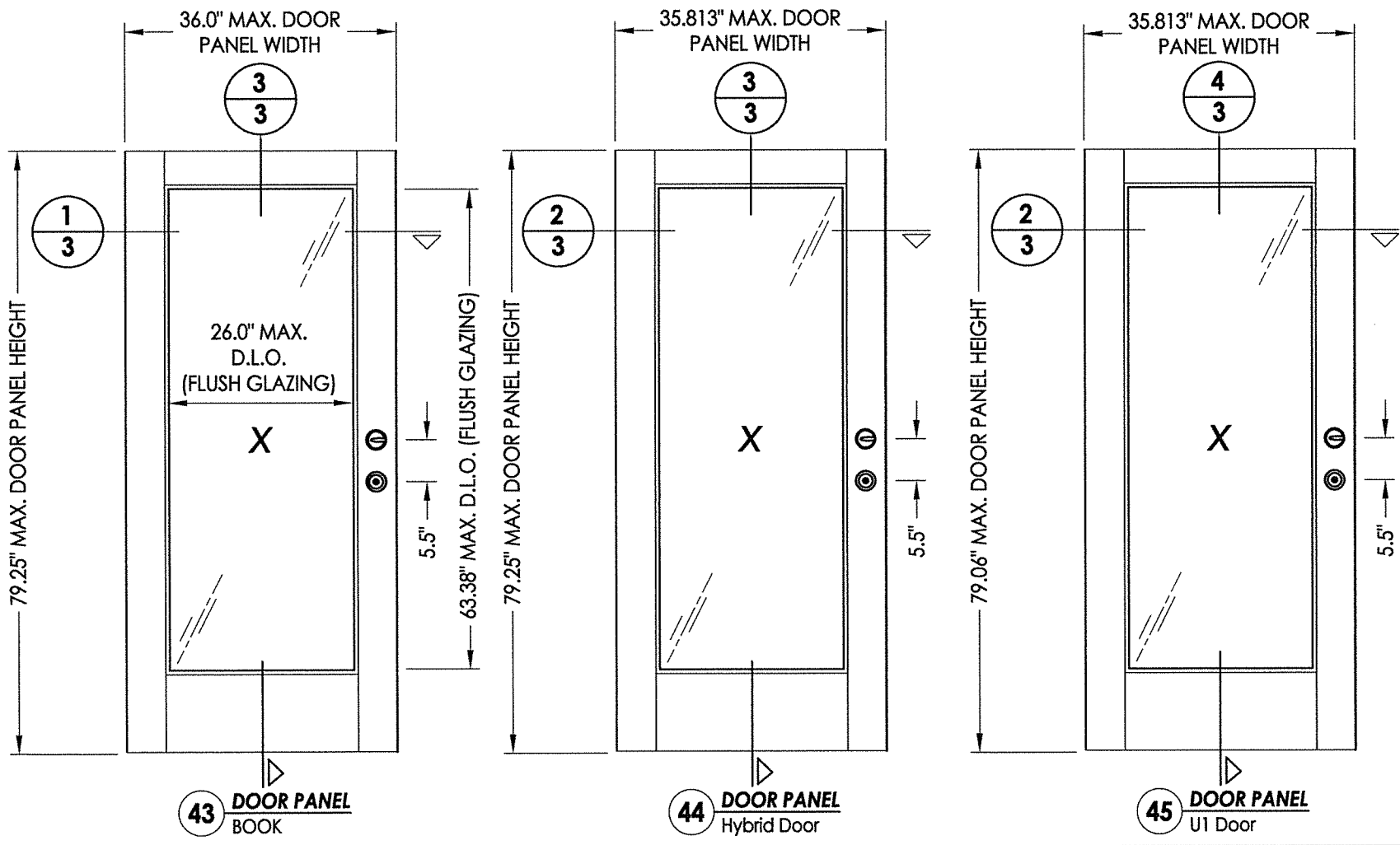
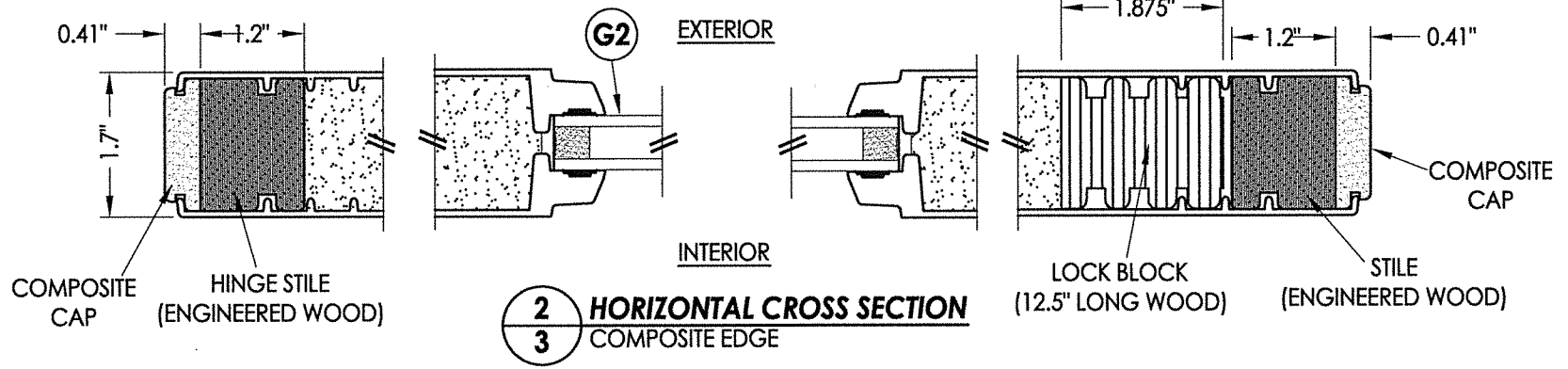
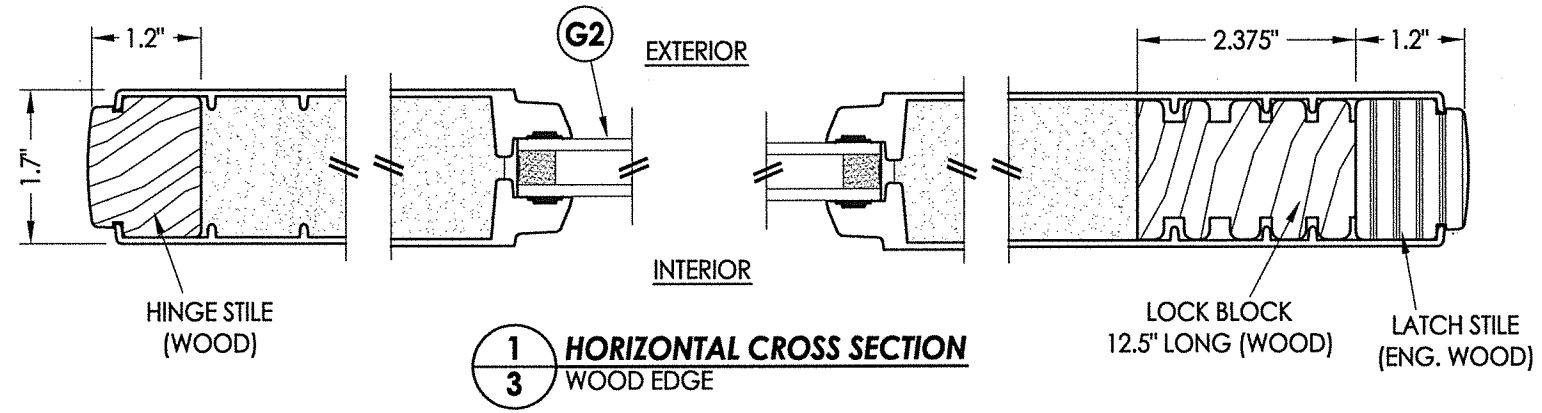
TEXAS BOARD OF PROFESSIONAL ENGINEERS
CERTIFICATE OF REGISTRATION # F-11852

PRODUCT: THERMA-TRU FIBERGLASS DOOR

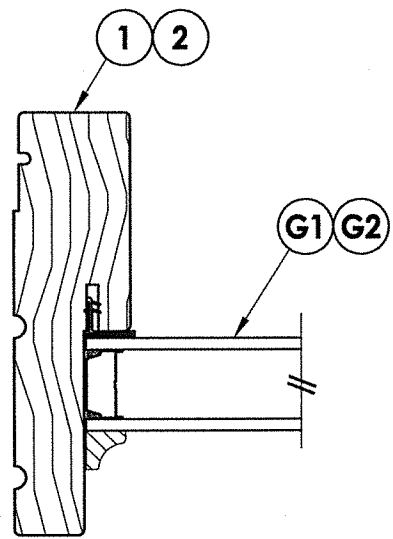
PART OR ASSEMBLY: DOOR PANEL DETAILS

NO.	DATE	BY	REVISIONS

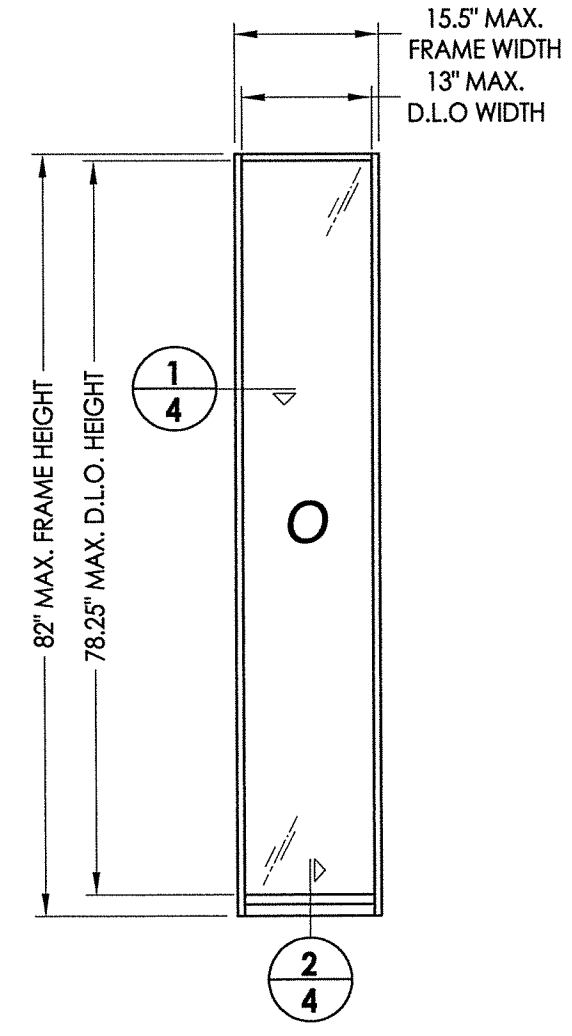
DATE: 1/06/21
SCALE: N.T.S.
DWG. BY: RW
CHK. BY: LFS
DRAWING NO.: TX-5140
SHEET 3 OF 11



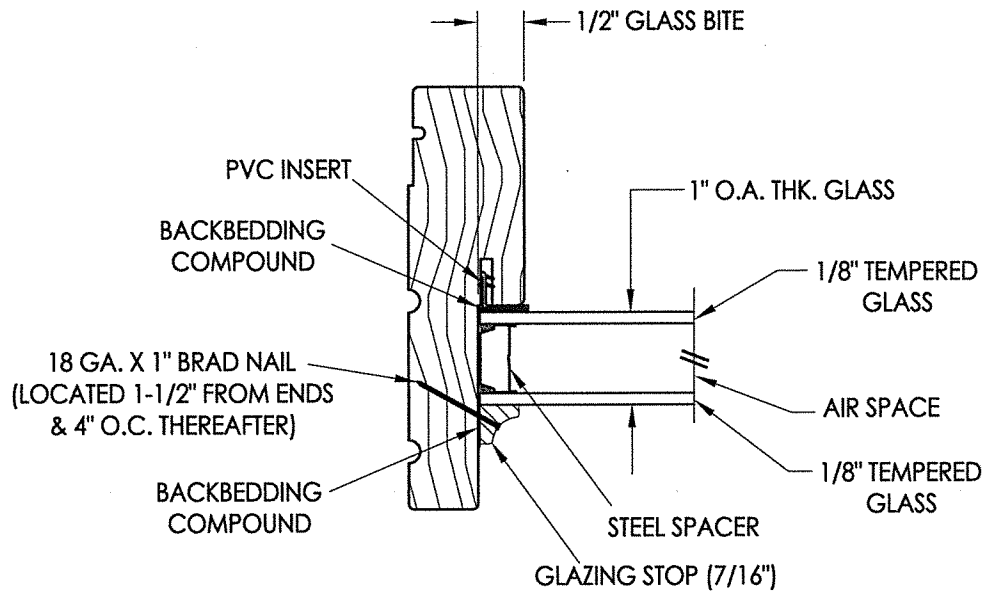
Z:\Clients\Therma Tru PERMANENT\B - Texas Dept of Ins\TDI - DR XXX - 6'8, 7' & 8' Glazed FG NonImp IS Dir Set Sidelites (TX 5140-5145)\C - Drawings\TX-5140-41.dwg



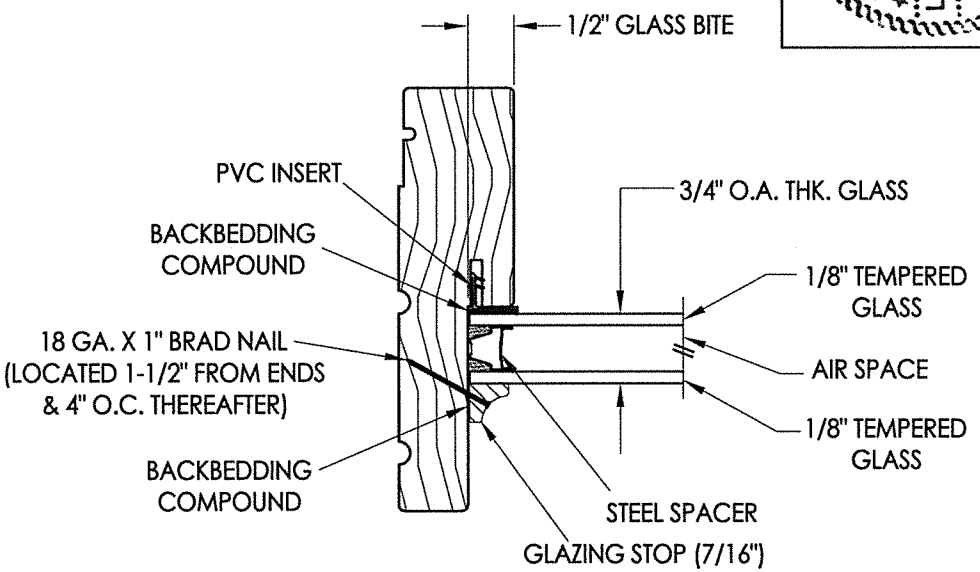
1
4 HORIZONTAL CROSS SECTION



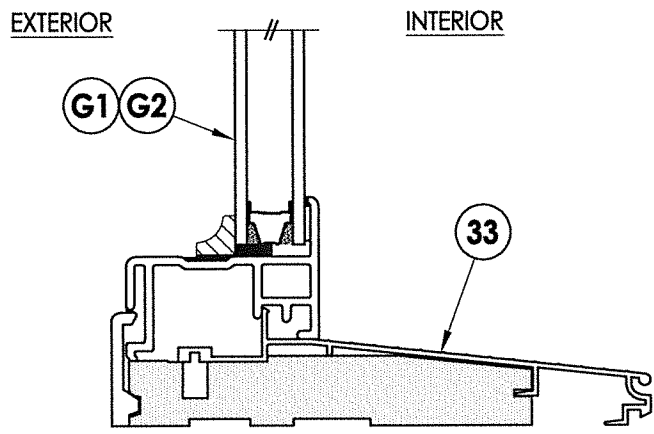
50 DIRECT SET SIDELITE FRAME



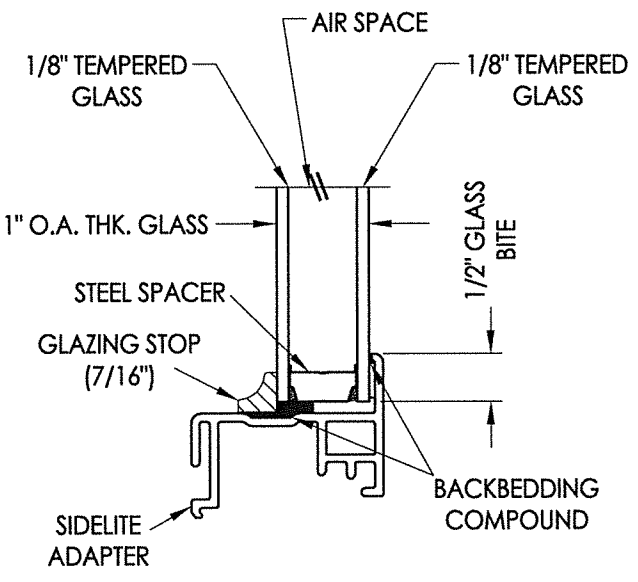
G1 GLAZING DETAIL
1" Insulated Glass



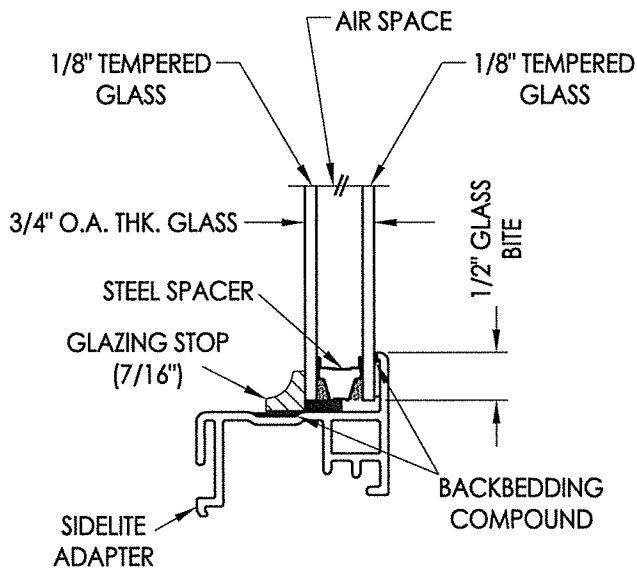
G2 GLAZING DETAIL
3/4" Insulated Glass



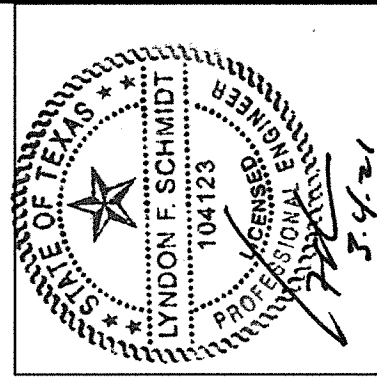
2
4 VERTICAL CROSS SECTION



G1 GLAZING DETAIL
1" Insulated Glass



G2 GLAZING DETAIL
3/4" Insulated Glass



Documents Prepared By: Lyndon F. Schmidt, P.E.
TEXAS P.E. #104123

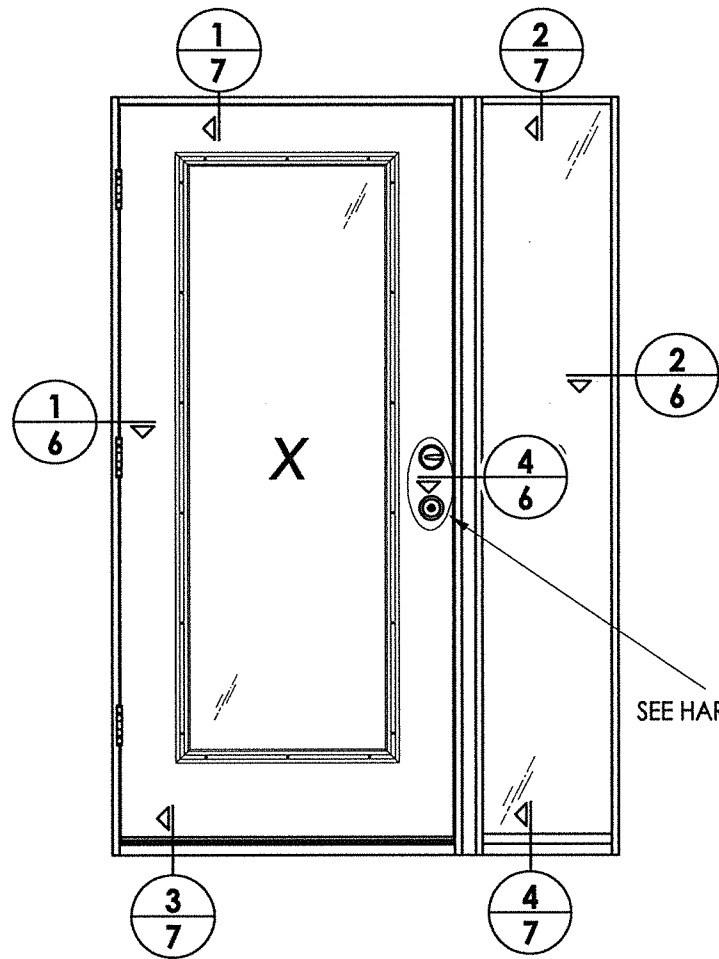
RW BUILDING CONSULTANTS, INC.
P.O. Box 230 Vaivrico FL 33595
Phone No.: 813.659.9197

TEXAS BOARD OF PROFESSIONAL ENGINEERS
CERTIFICATE OF REGISTRATION # F-11652

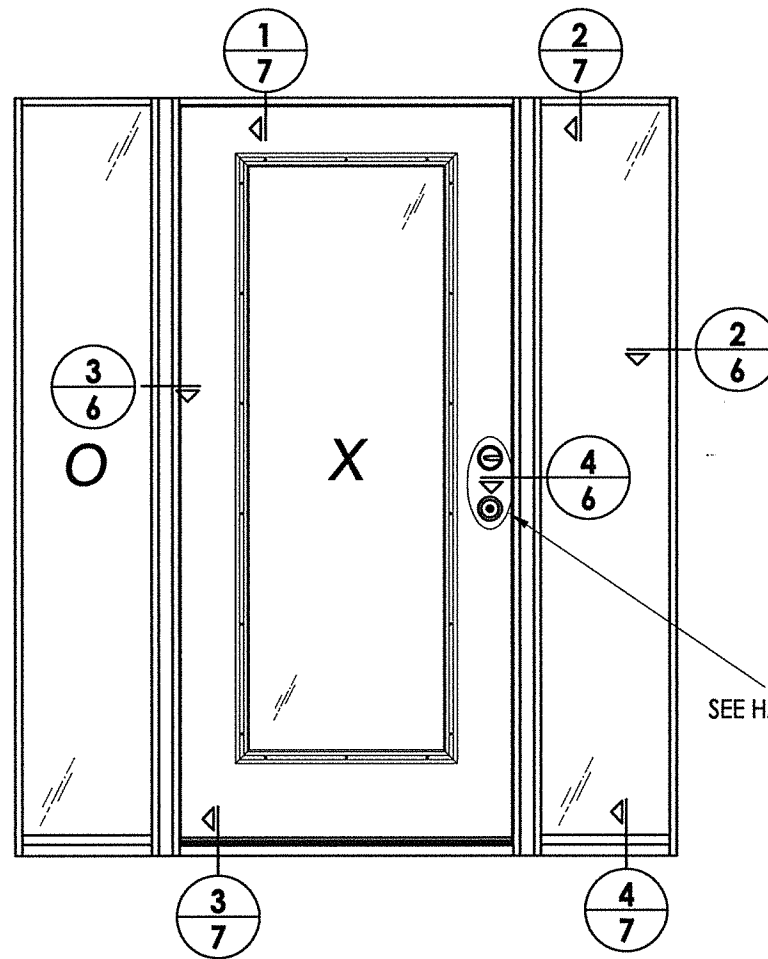
PRODUCT: THERMA-TRU FIBERGLASS DOOR
PART OR ASSEMBLY: SIDELITE PANEL DETAILS

NO.	DATE	BY	REVISIONS

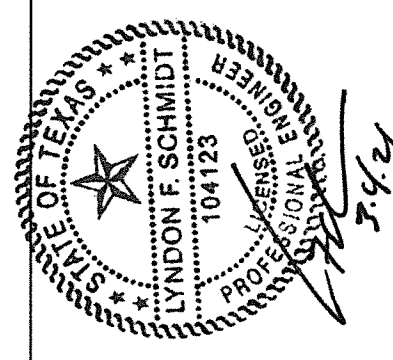
DATE: 1/06/21
SCALE: N.T.S.
DWG. BY: RW
CHK. BY: LFS
DRAWING NO.: TX-5140
SHEET 4 OF 11



ELEVATION
XO



ELEVATION
OXO

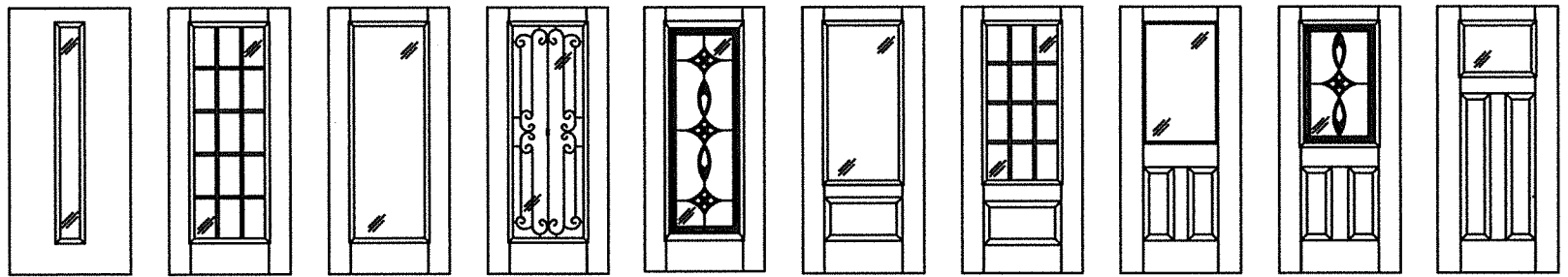


Documents Prepared By: Lyndon F. Schmidt, P.E.
TEXAS P.E. #104123

RW BUILDING CONSULTANTS, INC.
P.O. Box 230 Vairico FL 33595
Phone No.: 813.659.9197
TEXAS BOARD OF PROFESSIONAL ENGINEERS
CERTIFICATE OF REGISTRATION # F-11852

PRODUCT: THERMA-TRU
FIBERGLASS DOOR

PART OR ASSEMBLY:
ELEVATIONS



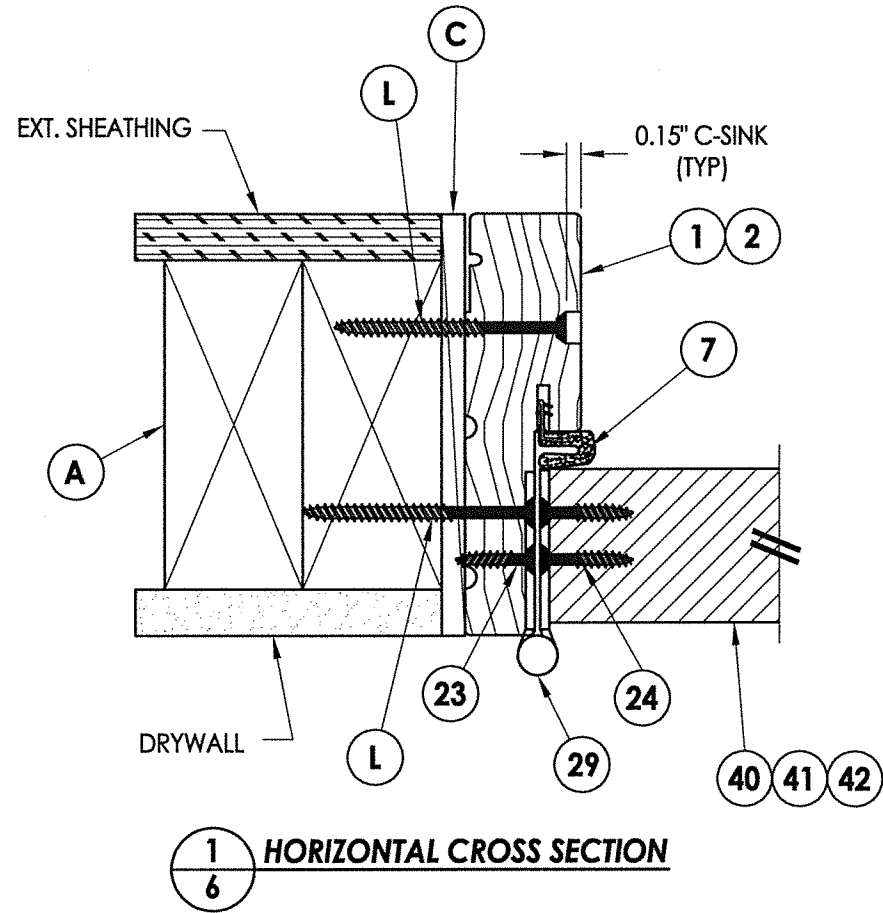
Fiber-Classic/Smooth-Star Door Panel Options
Panel options shown are for illustration and are representative only
(similar glazed panel configurations are allowed)

HARDWARE TABLE	
MANUFACTURER	MODEL
SCHLAGE	KNOB: F51
	DEADBOLT: B60
KWIKSET	KNOB: SIGNATURE SERIES
	DEADBOLT: SIGNATURE SERIES (980)

REVISIONS		
NO.	DATE	BY

DATE: 1/06/21
SCALE: N.T.S.
DWG. BY: RW
CHK. BY: LFS
DRAWING NO.: TX-5140
SHEET 5 OF 11

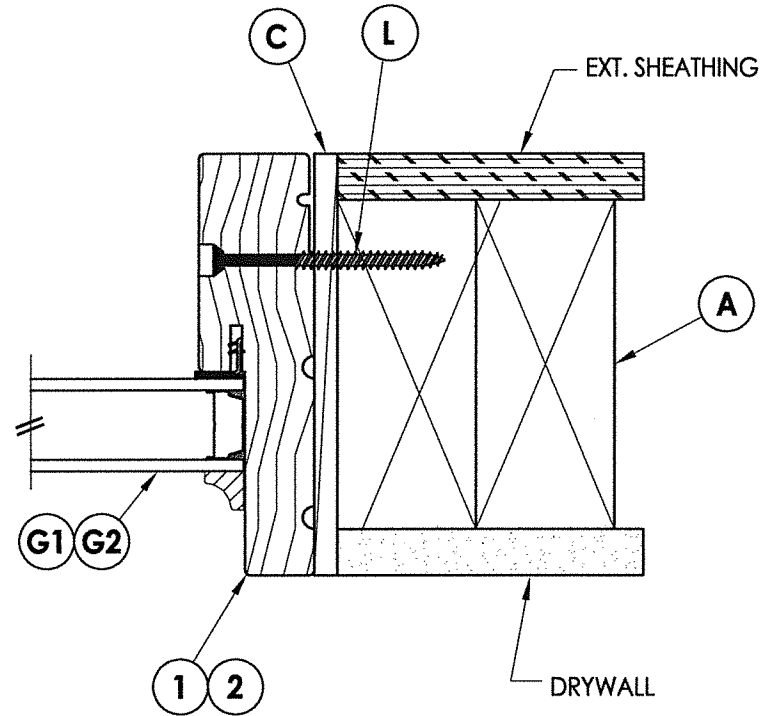
Z:\Clients\Therma Tru PERMANENT\B - Texas Dept of Ins\TDI - DR XXX - 6'8, 7' & 8' Glazed FG NonImp IS Dir Set Sidelites (TX 5140-5145)\C - Drawings\TX-5140-41.dwg



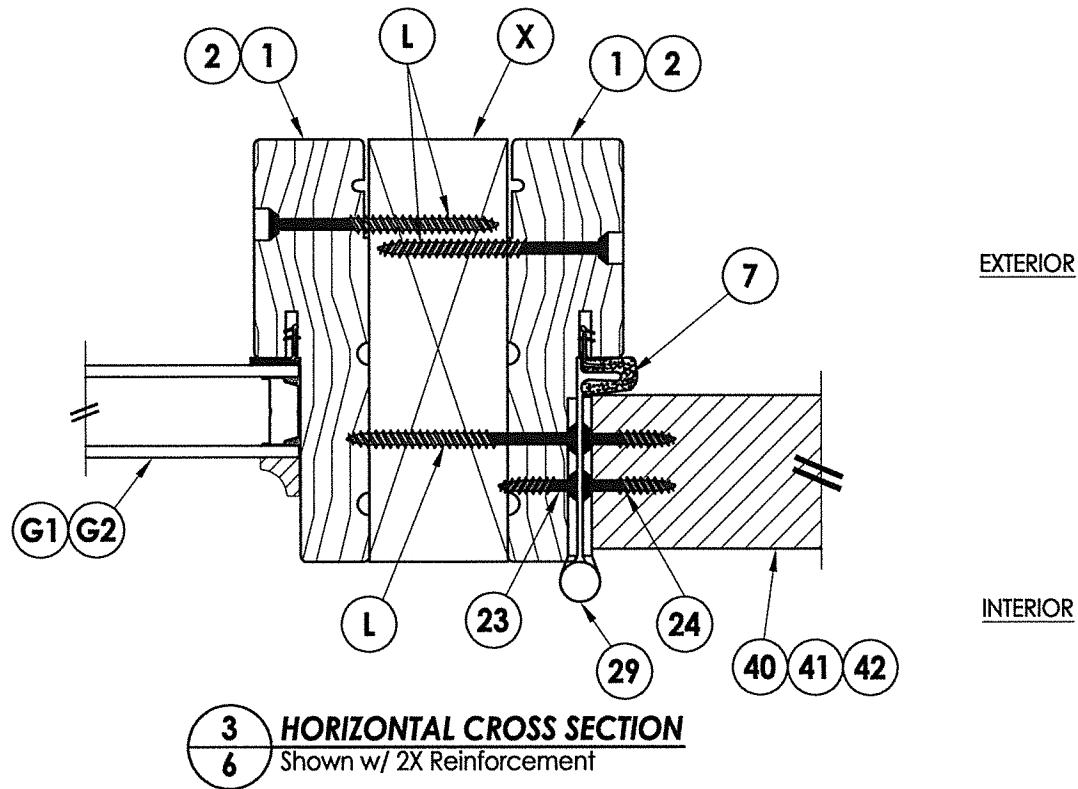
1
6 HORIZONTAL CROSS SECTION

EXTERIOR

INTERIOR



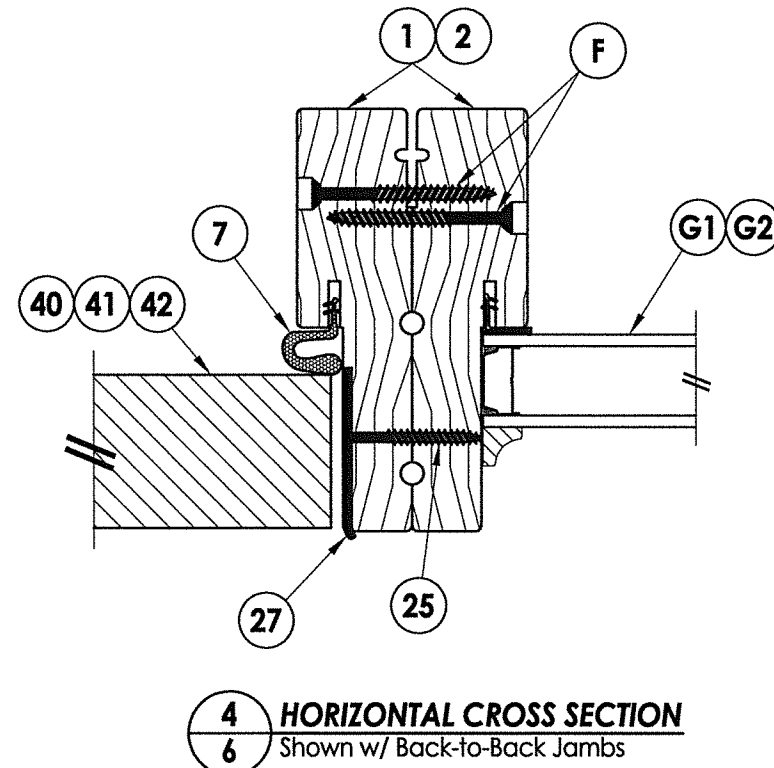
2
6 HORIZONTAL CROSS SECTION



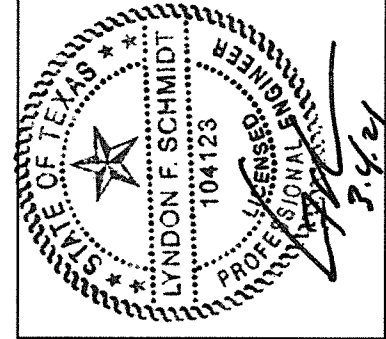
3
6 HORIZONTAL CROSS SECTION
Shown w/ 2X Reinforcement

EXTERIOR

INTERIOR



4
6 HORIZONTAL CROSS SECTION
Shown w/ Back-to-Back Jambes



Documents Prepared By: Lyndon F. Schmidt, P.E.
TEXAS P.E. #104123

RW BUILDING CONSULTANTS, INC.
P.O. Box 230 Valrico FL 33595
Phone No.: 813.659.9197

TEXAS BOARD OF PROFESSIONAL ENGINEERS
CERTIFICATE OF REGISTRATION # F-11852

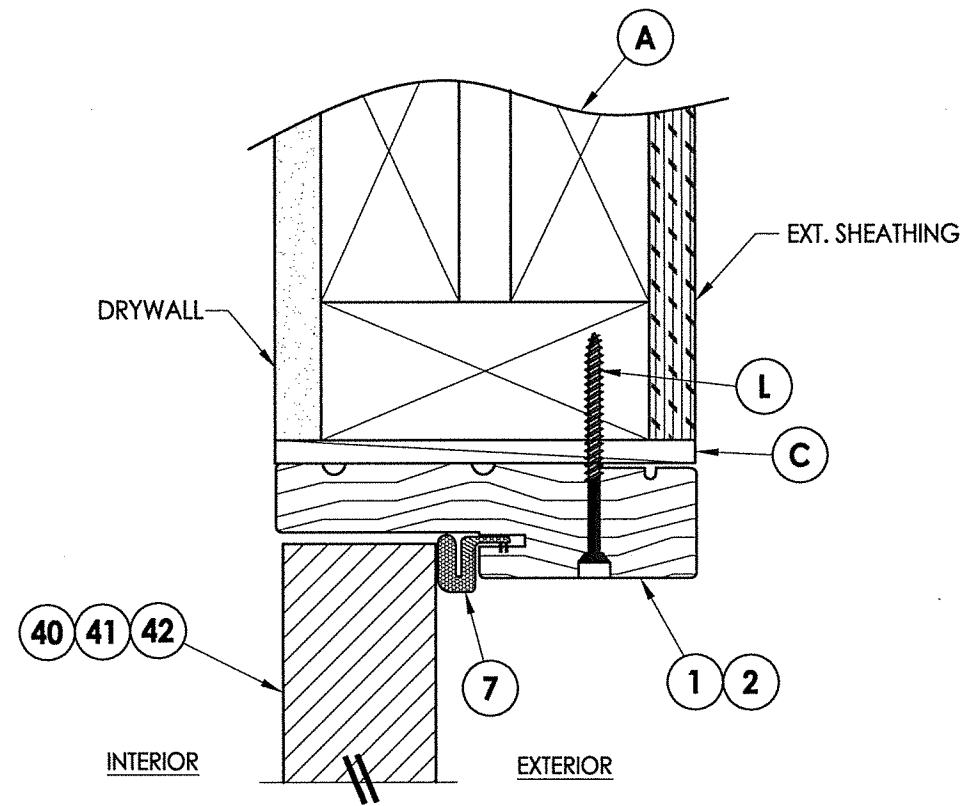
PRODUCT: THERMA-TRU
FIBERGLASS DOOR

PART OR ASSEMBLY:
HORIZONTAL
CROSS SECTIONS

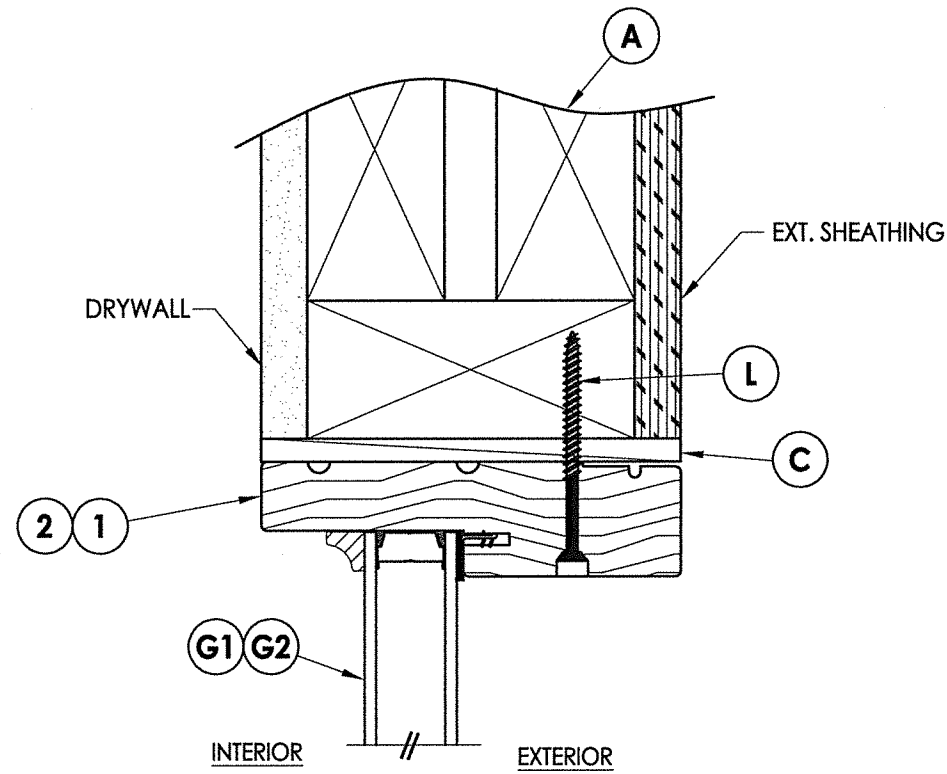
NO.	DATE	BY	REVISIONS

DATE: 1/06/21
SCALE: N.T.S.
DWG. BY: RW
CHK. BY: LFS
DRAWING NO.: TX-5140
SHEET 6 OF 11

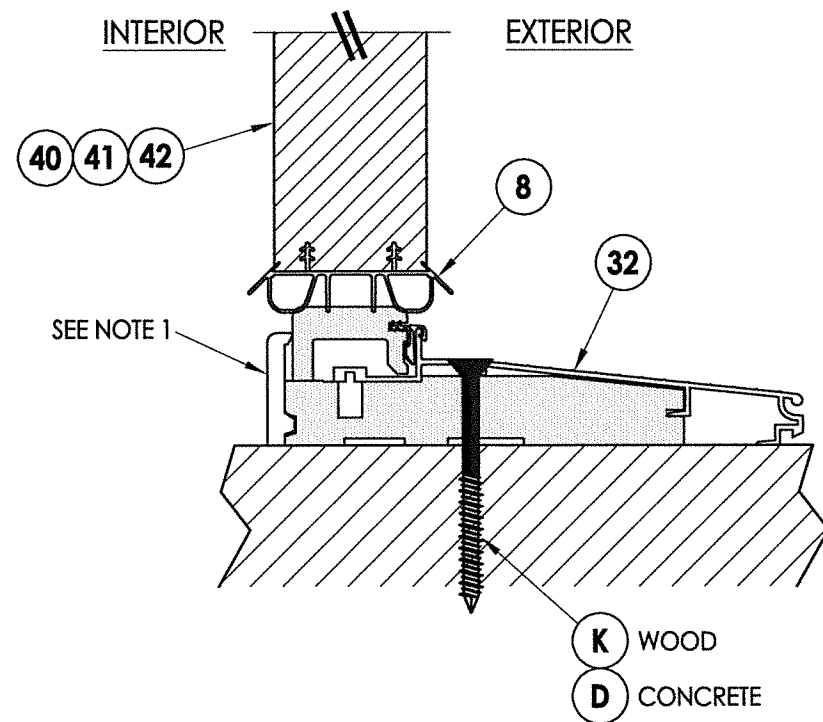
Z:\Clients\Therma Tru PERMANENT\B - Texas Dept of Ins\TDI - DR XXX - 6'8, 7' & 8' Glazed FG NonImp IS Dir-Set Sidelites (TX 5140-5145)\C - Drawings\TX-5140-41.dwg



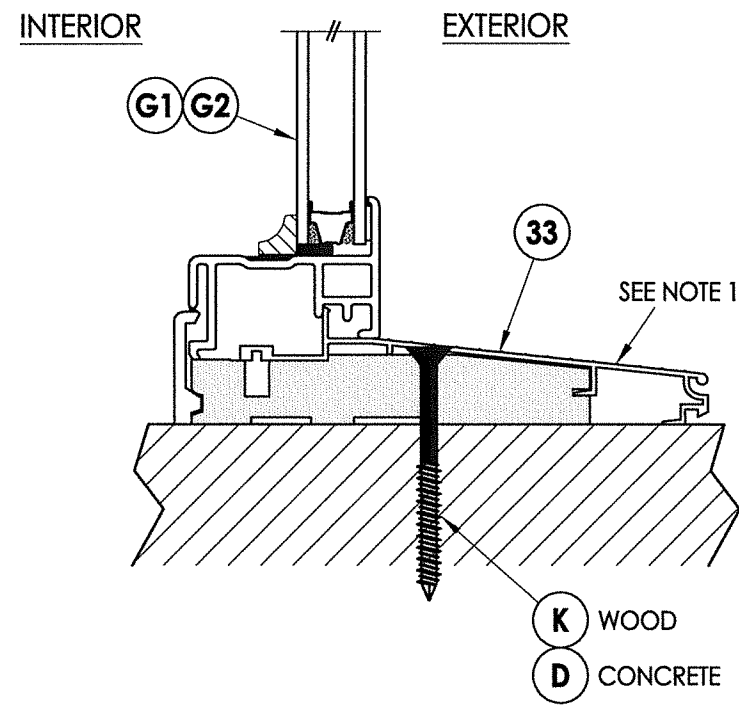
1
7 VERTICAL CROSS SECTION



2
7 VERTICAL CROSS SECTION

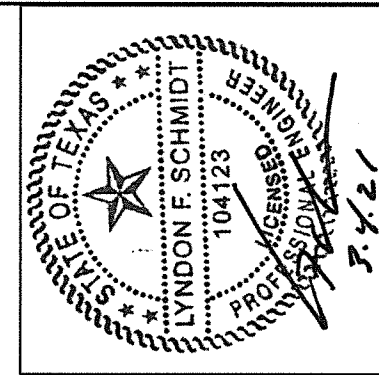


3
7 VERTICAL CROSS SECTION
Inswing Sill



4
7 VERTICAL CROSS SECTION
Inswing Sill

Note:
1. Sill Item #'s 32 & 33 are attached to jambs w/ (3) #8 X 2-1/2" FH screws at each end.



Documents Prepared By: Lyndon F. Schmidt, P.E.
TEXAS P.E. #104123

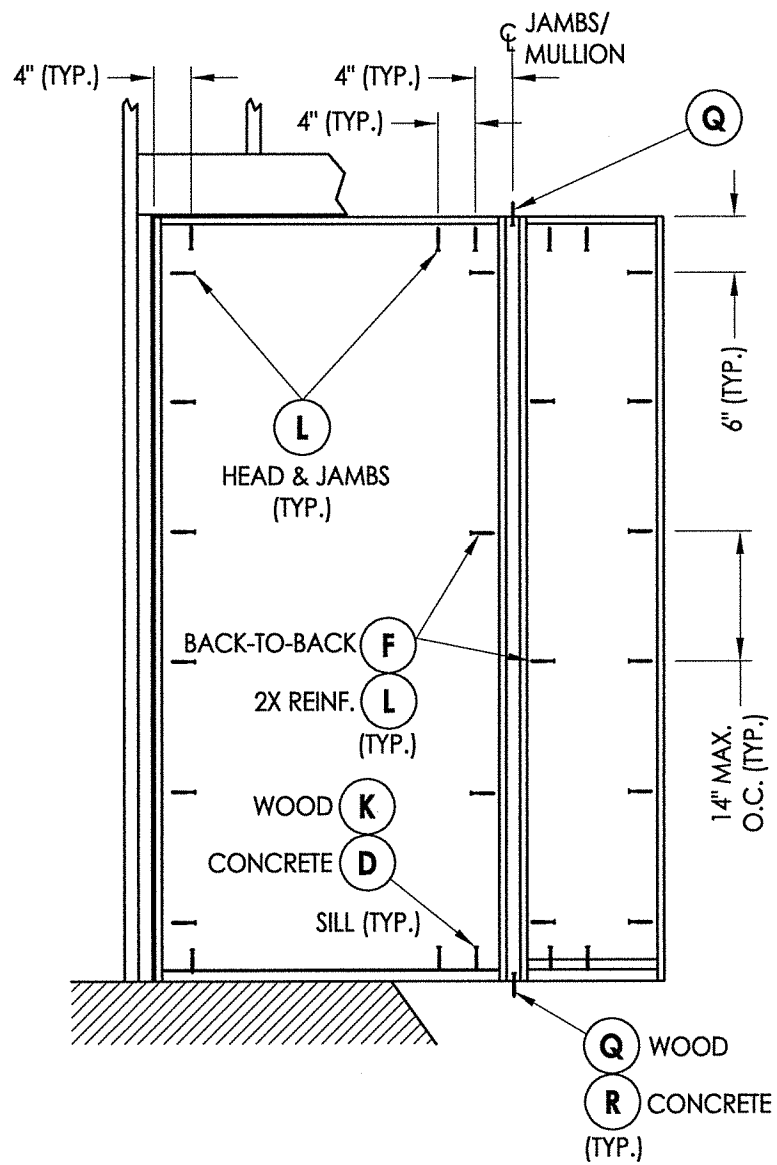
RW BUILDING CONSULTANTS, INC.
P.O. Box 230 Valrico FL 33595
Phone No.: 813.659.9197
TEXAS BOARD OF PROFESSIONAL ENGINEERS
CERTIFICATE OF REGISTRATION # F-11852

PRODUCT: THERMA-TRU FIBERGLASS DOOR
PART OR ASSEMBLY: VERTICAL CROSS SECTIONS

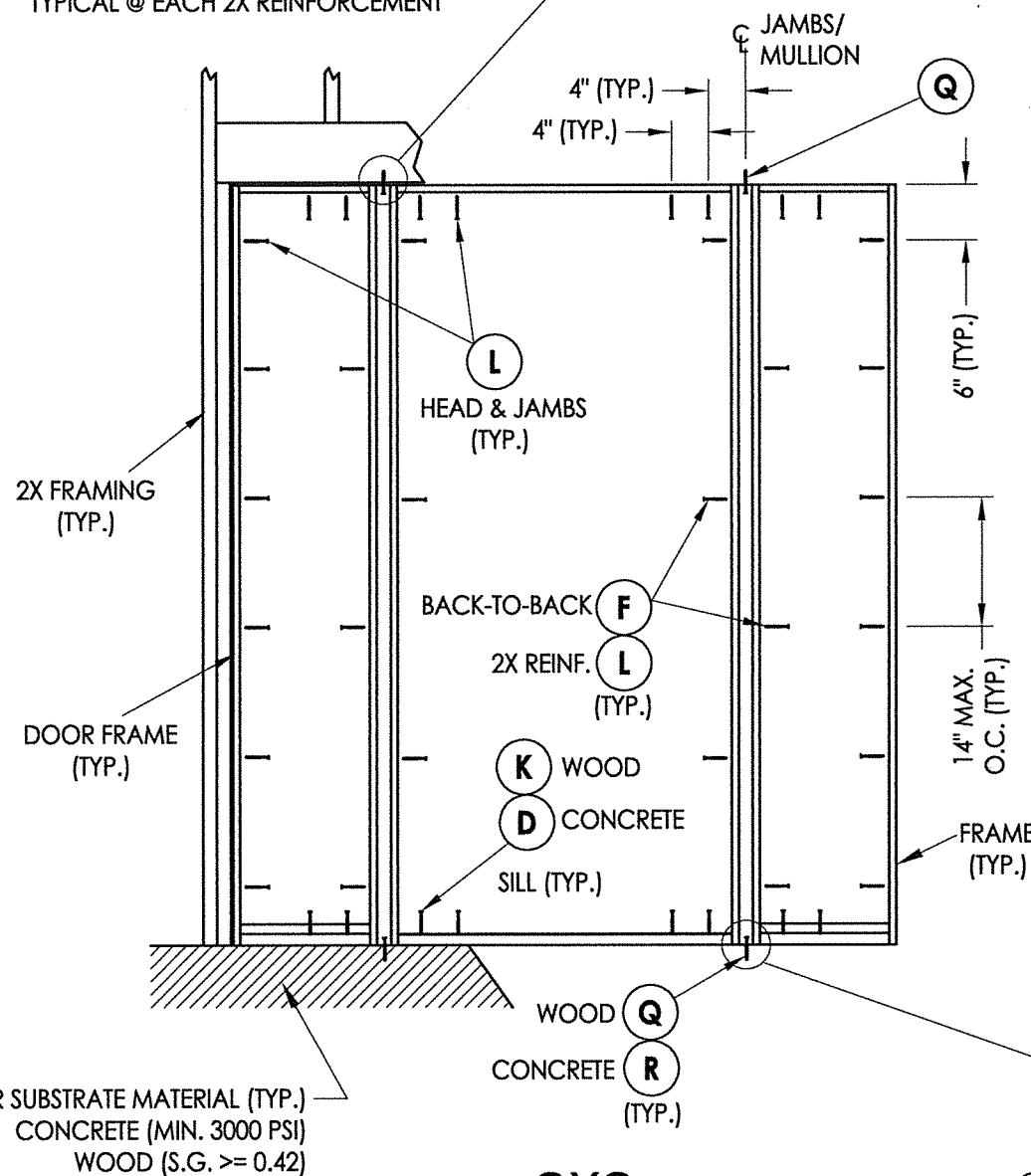
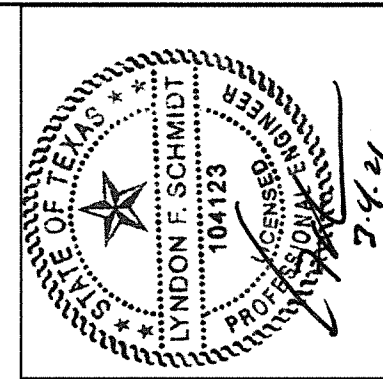
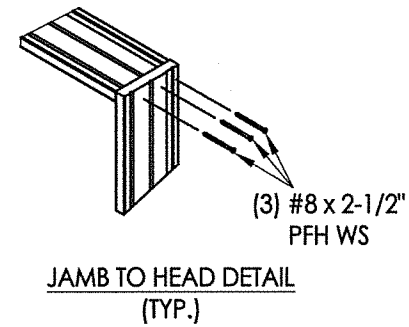
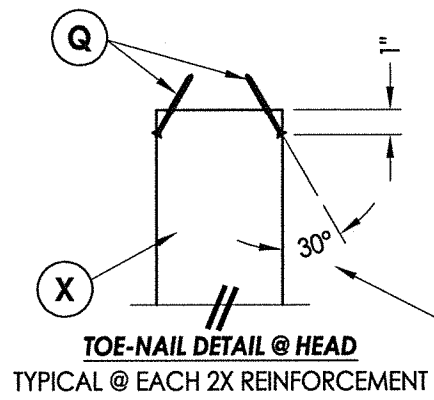
NO.	DATE	BY	REVISIONS

DATE: 1/06/21
SCALE: N.T.S.
DWG. BY: RW
CHK. BY: LFS
DRAWING NO.: TX-5140
SHEET 7 OF 11

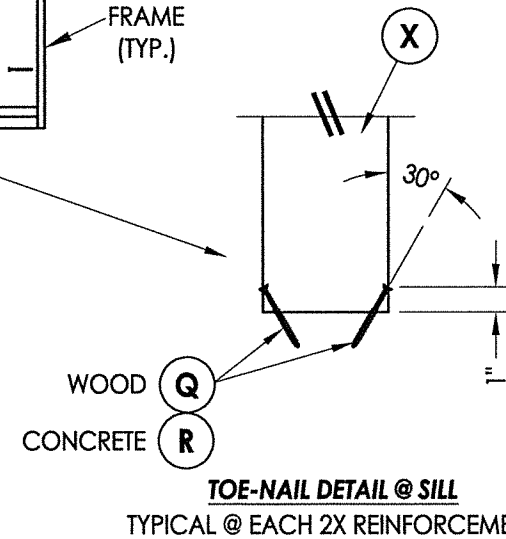
Z:\Clients\Therma Tru PERMANENT\B - Texas Dept of Ins\TDI - DR XXX - 6'8, 7' & 8' Glazed FG NonImp IS Dir Set Sidelites (TX 5140-5145)\C - Drawings\TX-5140-41.dwg



XO/OX



OXO



FRAME ANCHORING

FLOOR SUBSTRATE MATERIAL (TYP.)
CONCRETE (MIN. 3000 PSI)
WOOD (S.G. >= 0.42)

Documents Prepared By: Lyndon F. Schmidt, P.E.
TEXAS P.E. #104123

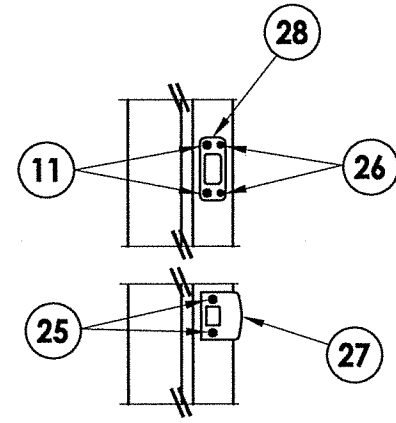
RW BUILDING CONSULTANTS, INC.
P.O. Box 230 Valrico FL 33595
Phone No.: 813.659.9197

TEXAS BOARD OF PROFESSIONAL ENGINEERS
CERTIFICATE OF REGISTRATION # F-11852

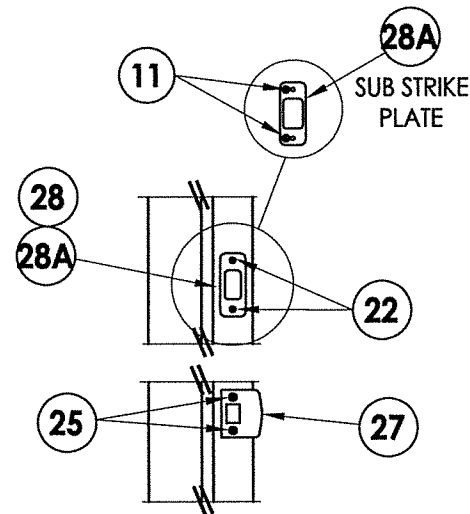
PRODUCT: THERMA-TRU FIBERGLASS DOOR
PART OR ASSEMBLY: FRAME ANCHORING

NO.	DATE	BY	REVISIONS

DATE: 1/06/21
SCALE: N.T.S.
DWG. BY: RW
CHK. BY: LFS
DRAWING NO.: TX-5140
SHEET 8 OF 11

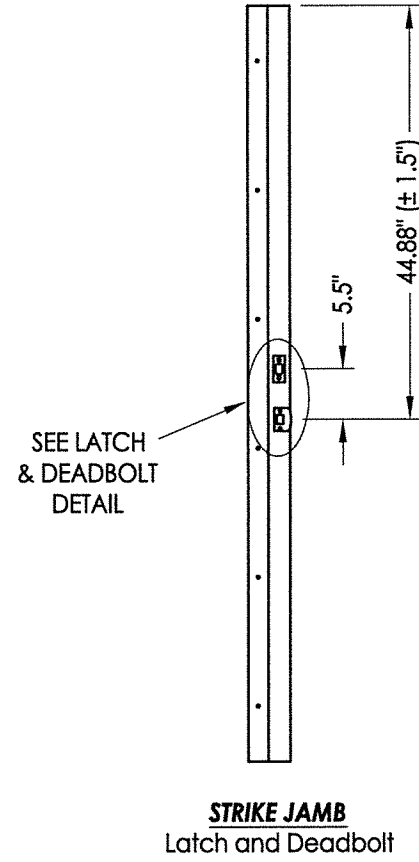


LATCH & DEADBOLT DETAIL
Kwikset

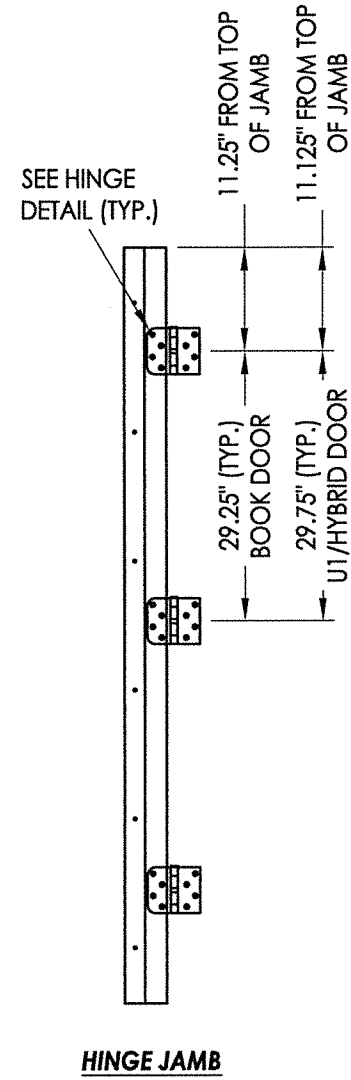


LATCH & DEADBOLT DETAIL
Schlage

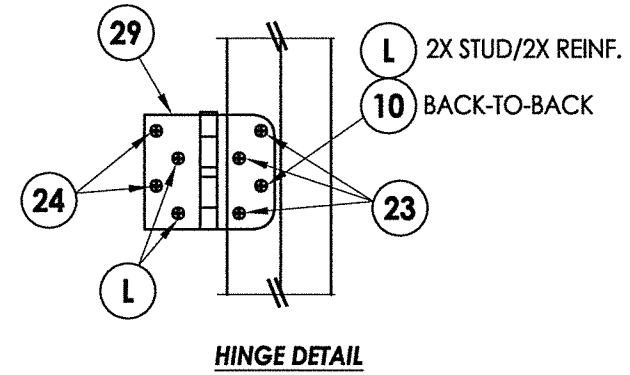
LATCH & DEADBOLT STRIKE DETAILS



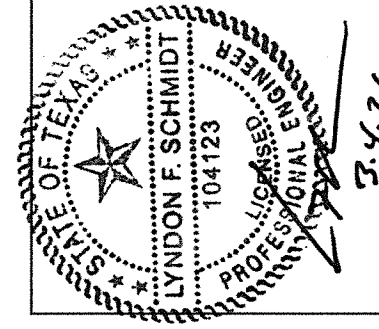
STRIKE JAMB
Latch and Deadbolt



HINGE JAMB



HINGE DETAIL



Documents Prepared By: Lyndon F. Schmidt, P.E.
TEXAS P.E. #104123

RW BUILDING CONSULTANTS, INC.
P.O. Box 230 Valrico FL 33595
Phone No.: 813.659.9197
TEXAS BOARD OF PROFESSIONAL ENGINEERS
CERTIFICATE OF REGISTRATION # F-11852

PRODUCT: THERMA-TRU
FIBERGLASS DOOR

PART OR ASSEMBLY:
HARDWARE DETAILS

NO.	DATE	BY	REVISIONS

DATE: 1/06/21

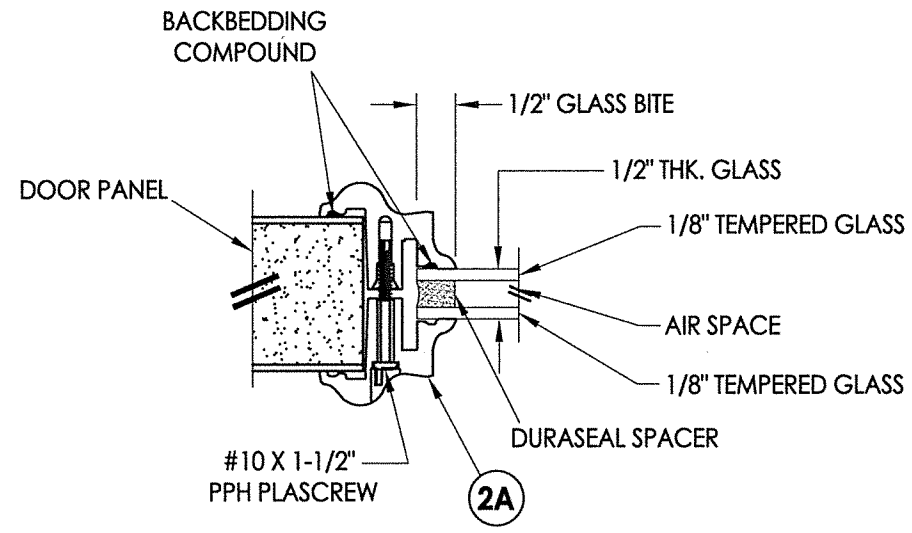
SCALE: N.T.S.

DWG. BY: RW

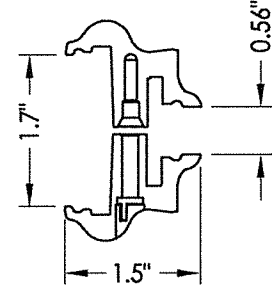
CHK. BY: LFS

DRAWING NO.:
TX-5140

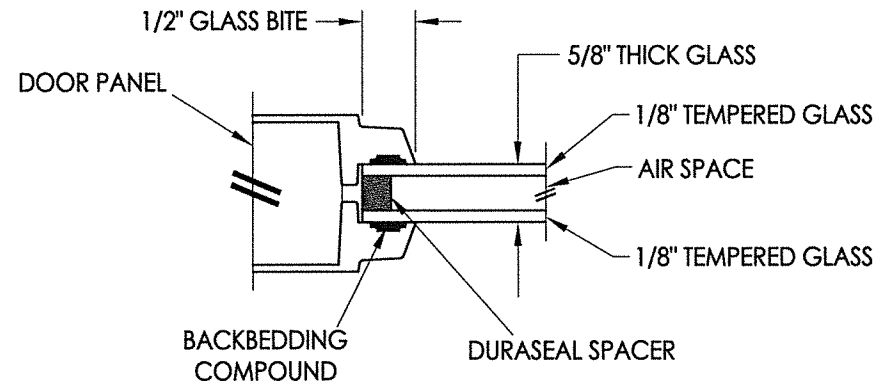
SHEET 9 OF 11



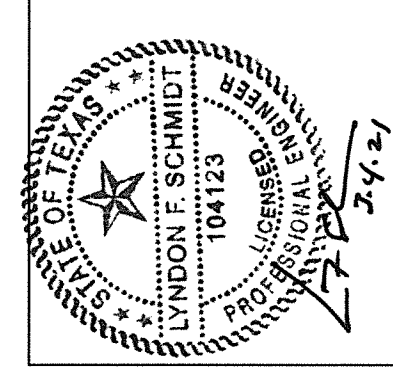
G1 GLAZING DETAIL
BTS Lite Frame
Door Panels



2A BTS LITE FRAME
1/2" Glazing



G2 GLAZING DETAIL
Flush Glazing
Door Panels



Documents Prepared By: Lyndon F. Schmidt, P.E.
TEXAS P.E. #104123

RW BUILDING CONSULTANTS, INC.
P.O. Box 230 Valrico FL 33595
Phone No.: 813.659.9197

TEXAS BOARD OF PROFESSIONAL ENGINEERS
CERTIFICATE OF REGISTRATION # F-11852

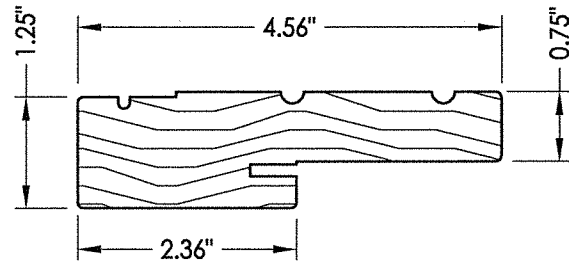
PRODUCT: THERMA--TRU
FIBERGLASS DOOR

PART OR ASSEMBLY:
GLAZING DETAILS

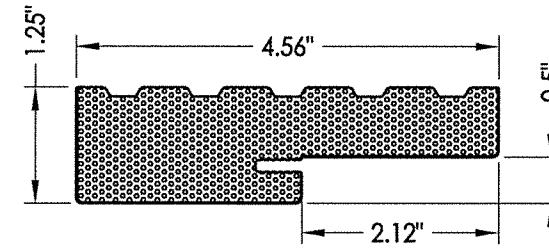
NO.	DATE	BY	REVISIONS

DATE: 1/06/21
SCALE: N.T.S.
DWG. BY: RW
CHK. BY: LFS
DRAWING NO.: TX-5140
SHEET 10 OF 11

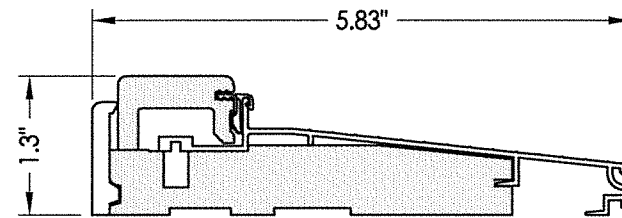
BILL OF MATERIALS		
ITEM #	DESCRIPTION	MATERIAL
B	2X BUCK (G >= 0.42)	WOOD
C	1/4" MAX. SHIM SPACE	-
D	1/4" PFH DeWALT OR ITW CONCRETE SCREW	STEEL
F	#10 X 2" PFH WOOD SCREW	STEEL
L	#10 X 2-1/2" PFH WOOD SCREW (1.15" MIN. EMBEDMENT)	STEEL
Q	#10 X 3" PFH WOOD SCREW (1.75" MIN. EMBEDMENT)	STEEL
R	3/16" X 3-1/4" ITW CONCRETE SCREW	STEEL
X	2X REINFORCEMENT (SG = 0.55)	WOOD
1	WOOD JAMB (FINGER JOINT PINE)	WOOD
2	COMPOSITE JAMB	COMP
7	WEATHERSTRIP	FOAM
8	DOOR SWEEP	VINYL
10	#10 X 1-1/2" PFH WOOD SCREW	STEEL
11	#12 X 1-1/2" PFH WOOD SCREW	STEEL
22	#8 X 3/4" PFH WOOD SCREW	STEEL
23	#9 X 3/4" PFH WOOD SCREW	STEEL
24	#9 X 1" PFH WOOD SCREW	STEEL
25	#8 X 1-1/2" PFH WOOD SCREW	STEEL
26	#8 X 5/8" PFH WOOD SCREW	STEEL
27	LATCH STRIKE PLATE	STEEL
28	DEADBOLT STRIKE PLATE	STEEL
28A	DEADBOLT SUB STRIKE PLATE	STEEL
29	4" X 4" HINGE	STEEL
32	INSWING THRESHOLD	ALUM/COMP
33	INSWING THRESHOLD w/ SIDELITE ADAPTER	ALUM/COMP
40	DOOR PANEL (BOOK)	-
41	DOOR PANEL (HYBRID)	-
42	DOOR PANEL (U1)	-



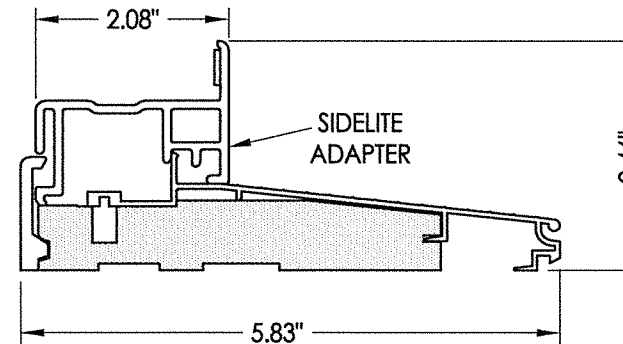
1 WOOD JAMB



2 COMPOSITE JAMB



32 INSWING THRESHOLD
Adjustable Composite Sill



33 INSWING THRESHOLD w/ SIDELITE ADAPTER
Composite Sill

CONCRETE ANCHOR NOTES:

- Concrete anchor locations at the corners may be adjusted to maintain the min. edge distance to mortar joints.
- Concrete anchor locations noted as "MAX. ON CENTER" must be adjusted to maintain the min. edge distance to mortar joints, additional concrete anchors may be required to ensure the "MAX. ON CENTER" dimension are not exceeded.
- Concrete anchor table:

ANCHOR TYPE	ANCHOR SIZE	MIN. EMBEDMENT	MIN. CLEARANCE TO MASONRY EDGE	MIN. CLEARANCE TO ADJACENT ANCHOR
ITW TAPCON®	1/4"	1-3/4"	2"	4"
DeWALT ULTRACON®	1/4"	1-3/4"	1"	4"
ITW TAPCON®	3/16"	1-1/4"	3"	1-1/2"

WOOD SCREW INSTALLATION NOTES:

- Maintain a minimum 5/8" edge distance, 1" end distance, & 1" o.c. spacing of wood screws to prevent the splitting of wood.



Documents Prepared By: Lyndon F. Schmidt, P.E.
TEXAS P.E. #104123

RW BUILDING CONSULTANTS, INC.
P.O. Box 230 Valrico FL 33595
Phone No.: 813.659.9197

TEXAS BOARD OF PROFESSIONAL ENGINEERS
CERTIFICATE OF REGISTRATION # F-11852

PRODUCT: THERMA-TRU
FIBERGLASS DOOR

PART OR ASSEMBLY:
BILL OF MATERIALS
& COMPONENTS

NO.	DATE	BY	REVISIONS

DATE: 1/06/21
SCALE: N.T.S.
DWG. BY: RW
CHK. BY: LFS
DRAWING NO.: TX-5140
SHEET 11 OF 11