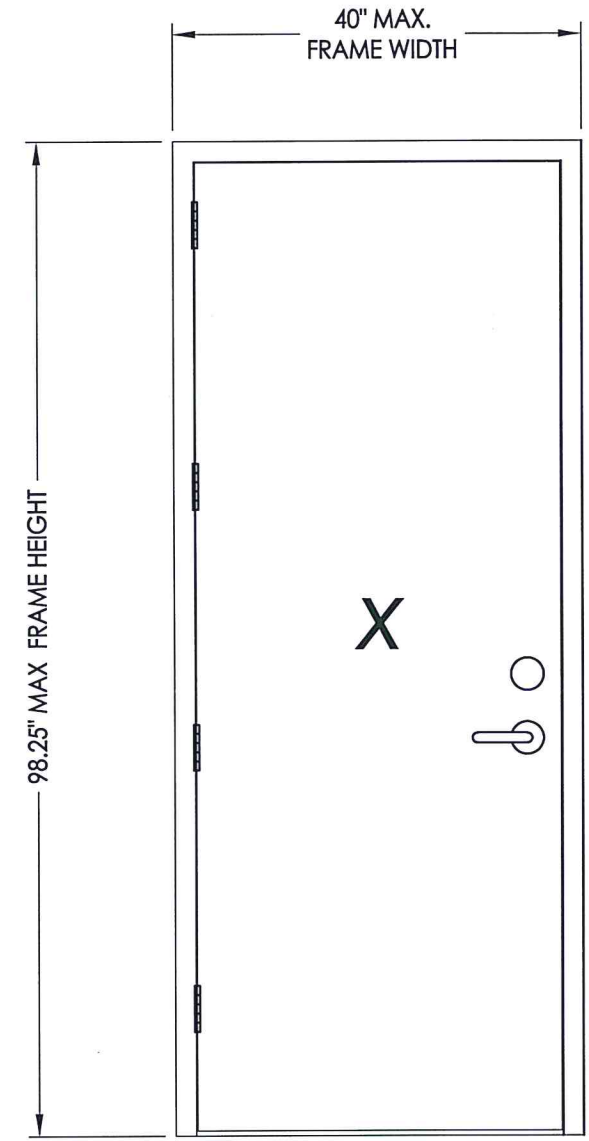




Dunbarton
CORPORATION

868 MURRAY ROAD, DOTHAN, AL 36303

**"REDIFRAME PD"
HOLLOW METAL FRAME
IN SWING/OUT SWING
"IMPACT"**



EVALUATED FOR USE IN THE STATE OF TEXAS

The Steel Door Frame system described herein complies with the 2018 International Residential Code (IRC), Sections R301 & R609 and the 2018 International Building Code (IBC), Sections 1404.13, 1609, 1709.5, 2403 and 2404 subject to the following conditions:

1. Anchors shall be as listed and spaced as shown in the details. Anchor embedment to base material shall be beyond wall dressing or stucco.
2. When used in areas requiring wind-borne debris protection, this system is required to be protected with an impact resistant covering that complies with Section R301.2.1.2 of the IRC and Section 1609.2 of the IBC.
3. Allowable design pressure requirements must be equal to or less than the design pressure rating shown in the design pressure chart, sheet 1 of this drawing.
4. Conditions not covered by this drawing are subject to further engineering analysis.

TABLE OF CONTENTS	
SHEET #	DESCRIPTION
1	Typical elevations, design pressures, & general notes
2	Door panel details
3	Door panel details
4	Elevations & vertical cross sections
5	Horizontal cross sections
6	Frame anchoring
7	Bill of materials & components

MAX. OVERALL DIMENSION	DESIGN PRESSURE (PSF) IN SWING		DESIGN PRESSURE (PSF) OUT SWING	
	POSITIVE	NEGATIVE	POSITIVE	NEGATIVE
40.0" X 98.25"	+55.0	-55.0	+55.0	-55.0

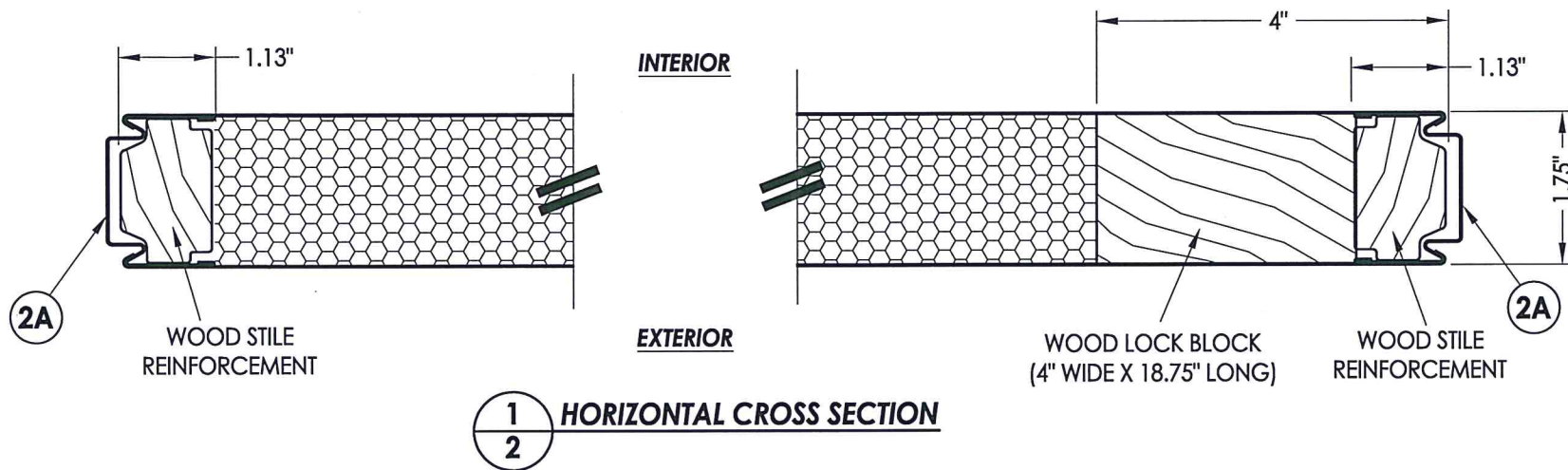


Documents Prepared By: Lyndon F. Schmidt, P.E.
TEXAS P.E. #104123
RW BUILDING CONSULTANTS, INC.
P.O. Box 230 Vairico FL 33595
Phone No.: 813.659.9197
TEXAS BOARD OF PROFESSIONAL ENGINEERS
CERTIFICATE OF REGISTRATION # F-11852

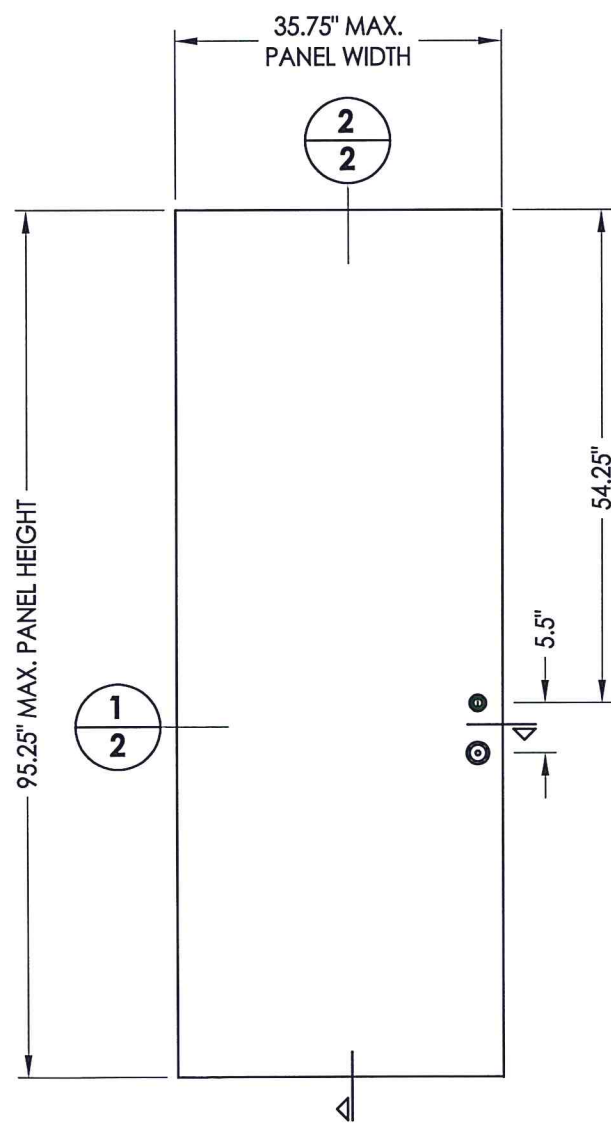
PRODUCT: DUNBARTON
PART OR ASSEMBLY: TYPICAL ELEVATIONS, DESIGN PRESSURES & GENERAL NOTES

NO.	DATE	BY	REVISIONS

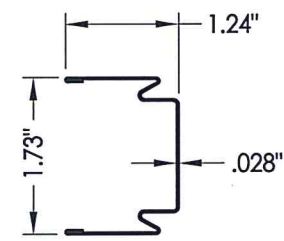
DATE: 2/01/21
SCALE: N.T.S.
DWG. BY: RW
CHK. BY: LFS
DRAWING NO.: TX-5151
SHEET 1 OF 7



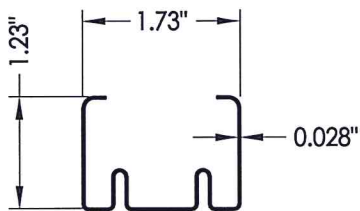
1
2 HORIZONTAL CROSS SECTION



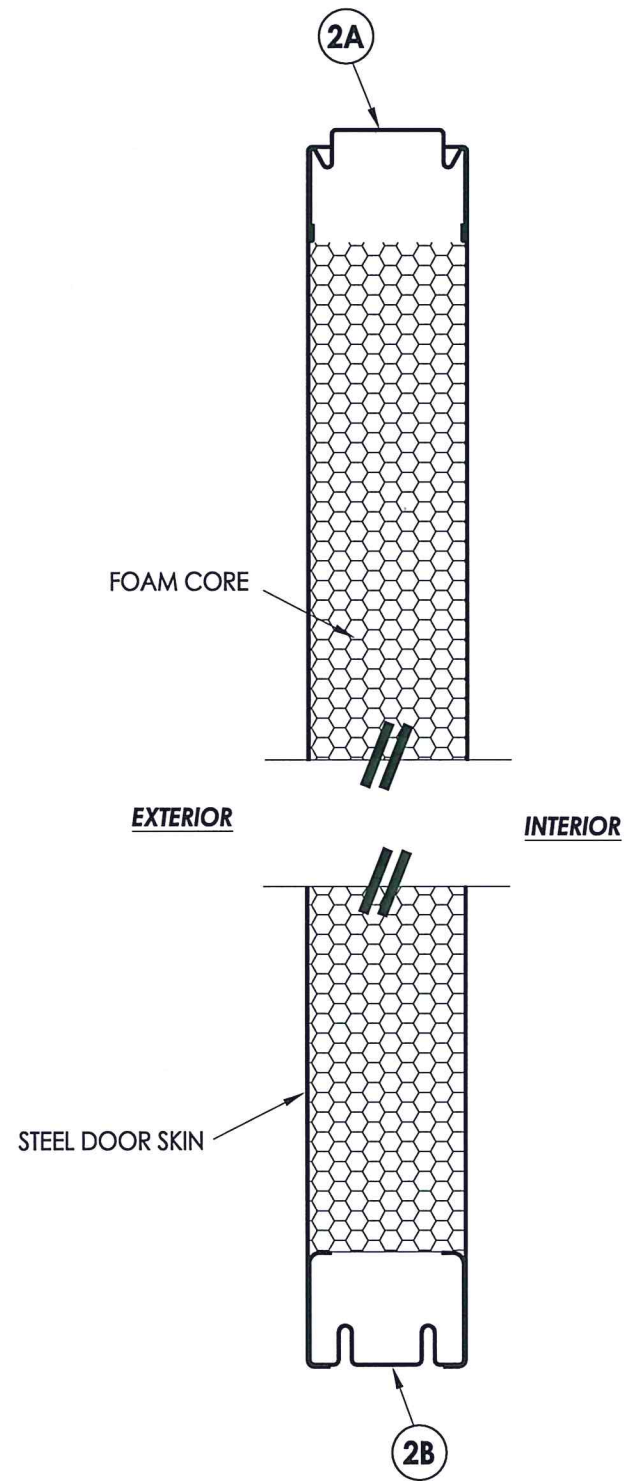
40 8'-0" STEEL DOOR PANEL
JELD-WEN



2A STILE & RAIL
Steel



2B BOTTOM RAIL
Steel



2
2 VERTICAL CROSS SECTION



Documents Prepared By: Lyndon F. Schmidt, P.E.
TEXAS P.E. #104123

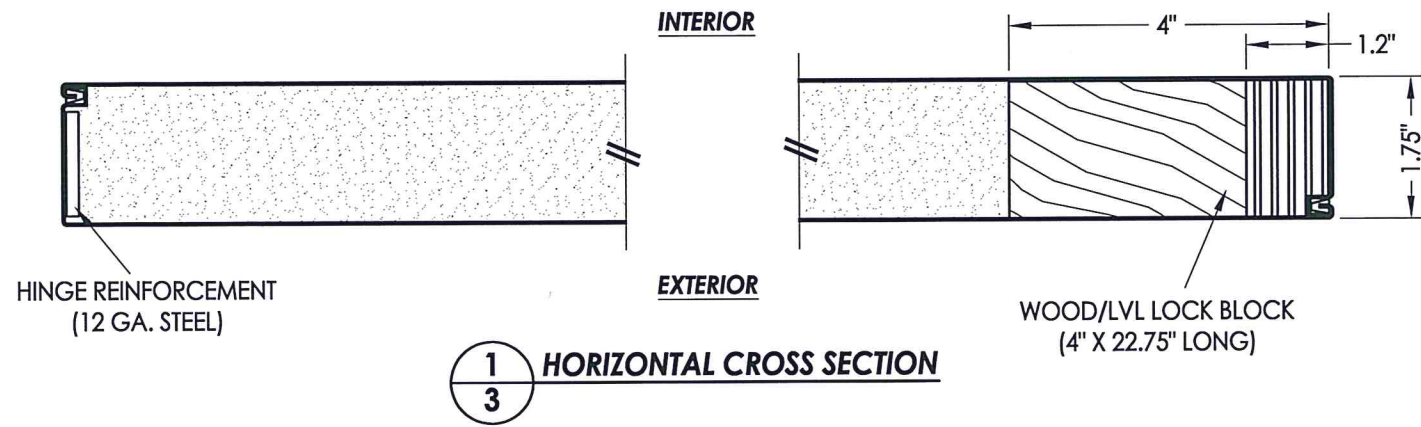
RW BUILDING CONSULTANTS, INC.
P.O. Box 230 Valrico FL 33595
Phone No.: 813.659.9197

TEXAS BOARD OF PROFESSIONAL ENGINEERS
CERTIFICATE OF REGISTRATION # F-11852

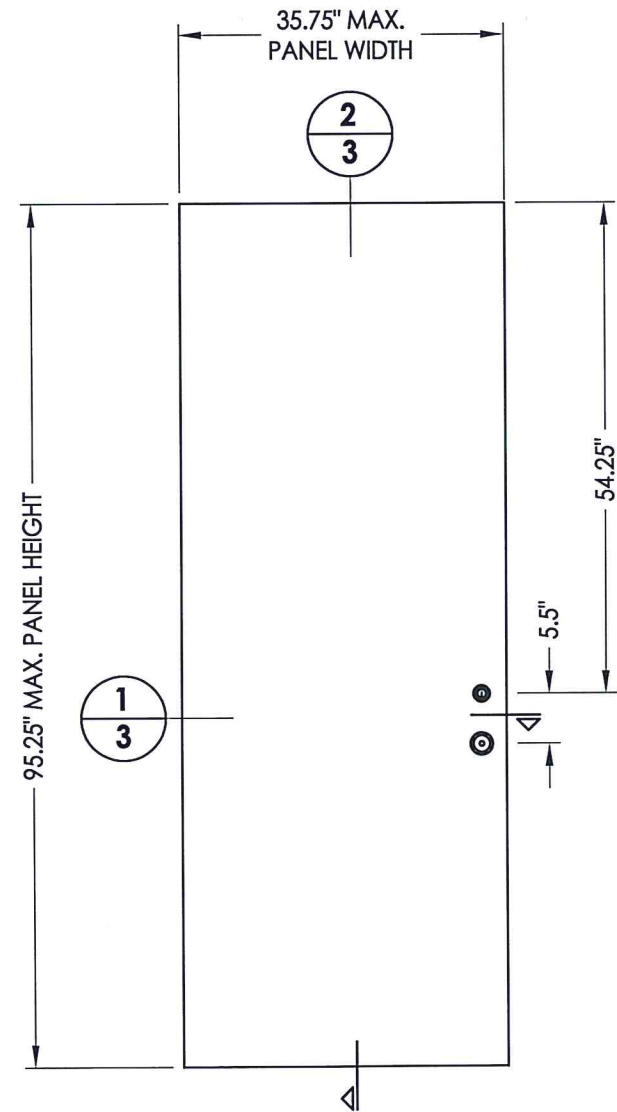
PRODUCT:	DUNBARTON
PART OR ASSEMBLY:	DOOR PANEL DETAILS

NO.	DATE	BY	REVISIONS

DATE:	2/01/21
SCALE:	N.T.S.
DWG. BY:	RW
CHK. BY:	LFS
DRAWING NO.:	TX-5151
SHEET	2 OF 7

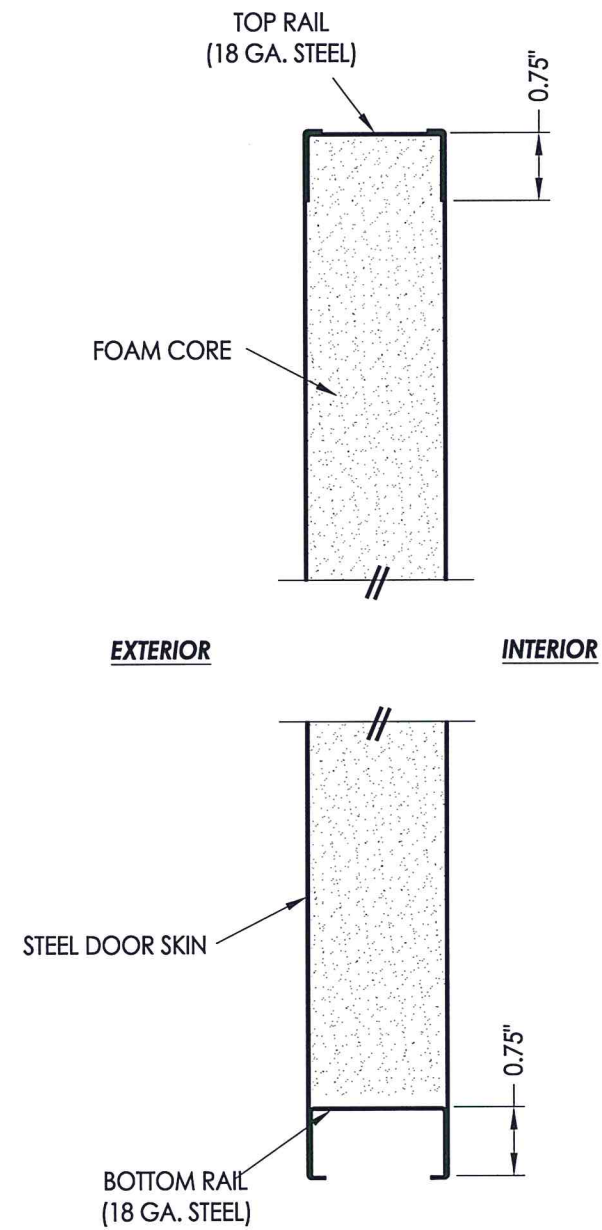


1
3 **HORIZONTAL CROSS SECTION**

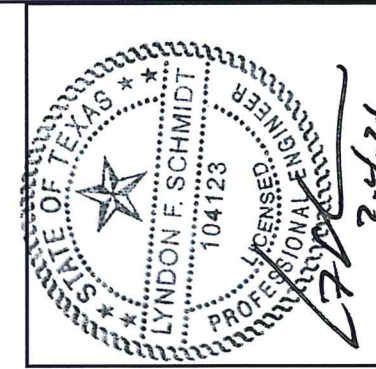


41 **8'-0\"/>**

DOOR SKIN: 0.022" MIN. THK. GALV. STEEL (Fy = 34,800 PSI MIN.)
 CORE MATERIAL: POLYURETHANE CORE



2
3 **VERTICAL CROSS SECTION**



Documents Prepared By: Lyndon F. Schmidt, P.E.
 TEXAS P.E. #104123

RW BUILDING CONSULTANTS, INC.
 P.O. Box 230 Valrico FL 33595
 Phone No.: 813.659.9197
 TEXAS BOARD OF PROFESSIONAL ENGINEERS
 CERTIFICATE OF REGISTRATION # F-11852

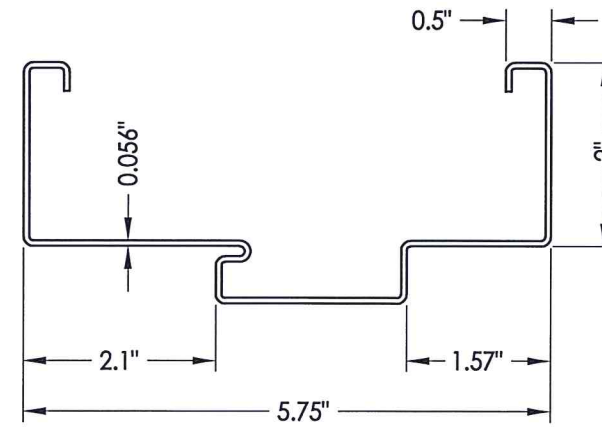
PRODUCT: DUNBARTON
 PART OR ASSEMBLY: DOOR PANEL DETAILS

NO.	DATE	BY	REVISIONS

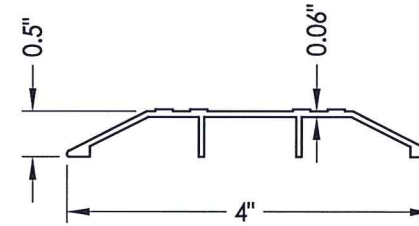
DATE: 2/01/21
 SCALE: N.T.S.
 DWG. BY: RW
 CHK. BY: LFS
 DRAWING NO.: TX-5151
 SHEET 3 OF 7

BILL OF MATERIALS

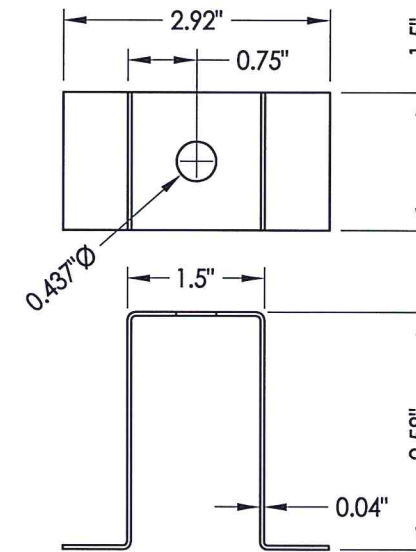
ITEM #	DESCRIPTION	MATERIAL
B	2X STUD FRAMING (G>= 0.55)	WOOD
C	1/4" MAX. SHIM SPACE	-
E	MASONRY - 3,000 PSI MIN. CONCRETE CONFORMING TO ACI 301 OR HOLLOW BLOCK (GROUT FILLED) CONFORMING TO ASTM C90	CONCRETE
H	1/4" X 2-1/4" PFH CONCRETE SCREW (SEE CONCRETE ANCHOR TABLE)	STEEL
J	3/8" X 5" PFH DYNABOLT SLEEVE ANCHOR (SEE CONCRETE ANCHOR TABLE)	STEEL
K	3/8" X 5" FH LAG SCREW (2-1/8" MIN. EMBEDMENT)	STEEL
M	3/8" X 5" LDT TAPCON CONCRETE SCREW (SEE CONCRETE ANCHOR TABLE)	STEEL
1	HOLLOW METAL FRAME	STEEL
5	ADA THRESHOLD	ALUM
7	WEATHERSTRIP	-
8	DOOR SWEEP	-
9	HINGE 4" X 4"	STEEL
10	#12-24 X 1/2" FH MACHINE SCREW	STEEL
11	LATCH STRIKE PLATE	STEEL
12	DEADBOLT STRIKE PLATE	STEEL
16	#8 X 3/4" FH SCREWS	STEEL
17	#12 X 1" FH SCREWS	STEEL
20	HINGE REINFORCEMENT (12 GA.)	STEEL
30	EXPANSION ANCHOR BRACKET(18 GA)	STEEL
40	STEEL DOOR PANEL (7'-0" DOOR JELD-WEN)	STEEL
41	STEEL DOOR PANEL (7'-0" DOOR MASONITE)	STEEL



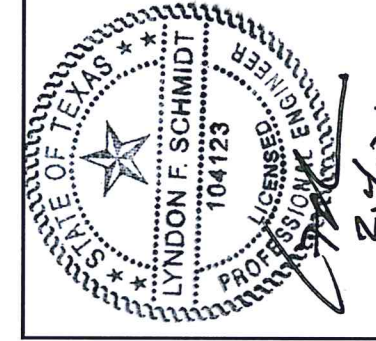
1 HOLLOW METAL FRAME
16 GA. GALV. STEEL



5 ADA THRESHOLD
DLP ISHC



30 EXPANSION ANCHOR
Bracket



Documents Prepared By: Lyndon F. Schmidt, P.E.
TEXAS P.E. #104123

RW BUILDING CONSULTANTS, INC.
P.O. Box 230 Valrico FL, 33595
Phone No.: 813.659.9197

TEXAS BOARD OF PROFESSIONAL ENGINEERS
CERTIFICATE OF REGISTRATION # F-11852

PRODUCT: DUNBARTON
PART OR ASSEMBLY: BILL OF MATERIALS & COMPONENTS

NO.	DATE	BY	REVISIONS

DATE: 2/01/21
SCALE: N.T.S.
DWG. BY: RW
CHK. BY: LFS
DRAWING NO.: TX-5151
SHEET 7 OF 7