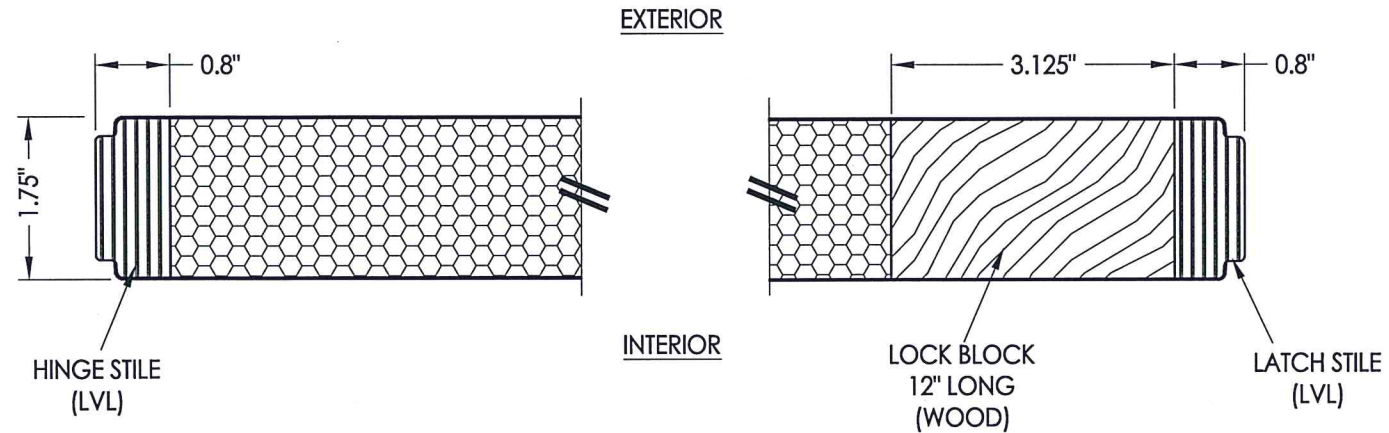
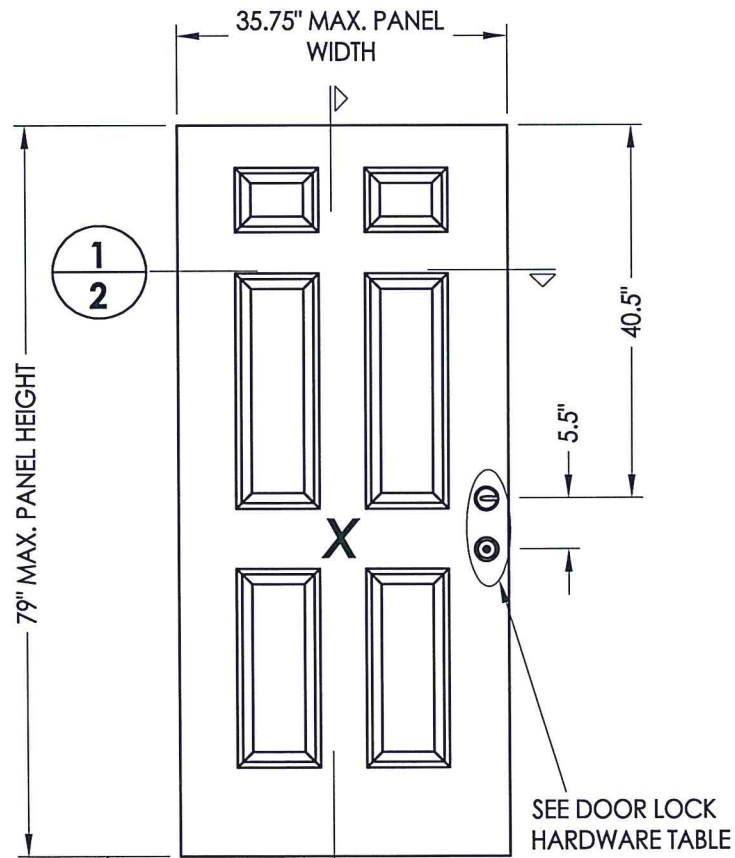


Z:\Clients\Doorscapes\B - Texas Dept of Ins\TDI - DR 1059 Steel Non-Impact\C - Drawings\TX-4930-31.dwg



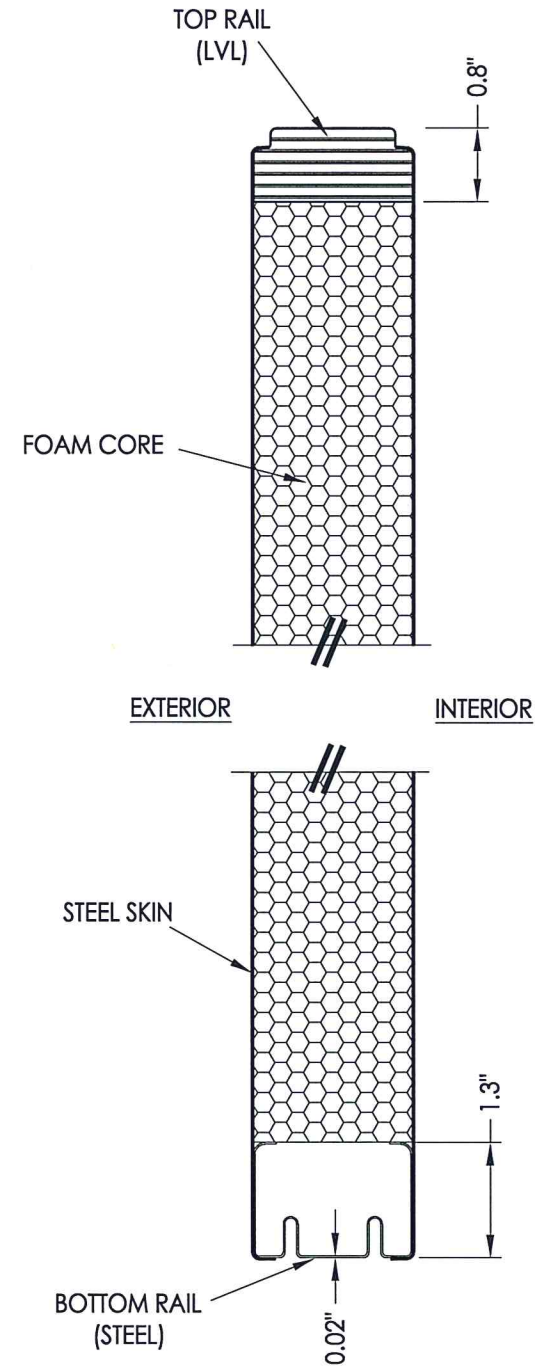
1
2 **HORIZONTAL CROSS SECTION**



2
2
40 DOOR PANEL
Doorscapes

STEEL SKIN: 0.020" MIN. THK.
FOAM CORE: POLYSTYRENE - 2 PCF MIN.

HARDWARE TABLE	
MANUFACTURER	MODEL
YALE	KNOB: YE SERIES (10) DEADBOLT: YE SERIES (82E)



2
2 **VERTICAL CROSS SECTION**



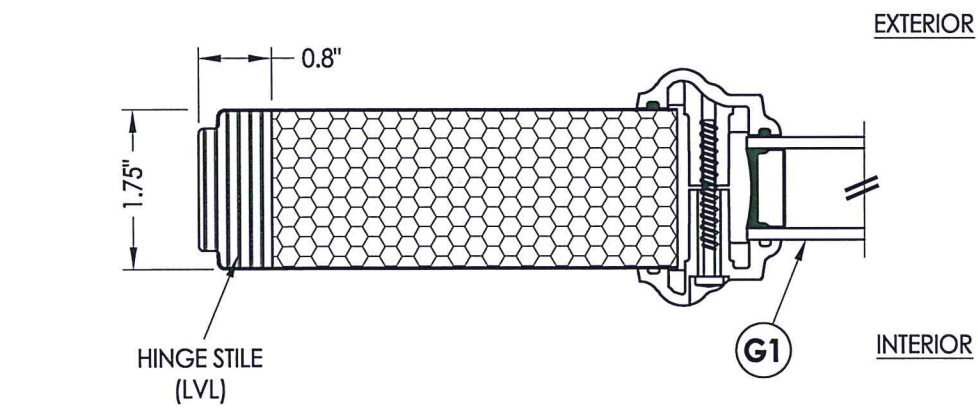
Documents Prepared By: Lyndon F. Schmidt, P.E.
TEXAS P.E. #104123

RW BUILDING CONSULTANTS, INC.
P.O. Box 230 Valrico FL 33595
Phone No.: 813.659.9197
TEXAS BOARD OF PROFESSIONAL ENGINEERS
CERTIFICATE OF REGISTRATION # F-11852

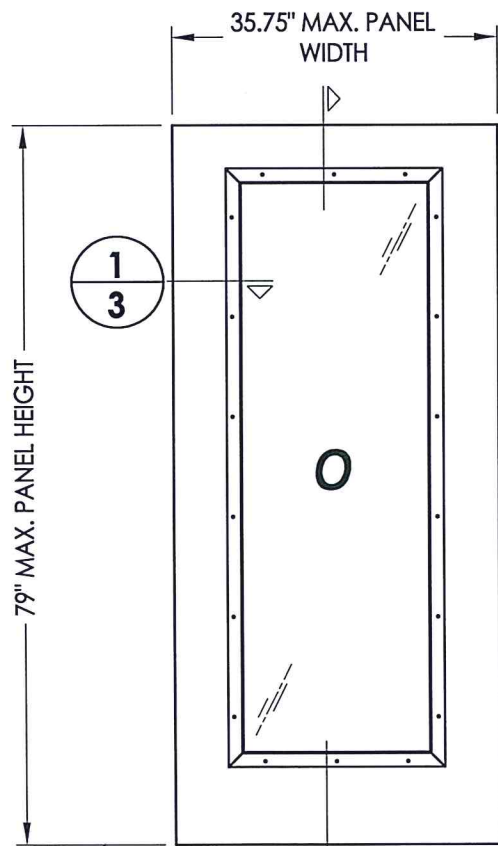
PRODUCT: DOORSCAPES STEEL DOOR
PART OR ASSEMBLY: DOOR PANEL DETAILS

NO.	DATE	DESCRIPTION	BY
1	10/28/21	UPDATE TO 2018 IBC/IRC CODE	LFS

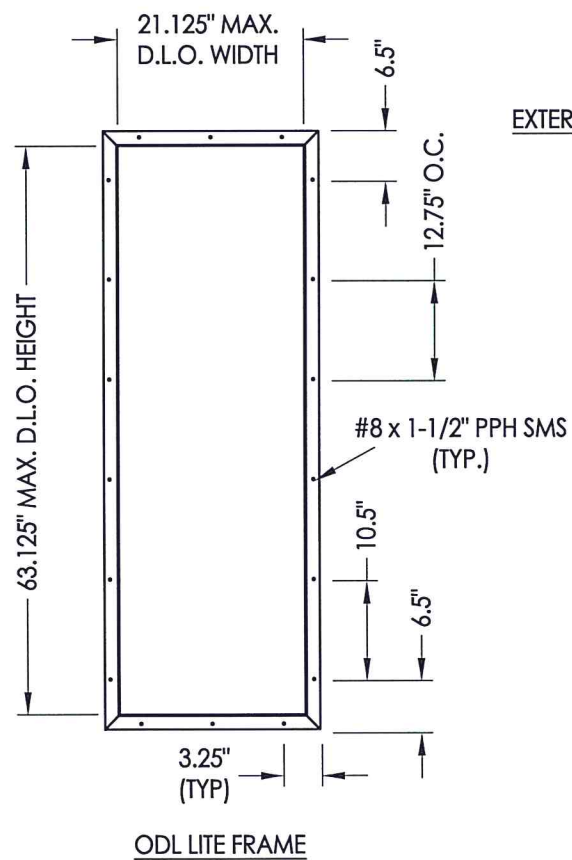
DATE: 5/06/19
SCALE: N.T.S.
DWG. BY: MT
CHK. BY: LFS
DRAWING NO.: TX-4931
SHEET 2 OF 10



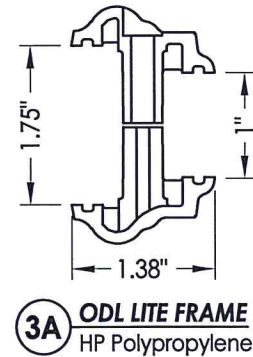
1
3 HORIZONTAL CROSS SECTION



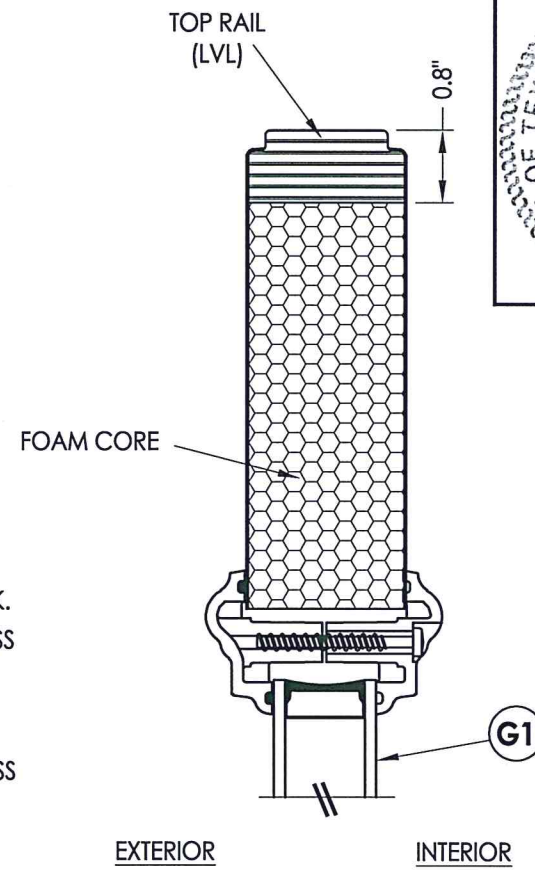
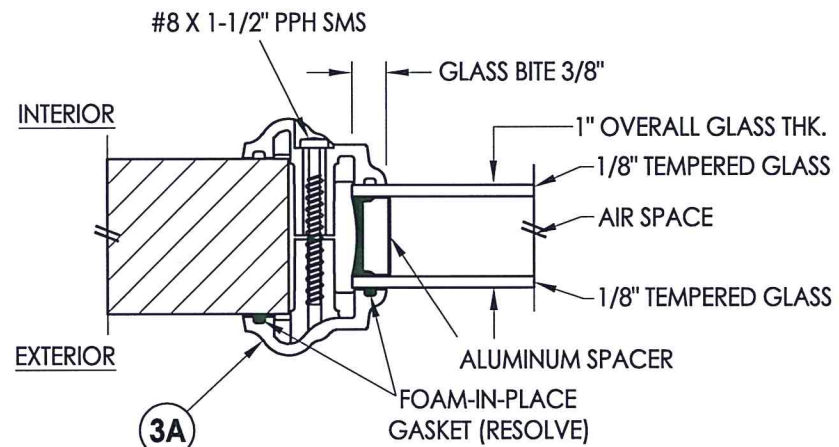
2
3 SIDELITE PANEL
Doorscapes



G1 GLAZING DETAIL
ODL LITE FRAME



3A ODL LITE FRAME
HP Polypropylene



2
3 VERTICAL CROSS SECTION



Documents Prepared By: Lyndon F. Schmidt, P.E.
TEXAS P.E. #104123

RW BUILDING CONSULTANTS, INC.
P.O. Box 230 Valrico FL 33595
Phone No.: 813.659.9197

TEXAS BOARD OF PROFESSIONAL ENGINEERS
CERTIFICATE OF REGISTRATION # F-11852

PRODUCT: DOORSCAPES STEEL DOOR

PART OR ASSEMBLY: SIDELITE PANEL & GLAZING DETAILS

NO.	DATE	REVISIONS
1	10/28/21	UPDATE TO 2018 IBC/IRC CODE
		LFS
		BY

DATE: 5/06/19

SCALE: N.T.S.

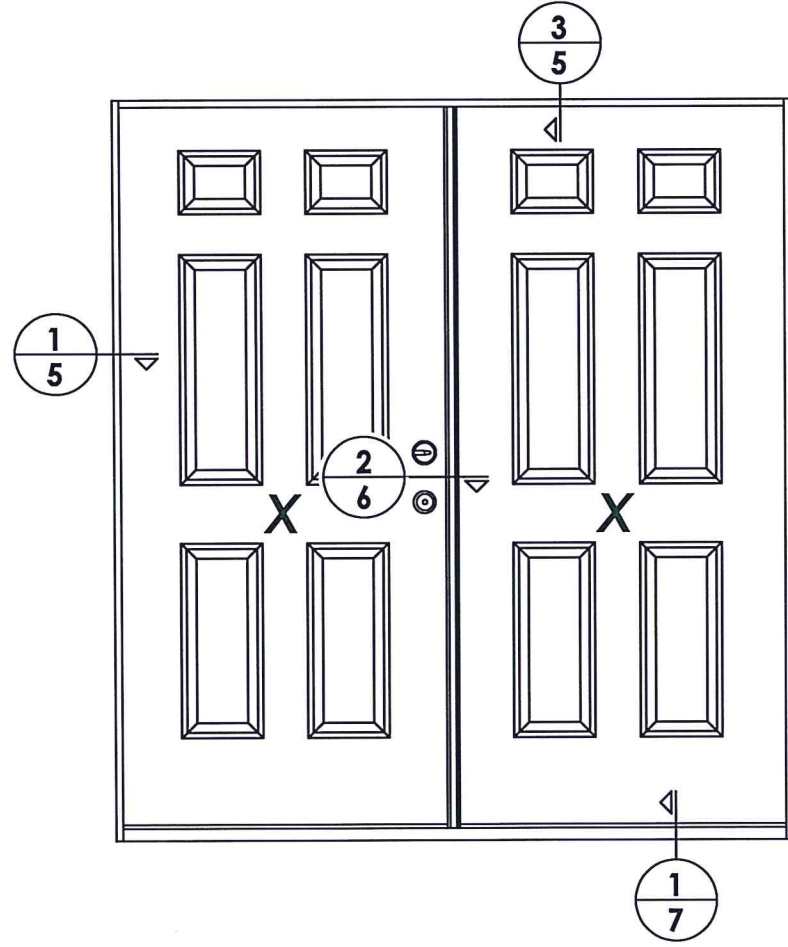
DWG. BY: MT

CHK. BY: LFS

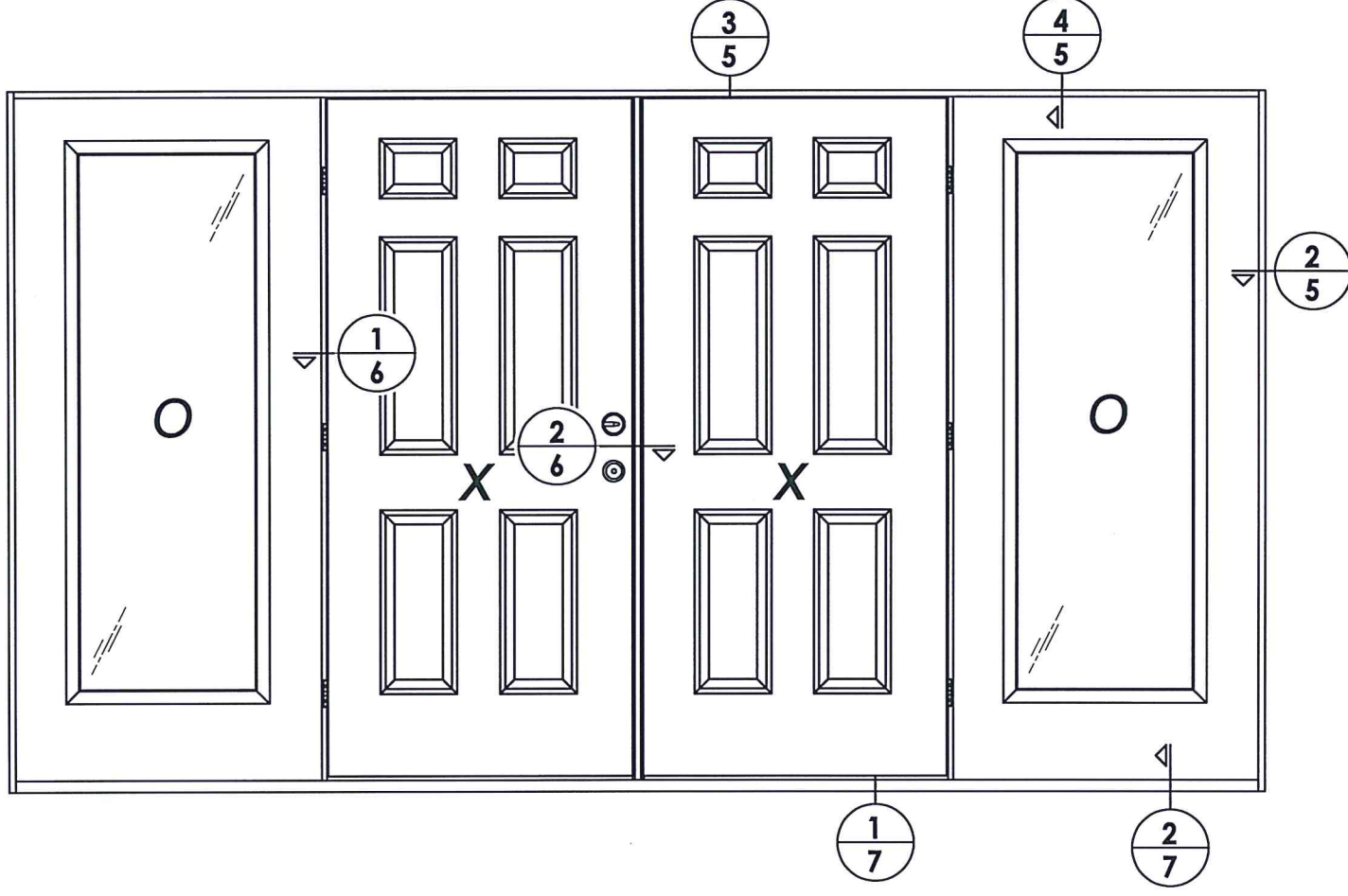
DRAWING NO.: TX-4931

SHEET 3 OF 10

STEEL SKIN: 0.020" MIN. THK.
FOAM CORE: POLYSTYRENE - 2 PCF MIN.



ELEVATION
XX



ELEVATION
OXXO



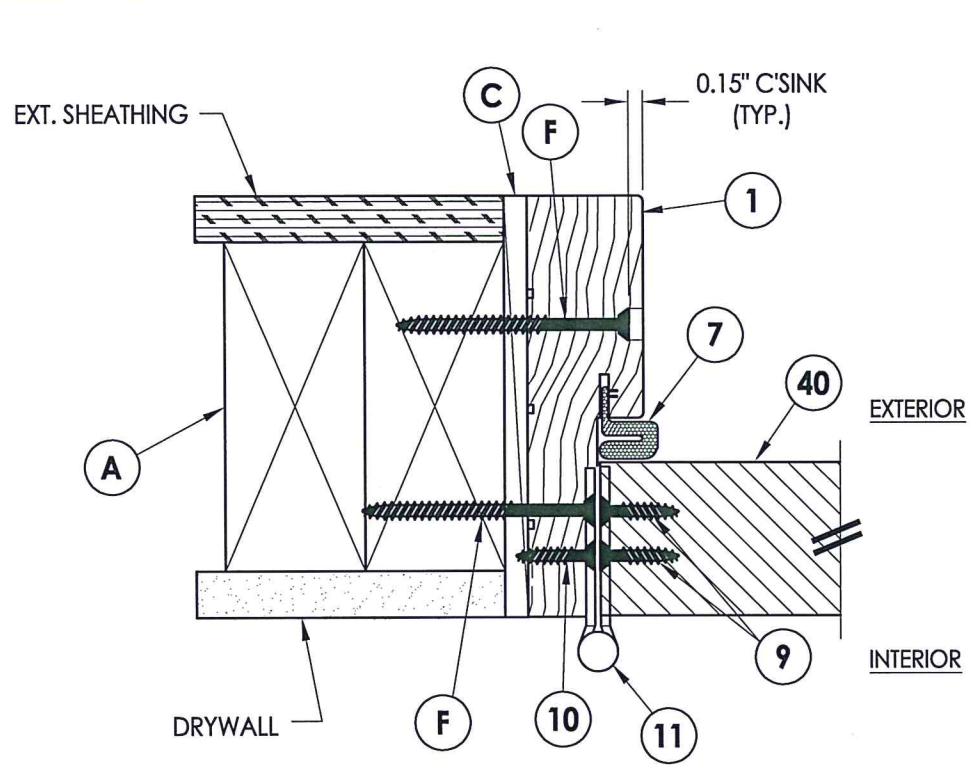
Documents Prepared By: Lyndon F. Schmidt, P.E.
TEXAS P.E. #104123

RW BUILDING CONSULTANTS, INC.
P.O. Box 230 Valrico FL 33595
Phone No.: 813.659.9197

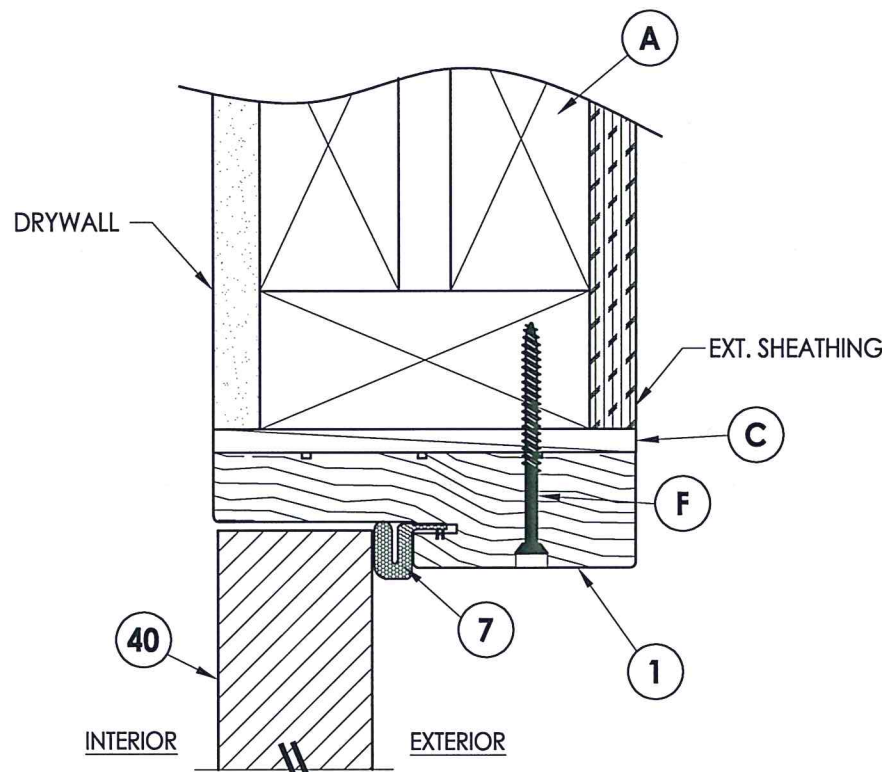
TEXAS BOARD OF PROFESSIONAL ENGINEERS
CERTIFICATE OF REGISTRATION # F-11852

PRODUCT: DOORSCAPES STEEL DOOR	
PART OR ASSEMBLY: ELEVATIONS	
NO.	DATE
1	10/28/21
UPDATE TO 2018 IBC/IRC CODE	
LFS	BY
REVISIONS	
DATE: 5/06/19	
SCALE: N.T.S.	
DWG. BY: MT	
CHK. BY: LFS	
DRAWING NO.: TX-4931	
SHEET 4 OF 10	

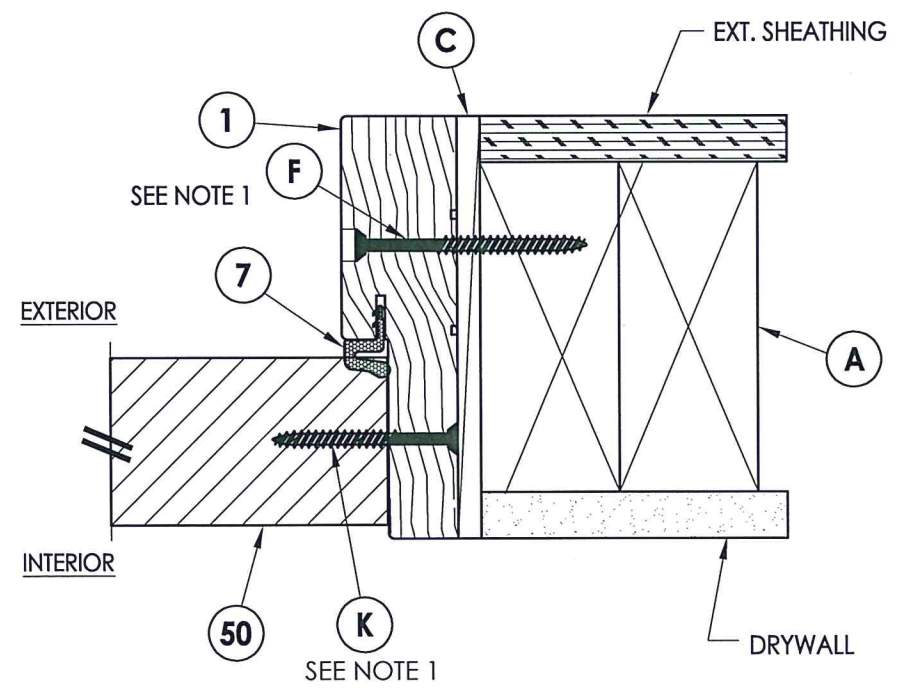
Z:\Clients\Doorscapes\B - Texas Dept of Ins\TDI - DR 1059 Steel Non-Impact\C - Drawings\TX-4930-31.dwg



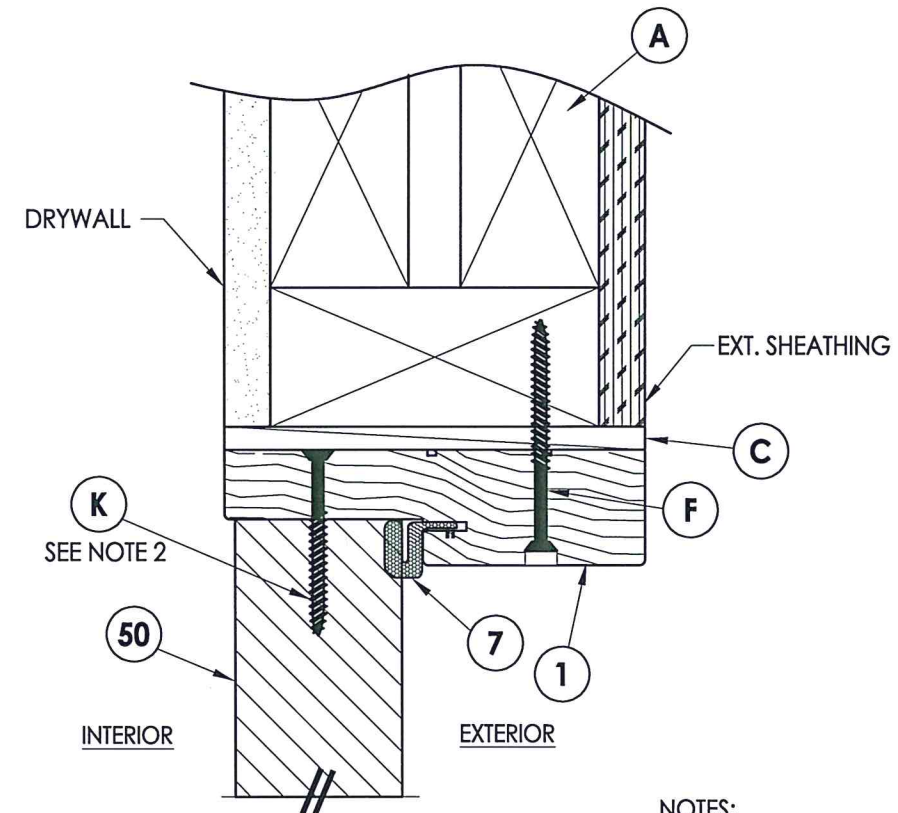
1
5 HORIZONTAL CROSS SECTION



3
5 VERTICAL CROSS SECTION



2
5 HORIZONTAL CROSS SECTION



4
5 VERTICAL CROSS SECTION

- NOTES:**
- Sidelite attached @ 6" from each end plus 4 more screws equally spaced between (6 screws total per jamb).
 - Sidelite attached @ 3" from each end (2 screws total @ head).



Documents Prepared By: Lyndon F. Schmidt, P.E.
TEXAS P.E. #104123

RW BUILDING CONSULTANTS, INC.
P.O. Box 230 Valrico FL, 33595
Phone No.: 813.659.9197

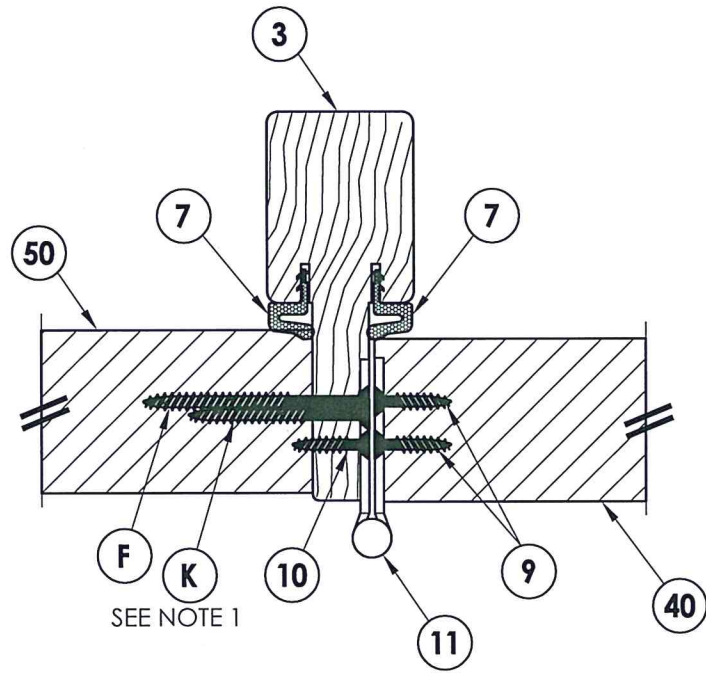
TEXAS BOARD OF PROFESSIONAL ENGINEERS
CERTIFICATE OF REGISTRATION # F-11852

PRODUCT: DOORSCAPES
STEEL DOOR

PART OR ASSEMBLY:
HORIZONTAL & VERTICAL
CROSS SECTIONS

NO.	DATE	DESCRIPTION	BY
1	10/28/21	UPDATE TO 2018 IBC/IRC CODE	LFS

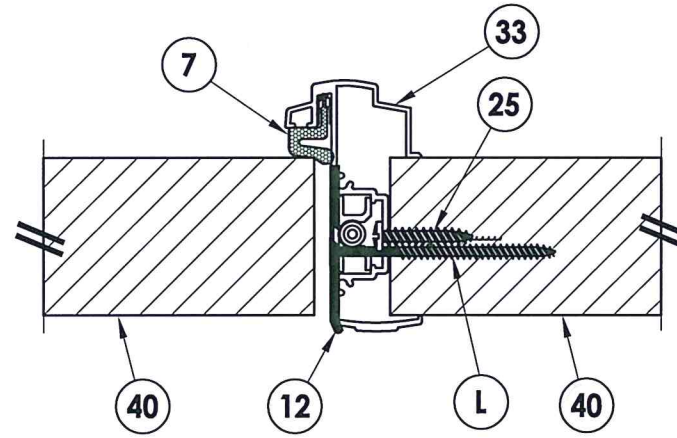
DATE: 5/06/19
SCALE: N.T.S.
DWG. BY: MT
CHK. BY: LFS
DRAWING NO.: TX-4931
SHEET 5 OF 10



1
6 HORIZONTAL CROSS SECTION

EXTERIOR

INTERIOR



2
6 HORIZONTAL CROSS SECTION

NOTE:

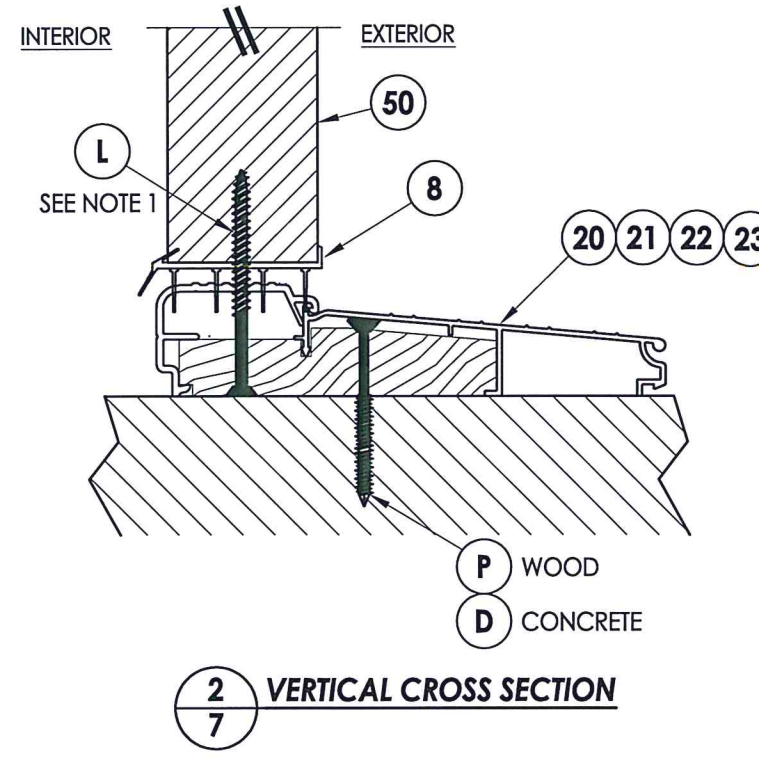
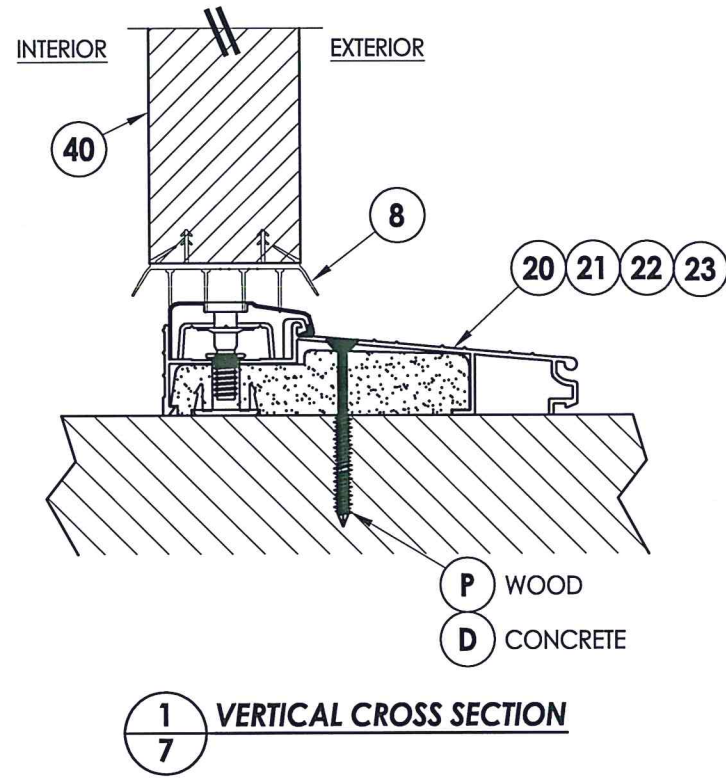
- Sidelite attached w/ 1 screw equally spaced between each hinge (2 screws total per mullion).



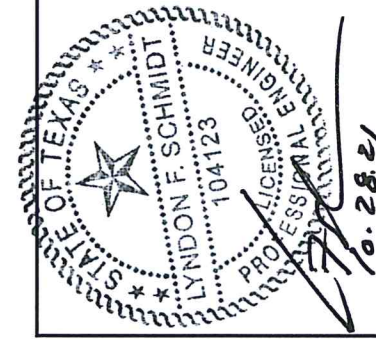
Documents Prepared By: Lyndon F. Schmidt, P.E.
TEXAS P.E. #104123

RW BUILDING CONSULTANTS, INC.
P.O. Box 230 Vairico FL 33595
Phone No.: 813.659.9197
TEXAS BOARD OF PROFESSIONAL ENGINEERS
CERTIFICATE OF REGISTRATION # F-11852

PRODUCT:		DOORSCAPES STEEL DOOR	
PART OR ASSEMBLY:		HORIZONTAL CROSS SECTIONS	
NO.	DATE	REVISIONS	
1	10/28/21	UPDATE TO 2018 IBC/IRC CODE	LFS
			BY
DATE:		5/06/19	
SCALE:		N.T.S.	
DWG. BY:		MT	
CHK. BY:		LFS	
DRAWING NO.:		TX-4931	
SHEET		6 OF 10	



NOTE:
1. Sidelite attached @ 3" from each end (2 screws total @ sill).



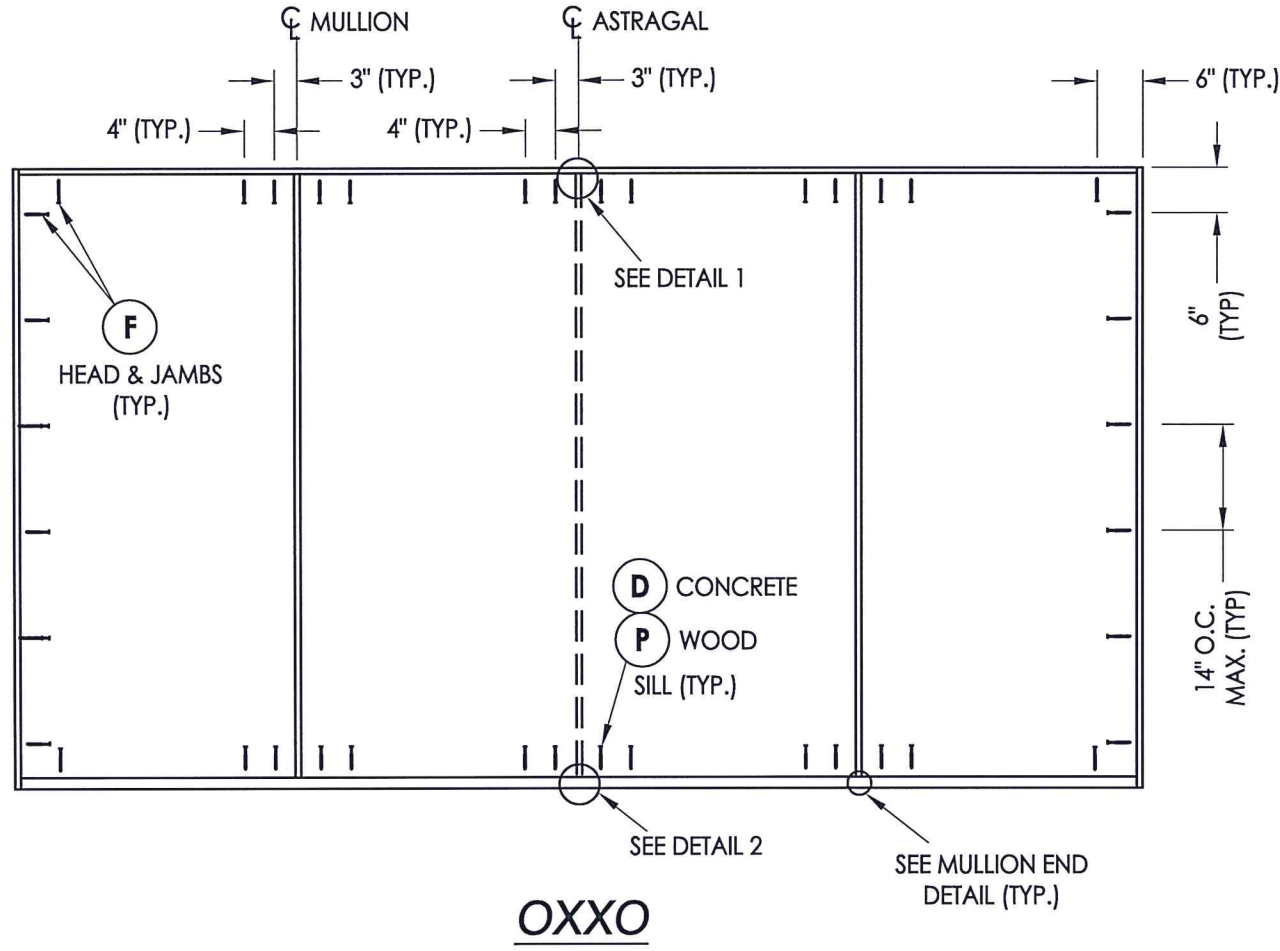
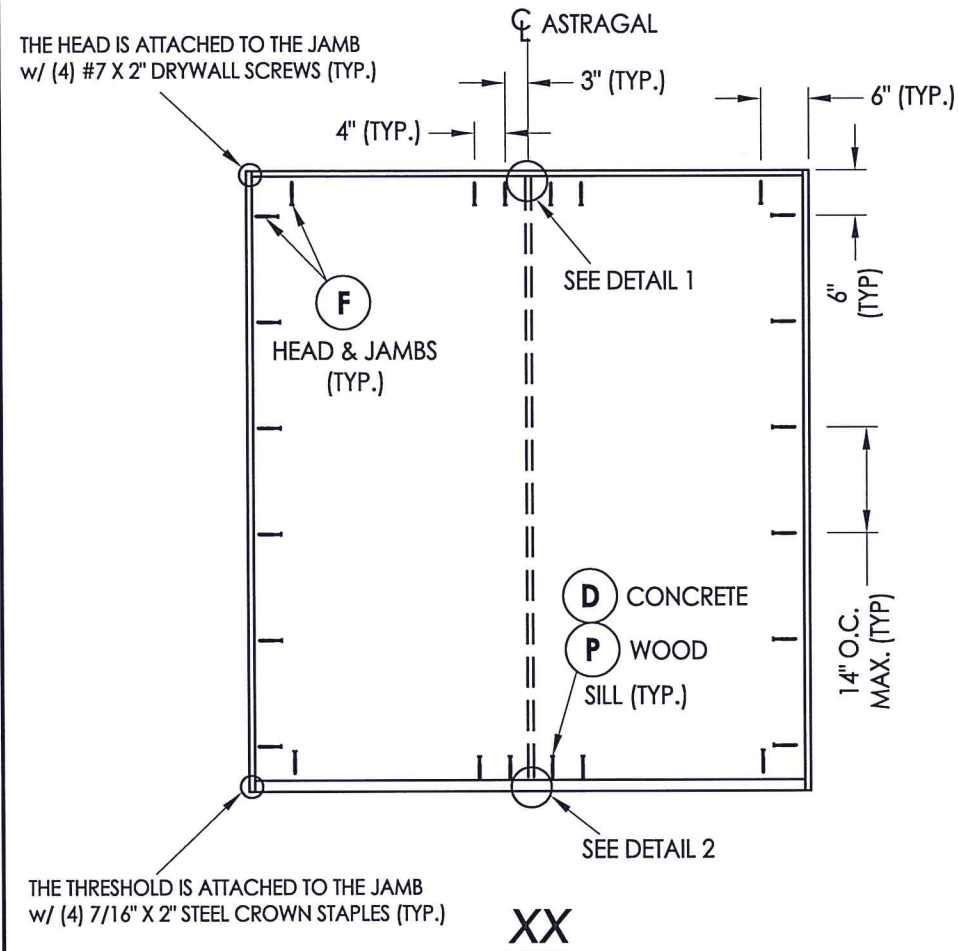
Documents Prepared By: Lyndon F. Schmidt, P.E.
TEXAS P.E. #104123

RW BUILDING CONSULTANTS, INC.
P.O. Box 230 Valrico FL 33595
Phone No.: 813.659.9197

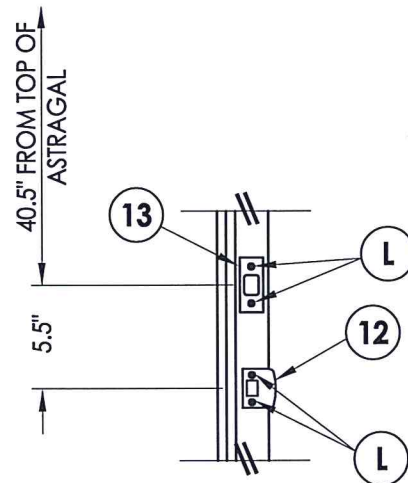
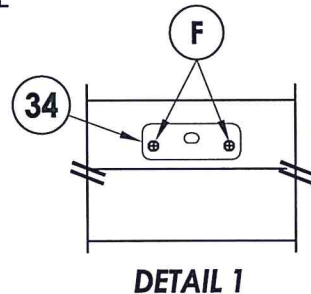
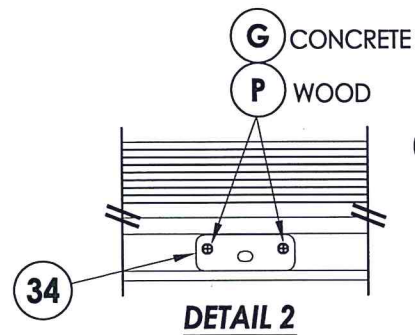
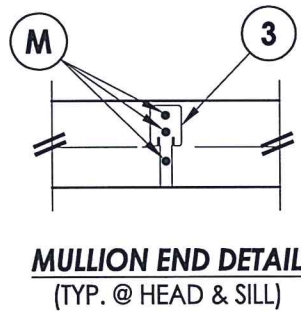
TEXAS BOARD OF PROFESSIONAL ENGINEERS
CERTIFICATE OF REGISTRATION # F-11852

PRODUCT: DOORSCAPES STEEL DOOR	
PART OR ASSEMBLY: VERTICAL CROSS SECTIONS	
NO.	REVISIONS
1	10/28/21 UPDATE TO 2018 IBC/IRC CODE
	DATE
	BY
DATE: 5/06/19	
SCALE: N.T.S.	
DWG. BY: MT	
CHK. BY: LFS	
DRAWING NO.: TX-4931	
SHEET 7 OF 10	

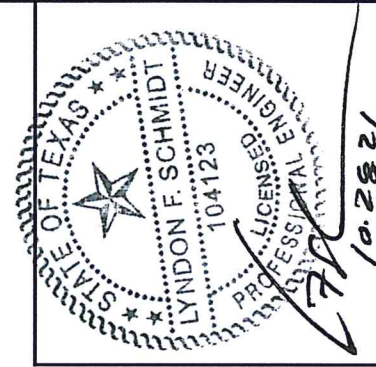
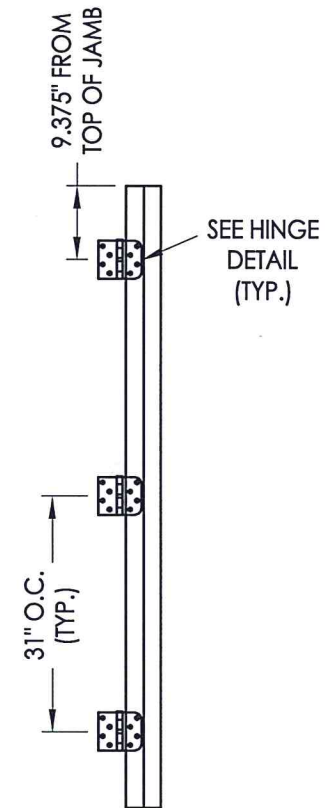
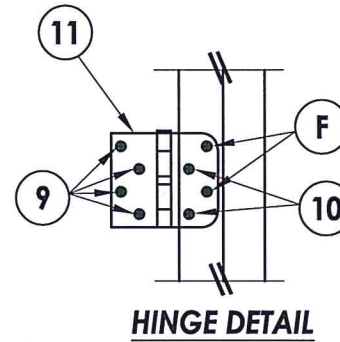
Z:\Clients\Doorscapes\B - Texas Dept of Ins\TDI - DR 1059 Steel Non-Impact\C - Drawings\TX-4930-31.dwg



FRAME ANCHORING



LATCH & DEADBOLT STRIKE DETAILS



Documents Prepared By: Lyndon F. Schmidt, P.E.
TEXAS P.E. #104123

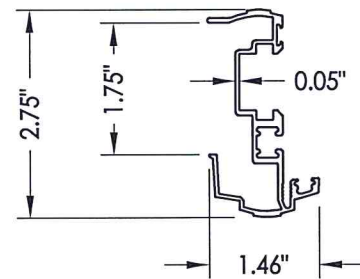
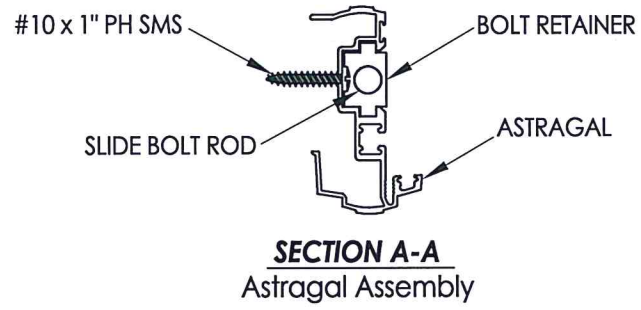
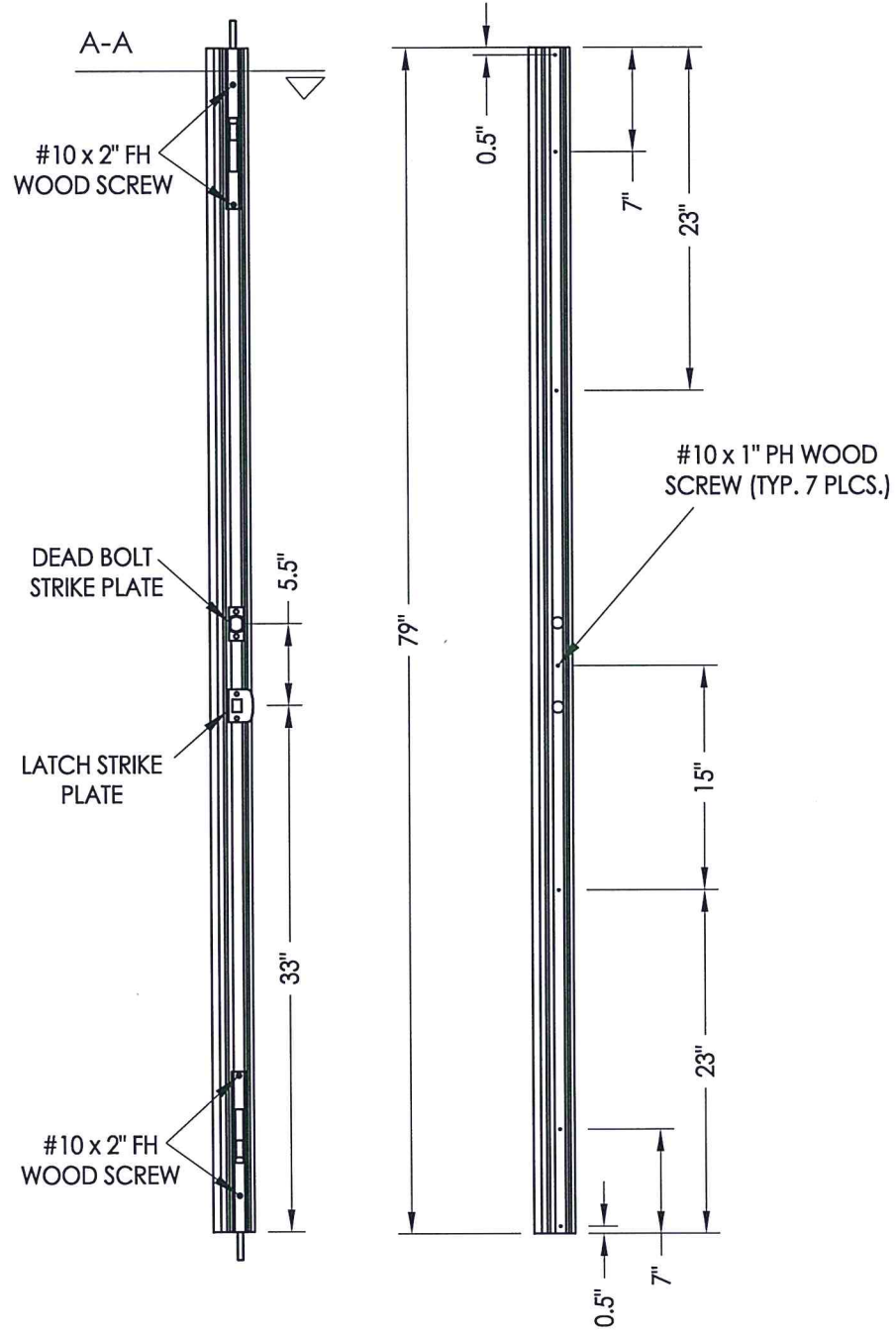
RW BUILDING CONSULTANTS, INC.
P.O. Box 230 Valrico FL 33595
Phone No.: 813.659.9197
TEXAS BOARD OF PROFESSIONAL ENGINEERS
CERTIFICATE OF REGISTRATION # F-11852

PRODUCT: DOORSCAPES STEEL DOOR

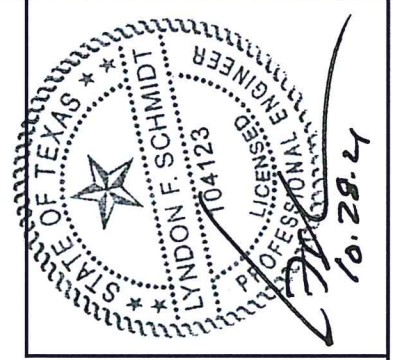
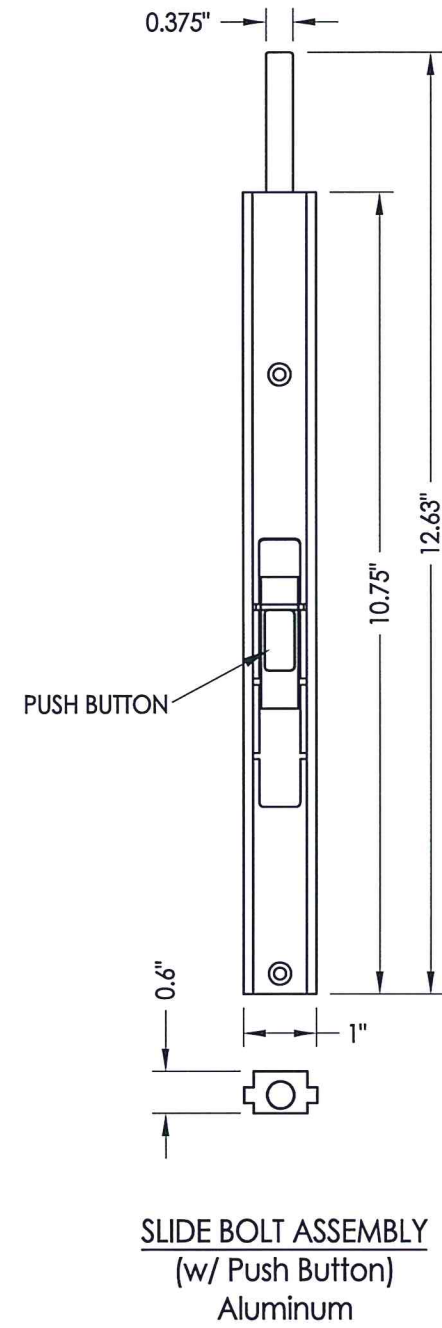
PART OR ASSEMBLY: FRAME ANCHORING & HARDWARE DETAILS

NO.	DATE	BY	REVISIONS
1	10/28/21	LFS	UPDATE TO 2018 IBC/IRC CODE

DATE: 5/06/19
SCALE: N.T.S.
DWG. BY: MT
CHK. BY: LFS
DRAWING NO.: TX-4931
SHEET 8 of 10



33 HURRICANE "T" ASTRAGAL by AFCO
Aluminum



Documents Prepared By: Lyndon F. Schmidt, P.E.
 TEXAS P.E. #104123
RW BUILDING CONSULTANTS, INC.
 P.O. Box 230 Valrico FL 33595
 Phone No.: 813.659.9197
 TEXAS BOARD OF PROFESSIONAL ENGINEERS
 CERTIFICATE OF REGISTRATION # F-11852

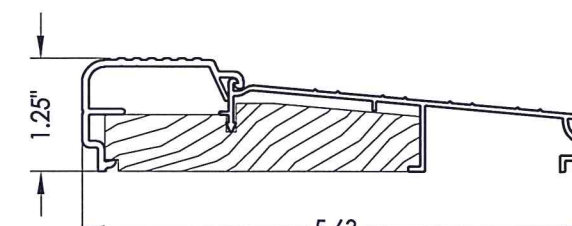
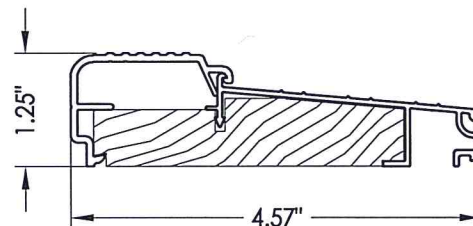
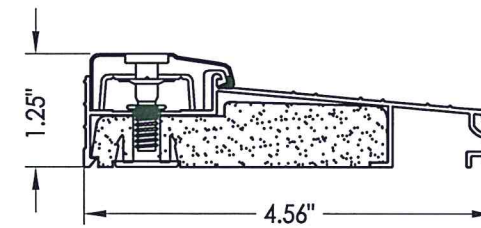
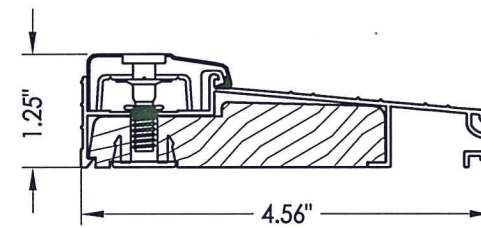
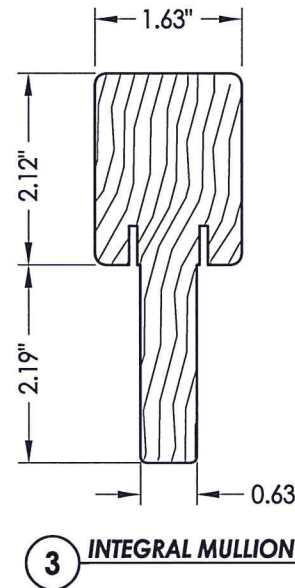
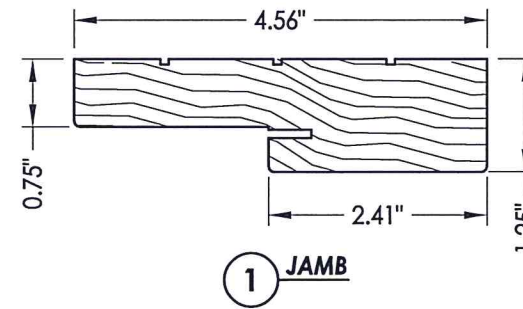
PRODUCT: DOORSCAPES STEEL DOOR
 PART OR ASSEMBLY: ASTRAGAL DETAILS

NO.	DATE	DESCRIPTION	BY
1	10/28/21	UPDATE TO 2018 IBC/IRC CODE	LFS
REVISIONS			

DATE: 5/06/19
 SCALE: N.T.S.
 DWG. BY: MT
 CHK. BY: LFS
 DRAWING NO.: TX-4931
 SHEET 9 OF 10

BILL OF MATERIALS

ITEM #	DESCRIPTION	MATERIAL
A	2X FRAMING (G >= 0.42)	WOOD
C	1/4" MAX. SHIM SPACE	-
D	1/4" Ø PFH DeWALT OR ITW CONCRETE SCREW (1-3/4" MIN. EMBEDMENT)	STEEL
F	#10 X 2-1/2" PFH WOOD SCREW (1.15" MIN. EMBEDMENT)	STEEL
G	3/16" Ø PFH ITW CONCRETE SCREW (1-3/4" MIN. EMB.)	STEEL
K	#10 X 2" PFH WOOD SCREW	STEEL
L	#8 X 2-1/2" PFH WOOD SCREW	STEEL
M	#7 X 2-1/2" DRYWALL SCREW	STEEL
P	#10 PFH WOOD SCREW (1-1/2" MIN. EMB.)	STEEL
1	FINGER JOINT PINE JAMB (G >= 0.42)	WOOD
3	INTEGRAL MULLION (PINE, G >= 0.42)	WOOD
7	WEATHERSTRIP	FOAM
8	DOOR/SIDELITE BOTTOM SWEEP	VINYL
9	#9 X 1" PFH WOOD SCREW	STEEL
10	#10 X 3/4" PFH WOOD SCREW	STEEL
11	4" X 4" BUTT HINGE	STEEL
12	LATCH STRIKE PLATE	STEEL
13	DEADBOLT STRIKE PLATE	STEEL
20	INSWING THRESHOLD (AFCO A-125)	ALUM/WOOD
21	INSWING THRESHOLD (AFCO A-125)	ALUM/COMP
22	INSWING THRESHOLD (AFCO A-276)	ALUM/WOOD
23	INSWING THRESHOLD (AFCO A-280)	ALUM/WOOD
25	#10 X 1" PH SMS	STEEL
33	ALUMINUM ASTRAGAL (AFCO)	ALUM
34	ASTRAGAL STRIKE PLATE	STEEL
40	DOOR PANEL - SEE DOOR PANEL DETAIL SHEET FOR DETAILS	-
50	SIDELITE PANEL - SEE SIDELITE PANEL DETAIL SHEET FOR DETAILS	-



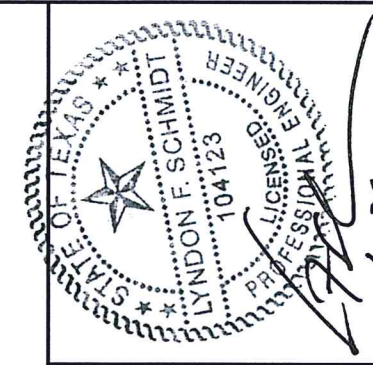
CONCRETE ANCHOR NOTES:

- Concrete anchor locations at the corners may be adjusted to maintain the min. edge distance to mortar joints.
- Concrete anchor locations noted as "MAX. ON CENTER" must be adjusted to maintain the min. edge distance to mortar joints, additional concrete anchors may be required to ensure the "MAX. ON CENTER" dimension are not exceeded.
- Concrete anchor table:

ANCHOR TYPE	ANCHOR SIZE	MIN. EMBEDMENT	MIN. CLEARANCE TO MASONRY EDGE	MIN. CLEARANCE TO ADJACENT ANCHOR
ITW BUILDEX TAPCON®	3/16"	1-3/4"	3"	1-1/2"
	1/4"	1-3/4"	2"	4"
DeWALT ULTRACON®	1/4"	1-3/4"	1"	4"

WOOD SCREW INSTALLATION NOTES:

- Maintain a minimum 5/8" edge distance, 1" end distance, & 1" o.c. spacing of wood screws to prevent the splitting of wood.



Documents Prepared By: Lyndon F. Schmidt, P.E.
TEXAS P.E. #104123

RW BUILDING CONSULTANTS, INC.
P.O. Box 230 Valrico FL 33595
Phone No.: 813.659.9197

TEXAS BOARD OF PROFESSIONAL ENGINEERS
CERTIFICATE OF REGISTRATION # F-11852

PRODUCT: DOORSCAPES
STEEL DOOR
PART OR ASSEMBLY:
BILL OF MATERIALS
& COMPONENTS

NO.	DATE	DESCRIPTION	LFS	BY
1	10/28/21	UPDATE TO 2018 IBC/IRC CODE	LFS	BY

DATE: 5/06/19
SCALE: N.T.S.
DWG. BY: MT
CHK. BY: LFS
DRAWING NO.: TX-4931
SHEET 10 OF 10