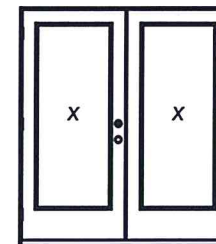
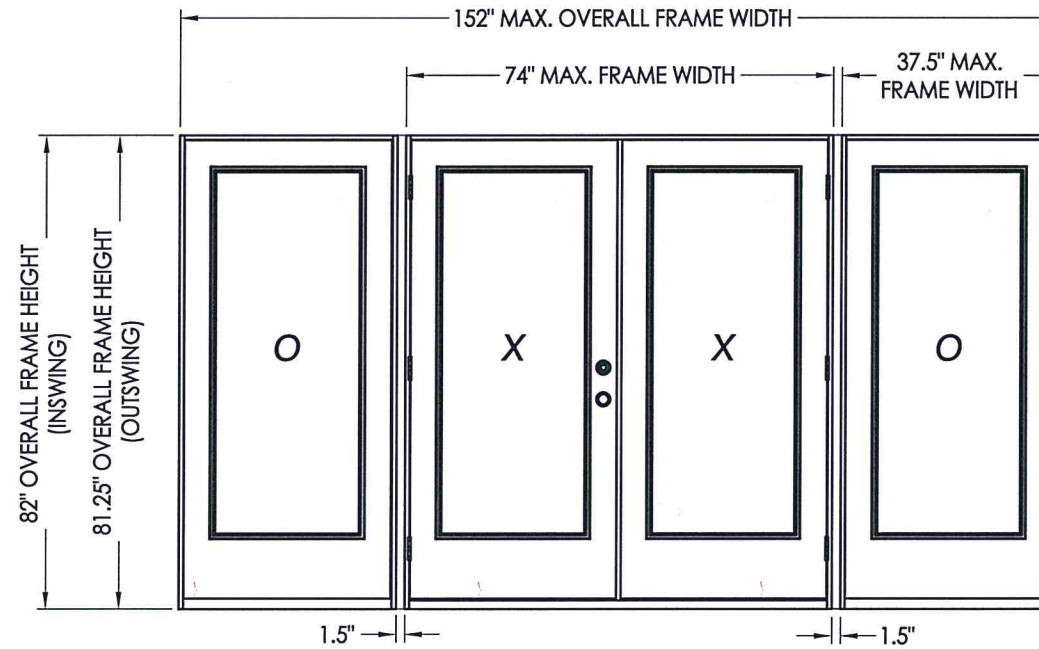


# plastpro

5200 W. CENTURY BLVD.  
LOS ANGELES, CA 90045

## DIRECT GLAZED FIBERGLASS DOORS DOUBLES w/ or w/out SIDELITES IN SWING / OUT SWING "NON-IMPACT"



XX

### EVALUATED FOR USE IN THE STATE OF TEXAS

The Fiberglass Door system described herein complies with the 2018 International Residential Code (IRC), Sections R301 & R609 and the 2018 International Building Code (IBC), Sections 1404.13, 1609, 1709.5, 2403 and 2404 subject to the following conditions:

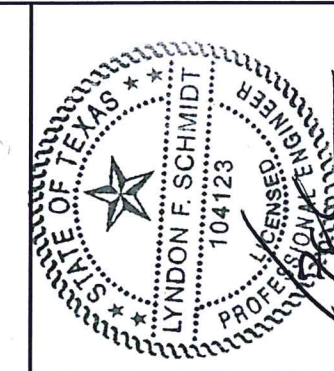
1. Anchors shall be as listed and spaced as shown in the details. Anchor embedment to base material shall be beyond wall dressing or stucco.
2. When used in areas requiring wind-borne debris protection this product is required to be protected with an impact resistant covering that complies with Section R301.2.1.2 of the IRC and Section 1609.1.2 of the IBC.
3. Allowable design pressure requirements must be equal to or less than the design pressure rating shown in the design pressure chart, sheet 1 of this drawing.
4. Conditions not covered by this drawing are subject to further engineering analysis.

### TABLE OF CONTENTS

SHEET #	DESCRIPTION
1	Typical elevations, design pressures & general notes
2	Door & Sidelite panel details
3	Elevations
4	Horizontal & Vertical Cross Sections
5	Vertical Cross Sections
6	Frame anchoring & Hardware details
7	Bill of materials & components

CONFIGURATION	MAX. FRAME DIMENSION	ASTRAGAL	JAMB MATERIAL	JAMB REINFORCEMENT	DESIGN PRESSURE (PSF) INSWING		DESIGN PRESSURE (PSF) OUTSWING	
					POSITIVE	NEGATIVE	POSITIVE	NEGATIVE
XX	74.0" x 82.0"	ENDURA	FJP or PF	N/A	+40.0	-40.0	+40.0	-40.0
OXXO	149.0" x 82.0"	ENDURA	PF	N/A	+30.0	-40.0	+35.0	-35.0
	149.0" x 82.0"	ENDURA	FJP	N/A	+40.0	-40.0	+40.0	-40.0
	152.0" x 82.0"	ENDURA	FJP or PF	2X	+40.0	-40.0	+40.0	-40.0

FJP = FINGER JOINT PINE JAMB  
PF = POLY FIBER JAMB



Documents Prepared By: Lyndon F. Schmidt, P.E.  
TEXAS P.E. #104123

*R.W.* BUILDING CONSULTANTS, INC.  
P.O. Box 230 Valrico FL 33595  
Phone No.: 813.659.9197

TEXAS BOARD OF PROFESSIONAL ENGINEERS  
CERTIFICATE OF REGISTRATION # F-11852

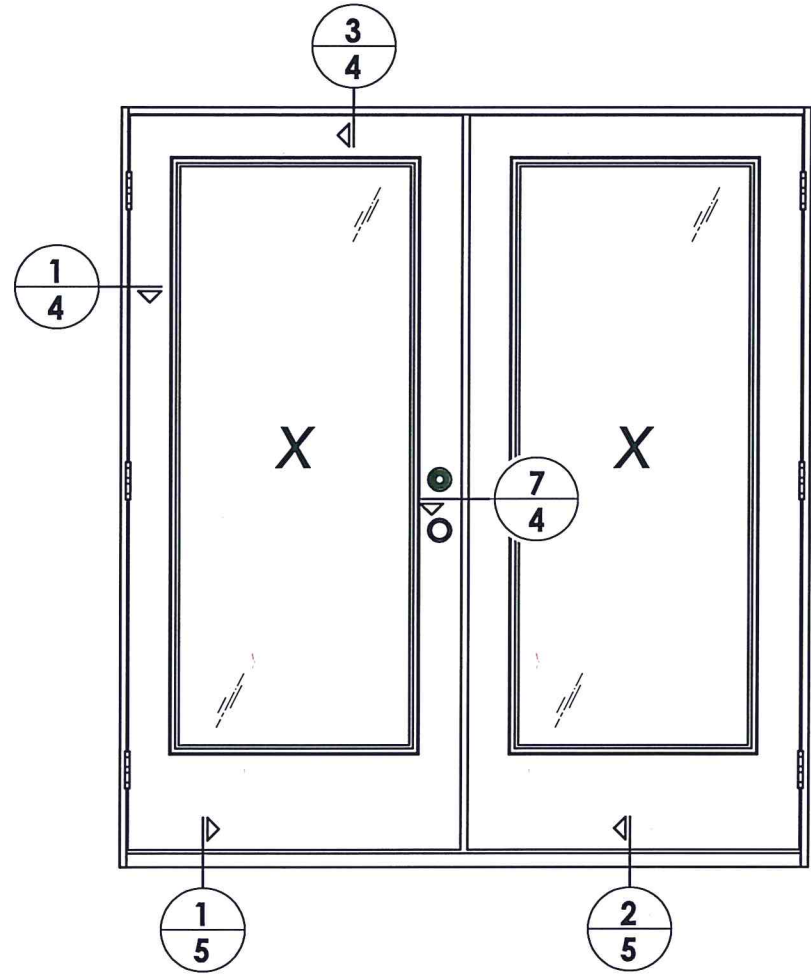
PRODUCT: PLASTPRO INC. FIBERGLASS DOOR

PART OR ASSEMBLY: TYPICAL ELEVATION, DESIGN PRESSURES & GENERAL NOTES

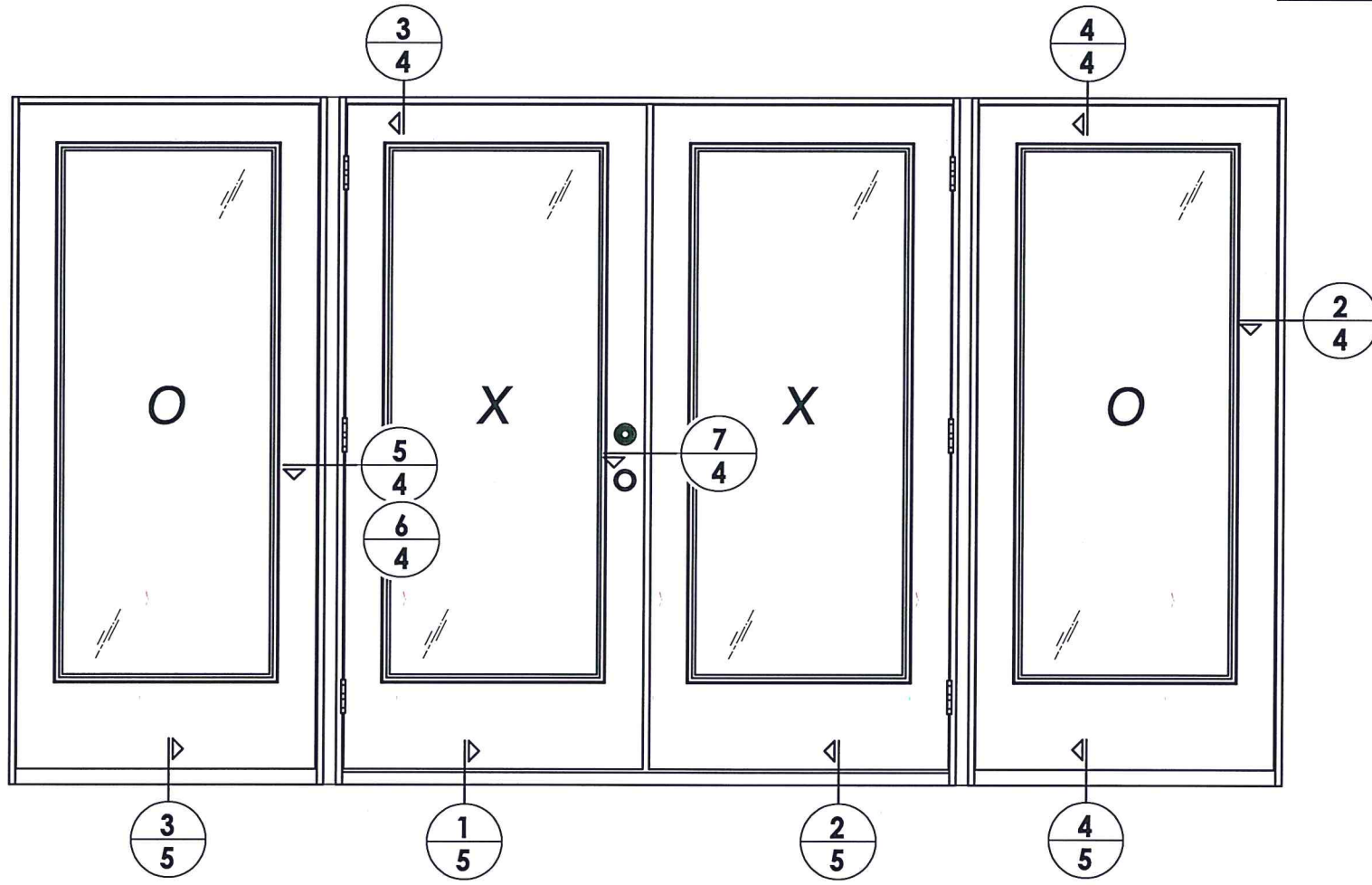
NO.	DATE	REVISIONS
1	5/26/20	UPDATE TO 2018 IBC/IRC CODE

DATE: 4/29/19  
SCALE: N.T.S.  
DWG. BY: MT  
CHK. BY: LFS  
DRAWING NO.: TX-4920  
SHEET 1 OF 7

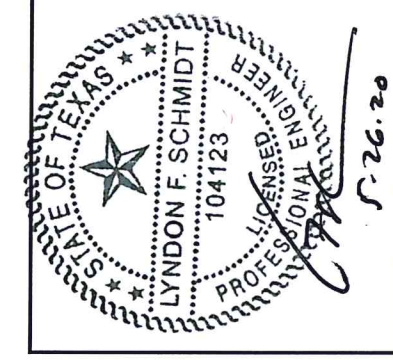




ELEVATION  
XX



ELEVATION  
OXO



Documents Prepared By: Lyndon F. Schmidt, P.E.  
TEXAS P.E. #104123

**RW** BUILDING CONSULTANTS, INC.  
P.O. Box 230 Valrico FL 33595  
Phone No.: 813.659.9197

TEXAS BOARD OF PROFESSIONAL ENGINEERS  
CERTIFICATE OF REGISTRATION # F-11852

PRODUCT: PLASTPRO INC. FIBERGLASS DOOR

PART OR ASSEMBLY: ELEVATIONS

REVISIONS	
NO.	DATE
1	5/26/20
	UPDATE TO 2018 IBC/IRC CODE
	LFS
	BY

DATE: 4/29/19

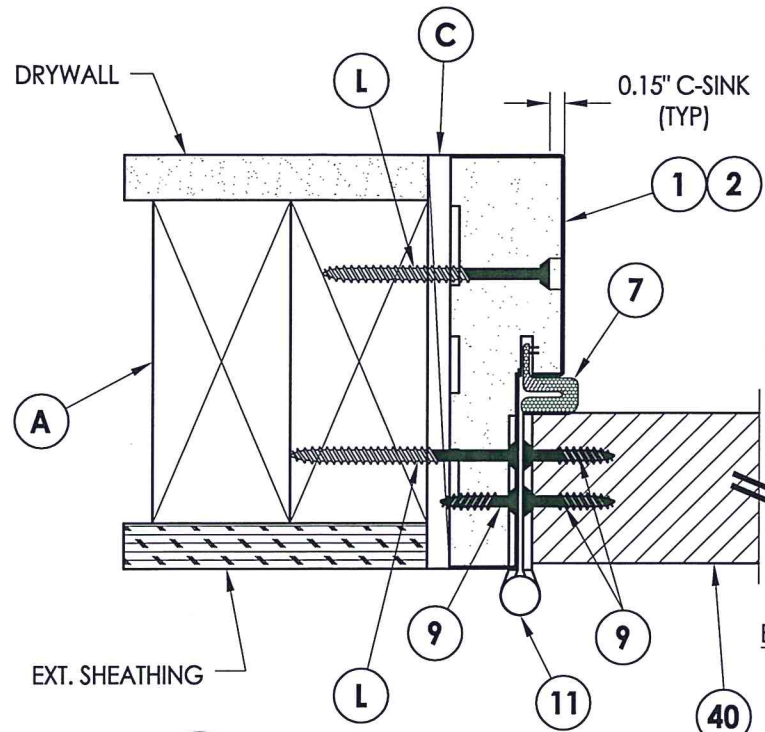
SCALE: N.T.S.

DWG. BY: MT

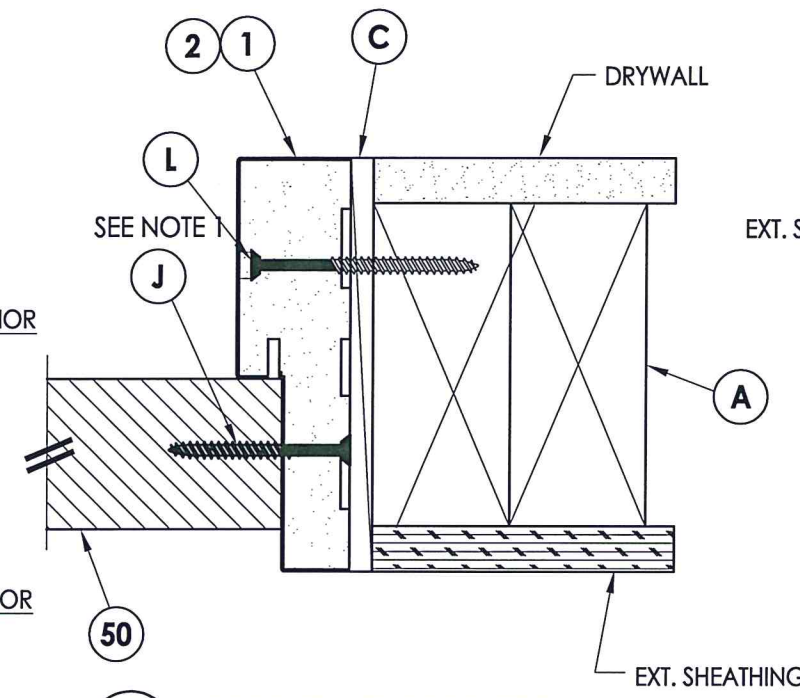
CHK. BY: LFS

DRAWING NO.: TX-4920

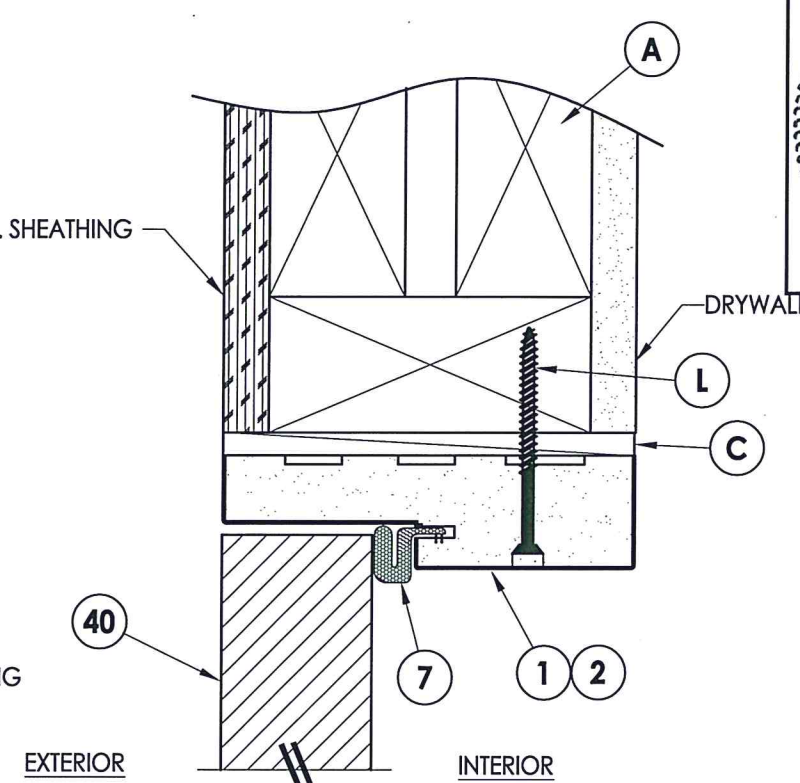
SHEET 3 OF 7



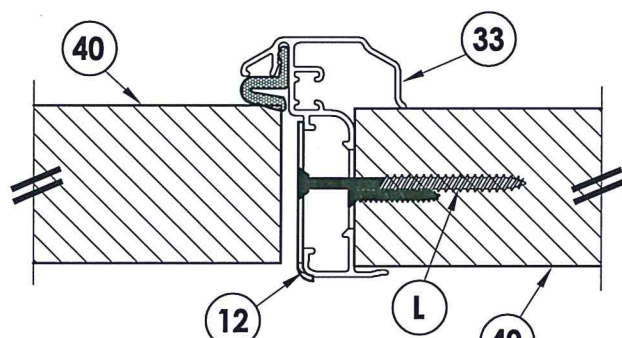
**1**  
**4** **HORIZONTAL CROSS SECTION**  
Outswing shown (Inswing similar)



**2**  
**4** **HORIZONTAL CROSS SECTION**  
Outswing shown (Inswing similar)

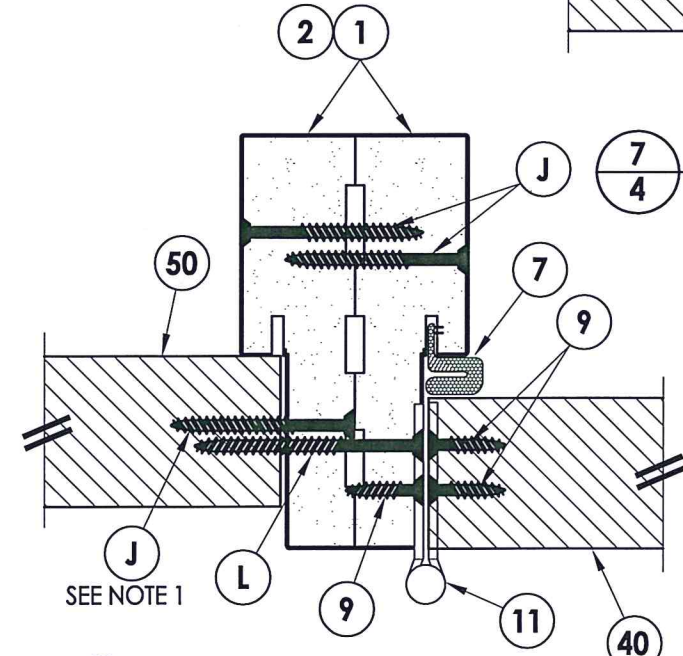


**3**  
**4** **VERTICAL CROSS SECTION**  
Outswing shown (Inswing similar)

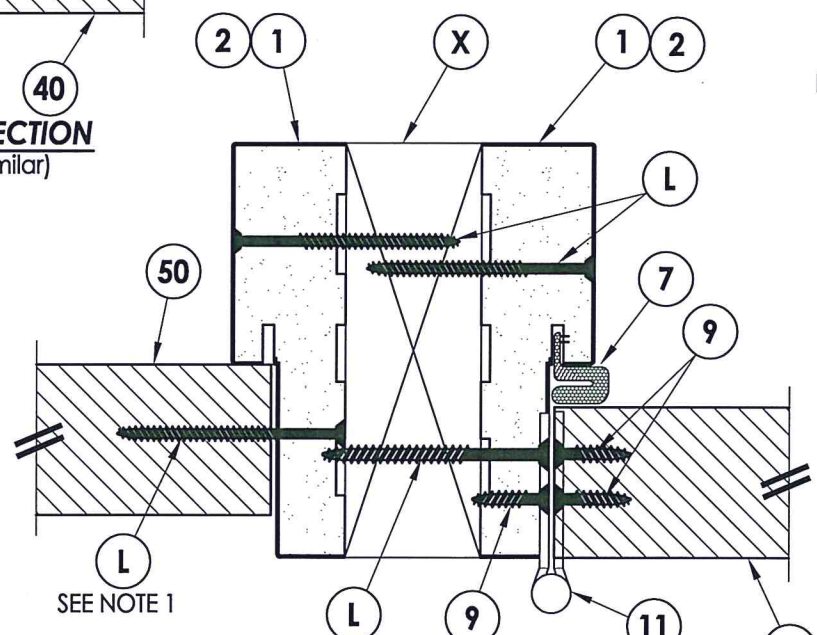


**7**  
**4** **HORIZONTAL CROSS SECTION**  
Outswing shown (Inswing similar)

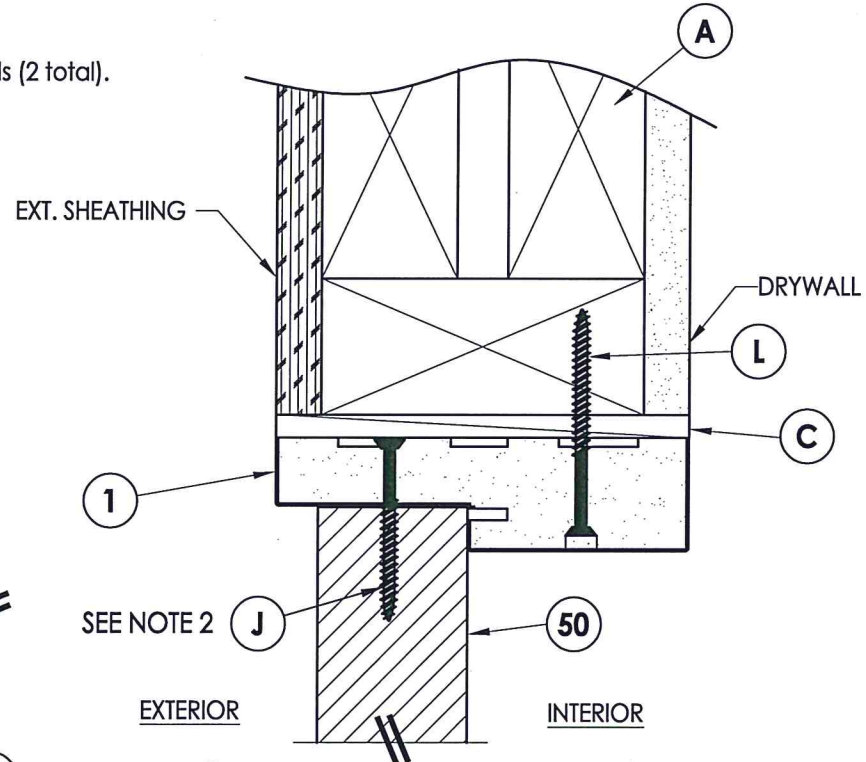
NOTES:  
1. Spacing for item J: 6" from each end and 5 more equally spaced along sidelite jamb (7 total).  
2. Spacing for item J @ head & sill: 6" from ends (2 total).



**5**  
**4** **HORIZONTAL CROSS SECTION**  
Outswing shown (Inswing similar)  
Back-to-Back Jamb



**6**  
**4** **HORIZONTAL CROSS SECTION**  
Outswing shown (Inswing similar)  
Shown w/ 2X Reinforcement



**4**  
**4** **VERTICAL CROSS SECTION**  
Outswing shown (Inswing similar)



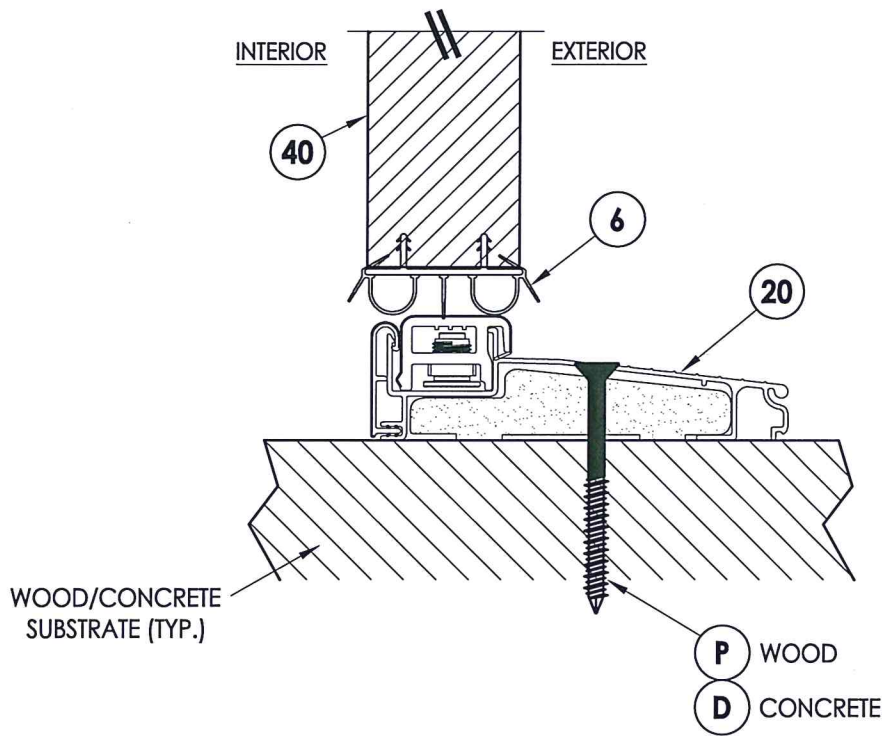
Documents Prepared By: Lyndon F. Schmidt, P.E.  
TEXAS P.E. #104123

**RW** BUILDING CONSULTANTS, INC.  
P.O. Box 230 Valrico FL 33595  
Phone No.: 813.659.9197  
TEXAS BOARD OF PROFESSIONAL ENGINEERS  
CERTIFICATE OF REGISTRATION # F-11852

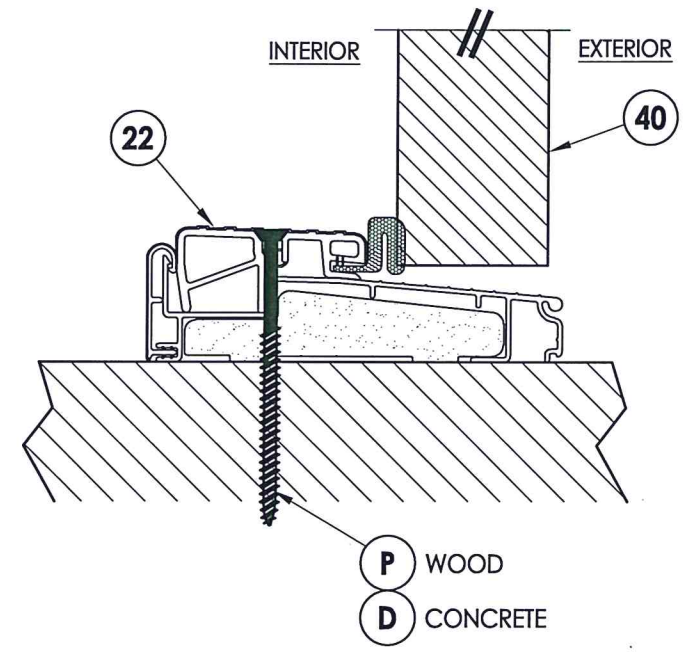
PRODUCT: PLASTPRO INC. FIBERGLASS DOOR  
PART OR ASSEMBLY: HORIZONTAL & VERTICAL CROSS SECTIONS

NO.	DATE	UPDATE TO 2018 IBC/IRC CODE	LFS	BY
1	5/26/20			

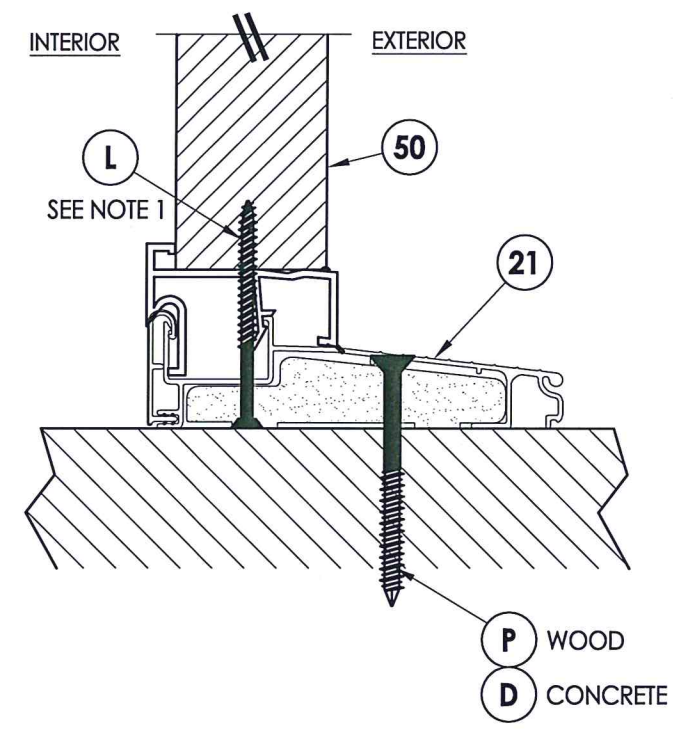
DATE: 4/29/19  
SCALE: N.T.S.  
DWG. BY: MT  
CHK. BY: LFS  
DRAWING NO.: TX-4920  
SHEET 4 OF 7



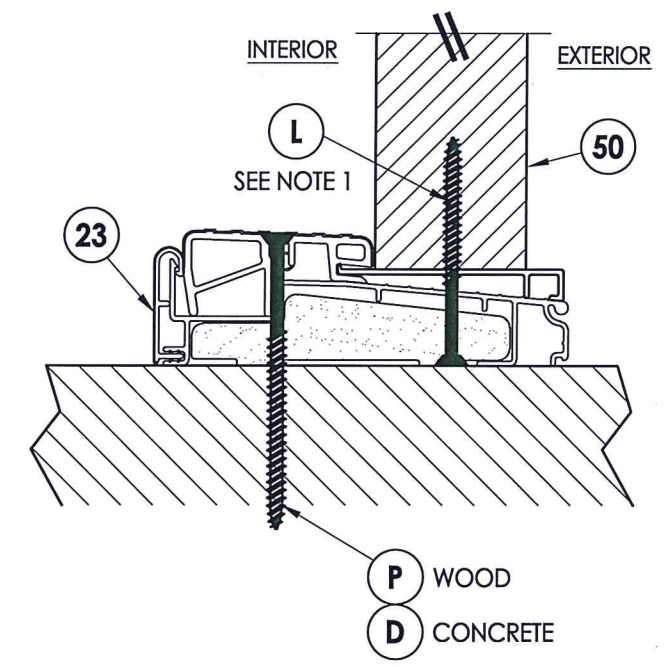
**1** VERTICAL CROSS SECTION  
**5** Inswing sill



**2** VERTICAL CROSS SECTION  
**5** Outswing sill

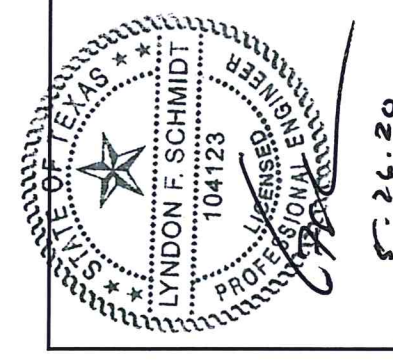


**3** VERTICAL CROSS SECTION  
**5** Inswing sill



**4** VERTICAL CROSS SECTION  
**5** Inswing sill

NOTE:  
1. Spacing for item J & L @ head & sill: 6" from each end (2 total).



Documents Prepared By: Lyndon F. Schmidt, P.E.  
TEXAS P.E. #104123

*RW* BUILDING CONSULTANTS, INC.  
P.O. Box 230 Valrico FL 33595  
Phone No.: 813.659.9197

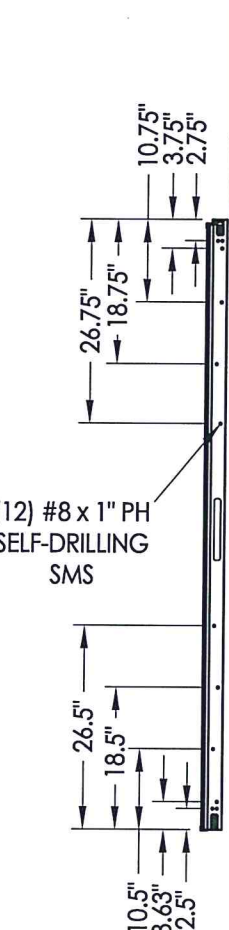
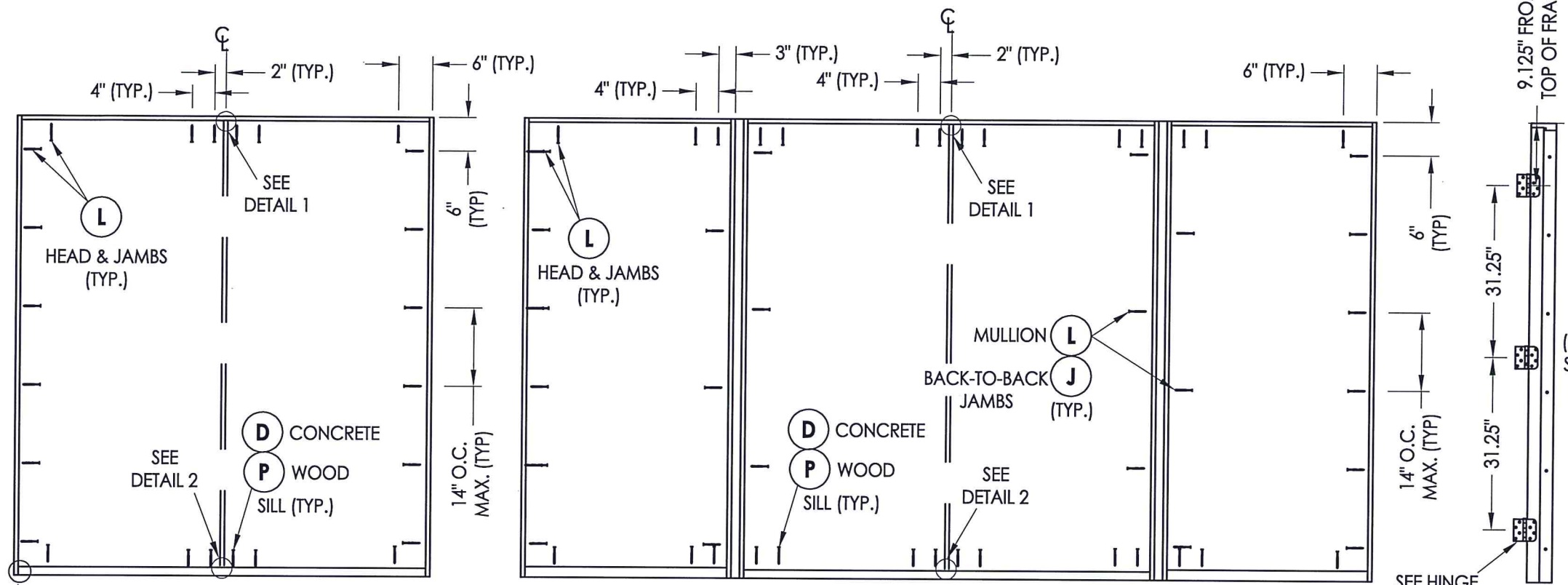
TEXAS BOARD OF PROFESSIONAL ENGINEERS  
CERTIFICATE OF REGISTRATION # F-11852

PRODUCT: PLASTPRO INC. FIBERGLASS DOOR

PART OR ASSEMBLY: VERTICAL CROSS SECTIONS

NO.	DATE	DESCRIPTION	BY
1	5/26/20	UPDATE TO 2018 IBC/IRC CODE	LFS

DATE: 4/29/19  
SCALE: N.T.S.  
DWG. BY: MT  
CHK. BY: LFS  
DRAWING NO.: TX-4920  
SHEET 5 OF 7



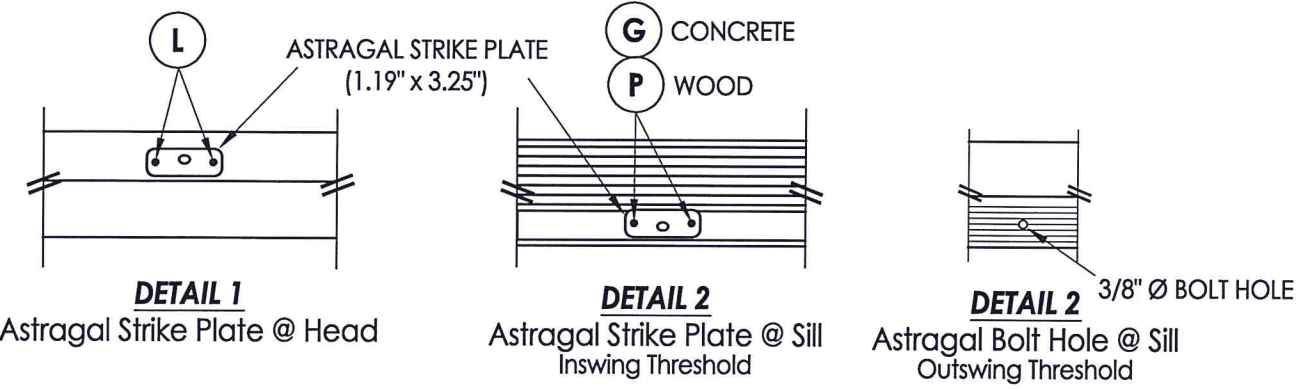
Documents Prepared By: Lyndon F. Schmidt, P.E.  
TEXAS P.E. #104123

**RW** BUILDING CONSULTANTS, INC.  
P.O. Box 230 Vairico FL, 33595  
Phone No.: 813.659.9197

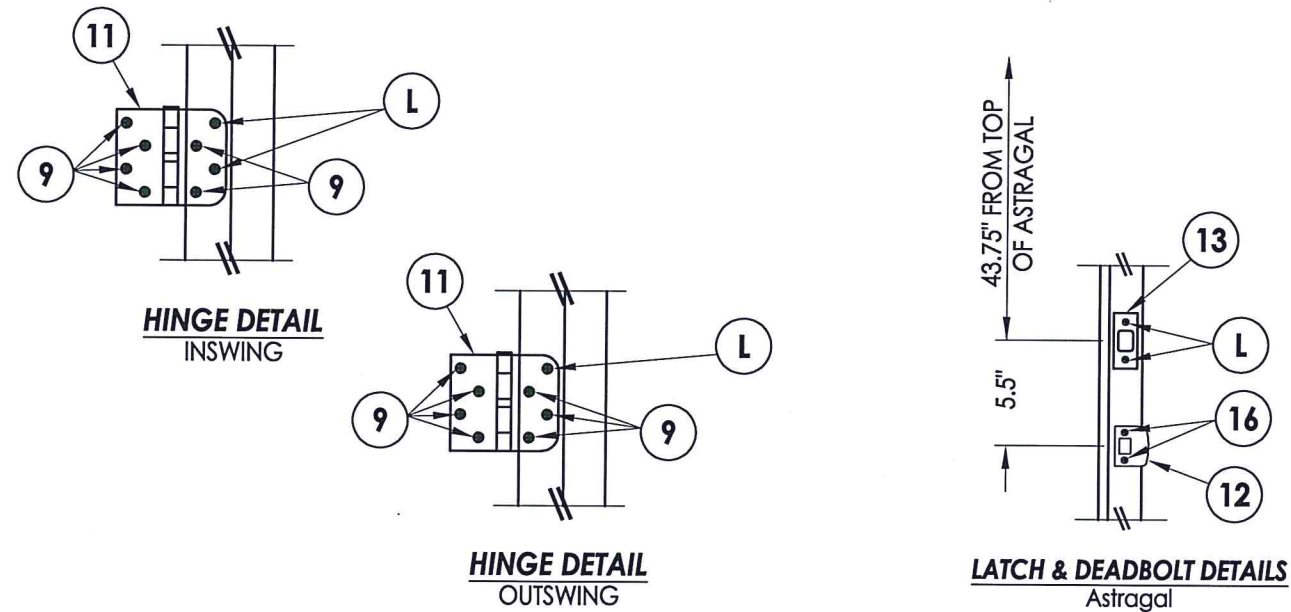
TEXAS BOARD OF PROFESSIONAL ENGINEERS  
CERTIFICATE OF REGISTRATION # F-11852

NOTE: FRAME CORNERS ATTACHED w/  
(3) #10 X 2-1/2" FH WOOD SCREWS (TYP.)

**FRAME ANCHORING**



**HARDWARE DETAILS**



PRODUCT:	PLASTPRO INC. FIBERGLASS DOOR						
PART OR ASSEMBLY:	FRAME ANCHORING & HARDWARE DETAILS						
DATE:	4/29/19						
SCALE:	N.T.S.						
DWG. BY:	MT						
CHK. BY:	LFS						
DRAWING NO.:	TX-4920						
SHEET	6 OF 7						
NO.	1	DATE	5/26/20	UPDATE TO 2018 IBC/IRC CODE	LFS	BY	
REVISIONS							

**BILL OF MATERIALS**

ITEM #	DESCRIPTION	MATERIAL
A	2X FRAMING (G >= 0.42)	WOOD
C	1/4" MAX. SHIM SPACE	-
D	1/4" Ø PFH ELCO OR ITW CONCRETE SCREW (1-3/4" MIN. EMBEDMENT)	STEEL
G	3/16" Ø PFH ITW CONCRETE SCREW (1-3/4" MIN. EMB.)	STEEL
J	#10 X 2" PFH WOOD SCREW	STEEL
L	#10 X 2-1/2" PFH WOOD SCREW (1.15" MIN. EMB.)	STEEL
P	#10 PFH WOOD SCREW (1-1/2" MIN. EMB.)	STEEL
1	POLY FIBER JAMB	COMP
2	FINGER JOINT PINE JAMB	WOOD
6	DOOR SWEEP	PVC
7	WEATHERSTRIP	FOAM
9	#9 X 3/4" PFH WOOD SCREW	STEEL
11	4" X 4" HINGE	STEEL
12	LATCH STRIKE PLATE	STEEL
13	DEADBOLT STRIKE PLATE	STEEL
16	#8 X 2-1/2" PFH WOOD SCREW	STEEL
20	INSWING THRESHOLD	ALUM/COMP
21	INSWING THRESHOLD w/ SIDELITE ADAPTER	ALUM/COMP
22	OUTSWING THRESHOLD	ALUM/COMP
23	OUTSWING THRESHOLD w/ SIDELITE ADAPTER	ALUM/COMP
33	ASTRAGAL (ENDURA)	ALUM
40	DOOR PANEL	-
50	SIDELITE PANEL	-

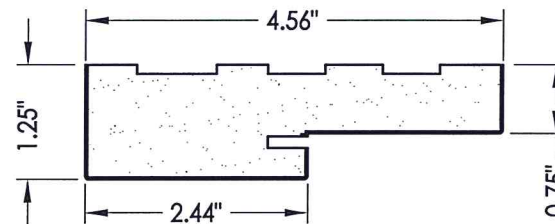
**CONCRETE ANCHOR NOTES:**

- Concrete anchor locations at the corners may be adjusted to maintain the min. edge distance to mortar joints.
- Concrete anchor locations noted as "MAX. ON CENTER" must be adjusted to maintain the min. edge distance to mortar joints, additional concrete anchors may be required to ensure the "MAX. ON CENTER" dimension are not exceeded.
- Concrete anchor table:

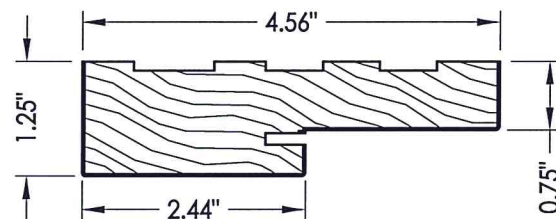
ANCHOR TYPE	ANCHOR SIZE	MIN. EMBEDMENT	MIN. CLEARANCE TO MASONRY EDGE	MIN. CLEARANCE TO ADJACENT ANCHOR
ITW BUILDEX TAPCON®	3/16"	1-3/4"	3"	1-1/2"
	1/4"	1-3/4"	2"	4"
ELCO ULTRACON®	1/4"	1-3/4"	1"	4"

**WOOD SCREW INSTALLATION NOTES:**

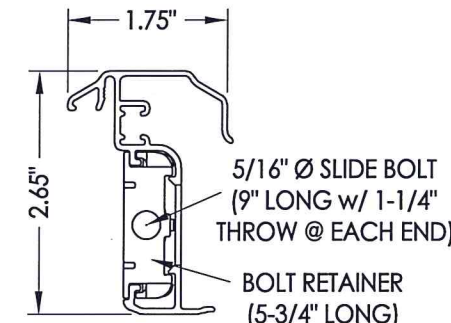
- Maintain a minimum 5/8" edge distance, 1" end distance, & 1" o.c. spacing of wood screws to prevent the splitting of wood.



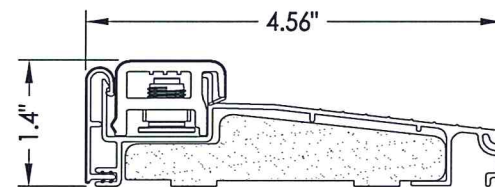
**1 POLY FIBER JAMB**  
Plastpro PF Jamb



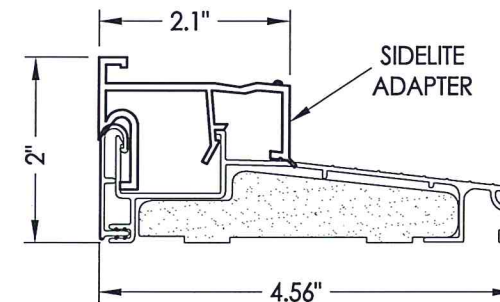
**2 FINGER JOINT PINE JAMB**



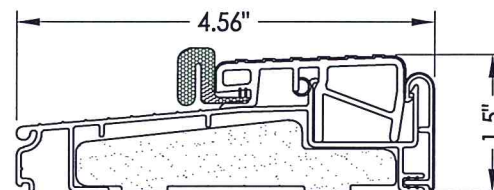
**33 ENDURA ASTRAGAL**  
ULTIMATE HURRICANE



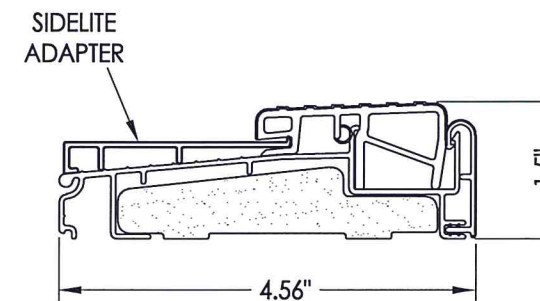
**20 INSWING THRESHOLD**  
Endura (Z-Series)



**21 INSWING THRESHOLD w/ SIDELITE ADAPTER**  
Endura (Z-Series)



**22 OUTSWING THRESHOLD**  
Endura (Z-Series)



**23 OUTSWING THRESHOLD w/ SIDELITE ADAPTER**  
Endura (Z-Series)



Documents Prepared By: Lyndon F. Schmidt, P.E.  
TEXAS P.E. #104123

RW BUILDING CONSULTANTS, INC.  
P.O. Box 230 Valrico FL 33595  
Phone No.: 813.659.9197

TEXAS BOARD OF PROFESSIONAL ENGINEERS  
CERTIFICATE OF REGISTRATION # F-11852

PRODUCT: PLASTPRO INC. FIBERGLASS DOOR  
PART OR ASSEMBLY: BILL OF MATERIALS & COMPONENTS

NO.	DATE	DESCRIPTION	BY
1	5/26/20	UPDATE TO 2018 IBC/IRC CODE	LFS

DATE: 4/29/19  
SCALE: N.T.S.  
DWG. BY: MT  
CHK. BY: LFS  
DRAWING NO.: TX-4920  
SHEET 7 OF 7