

REVISIONS			
REV	DESCRIPTION	DATE	APPROVED
A	REVISED TO ADD 3/4 LITE PANEL	02/10/2021	R.L.
B	REVISED TO ADD INSTALLATION DETAILS	03/14/2022	R.L.

NOTES:

1. THE PRODUCT SHOWN HEREIN IS DESIGNED AND MANUFACTURED TO COMPLY WITH REQUIREMENTS OF THE 2018 IBC AND 2018 IRC.
2. WOOD FRAMING AND MASONRY OPENING TO BE DESIGNED AND ANCHORED TO PROPERLY TRANSFER ALL LOADS TO STRUCTURE. FRAMING AND MASONRY OPENING IS THE RESPONSIBILITY OF THE ARCHITECT OR ENGINEER OF RECORD.
3. WHERE SHIM OR BUCK THICKNESS IS LESS THAN 1-1/2" WINDOW UNITS MUST BE ANCHORED THROUGH THE FRAME IN ACCORDANCE WITH MANUFACTURER'S PUBLISHED INSTALLATION INSTRUCTIONS. ANCHORS SHALL BE SECURELY FASTENED DIRECTLY INTO MASONRY, CONCRETE OR OTHER STRUCTURAL SUBSTRATE MATERIAL.
4. WHERE WOOD BUCK THICKNESS IS 1-1/2" OR GREATER, BUCK SHALL BE SECURELY FASTENED TO MASONRY, CONCRETE OR OTHER STRUCTURAL SUBSTRATE. WINDOW UNITS MAY BE ANCHORED THROUGH FRAME TO SECURED WOOD BUCK IN ACCORDANCE WITH MANUFACTURER'S PUBLISHED INSTALLATION INSTRUCTIONS.
5. WHERE 1X BUCK IS NOT USED DISSIMILAR MATERIALS MUST BE SEPARATED WITH APPROVED COATING OR MEMBRANE. SELECTION OF COATING OR MEMBRANE IS THE RESPONSIBILITY OF THE ARCHITECT OR ENGINEER OF RECORD.
6. BUCKS SHALL EXTEND BEYOND WINDOW INTERIOR FACE SO THAT FULL FRAME SUPPORT IS PROVIDED.
7. SHIM AS REQUIRED AT EACH ANCHOR LOCATION WITH LOAD BEARING SHIM. SHIM WHERE SPACE OF 1/16" OR GREATER OCCURS. MAXIMUM ALLOWABLE SHIM STACK TO BE 1/4".
8. SHIMS SHALL BE LOCATED, APPLIED AND MADE FROM MATERIALS AND THICKNESS CAPABLE OF SUSTAINING APPLICABLE LOADS.
9. WIND LOAD DURATION FACTOR Cd=1.6 WAS USED FOR WOOD ANCHOR CALCULATIONS.
10. FRAME MATERIAL: CO-EXTRUDED PVC FOAM.
11. UNITS MUST BE GLAZED PER ASTM E1300, SEE SHEET 17 FOR GLASS DETAILS.
12. APPROVED IMPACT PROTECTIVE SYSTEM IS NOT REQUIRED FOR THIS PRODUCT IN WIND BORNE DEBRIS REGIONS.
13. FOR ANCHORING INTO WOOD FRAMING OR 2X BUCK USE #10 WOOD SCREWS WITH SUFFICIENT LENGTH TO ACHIEVE A 1 1/4" MINIMUM EMBEDMENT INTO SUBSTRATE. LOCATE ANCHORS AS SHOWN IN ELEVATIONS AND INSTALLATION DETAILS.

14. FOR ANCHORING INTO MASONRY/CONCRETE USE 1/4" TAPCONS WITH SUFFICIENT LENGTH TO ACHIEVE A 1 1/4" MINIMUM EMBEDMENT INTO SUBSTRATE WITH 2" MINIMUM EDGE DISTANCE. LOCATE ANCHORS AS SHOWN IN ELEVATIONS AND INSTALLATION DETAILS.
15. FOR ANCHORING INTO METAL STRUCTURE USE #10 SMS OR SELF DRILLING SCREWS WITH SUFFICIENT LENGTH TO ACHIEVE 3 THREADS MINIMUM BEYOND STRUCTURE INTERIOR WALL. LOCATE ANCHORS AS SHOWN IN ELEVATIONS AND INSTALLATION DETAILS.
16. ALL FASTENERS TO BE CORROSION RESISTANT.
17. INSTALLATION ANCHORS SHALL BE INSTALLED IN ACCORDANCE WITH ANCHOR MANUFACTURER'S INSTALLATION INSTRUCTIONS AND ANCHORS SHALL NOT BE USED IN SUBSTRATES WITH STRENGTHS LESS THAN THE MINIMUM STRENGTH SPECIFIED BELOW:
 - A. WOOD - MINIMUM SPECIFIC GRAVITY OF G=0.42
 - B. CONCRETE - MINIMUM COMPRESSIVE STRENGTH OF 3,192 PSI.
 - C. MASONRY - STRENGTH CONFORMANCE TO ASTM C-90, GRADE N, TYPE 1 (OR GREATER).
 - D. METAL STRUCTURE: STEEL 18GA, 33KSI OR ALUMINUM 6063-T5 .125" THICK MINIMUM
18. APPROVED CONFIGURATIONS: X, X/O, O/X, OX, XO, OX/O, XO/O, XX, XX/O, O/XX, OXX, XXO, OXX/O AND O/XXO, SEE SHEET 3.
19. SIDELITES ARE ASSEMBLED TO FRAME WITH #10 X 3" WOOD SCREWS LOCATED 4" FROM EACH END AND 23 1/8" MAX O.C. THEREAFTER AT JAMBS AND 4" FROM EACH END AND ONE AT MIDSPAN AT HEAD AND SILL.

SIGNED: 03/25/2022

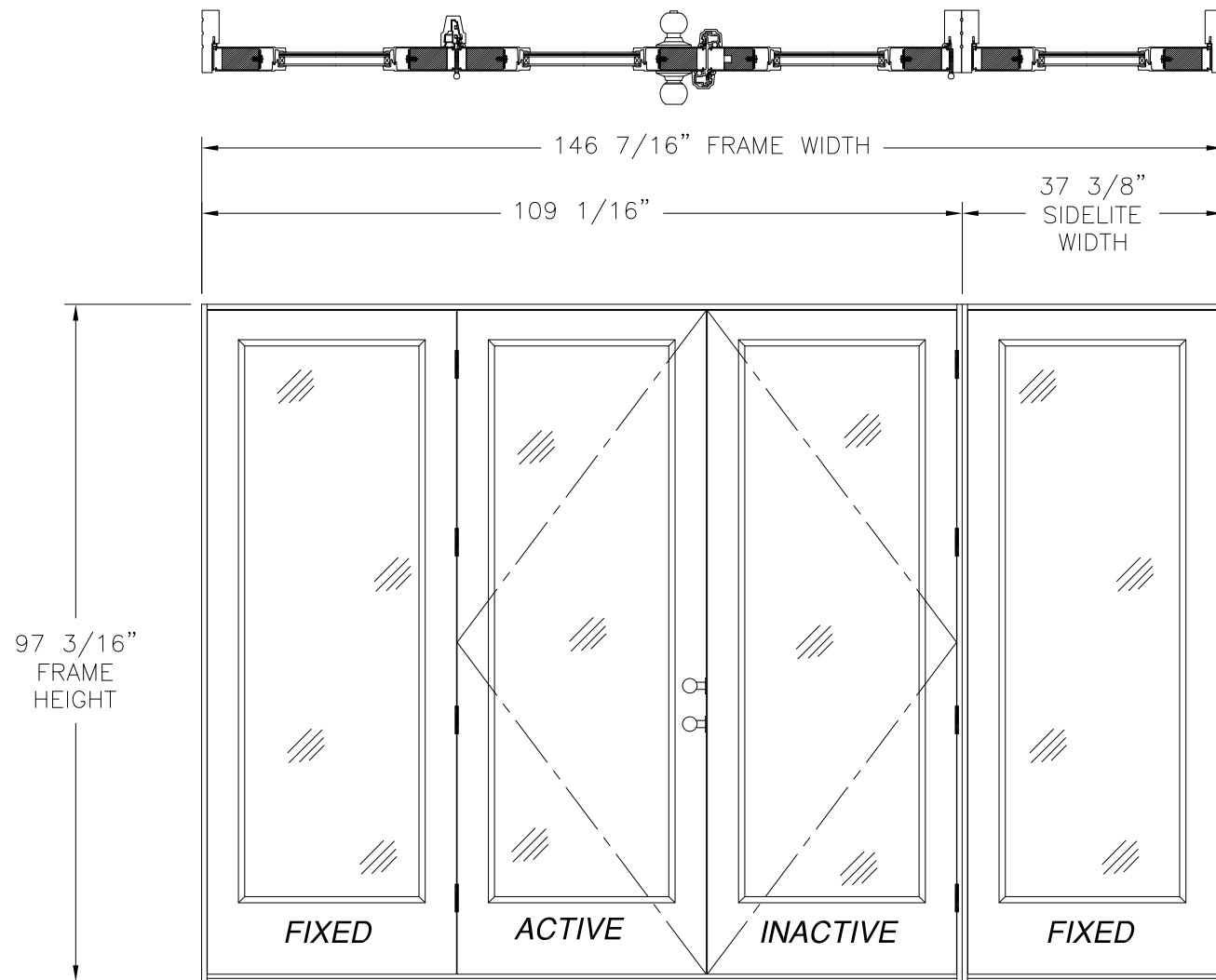
TABLE OF CONTENTS	
SHEET NO.	DESCRIPTION
1	NOTES
2	ELEVATION AND GLAZING DETAIL
3 - 4	APPROVED CONFIGURATIONS
5 - 6	ANCHORING LAYOUTS
7 - 15	INSTALLATION DETAILS
16 - 17	COMPONENTS

<p>NAN YA PLASTICS CORPORATION U.S.A. 8989 NORTH LOOP EAST HOUSTON, TX 77029</p>		
<p>SERIES SLPS LITE GLAZED FIBERGLASS OUTSWING SIDE-HINGED DOOR W/SIDELITES - IMPACT NOTES</p>		
DRAWN: A.R.	DWG NO. 08-03308	REV B
SCALE NTS	DATE 08/28/18	SHEET 1 OF 17
<p>L. ROBERTO LOMAS P.E. 400 S. PALM AVE, INDIALANTIC, FL 32903 434-688-0609 rllomas@rlomaspe.com</p>		



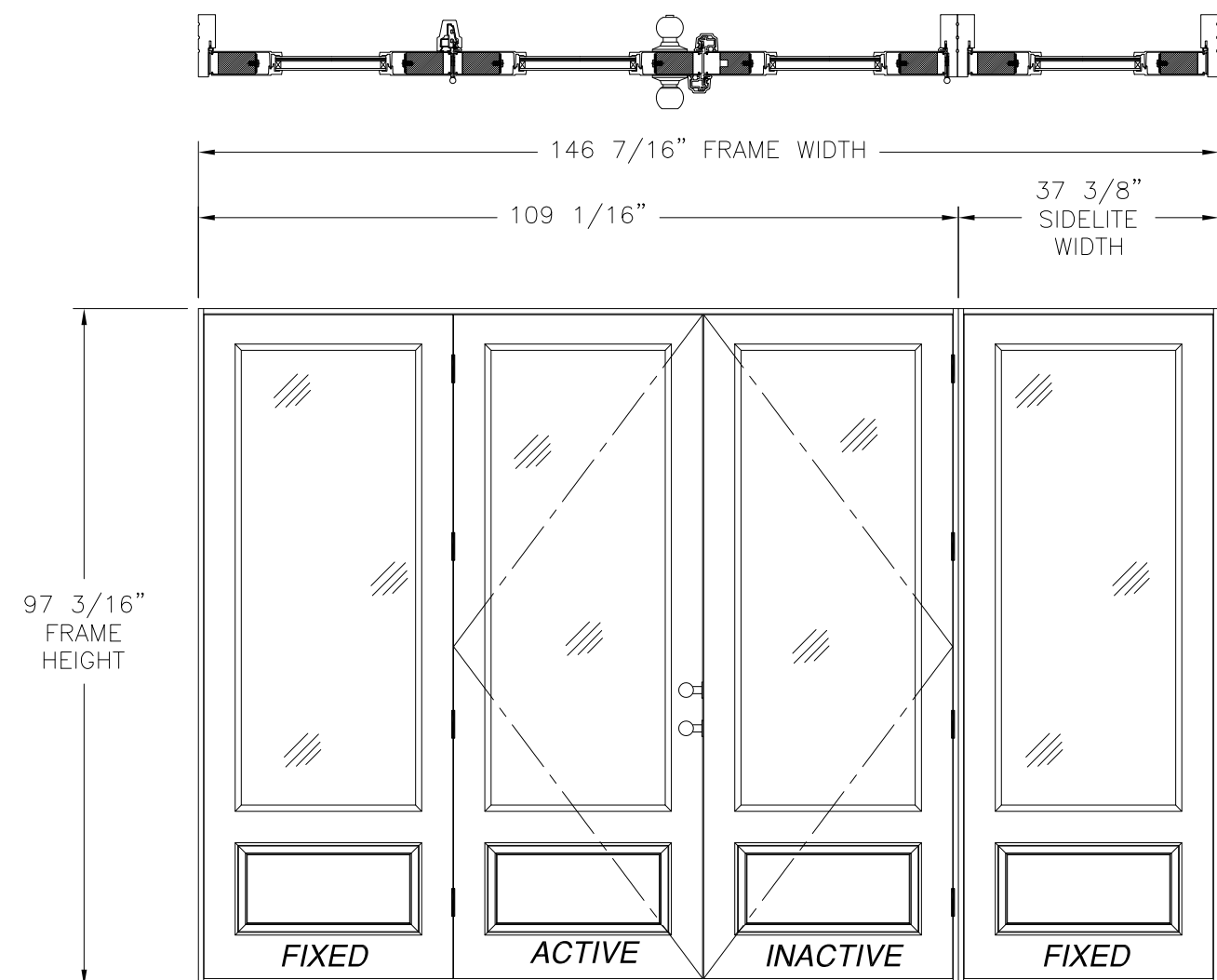
Luis R. Lomas P.E.
 TX No.: 101889
 Firm No: F-23130

REVISIONS			
REV	DESCRIPTION	DATE	APPROVED
A	REVISED TO ADD 3/4 LITE PANEL	02/10/2021	R.L.
B	REVISED TO ADD INSTALLATION DETAILS	03/14/2022	R.L.



SERIES SLPS OUT-SWING SIDE-HINGED DOOR W/SIDELITES

EXTERIOR VIEW
FULL LITE PANEL



SERIES SLPS OUT-SWING SIDE-HINGED DOOR W/SIDELITES

EXTERIOR VIEW
3/4 LITE PANEL

DESIGN PRESSURE RATING	IMPACT RATING
±45.0PSF	LARGE AND SMALL MISSILE IMPACT

MISSILE LEVEL D, WIND ZONE 4

NOTES:

- PANEL SIZE: 35 3/4" X 95 1/4"
- D.L.O.: 25" X 79"

HARDWARE SCHEDULE

A.	HANDLE SETS AT ACTIVE PANEL
B.	STAINLESS STEEL FLUSH BOLT BAR WITH KEEPER AT PASSIVE PANEL
C.	FLUSH BOLT MECHANISM (DIE CAST, STEEL, POM) AT PASSIVE PANEL
D.	STEEL DEADBOLT WITH KEEPER, 54" FROM TOP OF DOOR PANEL AT ACTIVE PANEL
E.	STEEL LATCH WITH KEEPER, 59 1/2" FROM TOP OF DOOR PANEL AT ACTIVE PANEL
F.	(4) 4X4 DOOR HINGE, 5 3/4", 31 1/4", 56 3/4" & 82 1/4" FROM FRAME HEAD AT STILE OF ACTIVE AND PASSIVE PANEL
G.	ALUMINUM REINFORCEMENT (A) AT ASTRAGAL
H.	ALUMINUM MULLION REINFORCEMENT (B) AT INTEGRAL MULLION

SIGNED: 03/25/2022

NAN YA PLASTICS CORPORATION U.S.A.

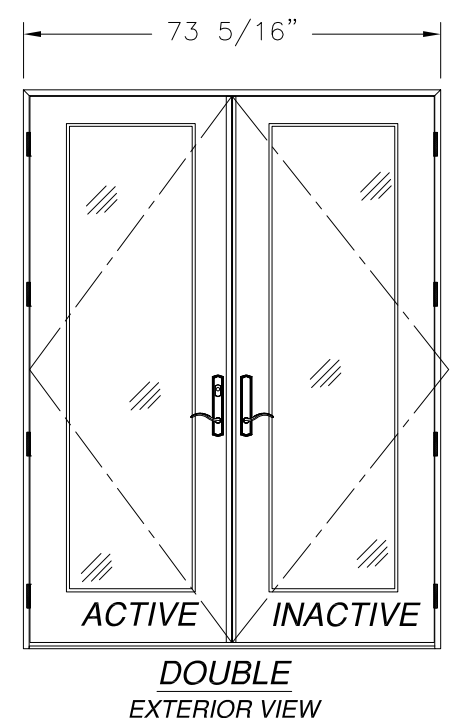
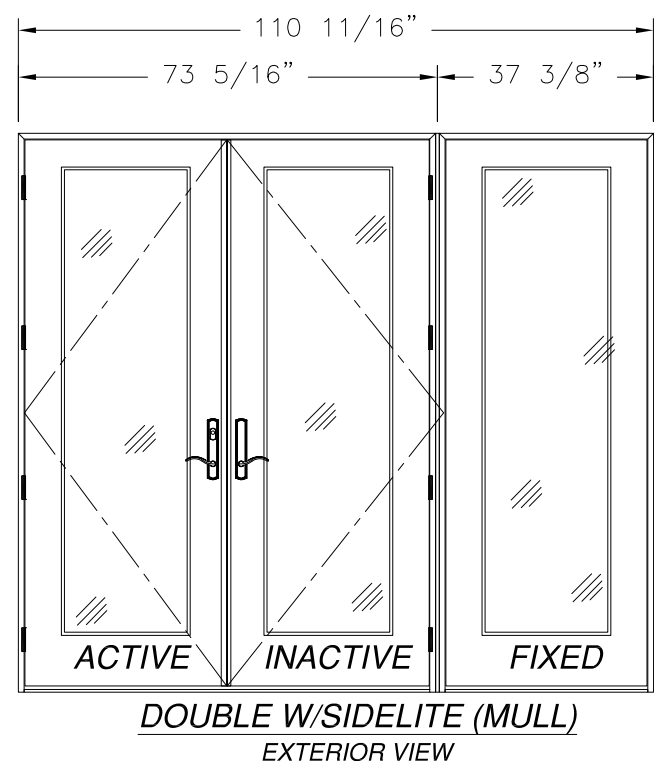
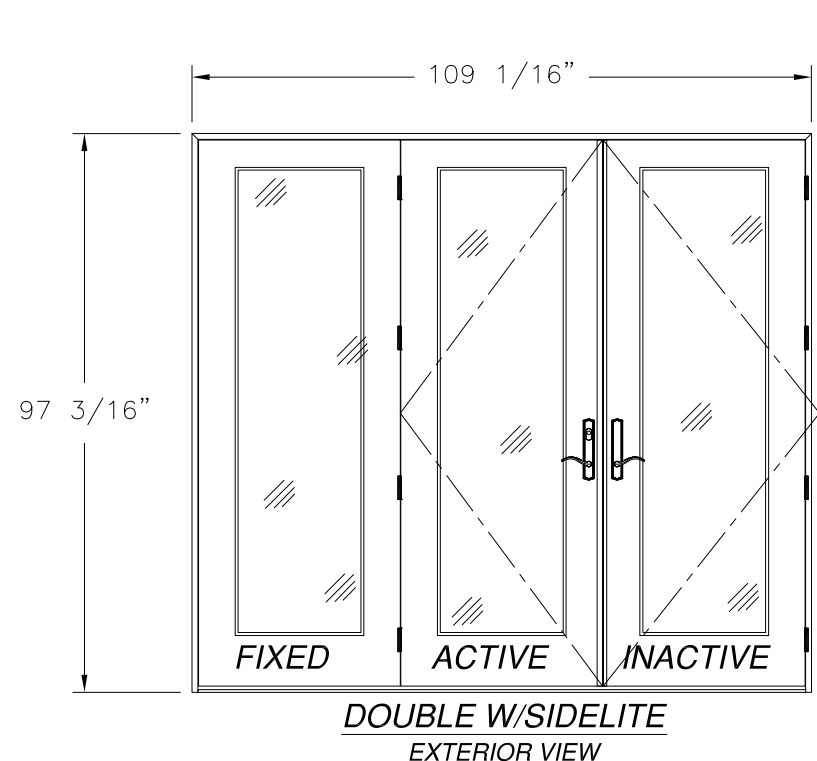
8989 NORTH LOOP EAST
HOUSTON, TX 77029

SERIES SLPS LITE GLAZED FIBERGLASS OUTSWING
SIDE-HINGED DOOR W/SIDELITES - IMPACT
ELEVATIONS

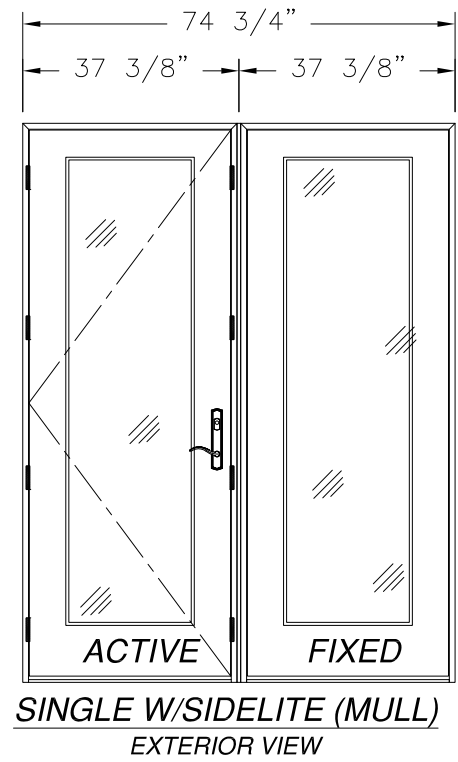
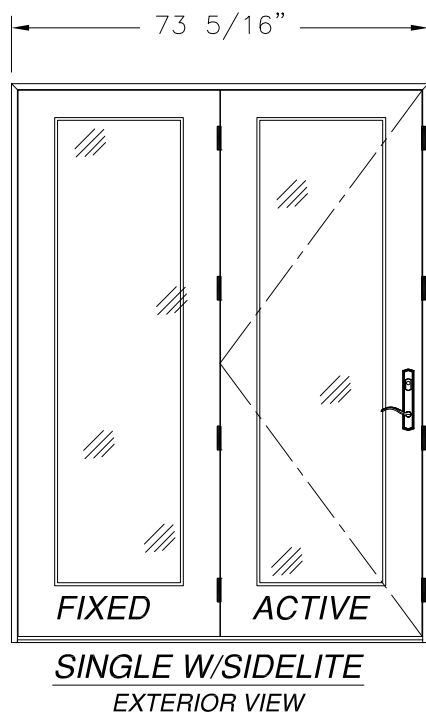
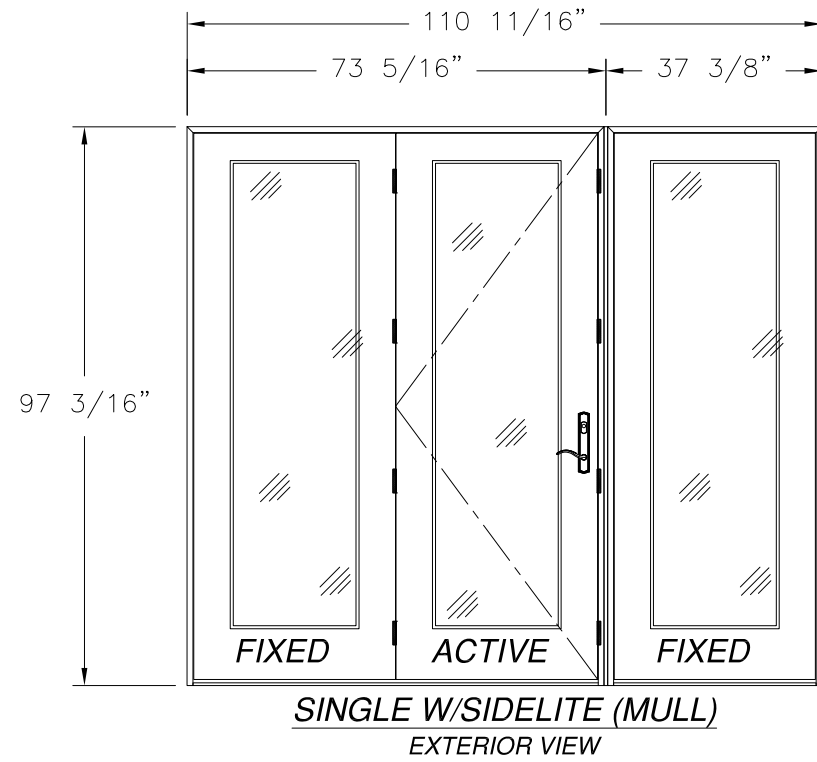
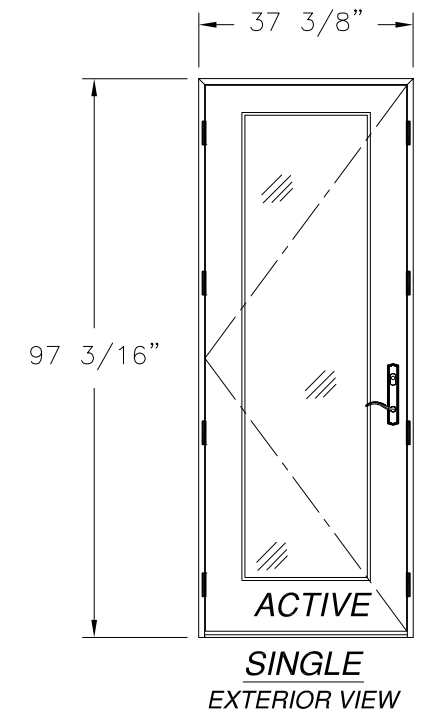
DRAWN: A.R.	DWG NO. 08-03308	REV B
SCALE NTS	DATE 08/28/18	SHEET 2 OF 17
L. ROBERTO LOMAS P.E. 400 S. PALM AVE, INDIALANTIC, FL 32903 434-688-0609 rllomas@rlomaspe.com		



Luis R. Lomas P.E.
TX No.: 101889
Firm No: F-23130



REVISIONS			
REV	DESCRIPTION	DATE	APPROVED
A	REVISED TO ADD 3/4 LITE PANEL	02/10/2021	R.L.
B	REVISED TO ADD INSTALLATION DETAILS	03/14/2022	R.L.



NOTE:
ALL APPROVED CONFIGURATIONS ARE SHOWN AS LEFT
HAND ACTIVE, RIGHT HAND ACTIVE IS ALSO APPROVED.

SIGNED: 03/25/2022

NAN YA PLASTICS CORPORATION U.S.A.
8989 NORTH LOOP EAST
HOUSTON, TX 77029

SERIES SLPS LITE GLAZED FIBERGLASS OUTSWING
SIDE-HINGED DOOR W/SIDELITES - IMPACT
APPROVED CONFIGURATIONS FULL LITE PANEL

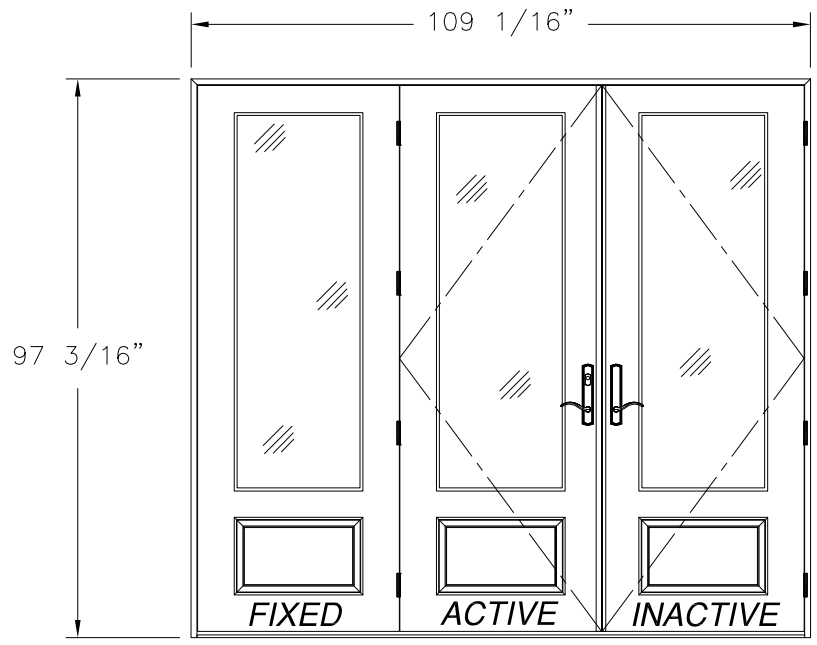
DRAWN: A.R.	DWG NO. 08-03308	REV B
SCALE NTS	DATE 08/28/18	SHEET 3 OF 17

L. ROBERTO LOMAS P.E.
400 S. PALM AVE, INDIALANTIC, FL 32903
434-688-0609 rllomas@rlomaspe.com

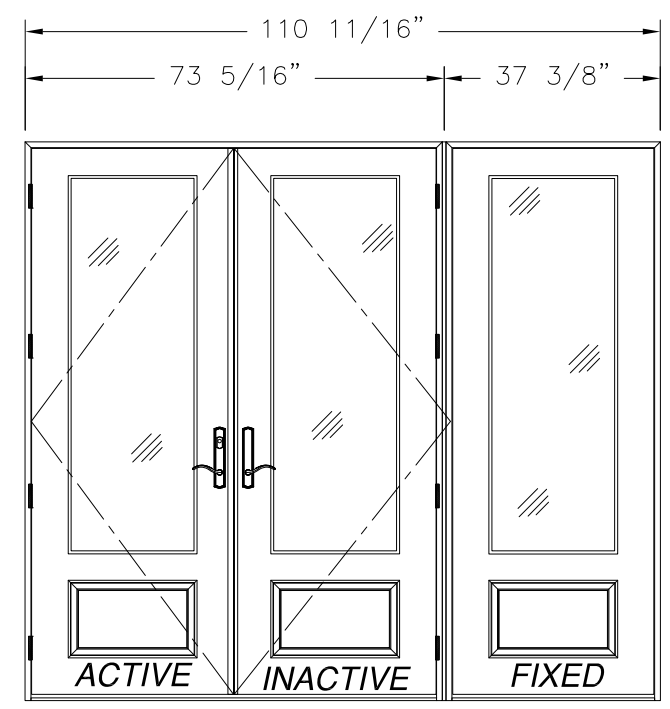


Luis R. Lomas P.E.
TX No.: 101889
Firm No: F-23130

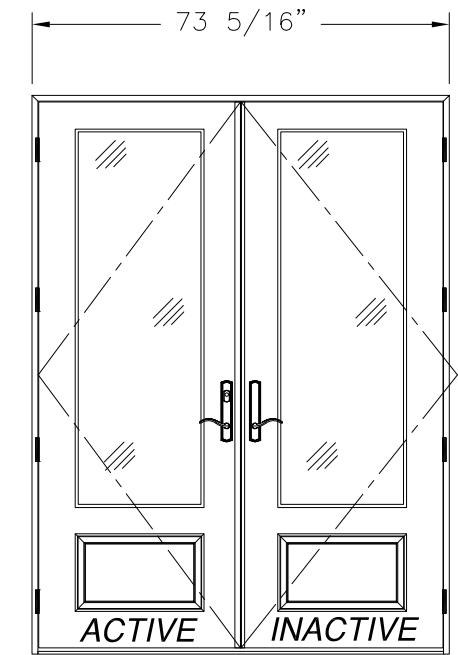
REVISIONS			
REV	DESCRIPTION	DATE	APPROVED
A	REVISED TO ADD 3/4 LITE PANEL	02/10/2021	R.L.
B	REVISED TO ADD INSTALLATION DETAILS	03/14/2022	R.L.



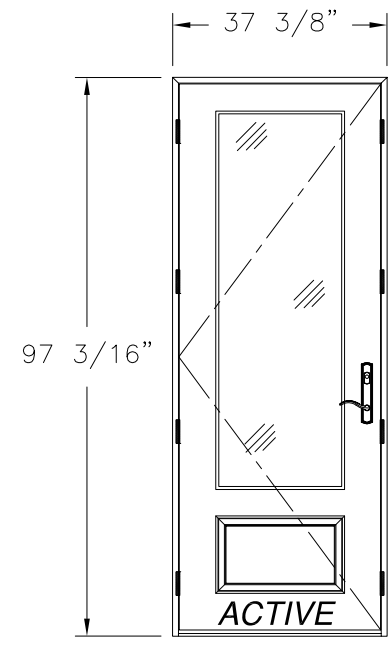
DOUBLE W/SIDELITE
EXTERIOR VIEW



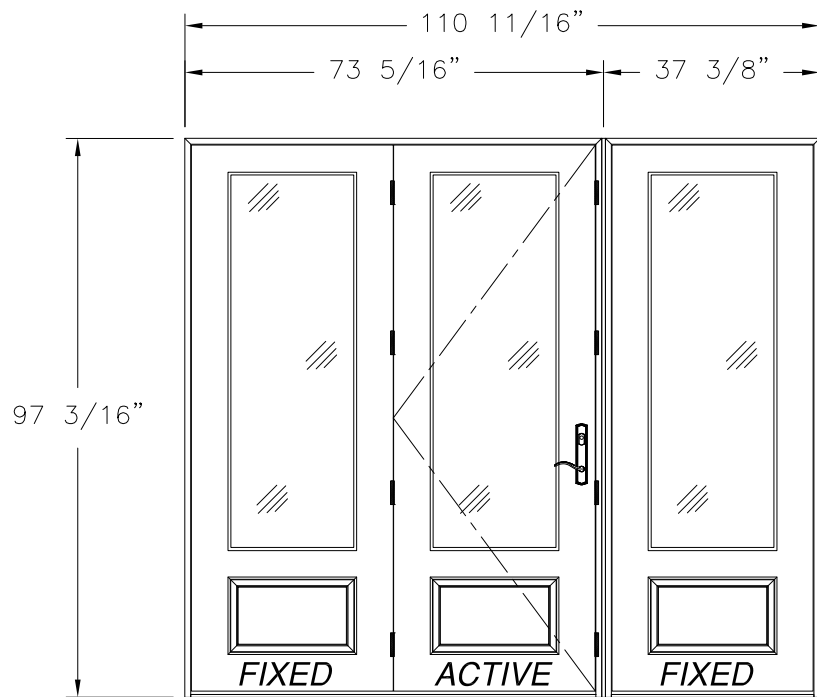
DOUBLE W/SIDELITE (MULL)
EXTERIOR VIEW



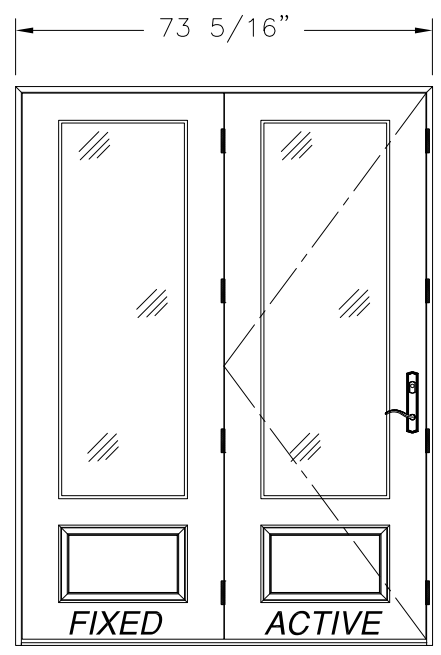
DOUBLE
EXTERIOR VIEW



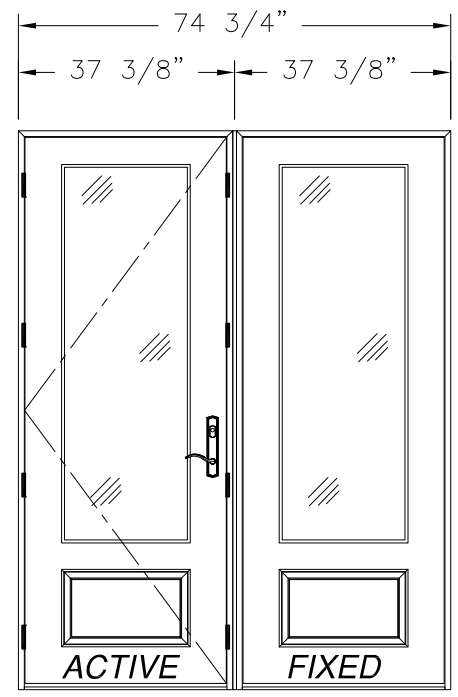
SINGLE
EXTERIOR VIEW



SINGLE W/SIDELITE (MULL)
EXTERIOR VIEW



SINGLE W/SIDELITE
EXTERIOR VIEW



SINGLE W/SIDELITE (MULL)
EXTERIOR VIEW

NOTE:
ALL APPROVED CONFIGURATIONS ARE SHOWN AS LEFT
HAND ACTIVE, RIGHT HAND ACTIVE IS ALSO APPROVED.

SIGNED: 03/25/2022

NAN YA PLASTICS CORPORATION U.S.A.
8989 NORTH LOOP EAST
HOUSTON, TX 77029

SERIES SLPS LITE GLAZED FIBERGLASS OUTSWING
SIDE-HINGED DOOR W/SIDELITES - IMPACT
APPROVED CONFIGURATIONS 3/4 LITE PANEL

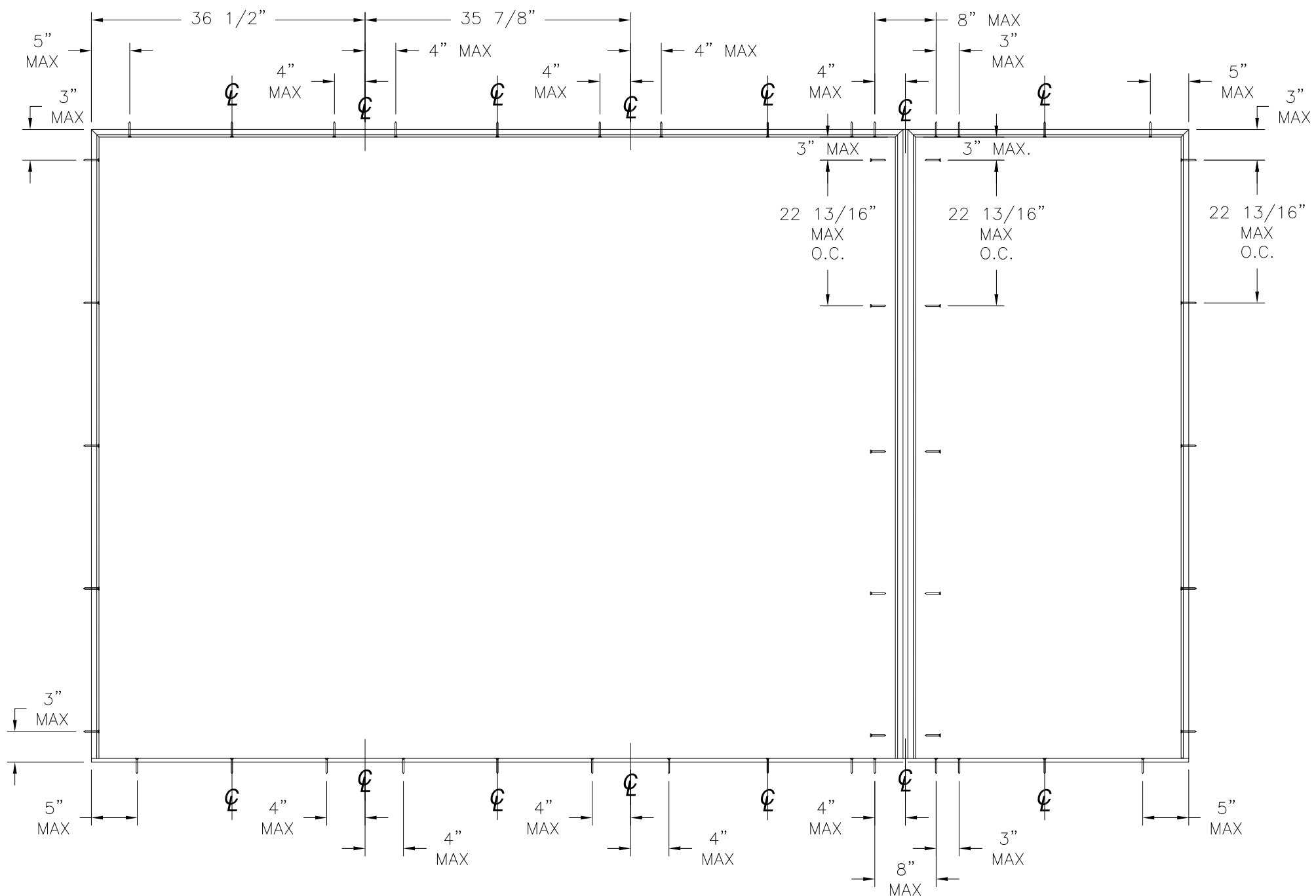
DRAWN: A.R.	DWG NO. 08-03308	REV B
SCALE NTS	DATE 08/28/18	SHEET 4 OF 17

L. ROBERTO LOMAS P.E.
400 S. PALM AVE, INDIALANTIC, FL 32903
434-688-0609 rllomas@rlomaspe.com



Luis R. Lomas P.E.
TX No.: 101889
Firm No: F-23130

REVISIONS			
REV	DESCRIPTION	DATE	APPROVED
A	REVISED TO ADD 3/4 LITE PANEL	02/10/2021	R.L.
B	REVISED TO ADD INSTALLATION DETAILS	03/14/2022	R.L.



ANCHORING LAYOUT

SIGNED: 03/25/2022

NAN YA PLASTICS CORPORATION U.S.A.
 8989 NORTH LOOP EAST
 HOUSTON, TX 77029

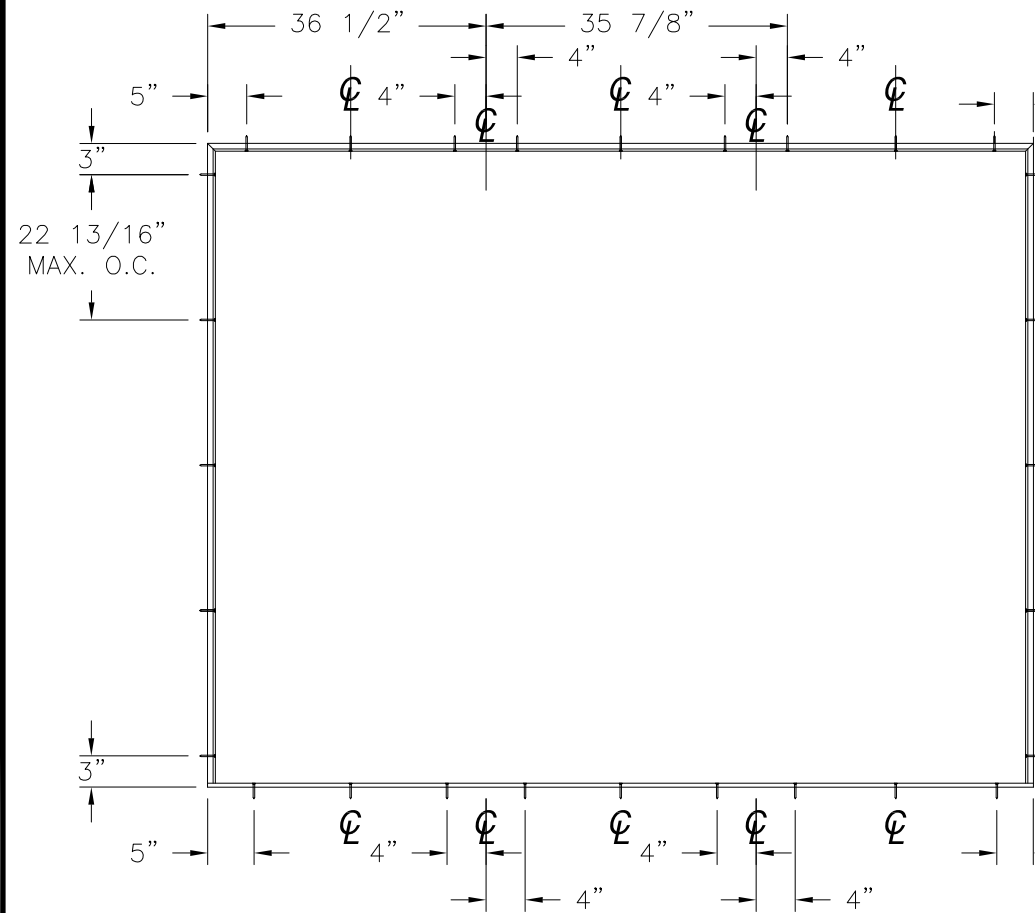
SERIES SLPS LITE GLAZED FIBERGLASS OUTSWING
 SIDE-HINGED DOOR W/SIDELITES - IMPACT
 ANCHORING LAYOUT

DRAWN: A.R.	DWG NO. 08-03308	REV B
SCALE NTS	DATE 08/28/18	SHEET 5 OF 17

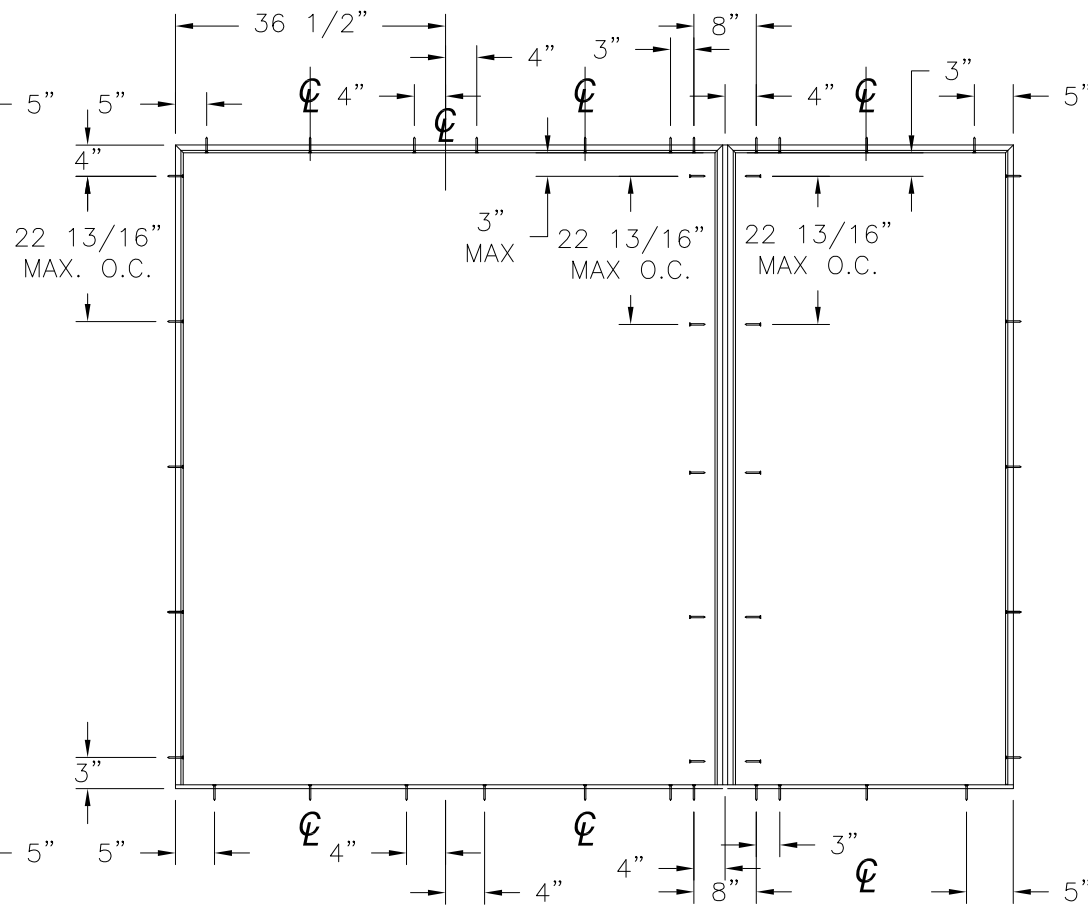
L. ROBERTO LOMAS P.E.
 400 S. PALM AVE, INDIALANTIC, FL 32903
 434-688-0609 rllomas@rlomaspe.com



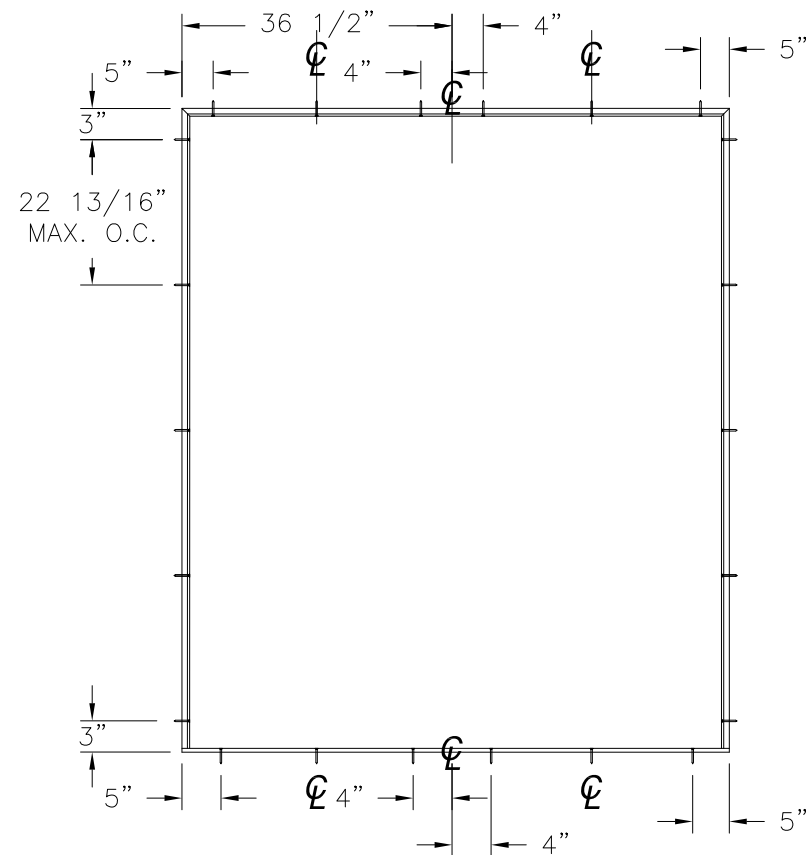
Luis R. Lomas P.E.
 TX No.: 101889
 Firm No: F-23130



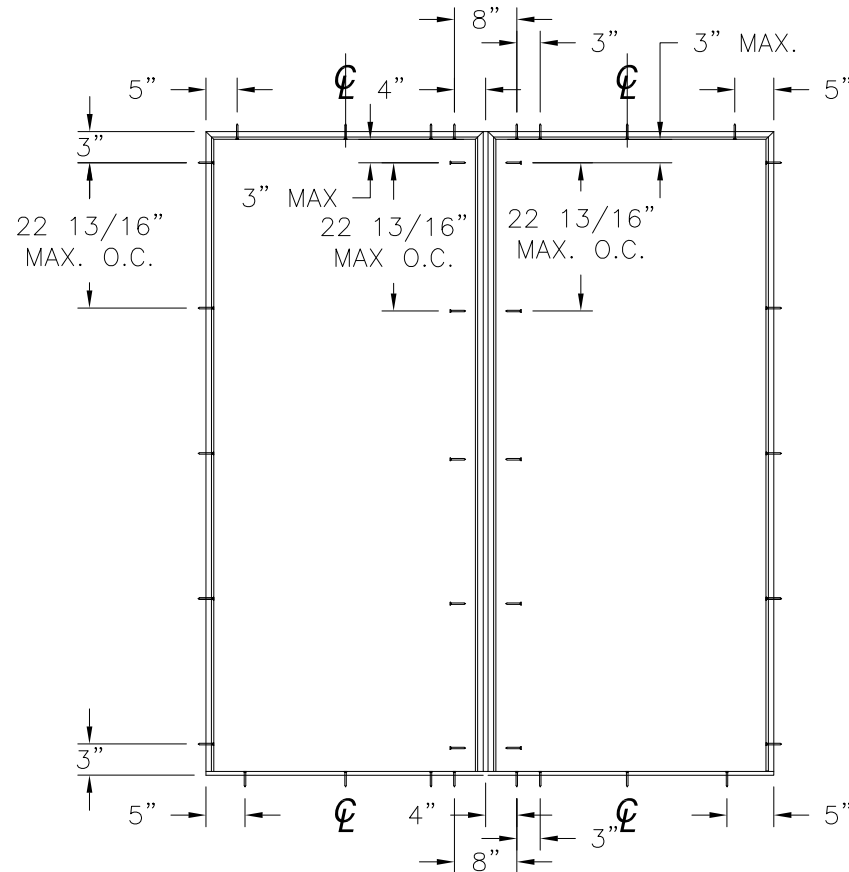
ANCHORING LAYOUT FOR OXO, XXO AND OXX



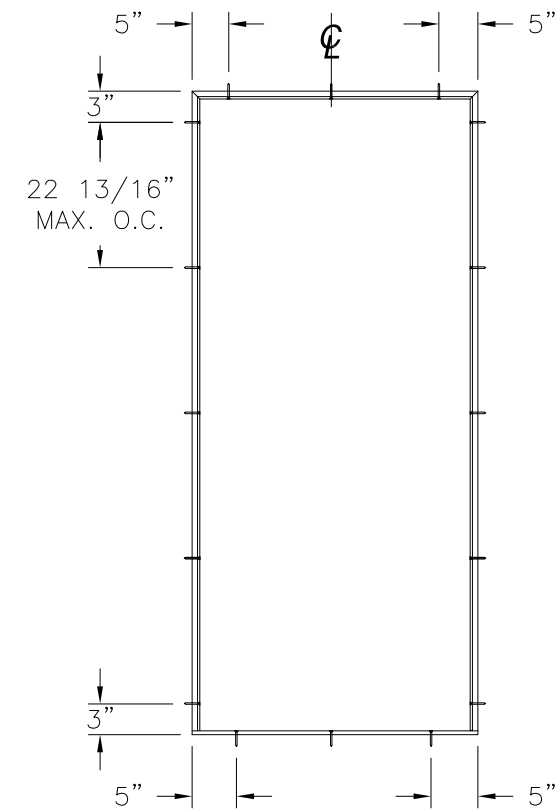
ANCHORING LAYOUT FOR OXO, XXO AND OXX (MULL)



ANCHORING LAYOUT FOR XX, OX AND XO



ANCHORING LAYOUT FOR OX AND XO (MULL)



ANCHORING LAYOUT FOR X

REVISIONS			
REV	DESCRIPTION	DATE	APPROVED
A	REVISED TO ADD 3/4 LITE PANEL	02/10/2021	R.L.
B	REVISED TO ADD INSTALLATION DETAILS	03/14/2022	R.L.

SIGNED: 03/25/2022

NAN YA PLASTICS CORPORATION U.S.A.
8989 NORTH LOOP EAST
HOUSTON, TX 77029

SERIES SLPS LITE GLAZED FIBERGLASS OUTSWING
SIDE-HINGED DOOR W/SIDELITES - IMPACT
ANCHORING LAYOUTS

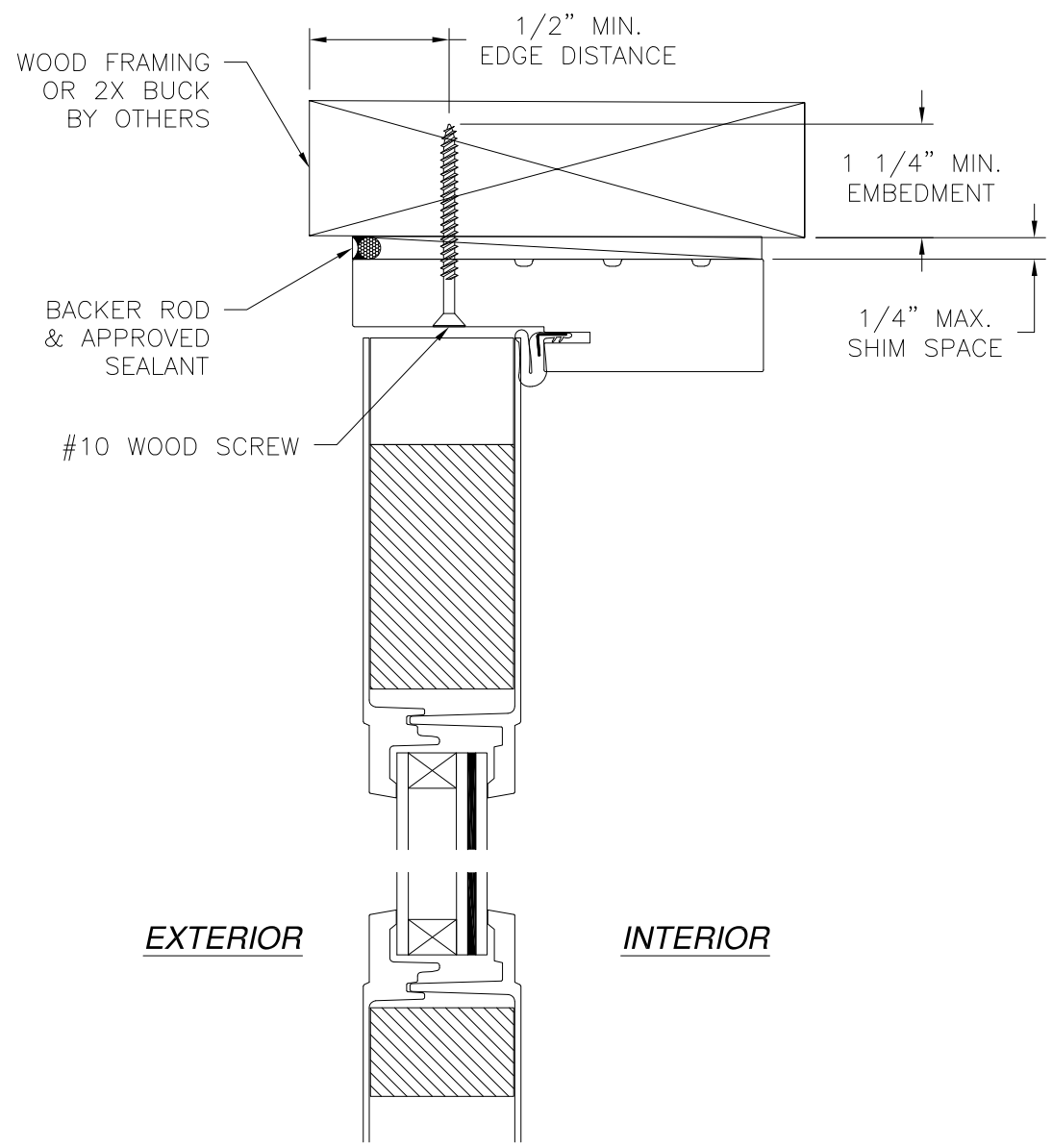
DRAWN: A.R.	DWG NO. 08-03308	REV B
SCALE NTS	DATE 08/28/18	SHEET 6 OF 17

L. ROBERTO LOMAS P.E.
400 S. PALM AVE, INDIALANTIC, FL 32903
434-688-0609 rllomas@rlomaspe.com

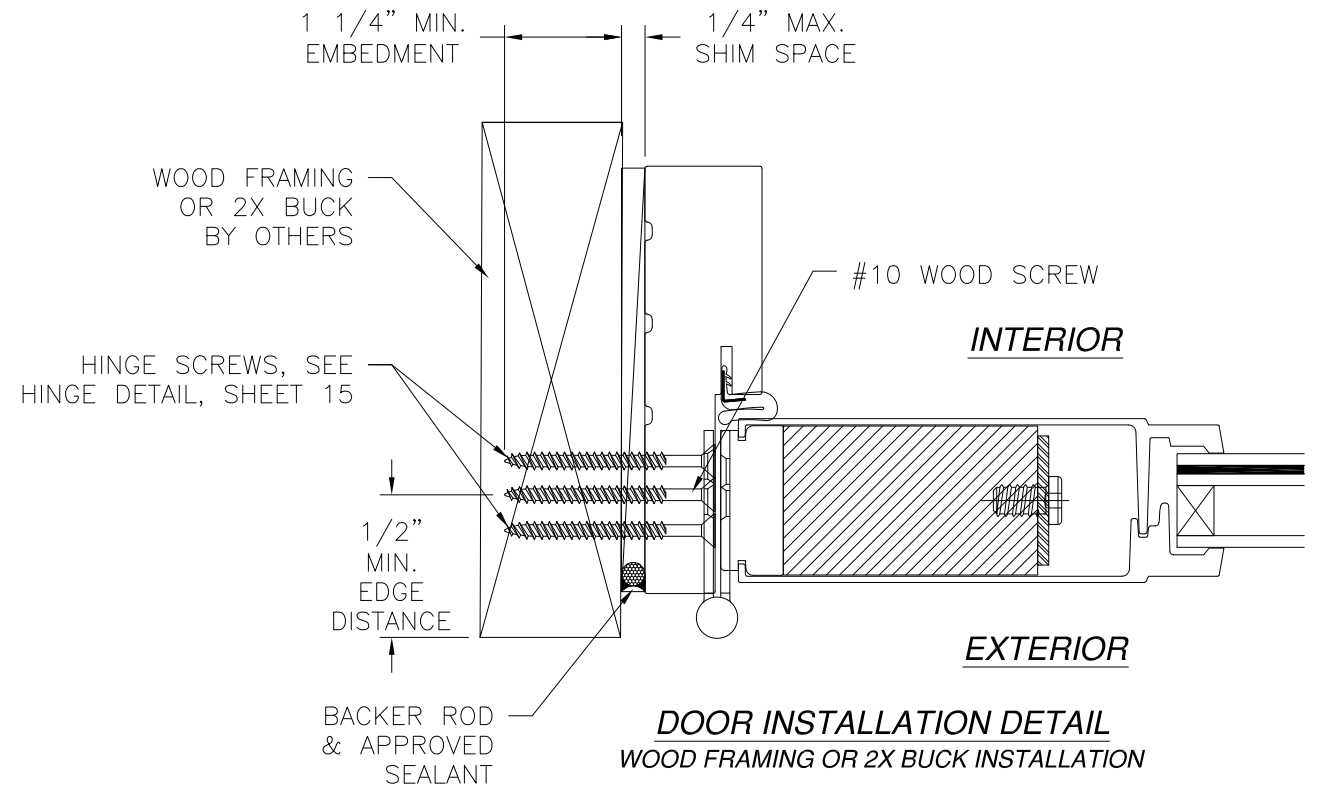


Luis R. Lomas P.E.
TX No.: 101889
Firm No: F-23130

REVISIONS			
REV	DESCRIPTION	DATE	APPROVED
A	REVISED TO ADD 3/4 LITE PANEL	02/10/2021	R.L.
B	REVISED TO ADD INSTALLATION DETAILS	03/14/2022	R.L.



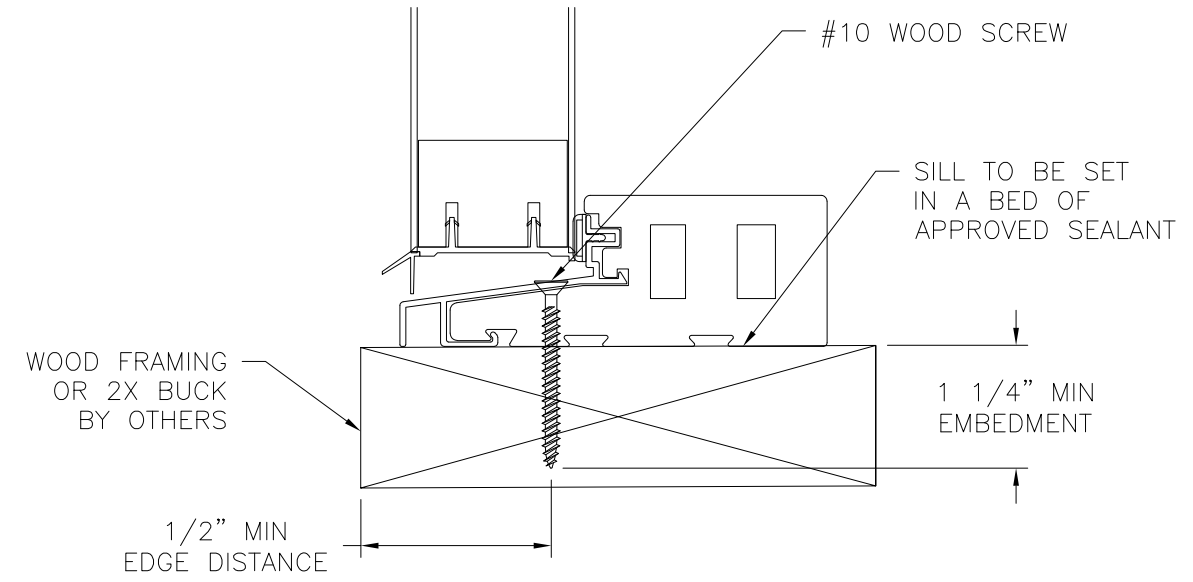
EXTERIOR **INTERIOR**



DOOR INSTALLATION DETAIL
WOOD FRAMING OR 2X BUCK INSTALLATION

- NOTES:**
1. INTERIOR AND EXTERIOR FINISHES, BY OTHERS, NOT SHOWN FOR CLARITY.
 2. PERIMETER AND JOINT SEALANT BY OTHERS TO BE DESIGNED IN ACCORDANCE WITH ASTM E2112

SIGNED: 03/25/2022



DOOR INSTALLATION DETAIL
2X BUCK/WOOD FRAMING INSTALLATION

NAN YA PLASTICS CORPORATION U.S.A.
8989 NORTH LOOP EAST
HOUSTON, TX 77029

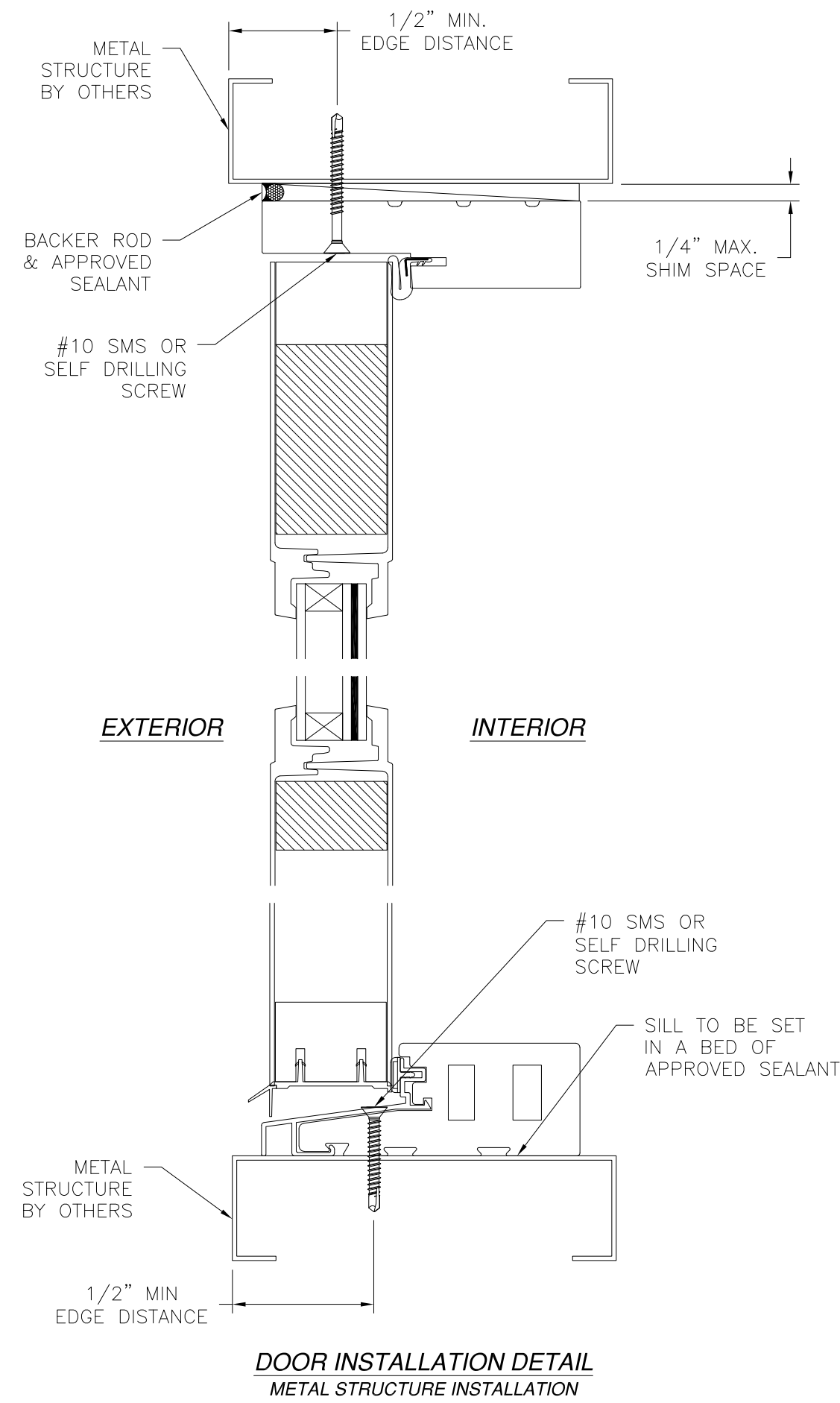
SERIES SLPS LITE GLAZED FIBERGLASS OUTSWING
SIDE-HINGED DOOR W/SIDELITES - IMPACT
DOOR INSTALLATION DETAILS

DRAWN: A.R.	DWG NO. 08-03308	REV B
SCALE NTS	DATE 08/28/18	SHEET 7 OF 17

L. ROBERTO LOMAS P.E.
400 S. PALM AVE, INDIALANTIC, FL 32903
434-688-0609 rllomas@rlomaspe.com

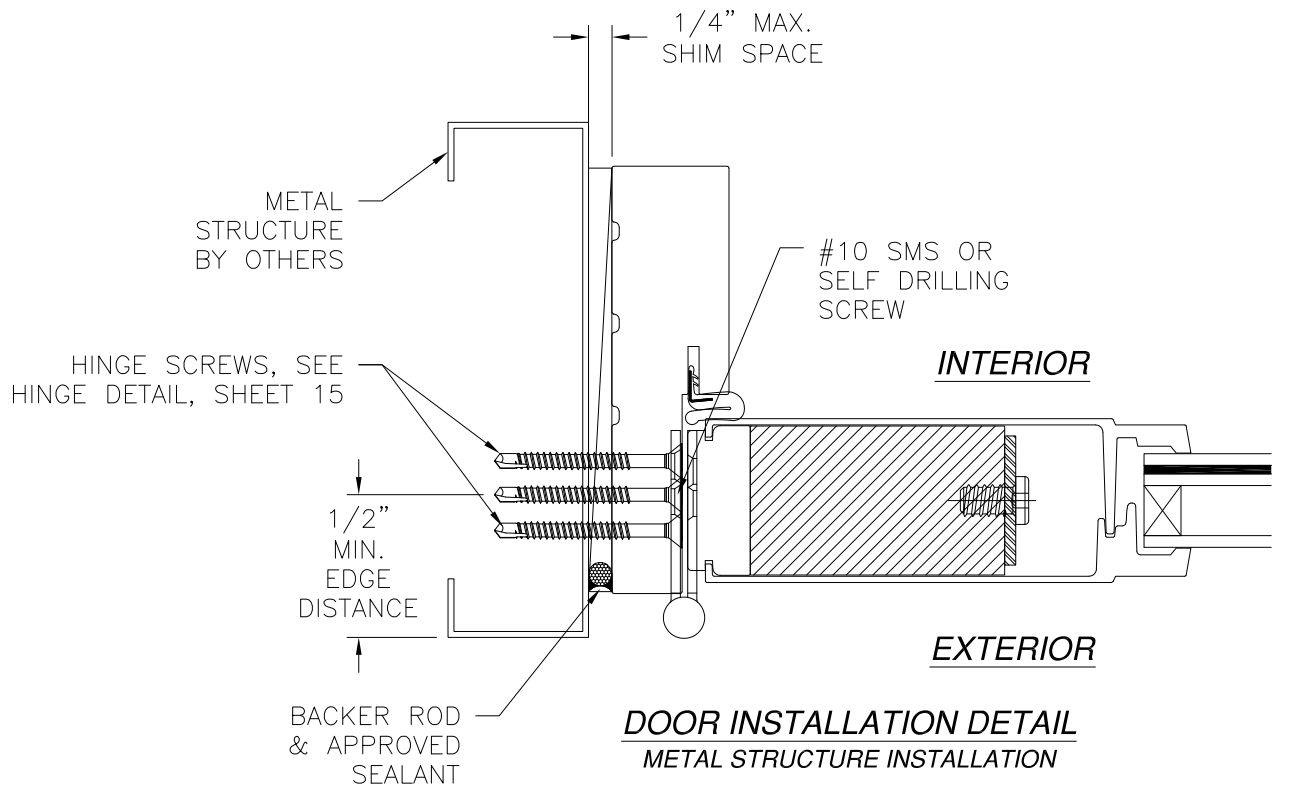


Luis R. Lomas P.E.
TX No.: 101889
Firm No: F-23130



DOOR INSTALLATION DETAIL
METAL STRUCTURE INSTALLATION

REVISIONS			
REV	DESCRIPTION	DATE	APPROVED
A	REVISED TO ADD 3/4 LITE PANEL	02/10/2021	R.L.
B	REVISED TO ADD INSTALLATION DETAILS	03/14/2022	R.L.



DOOR INSTALLATION DETAIL
METAL STRUCTURE INSTALLATION

- NOTES:**
1. INTERIOR AND EXTERIOR FINISHES, BY OTHERS, NOT SHOWN FOR CLARITY.
 2. PERIMETER AND JOINT SEALANT BY OTHERS TO BE DESIGNED IN ACCORDANCE WITH ASTM E2112

SIGNED: 03/25/2022

NAN YA PLASTICS CORPORATION U.S.A.
8989 NORTH LOOP EAST
HOUSTON, TX 77029

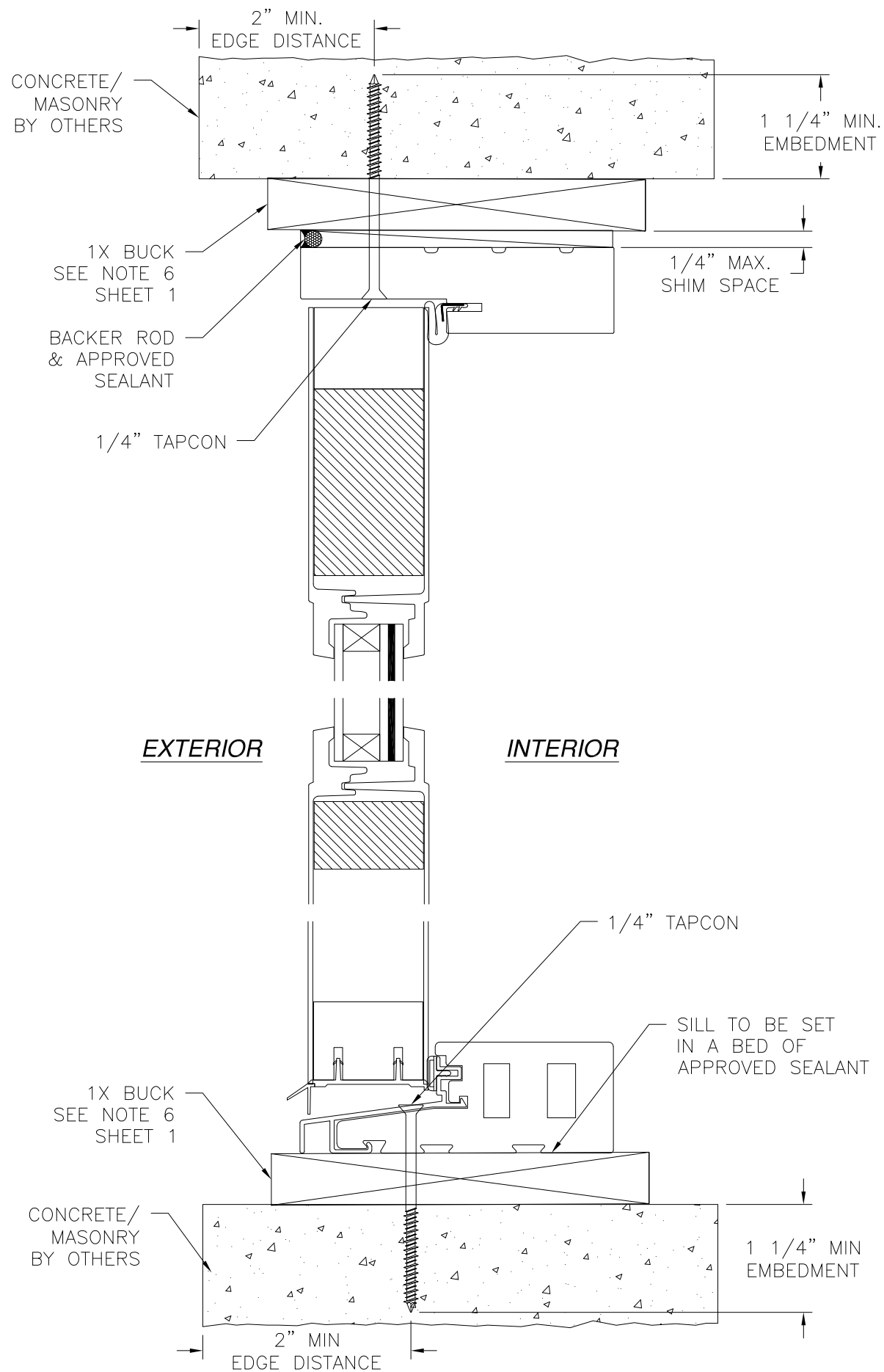
SERIES SLPS LITE GLAZED FIBERGLASS OUTSWING SIDE-HINGED DOOR W/SIDELITES - IMPACT DOOR INSTALLATION DETAILS

DRAWN: A.R.	DWG NO. 08-03308	REV B
SCALE NTS	DATE 08/28/18	SHEET 8 OF 17

L. ROBERTO LOMAS P.E.
400 S. PALM AVE, INDIALANTIC, FL 32903
434-688-0609 rllomas@rlomaspe.com

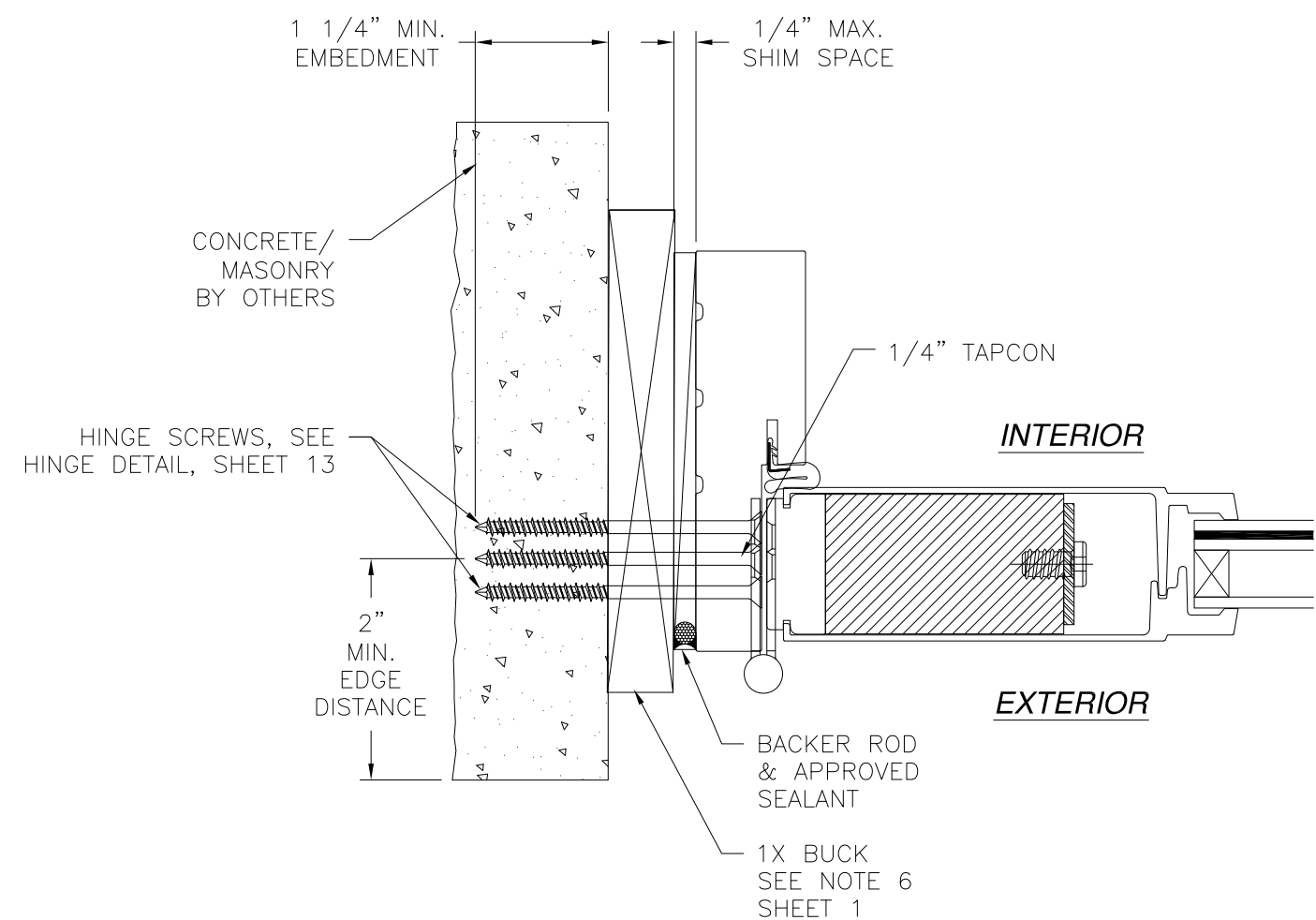


Luis R. Lomas P.E.
TX No.: 101889
Firm No: F-23130



DOOR INSTALLATION DETAIL
CONCRETE/MASONRY W/1X BUCK INSTALLATION

REVISIONS			
REV	DESCRIPTION	DATE	APPROVED
A	REVISED TO ADD 3/4 LITE PANEL	02/10/2021	R.L.
B	REVISED TO ADD INSTALLATION DETAILS	03/14/2022	R.L.



DOOR INSTALLATION DETAIL
CONCRETE/MASONRY W/1X BUCK INSTALLATION

- NOTES:**
1. INTERIOR AND EXTERIOR FINISHES, BY OTHERS, NOT SHOWN FOR CLARITY.
 2. PERIMETER AND JOINT SEALANT BY OTHERS TO BE DESIGNED IN ACCORDANCE WITH ASTM E2112

SIGNED: 03/25/2022

NAN YA PLASTICS CORPORATION U.S.A.
8989 NORTH LOOP EAST
HOUSTON, TX 77029

SERIES SLPS LITE GLAZED FIBERGLASS OUTSWING
SIDE-HINGED DOOR W/SIDELITES - IMPACT
DOOR INSTALLATION DETAILS

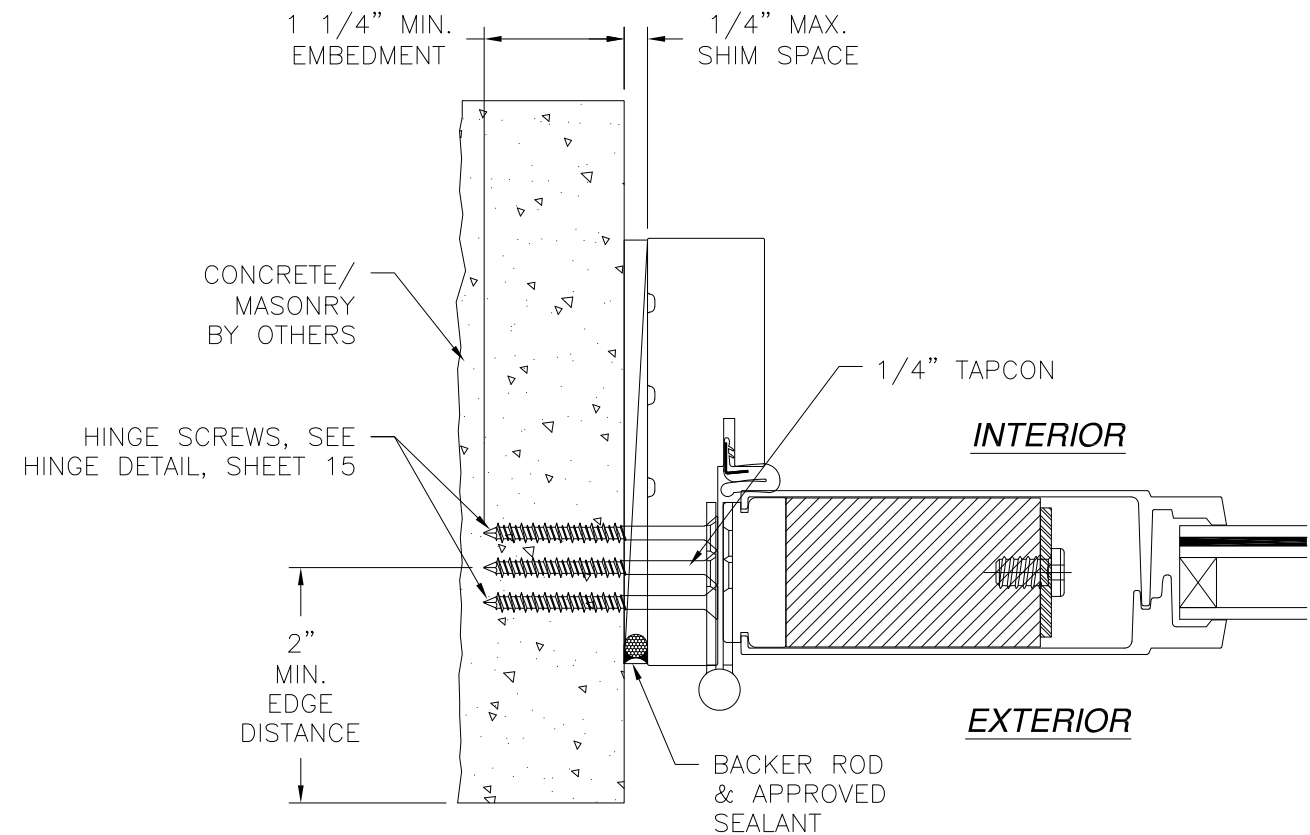
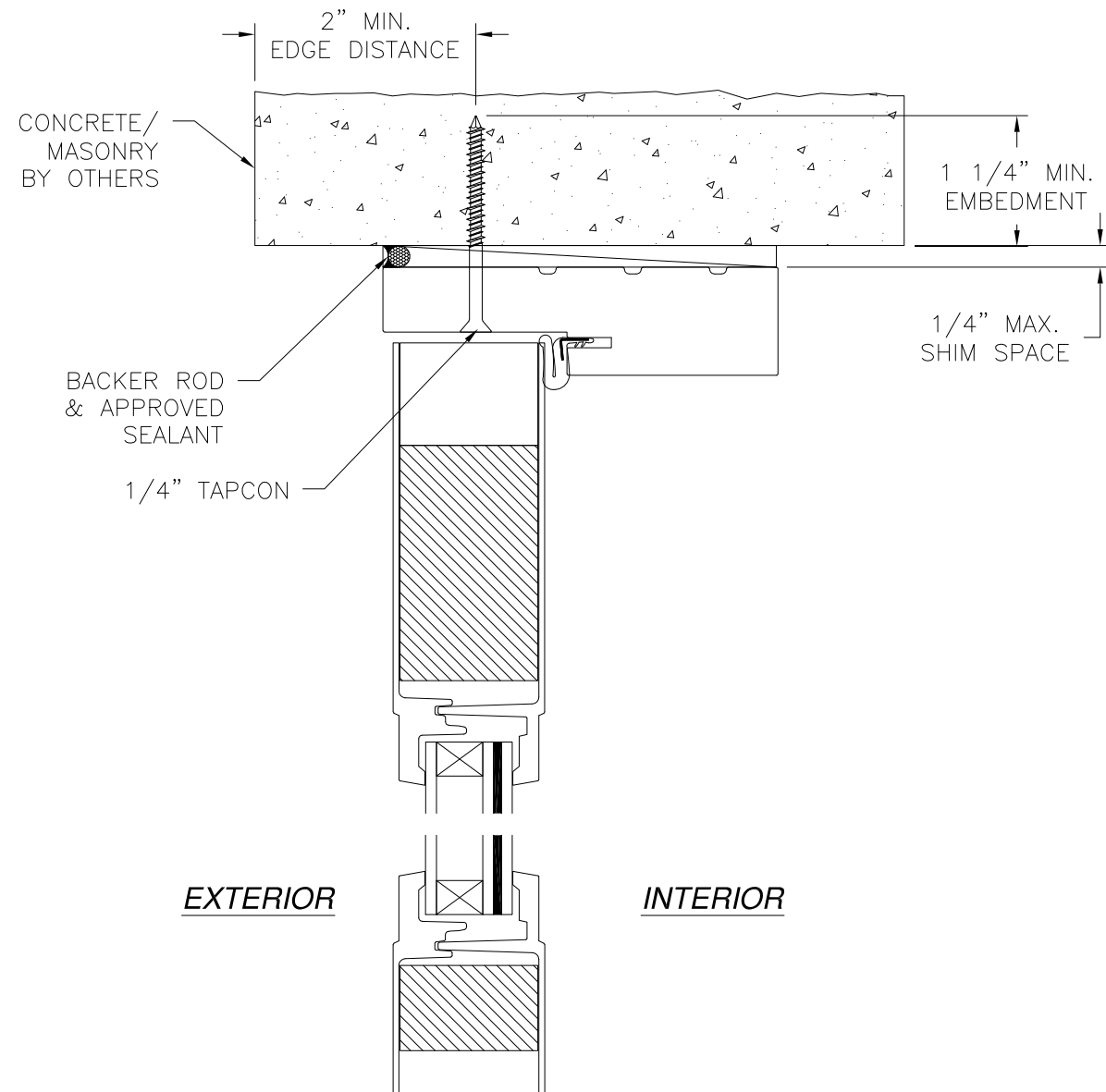
DRAWN: A.R.	DWG NO. 08-03308	REV B
SCALE NTS	DATE 08/28/18	SHEET 9 OF 17

L. ROBERTO LOMAS P.E.
400 S. PALM AVE, INDIALANTIC, FL 32903
434-688-0609 rllomas@rlomaspe.com

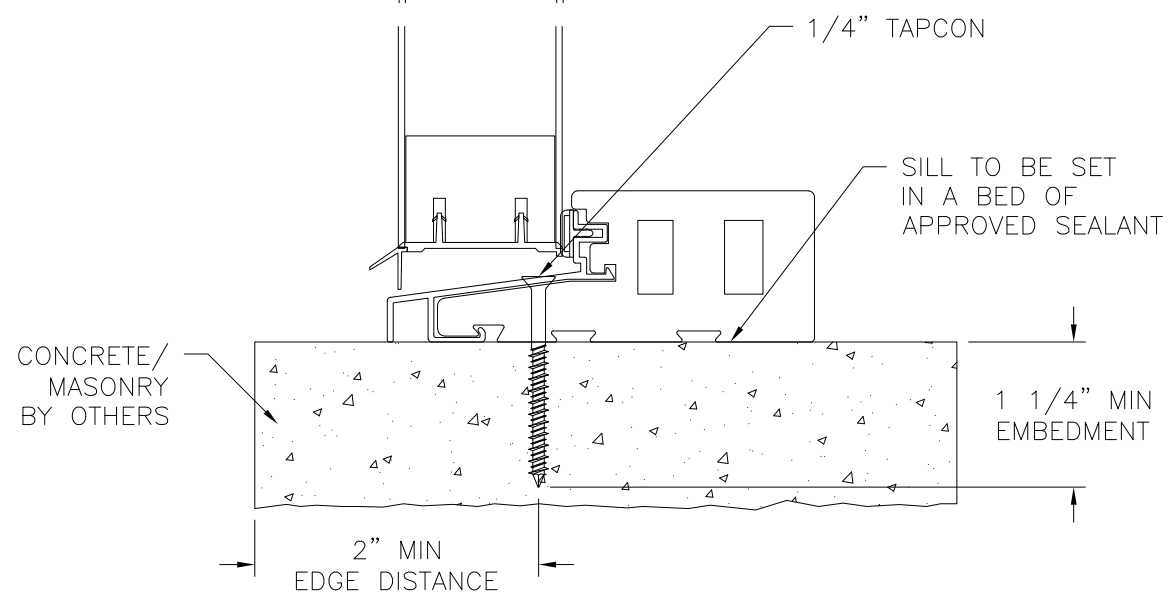


Luis R. Lomas P.E.
TX No.: 101889
Firm No: F-23130

REVISIONS			
REV	DESCRIPTION	DATE	APPROVED
A	REVISED TO ADD 3/4 LITE PANEL	02/10/2021	R.L.
B	REVISED TO ADD INSTALLATION DETAILS	03/14/2022	R.L.



DOOR INSTALLATION DETAIL
CONCRETE/MASONRY INSTALLATION



DOOR INSTALLATION DETAIL
CONCRETE/MASONRY INSTALLATION

NOTES:

1. INTERIOR AND EXTERIOR FINISHES, BY OTHERS, NOT SHOWN FOR CLARITY.
2. PERIMETER AND JOINT SEALANT BY OTHERS TO BE DESIGNED IN ACCORDANCE WITH ASTM E2112

SIGNED: 03/25/2022

NAN YA PLASTICS CORPORATION U.S.A.
8989 NORTH LOOP EAST
HOUSTON, TX 77029

SERIES SLPS LITE GLAZED FIBERGLASS OUTSWING
SIDE-HINGED DOOR W/SIDELITES - IMPACT
DOOR INSTALLATION DETAILS

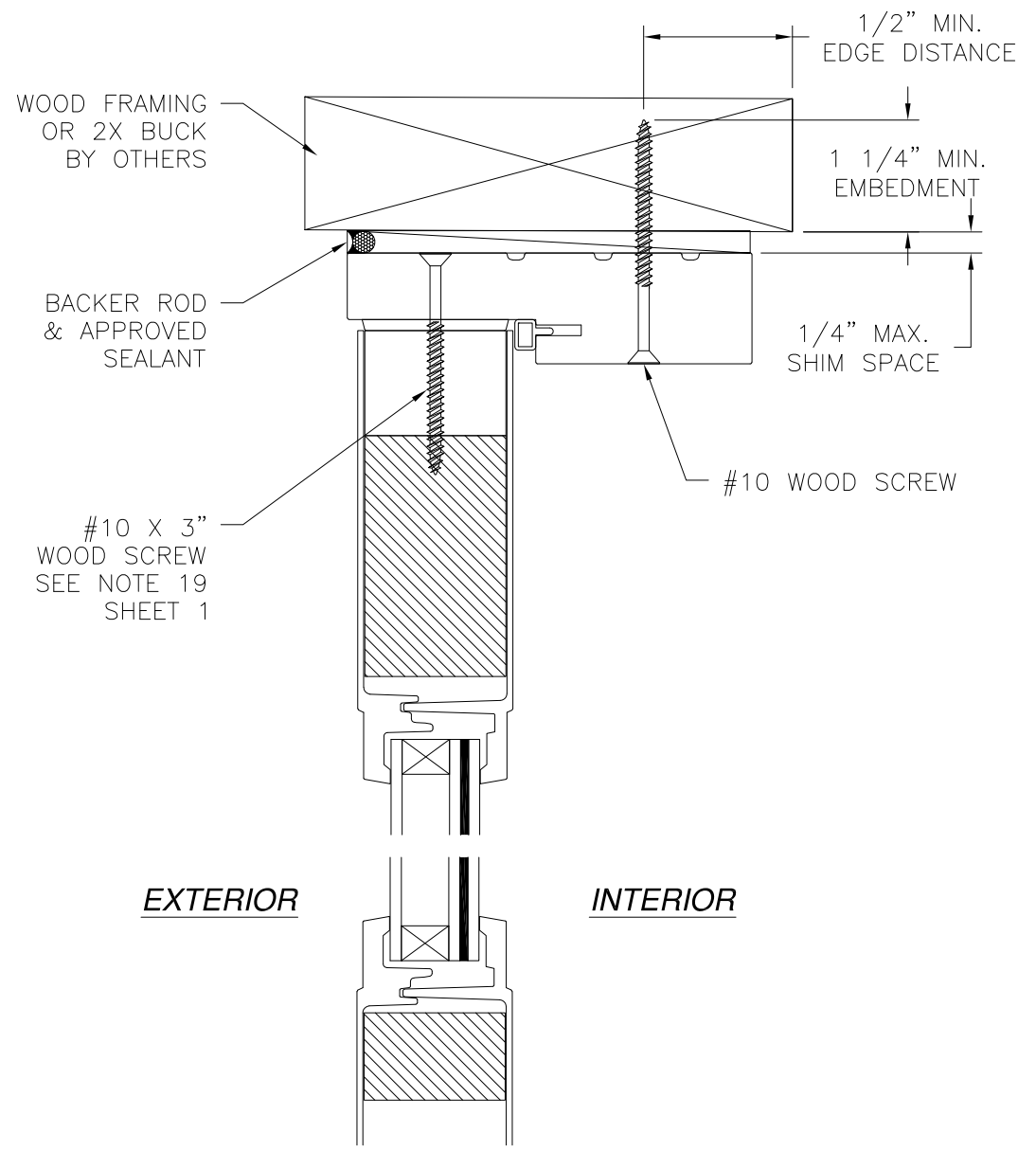
DRAWN: A.R.	DWG NO. 08-03308	REV B
SCALE NTS	DATE 08/28/18	SHEET 10 OF 17

L. ROBERTO LOMAS P.E.
400 S. PALM AVE, INDIALANTIC, FL 32903
434-688-0609 rllomas@rlomaspe.com

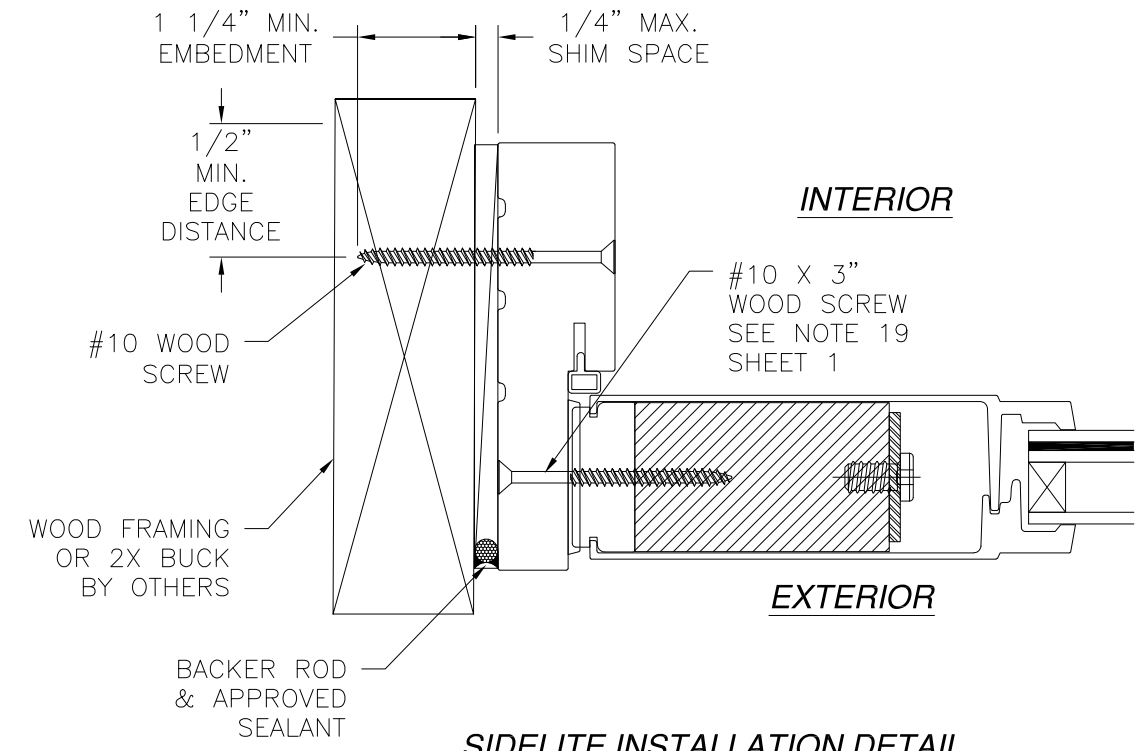


Luis R. Lomas P.E.
TX No.: 101889
Firm No: F-23130

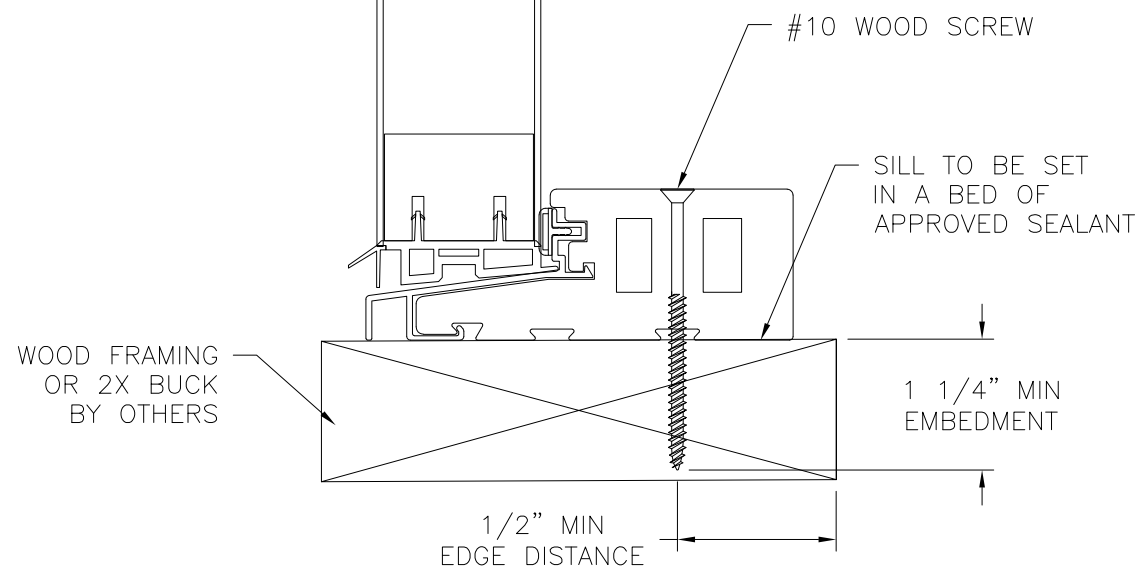
REVISIONS			
REV	DESCRIPTION	DATE	APPROVED
A	REVISED TO ADD 3/4 LITE PANEL	02/10/2021	R.L.
B	REVISED TO ADD INSTALLATION DETAILS	03/14/2022	R.L.



SIDELITE DOOR INSTALLATION DETAIL
2X BUCK/WOOD FRAMING INSTALLATION



SIDELITE INSTALLATION DETAIL
WOOD FRAMING OR 2X BUCK INSTALLATION



- NOTES:**
1. INTERIOR AND EXTERIOR FINISHES, BY OTHERS, NOT SHOWN FOR CLARITY.
 2. PERIMETER AND JOINT SEALANT BY OTHERS TO BE DESIGNED IN ACCORDANCE WITH ASTM E2112

SIGNED: 03/25/2022

NAN YA PLASTICS CORPORATION U.S.A.
8989 NORTH LOOP EAST
HOUSTON, TX 77029

SERIES SLPS LITE GLAZED FIBERGLASS OUTSWING
SIDE-HINGED DOOR W/SIDELITES - IMPACT
SIDELITE INSTALLATION DETAILS

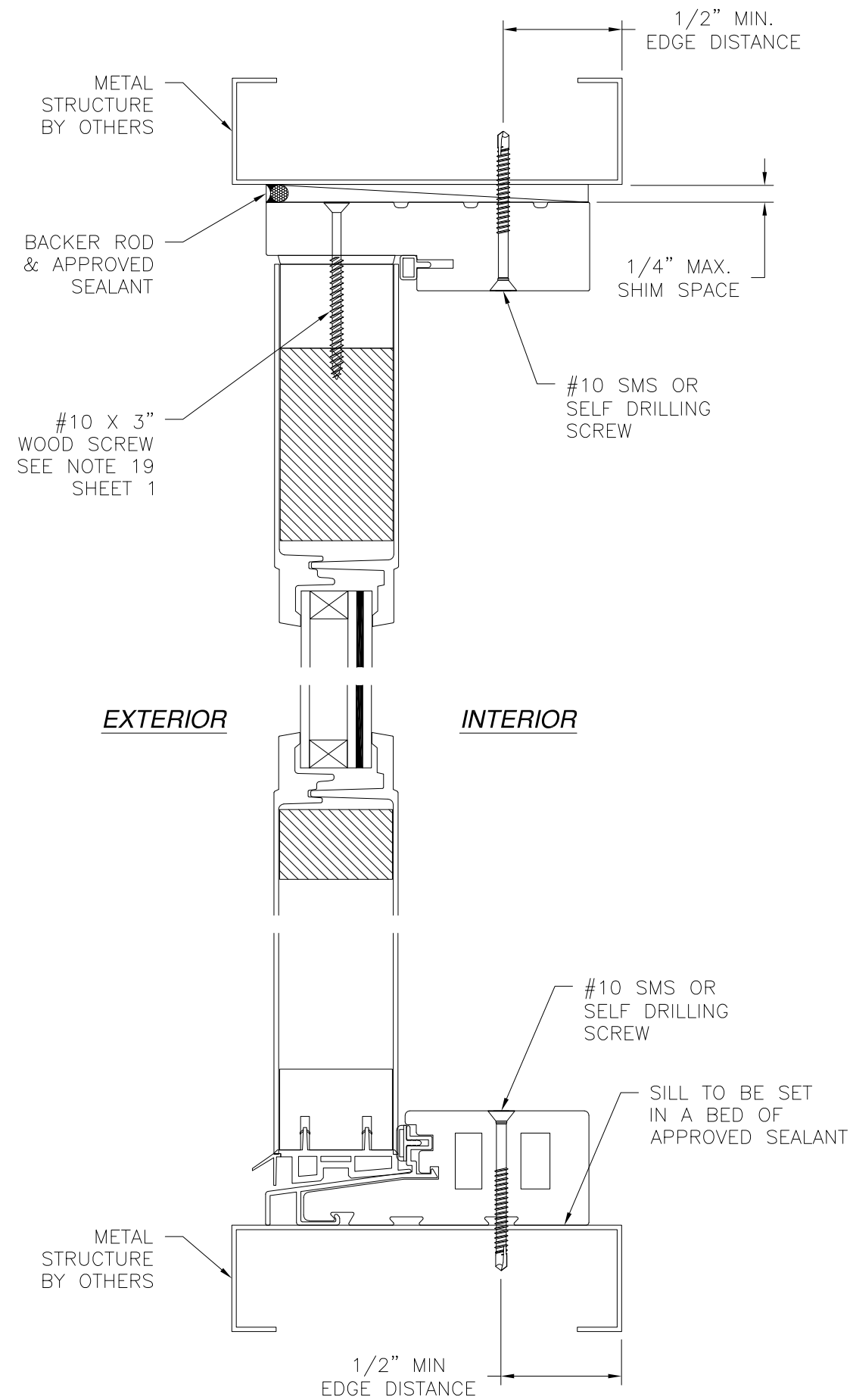
DRAWN: A.R.	DWG NO. 08-03308	REV B
SCALE NTS	DATE 08/28/18	SHEET 11 OF 17

L. ROBERTO LOMAS P.E.
400 S. PALM AVE, INDIALANTIC, FL 32903
434-688-0609 rllomas@rlomaspe.com

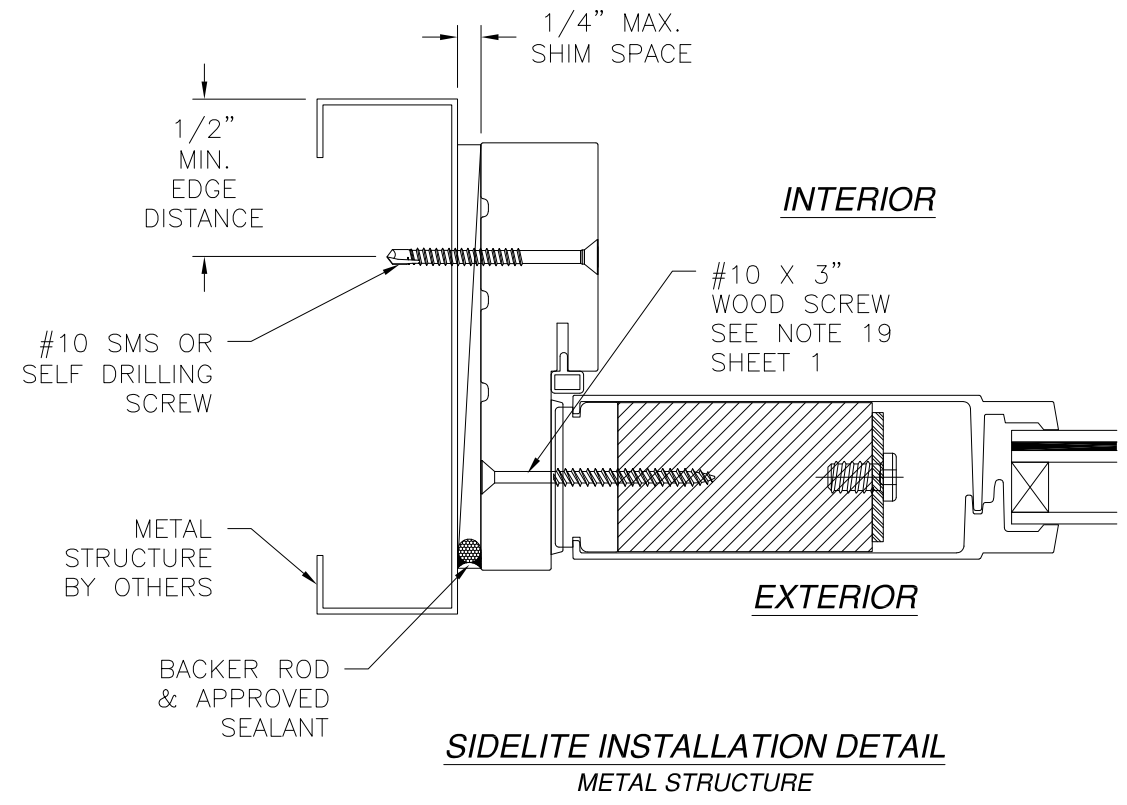


Luis R. Lomas P.E.
TX No.: 101889
Firm No: F-23130

REVISIONS			
REV	DESCRIPTION	DATE	APPROVED
A	REVISED TO ADD 3/4 LITE PANEL	02/10/2021	R.L.
B	REVISED TO ADD INSTALLATION DETAILS	03/14/2022	R.L.



SIDELITE DOOR INSTALLATION DETAIL
METAL STRUCTURE INSTALLATION



SIDELITE INSTALLATION DETAIL
METAL STRUCTURE

- NOTES:**
1. INTERIOR AND EXTERIOR FINISHES, BY OTHERS, NOT SHOWN FOR CLARITY.
 2. PERIMETER AND JOINT SEALANT BY OTHERS TO BE DESIGNED IN ACCORDANCE WITH ASTM E2112

SIGNED: 03/25/2022

NAN YA PLASTICS CORPORATION U.S.A.
8989 NORTH LOOP EAST
HOUSTON, TX 77029

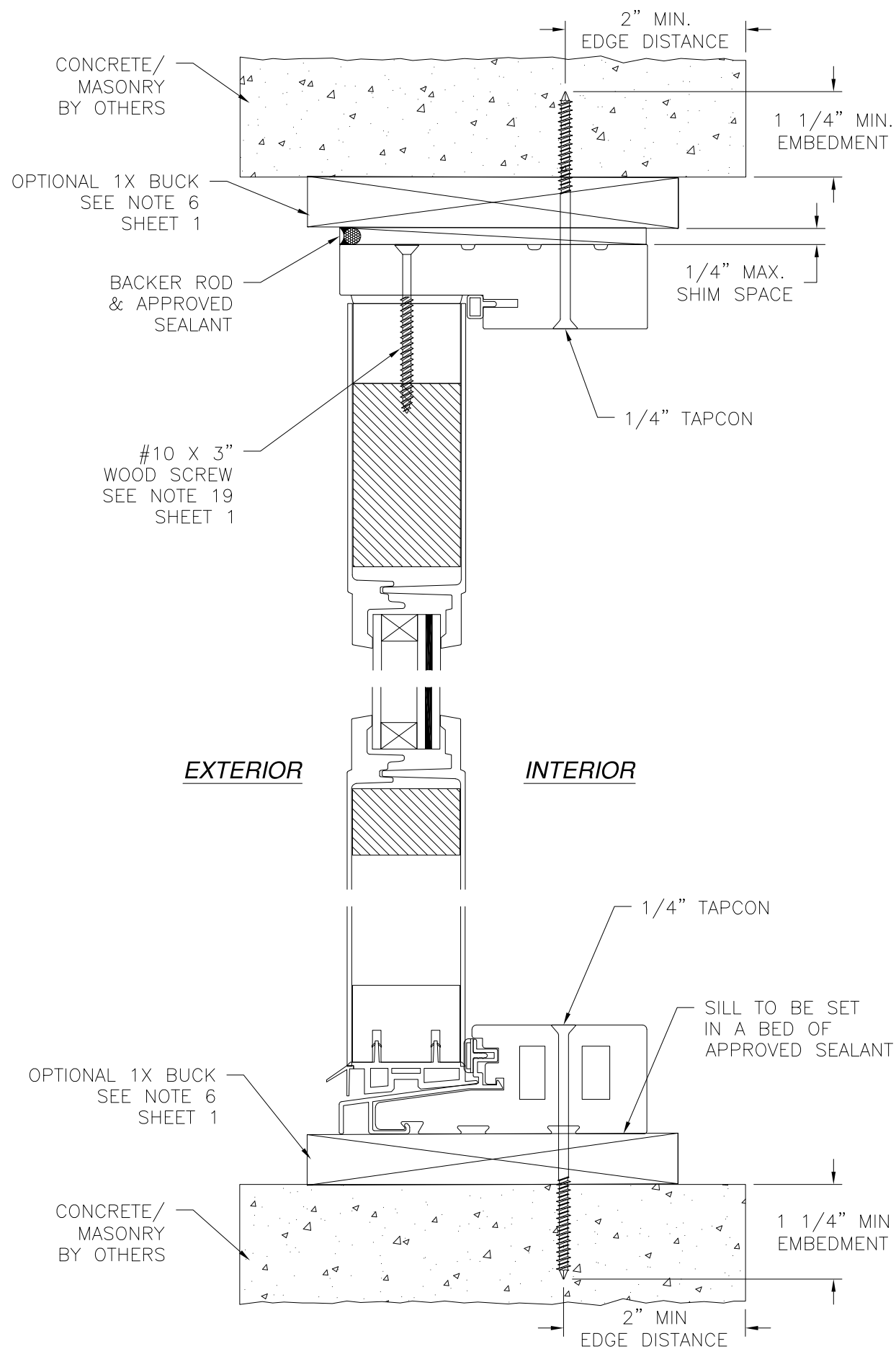
SERIES SLPS LITE GLAZED FIBERGLASS OUTSWING
SIDE-HINGED DOOR W/SIDELITES - IMPACT
SIDELITE INSTALLATION DETAILS

DRAWN: A.R.	DWG NO. 08-03308	REV B
SCALE NTS	DATE 08/28/18	SHEET 12 OF 17

L. ROBERTO LOMAS P.E.
400 S. PALM AVE, INDIALANTIC, FL 32903
434-688-0609 rllomas@rlomaspe.com

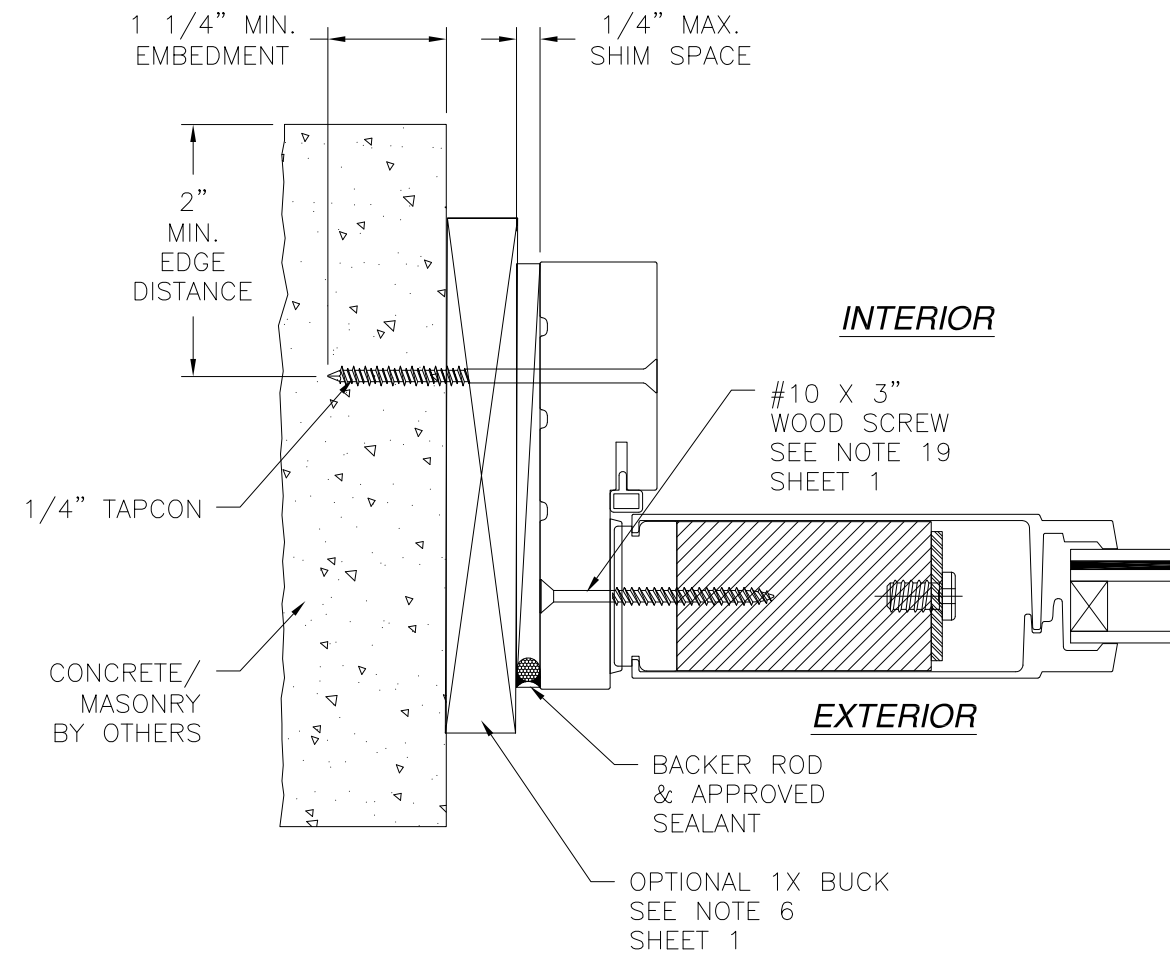


Luis R. Lomas P.E.
TX No.: 101889
Firm No: F-23130



SIDELITE DOOR INSTALLATION DETAIL
 CONCRETE/MASONRY W/1X BUCK INSTALLATION

REVISIONS			
REV	DESCRIPTION	DATE	APPROVED
A	REVISED TO ADD 3/4 LITE PANEL	02/10/2021	R.L.
B	REVISED TO ADD INSTALLATION DETAILS	03/14/2022	R.L.



SIDELITE INSTALLATION DETAIL
 CONCRETE/MASONRY W/1X BUCK INSTALLATION

NOTES:

1. INTERIOR AND EXTERIOR FINISHES, BY OTHERS, NOT SHOWN FOR CLARITY.
2. PERIMETER AND JOINT SEALANT BY OTHERS TO BE DESIGNED IN ACCORDANCE WITH ASTM E2112

SIGNED: 03/25/2022

NAN YA PLASTICS CORPORATION U.S.A.
 8989 NORTH LOOP EAST
 HOUSTON, TX 77029

SERIES SLPS LITE GLAZED FIBERGLASS OUTSWING
 SIDE-HINGED DOOR W/SIDELITES - IMPACT
 SIDELITE INSTALLATION DETAILS

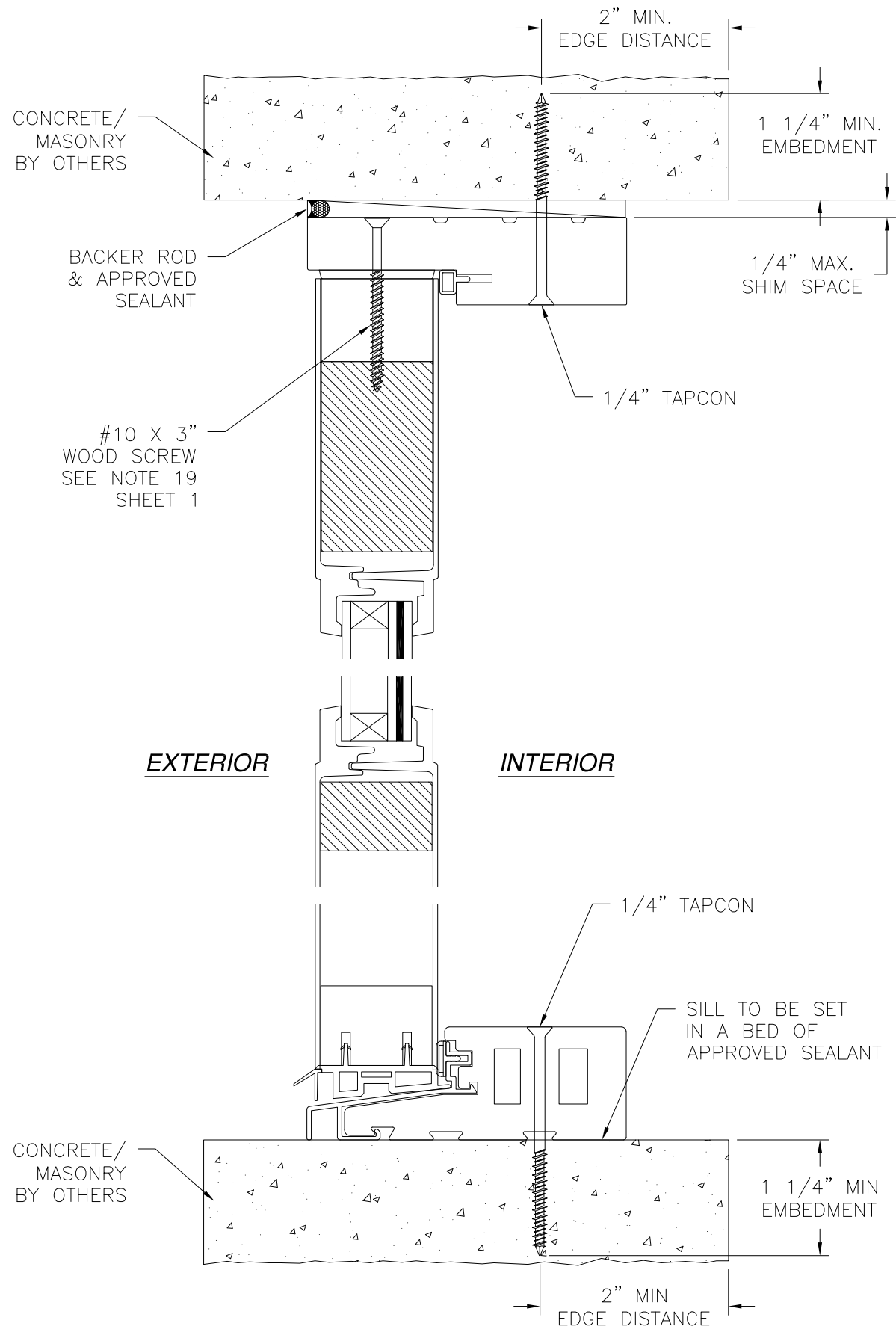
DRAWN: A.R.	DWG NO. 08-03308	REV B
SCALE NTS	DATE 08/28/18	SHEET 13 OF 17

L. ROBERTO LOMAS P.E.
 400 S. PALM AVE, INDIALANTIC, FL 32903
 434-688-0609 rllomas@rlomaspe.com

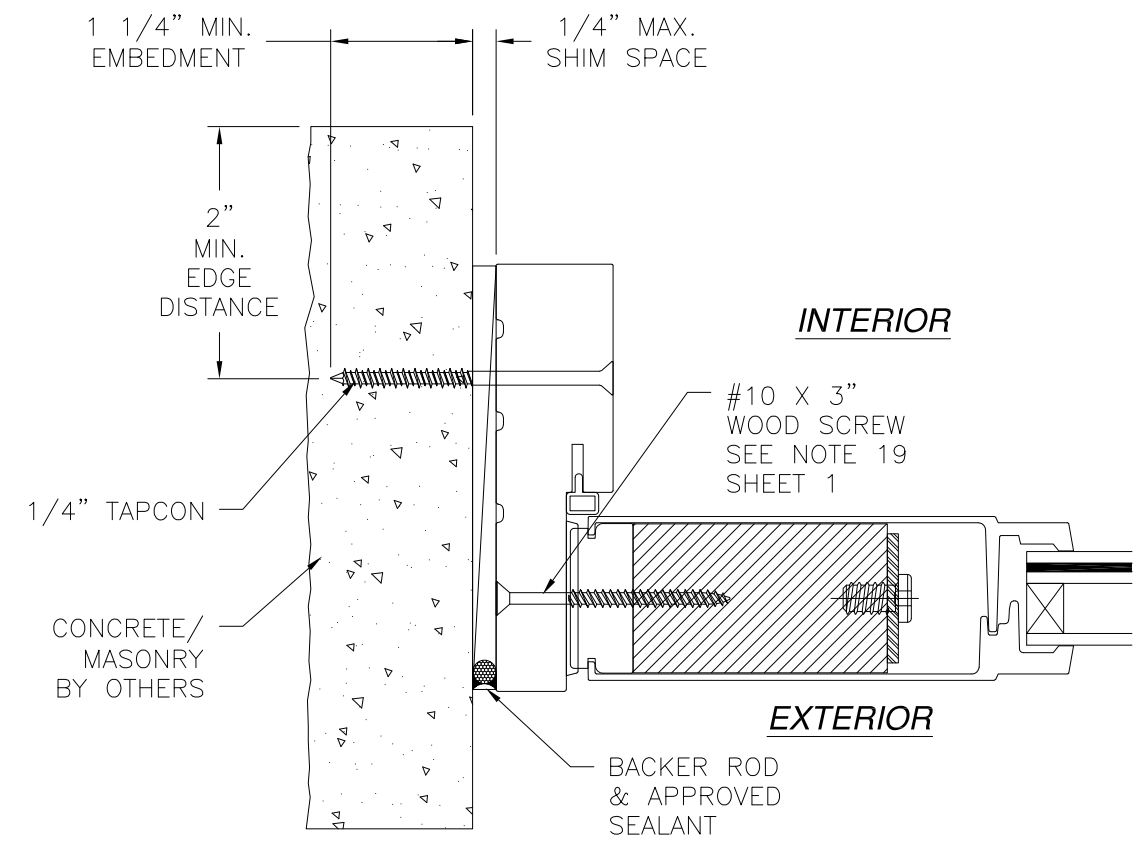


Luis R. Lomas P.E.
 TX No.: 101889
 Firm No: F-23130

REVISIONS			
REV	DESCRIPTION	DATE	APPROVED
A	REVISED TO ADD 3/4 LITE PANEL	02/10/2021	R.L.
B	REVISED TO ADD INSTALLATION DETAILS	03/14/2022	R.L.



SIDELITE DOOR INSTALLATION DETAIL
CONCRETE/MASONRY INSTALLATION



SIDELITE INSTALLATION DETAIL
CONCRETE/MASONRY INSTALLATION

- NOTES:**
1. INTERIOR AND EXTERIOR FINISHES, BY OTHERS, NOT SHOWN FOR CLARITY.
 2. PERIMETER AND JOINT SEALANT BY OTHERS TO BE DESIGNED IN ACCORDANCE WITH ASTM E2112

SIGNED: 03/25/2022

NAN YA PLASTICS CORPORATION U.S.A.
8989 NORTH LOOP EAST
HOUSTON, TX 77029

SERIES SLPS LITE GLAZED FIBERGLASS OUTSWING
SIDE-HINGED DOOR W/SIDELITES - IMPACT
SIDELITE INSTALLATION DETAILS

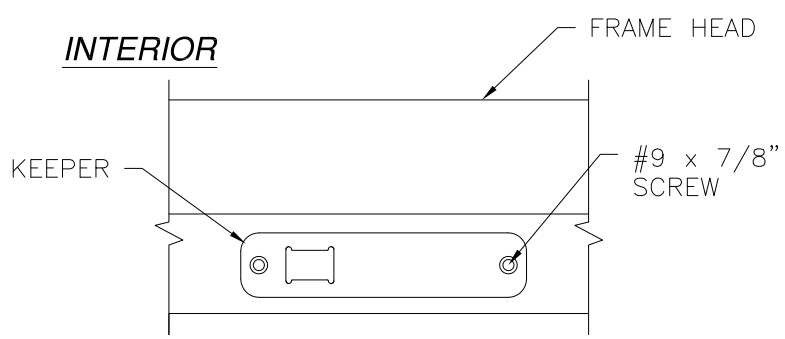
DRAWN: A.R.	DWG NO. 08-03308	REV B
SCALE NTS	DATE 08/28/18	SHEET 14 OF 17

L. ROBERTO LOMAS P.E.
400 S. PALM AVE, INDIALANTIC, FL 32903
434-688-0609 rllomas@rlomaspe.com



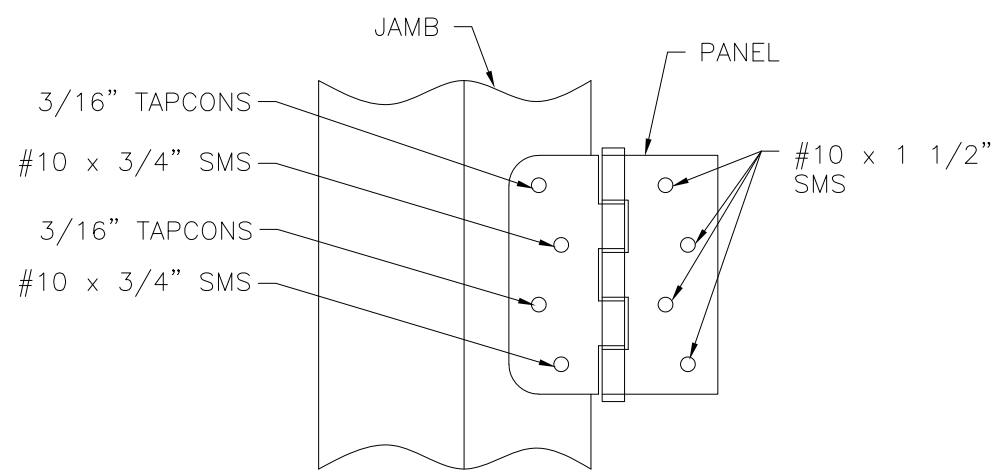
Luis R. Lomas P.E.
TX No.: 101889
Firm No: F-23130

REVISIONS			
REV	DESCRIPTION	DATE	APPROVED
A	REVISED TO ADD 3/4 LITE PANEL	02/10/2021	R.L.
B	REVISED TO ADD INSTALLATION DETAILS	03/14/2022	R.L.

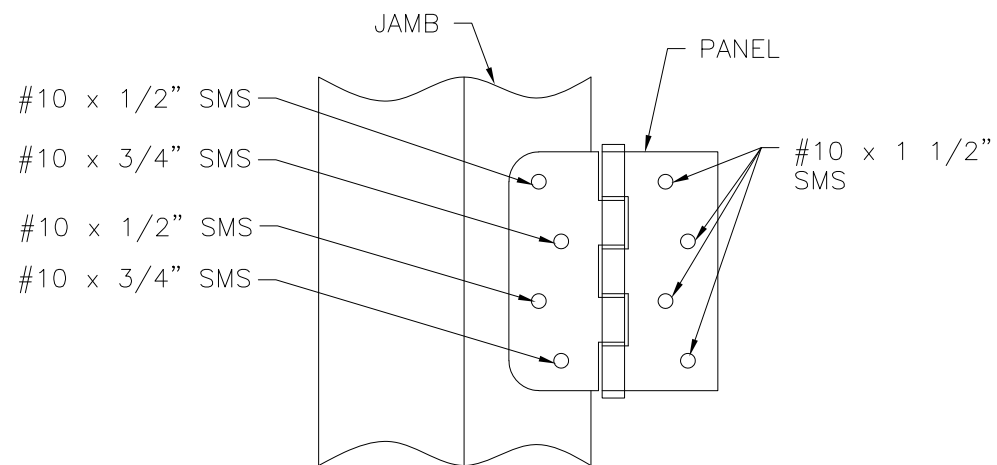


EXTERIOR

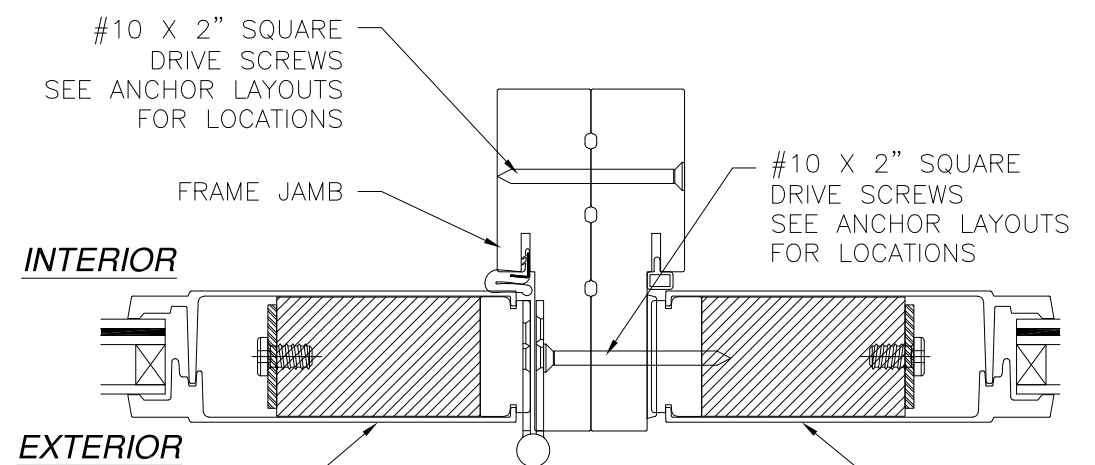
HEAD KEEPER DETAIL



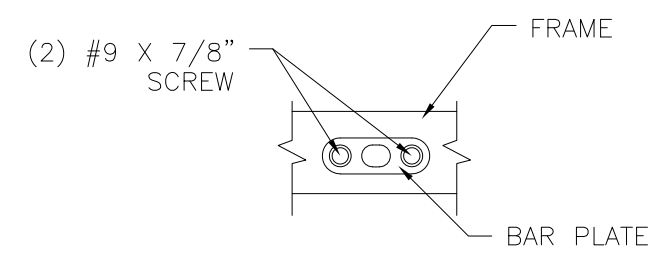
HINGE INSTALLATION DETAIL
MASONRY/CONCRETE INSTALLATION



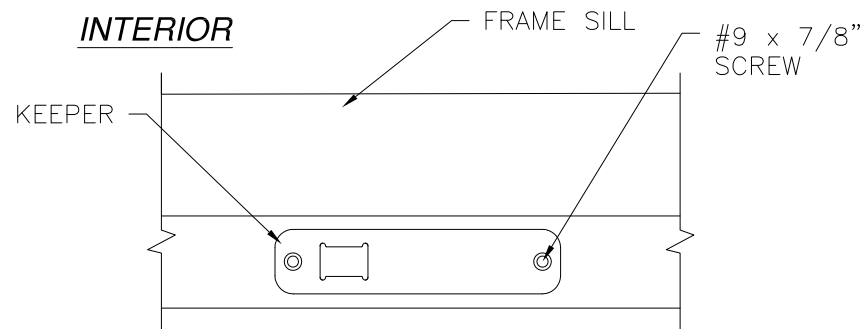
HINGE INSTALLATION DETAIL
WOOD AND METAL INSTALLATION



MULLION DETAIL
DOOR ANCHORS SCREWS
NOT SHOWN FOR CLARITY

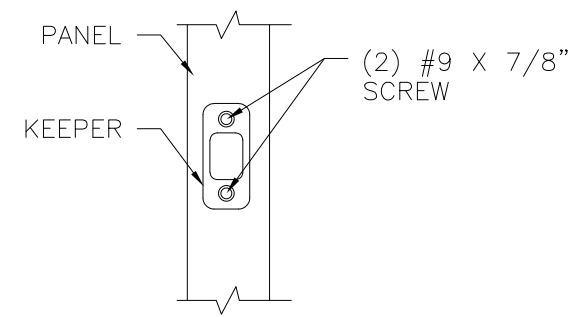


DRIVE BAR PLATE DETAIL

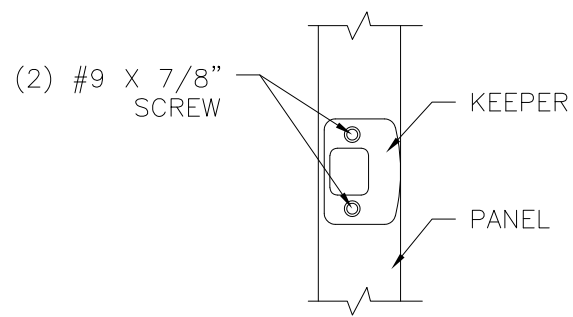


EXTERIOR

SILL KEEPER DETAIL



DEADBOLT KEEPER DETAIL



LATCH KEEPER DETAIL

SIGNED: 03/25/2022

NAN YA PLASTICS CORPORATION U.S.A.
8989 NORTH LOOP EAST
HOUSTON, TX 77029

SERIES SLPS LITE GLAZED FIBERGLASS OUTSWING
SIDE-HINGED DOOR W/SIDELITES - IMPACT
INSTALLATION DETAILS & COMPONENTS

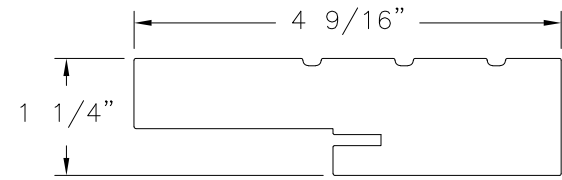
DRAWN: A.R.	DWG NO. 08-03308	REV B
SCALE NTS	DATE 08/28/18	SHEET 15 OF 17

L. ROBERTO LOMAS P.E.
400 S. PALM AVE, INDIALANTIC, FL 32903
434-688-0609 rllomas@rlomaspe.com

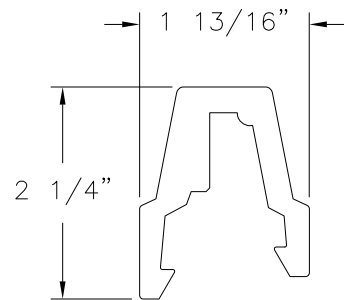


Luis R. Lomas P.E.
TX No.: 101889
Firm No: F-23130

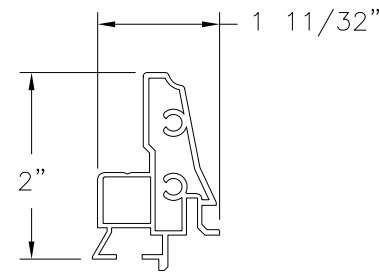
REVISIONS			
REV	DESCRIPTION	DATE	APPROVED
A	REVISED TO ADD 3/4 LITE PANEL	02/10/2021	R.L.
B	REVISED TO ADD INSTALLATION DETAILS	03/14/2022	R.L.



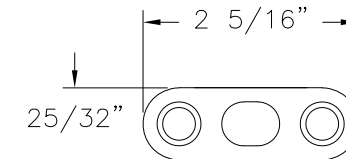
HEAD FRAME & JAMB
FOAM PVC CO-EX



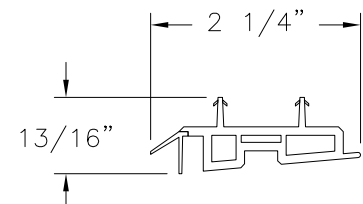
MULLION COVER (B)
FOAM PVC



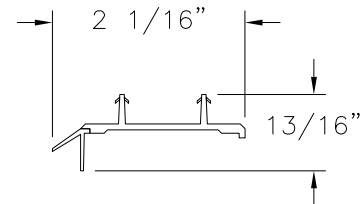
REINFORCEMENT (B)
ALUMINUM



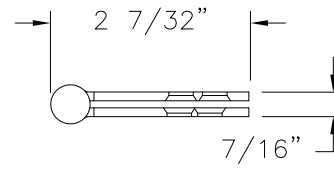
DRIVE BAR PLATE
STAINLESS STEEL
BY JAM YUAN ENTERPRISES CO., LTD.



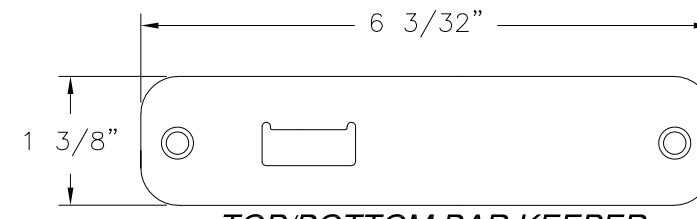
DOOR BOTTOM-B
PVC CO-EX



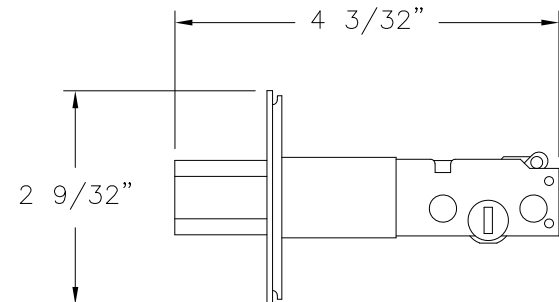
DOOR BOTTOM-A
PVC CO-EX



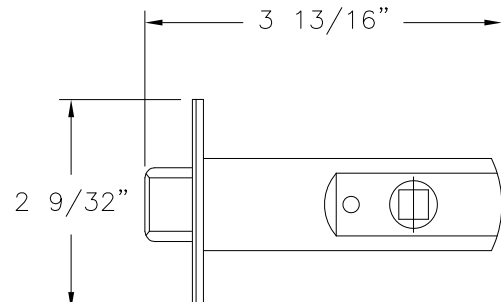
4" X 4" DOOR HINGE
STEEL



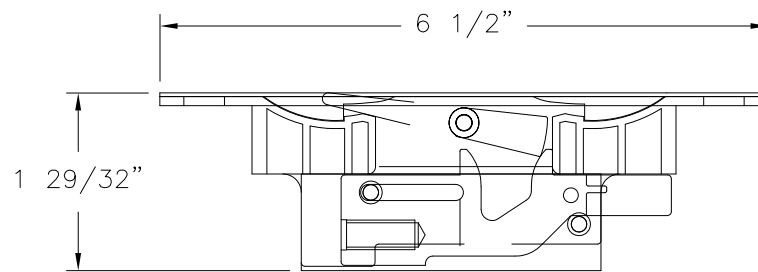
TOP/BOTTOM BAR KEEPER
STAINLESS STEEL (SS92H)
BY JAM YUAN ENTERPRISES CO., LTD



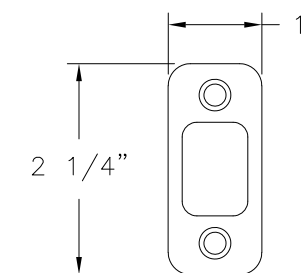
DOOR DEADBOLT
STEEL (SS92Y)
BY JAM YUAN ENTERPRISES CO., LTD



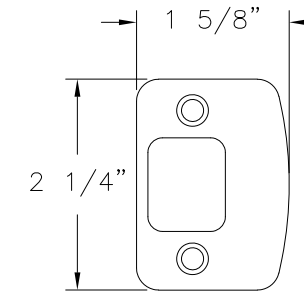
DOOR LATCH
STEEL (SS92Y)
BY JAM YUAN ENTERPRISES CO., LTD



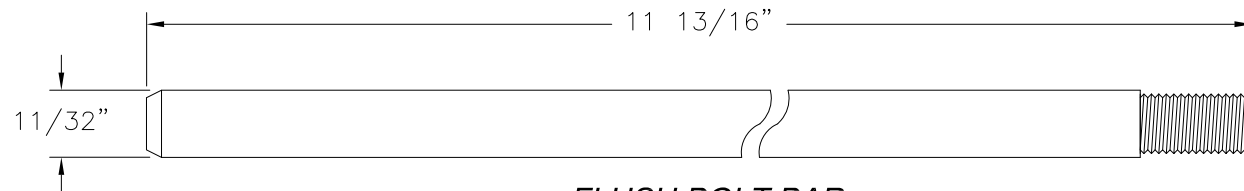
FLUSH BOLT MECHANISM
DIE CAST, STEEL, POM (SS93X)
BY JAM YUAN ENTERPRISES CO., LTD



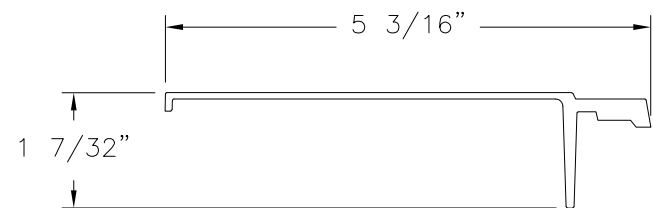
DEADBOLT KEEPER
STAINLESS STEEL
BY JAM YUAN ENTERPRISES CO., LTD



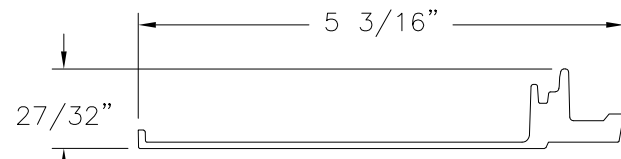
LATCH KEEPER
STAINLESS STEEL
BY JAM YUAN ENTERPRISES CO., LTD



FLUSH BOLT BAR
STAINLESS STEEL (SS93B)
BY JAM YUAN ENTERPRISES CO., LTD



SHEET MOLDING COMPOUND SKIN-1
FIBERGLASS



SHEET MOLDING COMPOUND SKIN-2
FIBERGLASS

SIGNED: 03/25/2022

NAN YA PLASTICS CORPORATION U.S.A.
8989 NORTH LOOP EAST
HOUSTON, TX 77029

SERIES SLPS LITE GLAZED FIBERGLASS OUTSWING
SIDE-HINGED DOOR W/SIDELITES - IMPACT
COMPONENTS

DRAWN: A.R. DWG NO. 08-03308 REV B

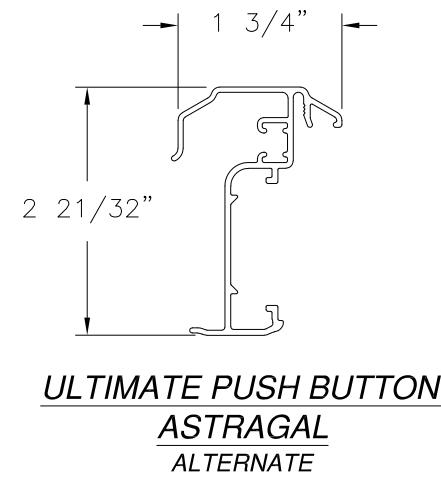
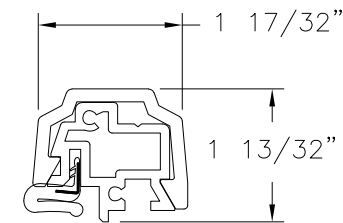
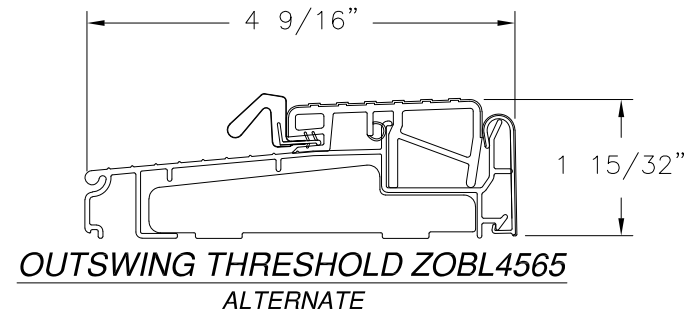
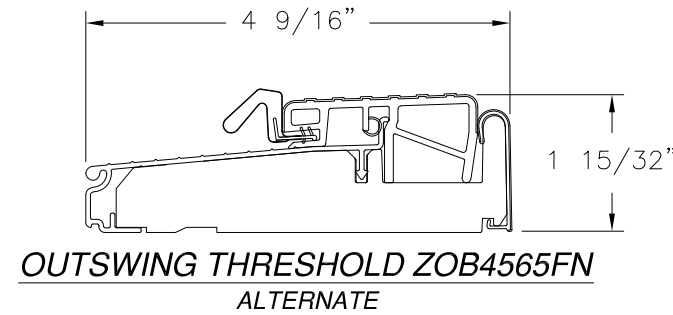
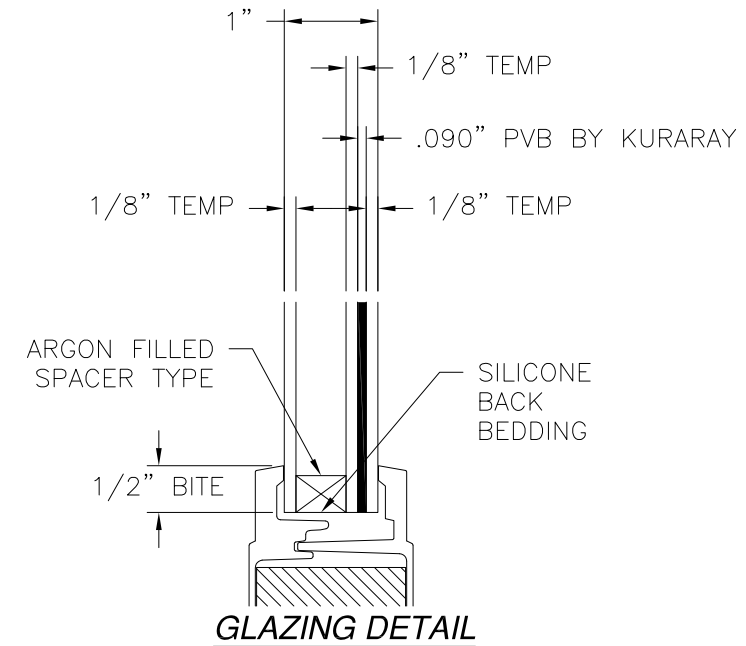
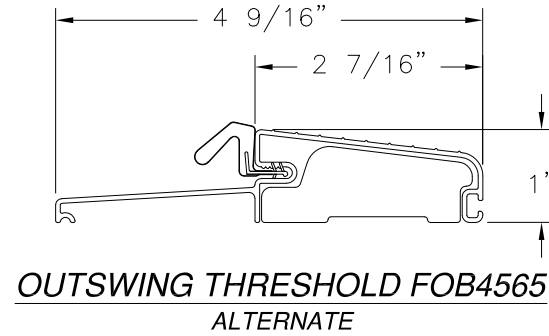
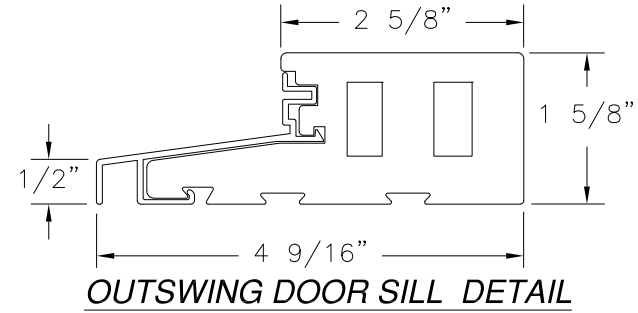
SCALE NTS DATE 08/28/18 SHEET 16 OF 17

L. ROBERTO LOMAS P.E.
400 S. PALM AVE, INDIALANTIC, FL 32903
434-688-0609 rllomas@rlomaspe.com



Luis R. Lomas P.E.
TX No.: 101889
Firm No: F-23130

REVISIONS			
REV	DESCRIPTION	DATE	APPROVED
A	REVISED TO ADD 3/4 LITE PANEL	02/10/2021	R.L.
B	REVISED TO ADD INSTALLATION DETAILS	03/14/2022	R.L.



SIGNED: 03/25/2022

NAN YA PLASTICS CORPORATION U.S.A.
8989 NORTH LOOP EAST
HOUSTON, TX 77029

SERIES SLPS LITE GLAZED FIBERGLASS OUTSWING
SIDE-HINGED DOOR W/SIDELITES - IMPACT
COMPONENTS

DRAWN: A.R.	DWG NO. 08-03308	REV B
SCALE NTS	DATE 08/28/18	SHEET 17 OF 17

L. ROBERTO LOMAS P.E.
400 S. PALM AVE, INDIALANTIC, FL 32903
434-688-0609 rllomas@rlomaspe.com



Luis R. Lomas P.E.
TX No.: 101889
Firm No: F-23130