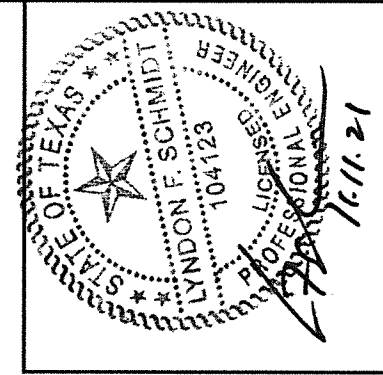
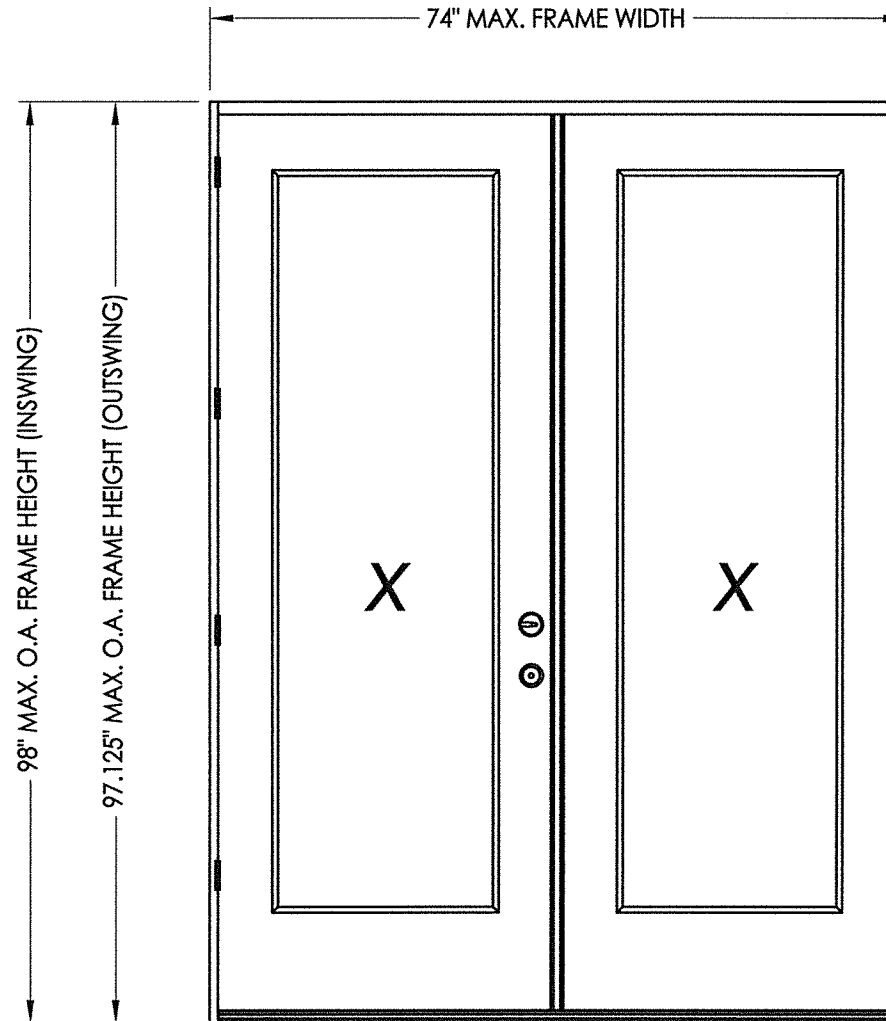


Glazed Fiberglass Door

"NON-IMPACT"
INSWING / OUTSWING



Documents Prepared By: Lyndon F. Schmidt, P.E.
TEXAS P.E. #104123

RW BUILDING CONSULTANTS, INC.
P.O. Box 230 Valrico FL, 33595
Phone No.: 813.659.9197

TEXAS BOARD OF PROFESSIONAL ENGINEERS
CERTIFICATE OF REGISTRATION # F-11852

EVALUATED FOR USE IN THE STATE OF TEXAS

TDI DR-1019

The Fiberglass Door system described herein complies with the 2018 International Residential Code (IRC), Sections R301 & R609 and the 2018 International Building Code (IBC), Sections 1404.13, 1609, 1709.5, 2403 and 2404 subject to the following conditions:

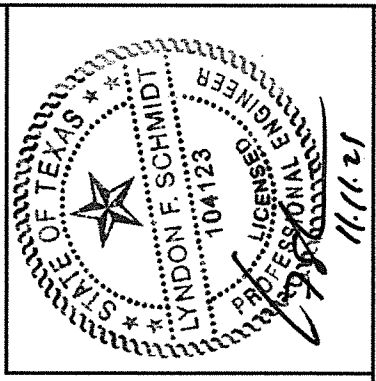
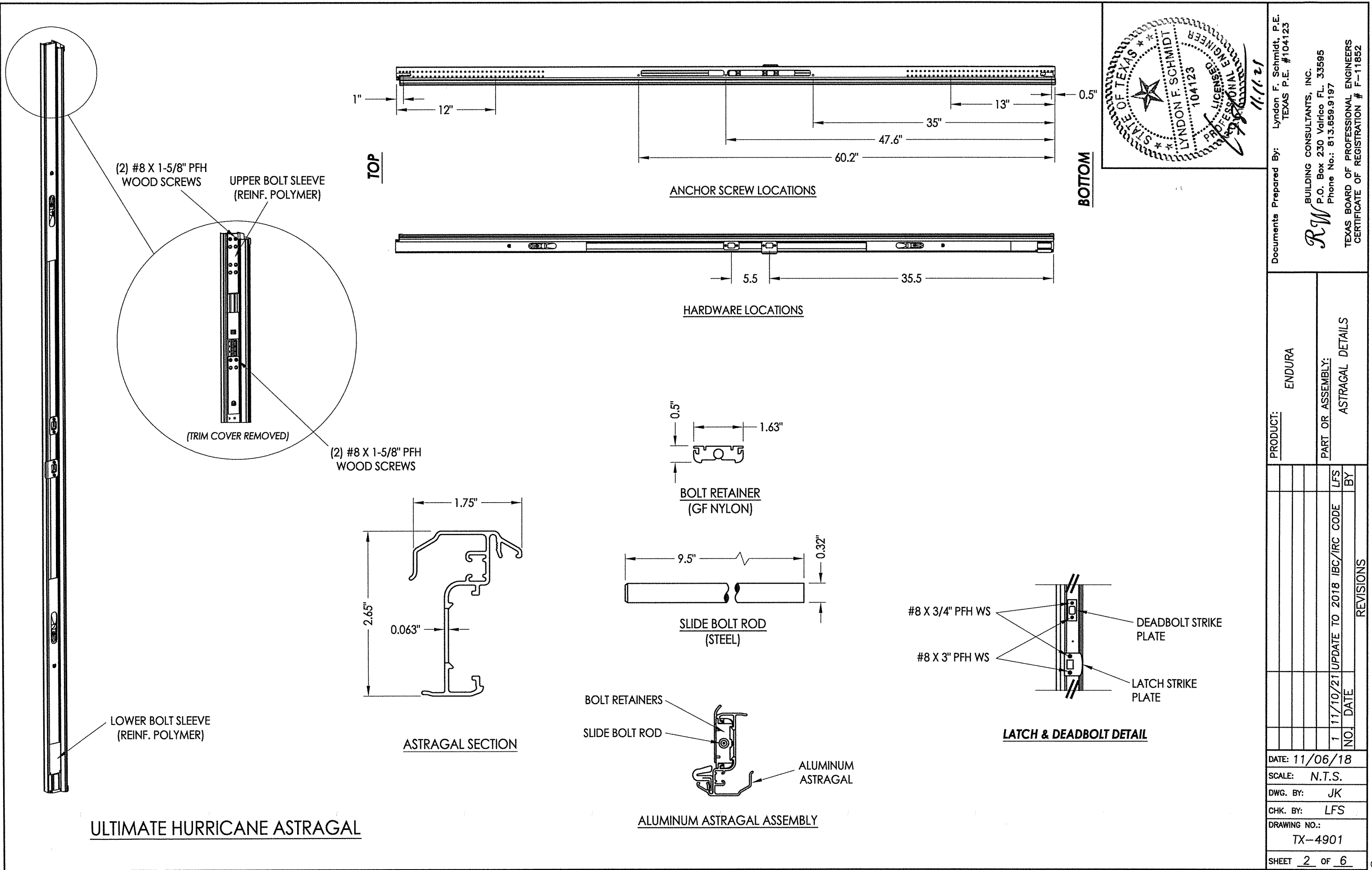
1. Anchors shall be as listed and spaced as shown in the details. Anchor embedment to base material shall be beyond wall dressing or stucco.
2. When used in areas requiring wind-borne debris protection this product is required to be protected with an impact resistant covering that complies with Section R301.2.1.2 of the IRC and Section 1609.1.2 of the IBC.
3. Allowable design pressure requirements must be equal to or less than the design pressure rating shown in the design pressure chart, sheet 1 of this drawing.
4. Conditions not covered by this drawing are subject to further engineering analysis.

TABLE OF CONTENTS	
SHEET #	DESCRIPTION
1	Typical elevations, design pressures & general notes
2	Astragal details
3	Door panel details
4	Horizontal & vertical cross sections
5	Vertical cross sections
6	Frame anchoring

CONFIG.	MODEL	DESIGN PRESSURE (PSF)	
		POSITIVE	NEGATIVE
XX	INSWING	+30.0	-35.0
	OUTSWING	+35.0	-35.0

PRODUCT:	ENDURA	
PART OR ASSEMBLY:	TYPICAL ELEVATION, DESIGN PRESSURES & GENERAL NOTES	
NO.	DATE	BY
1	11/10/21	LFS
UPDATE TO 2018 IBC/IRC CODE		
REVISIONS		
DATE:	11/06/18	
SCALE:	N.T.S.	
DWG. BY:	JK	
CHK. BY:	LFS	
DRAWING NO.:	TX-4901	
SHEET	1 OF 6	

Z:\Clients\Endura PERMANENT\B - Texas Dept of Ins\TDI - DR-1019 Insert GLZ JELD-WEN FG door XX (LK, DB) (4900-4901)C - Drawings\TX-4900-01.dwg



Documents Prepared By: Lyndon F. Schmidt, P.E.
TEXAS P.E. #104123

RW BUILDING CONSULTANTS, INC.
P.O. Box 230 Valrico FL, 33595
Phone No.: 813.659.9197

TEXAS BOARD OF PROFESSIONAL ENGINEERS
CERTIFICATE OF REGISTRATION # F-11852

PRODUCT: ENDURA

PART OR ASSEMBLY: ASTRAGAL DETAILS

NO.	DATE	REVISIONS
1	11/10/21	UPDATE TO 2018 IBC/IRC CODE
		LFS
		BY

DATE: 11/06/18

SCALE: N.T.S.

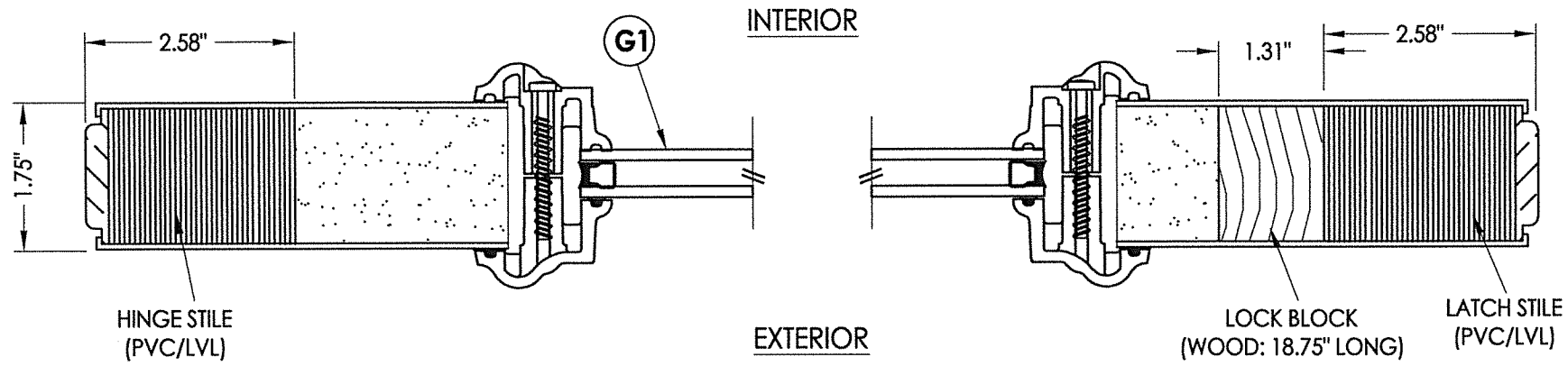
DWG. BY: JK

CHK. BY: LFS

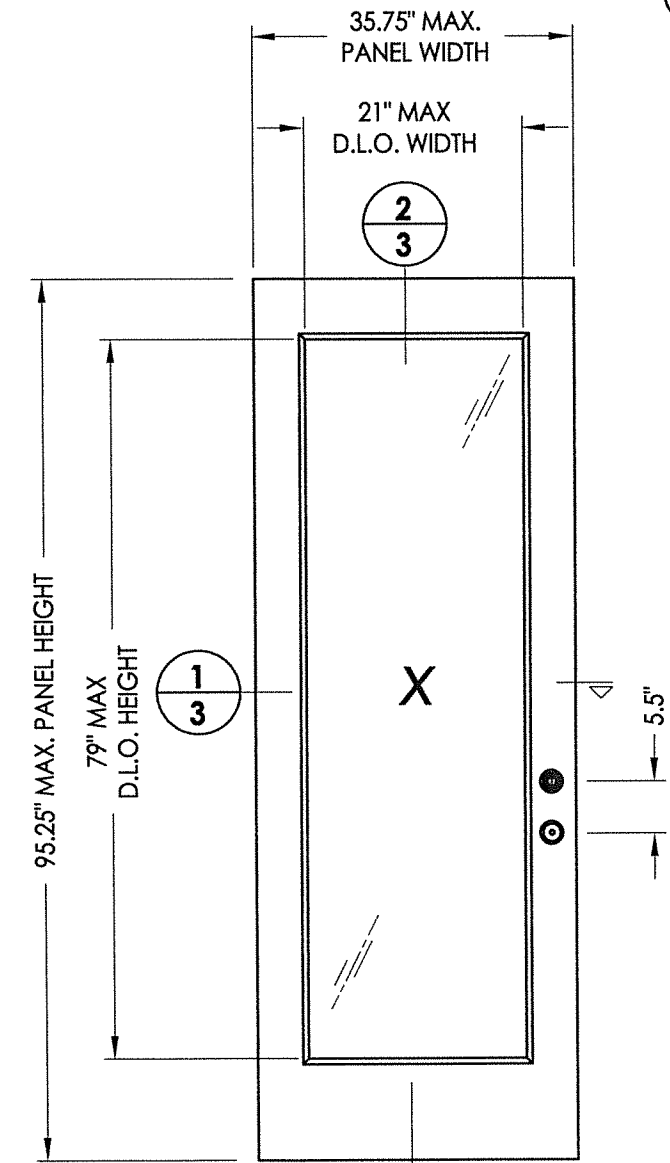
DRAWING NO.: TX-4901

SHEET 2 OF 6

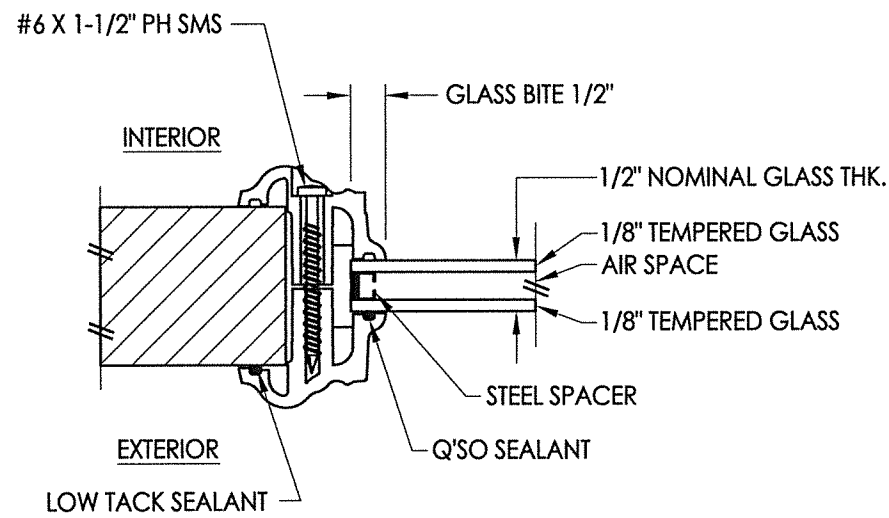
Z:\Clients\Endura PERMANENT\B - Texas Dept of Ins\YDI - DR-1019 Insert GLZ JELD-WEN FG door XX (LK, DB) (4900-4901)\C - Drawings\TX-4900-01.dwg



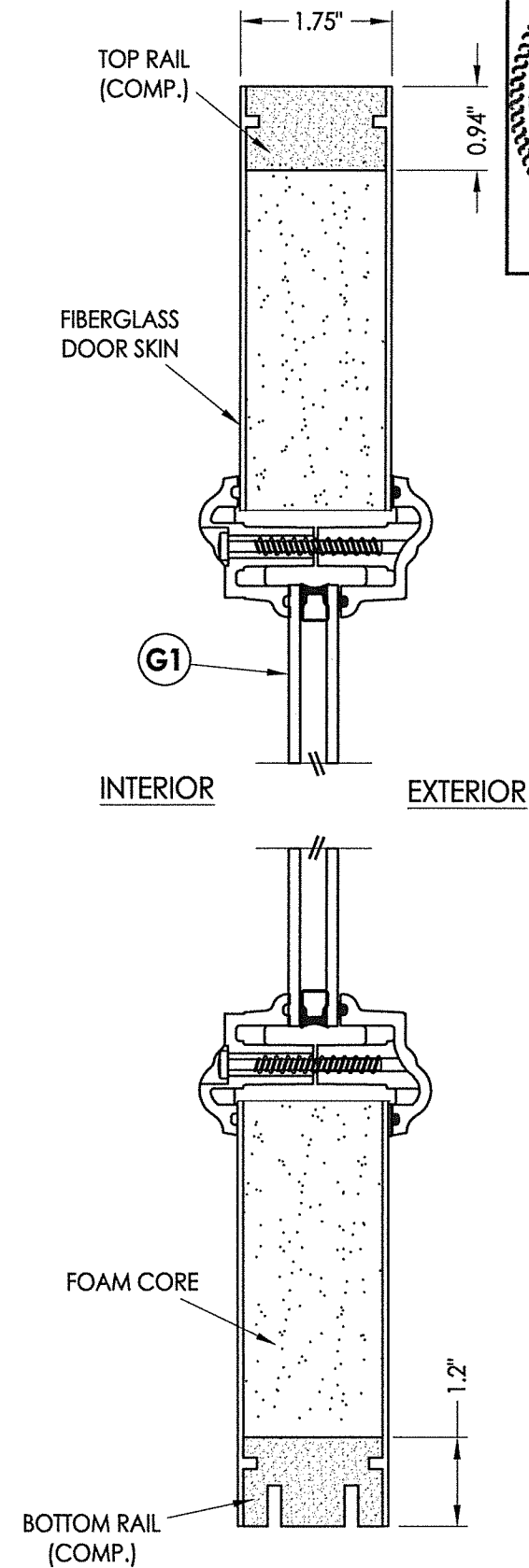
1
3 HORIZONTAL CROSS SECTION



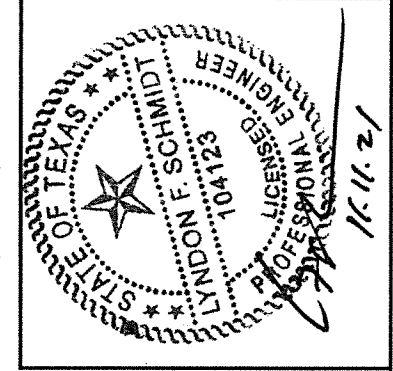
40 DOOR PANEL
JELD-WEN
Fiberglass



G1 GLAZING DETAIL
Lip Lite Insert Glazing



2
3 VERTICAL CROSS SECTION



Documents Prepared By: Lyndon F. Schmidt, P.E.
TEXAS P.E. #104123

RW BUILDING CONSULTANTS, INC.
P.O. Box 230 Valrico FL, 33595
Phone No.: 813.659.9197
TEXAS BOARD OF PROFESSIONAL ENGINEERS
CERTIFICATE OF REGISTRATION # F-11852

PRODUCT: ENDURA
PART OR ASSEMBLY: DOOR PANEL DETAILS

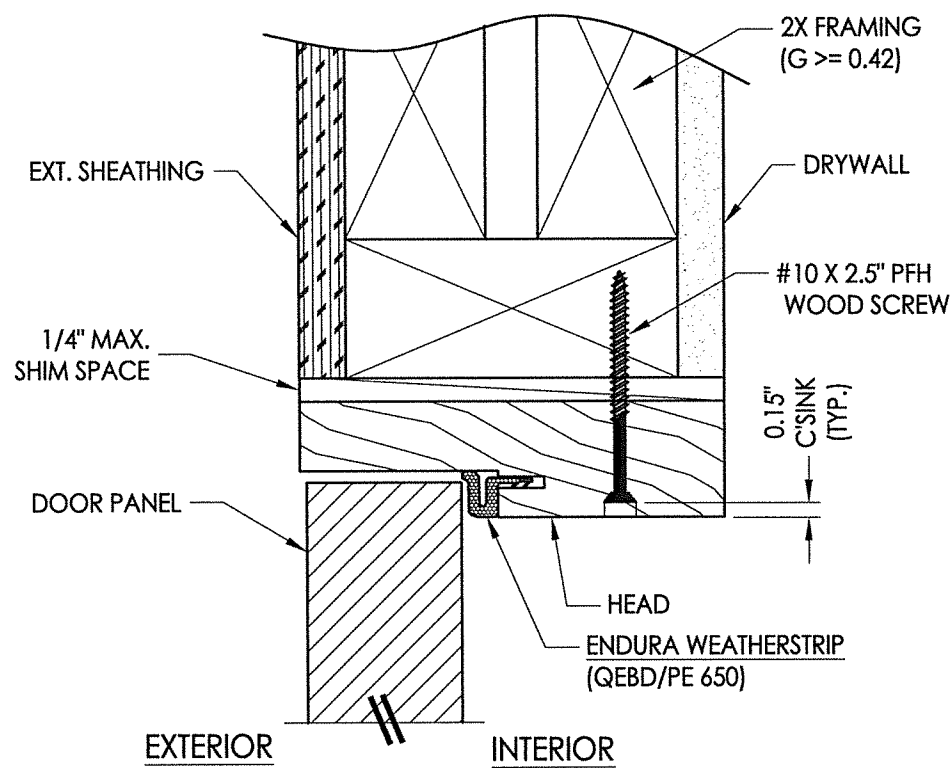
NO.	DATE	REVISIONS
1	11/10/21	UPDATE TO 2018 IBC/IRC CODE
		LFS
		BY

DATE: 11/06/18
SCALE: N.T.S.
DWG. BY: JK
CHK. BY: LFS
DRAWING NO.: TX-4901
SHEET 3 OF 6

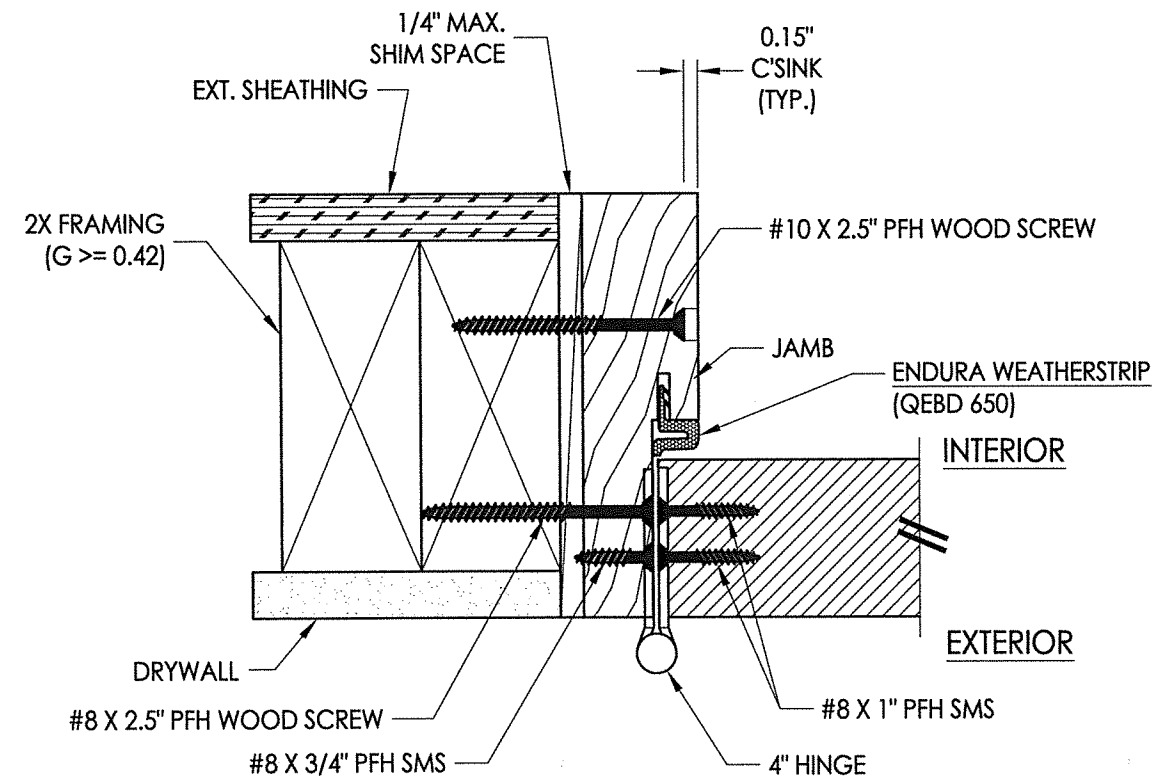
© 2018 R.W. BUILDING CONSULTANTS INC.

DOOR SKIN: FIBERGLASS (0.075" MIN. THICKNESS)
CORE MATERIAL: POLYURETHANE FOAM

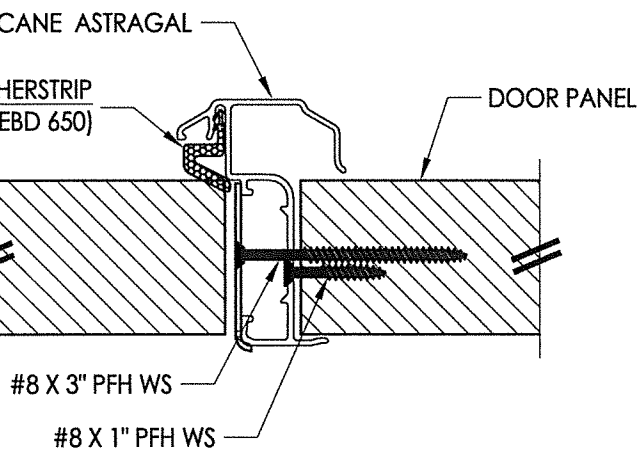
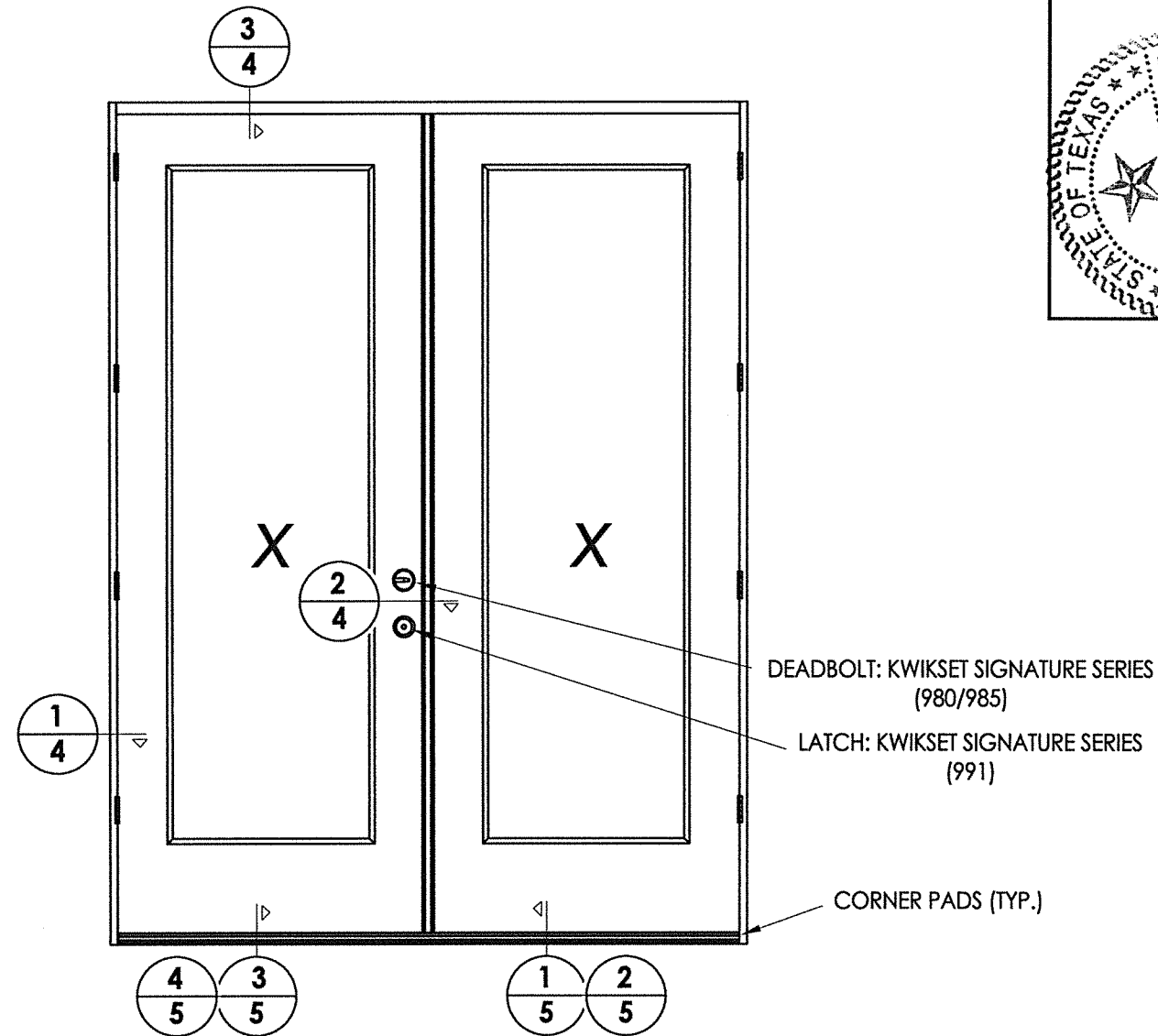
Z:\Clients\Endura PERMANENT\B - Texas Dept of Ins\TDI - DR-1019 Insert GLZ JELD-WEN FG door XX (LK, DB) (4900-4901)\C - Drawings\TX-4900-01.dwg



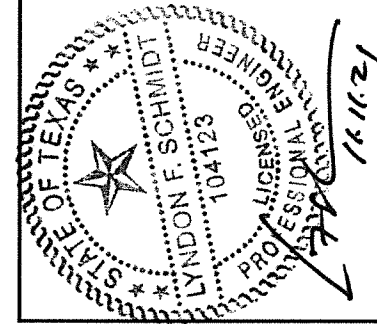
3 VERTICAL CROSS SECTION
 4 Outswing shown - inswing also approved



1 HORIZONTAL CROSS SECTION
 4 Inswing shown - Outswing also approved



2 HORIZONTAL CROSS SECTION
 4



Documents Prepared By: Lyndon F. Schmidt, P.E.
 TEXAS P.E. #104123
RW BUILDING CONSULTANTS, INC.
 P.O. Box 230 Valrico FL 33595
 Phone No.: 813.659.9197
 TEXAS BOARD OF PROFESSIONAL ENGINEERS
 CERTIFICATE OF REGISTRATION # F-11852

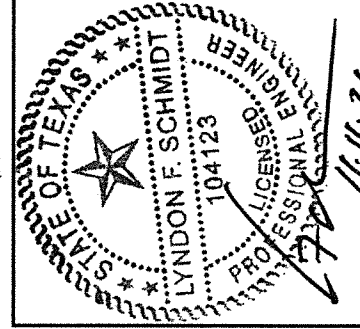
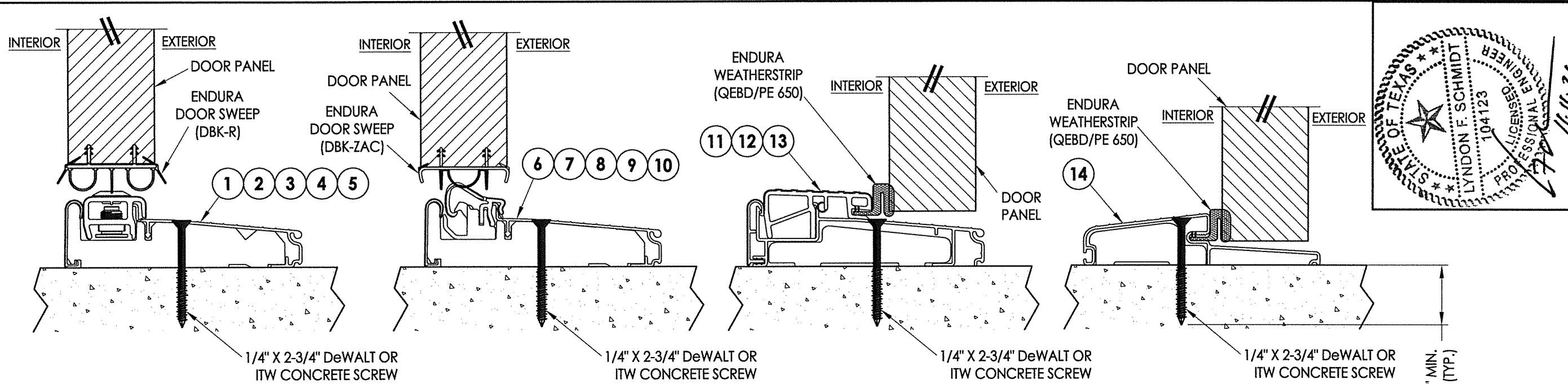
PRODUCT: ENDURA
 PART OR ASSEMBLY: HORIZONTAL & VERTICAL CROSS SECTIONS

NO.	DATE	REVISIONS
1	11/10/21	UPDATE TO 2018 IBC/IRC CODE
		LFS
		BY

DATE: 11/06/18
 SCALE: N.T.S.
 DWG. BY: JK
 CHK. BY: LFS
 DRAWING NO.: TX-4901
 SHEET 4 OF 6

© 2018 R.W. BUILDING CONSULTANTS INC.

Z:\Clients\Endura PERMANENT\B - Texas Dept of Ins\TDI - DR-1019 Insert GLZ JELD-WEN FG door XX (LK, DB) (4900-4901)\C - Drawings\TX-4900-01.dwg



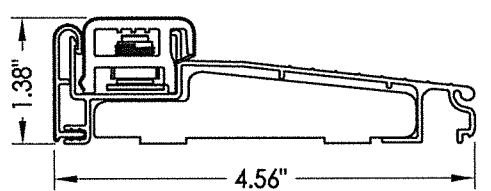
1 VERTICAL CROSS SECTION
5 Inswing Adjustable Threshold

2 VERTICAL CROSS SECTION
5 Inswing Articulating Threshold w/ Pin Capture

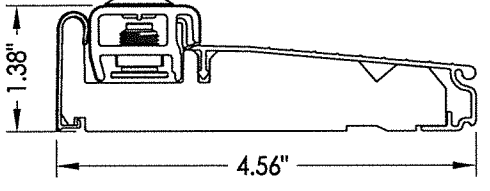
3 VERTICAL CROSS SECTION
5 Outswing Bump Threshold

4 VERTICAL CROSS SECTION
5 Outswing Bump Threshold

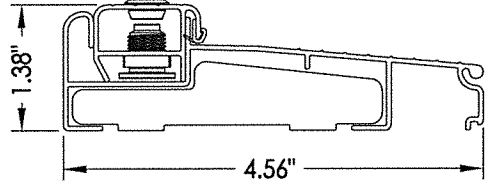
1-1/4" MIN. EMB. (TYP.)



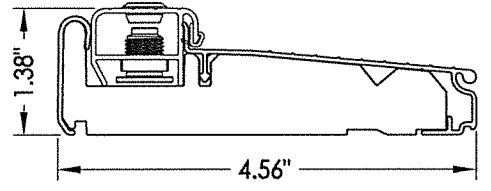
1 INSWING ADJUSTABLE THRESHOLD
ZAIL4565



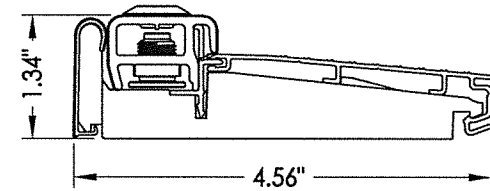
2 INSWING ADJUSTABLE THRESHOLD
ZAI4565FN



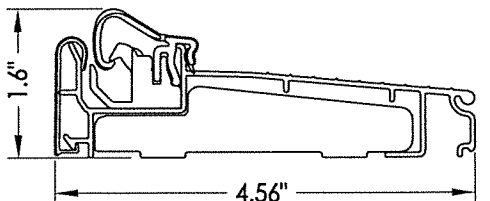
3 INSWING ADJUSTABLE THRESHOLD
ZAILAA4565



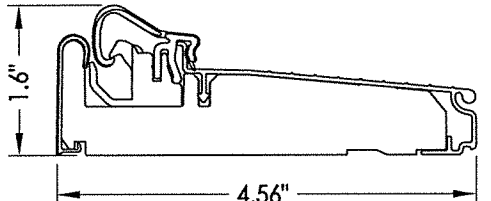
4 INSWING ADJUSTABLE THRESHOLD
ZAI4565FN



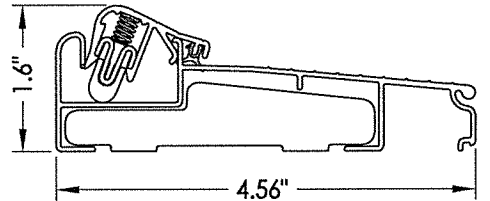
5 INSWING ADJUSTABLE THRESHOLD
ZAI4565RDS



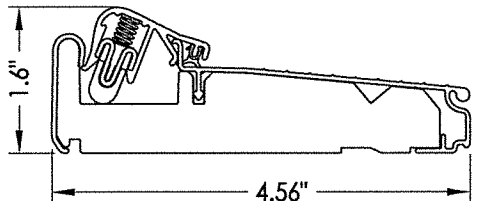
6 INSWING ARTICULATING THRESHOLD
ZACL4565



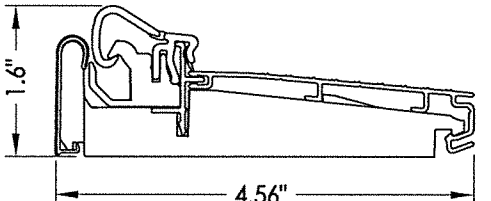
7 INSWING ARTICULATING THRESHOLD
ZAC4565FN



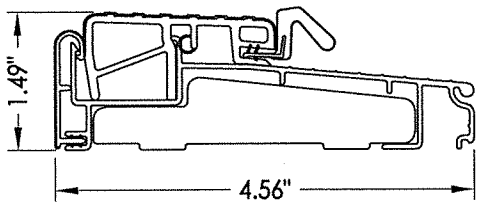
8 INSWING ARTICULATING THRESHOLD
ZAC4565FN



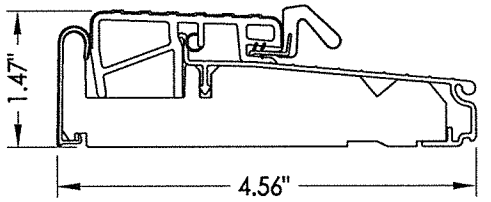
9 INSWING ARTICULATING THRESHOLD
ZACAA4565FN



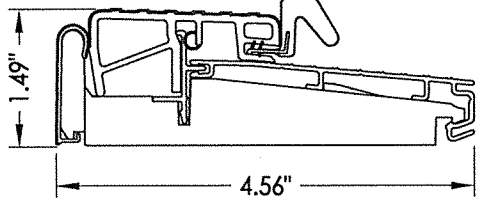
10 INSWING ARTICULATING THRESHOLD
ZAC4565RDS



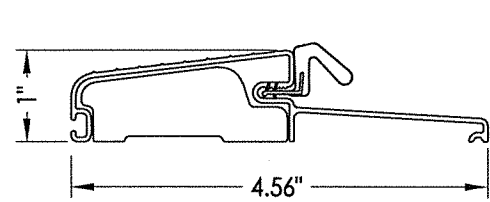
11 OUTSWING THRESHOLD
ZOBL4565



12 OUTSWING THRESHOLD
ZOB4565FN



13 OUTSWING THRESHOLD
ZOB4565RDS



14 OUTSWING THRESHOLD
FOB4566

Documents Prepared By: Lyndon F. Schmidt, P.E.
TEXAS P.E. #104123

RW BUILDING CONSULTANTS, INC.
P.O. Box 230 Valrico FL 33595
Phone No.: 813.659.9197

TEXAS BOARD OF PROFESSIONAL ENGINEERS
CERTIFICATE OF REGISTRATION # F-11852

PRODUCT: ENDURA

PART OR ASSEMBLY: VERTICAL CROSS SECTIONS

NO.	DATE	REVISIONS
1	11/10/21	UPDATE TO 2018 IBC/IRC CODE
LFS		BY

DATE: 11/06/18

SCALE: N.T.S.

DWG. BY: JK

CHK. BY: LFS

DRAWING NO.: TX-4901

SHEET 5 OF 6

