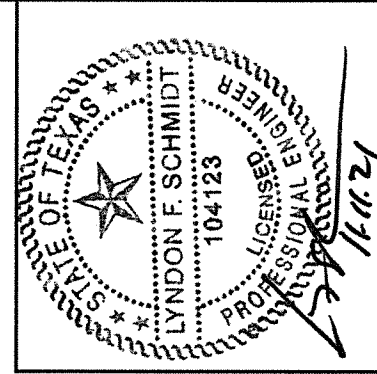
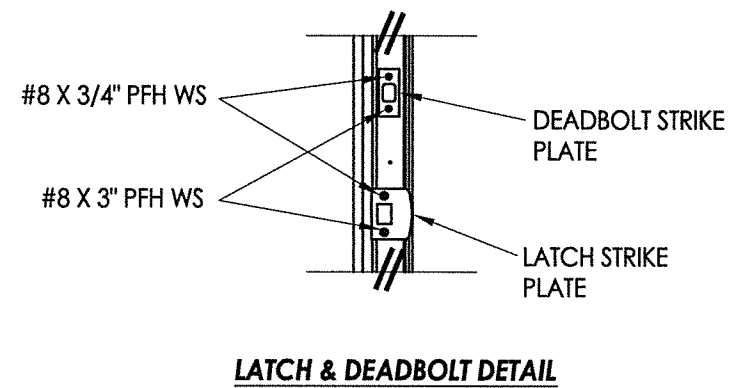
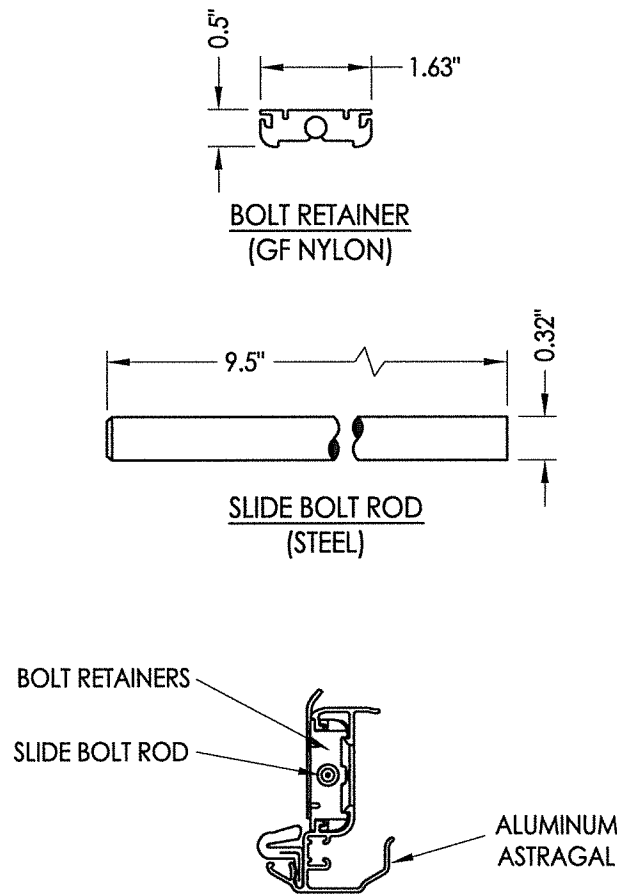
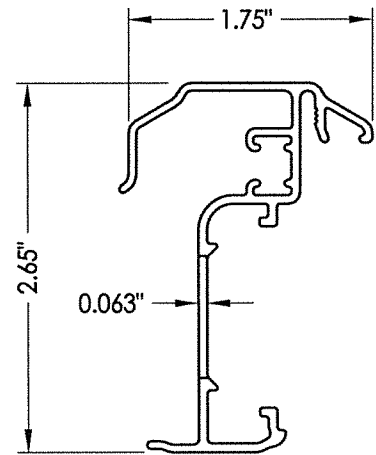
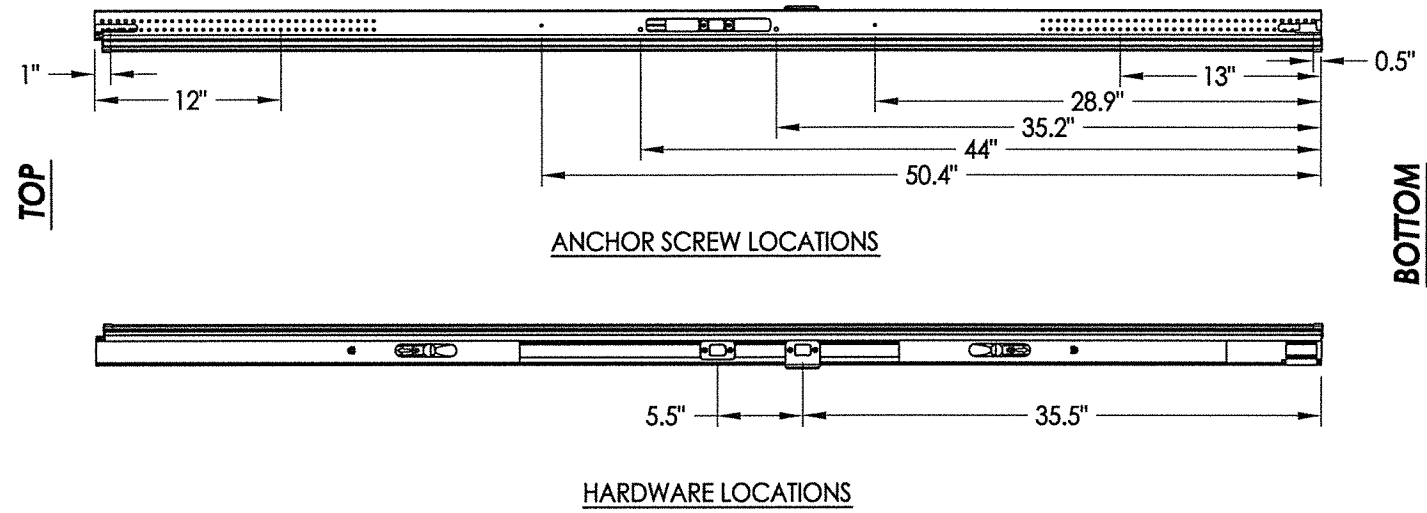


ULTIMATE HURRICANE ASTRAGAL



Documents Prepared By: Lyndon F. Schmidt, P.E.
TEXAS P.E. #104123

RW BUILDING CONSULTANTS, INC.
P.O. Box 230 Valrico FL, 33595
Phone No.: 813.659.9197

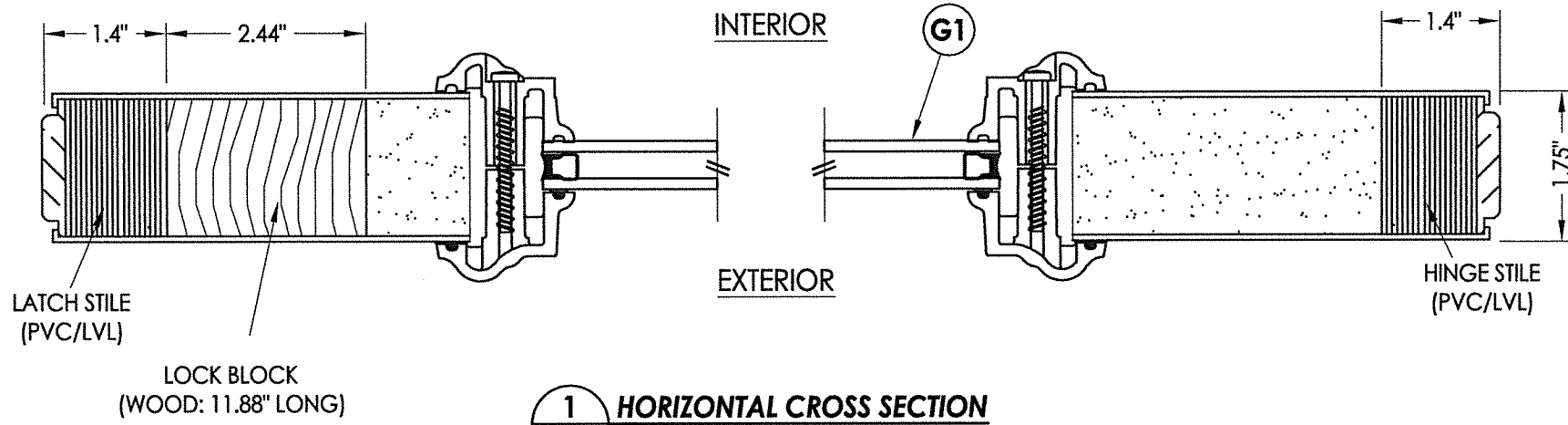
TEXAS BOARD OF PROFESSIONAL ENGINEERS
CERTIFICATE OF REGISTRATION # F-11852

PRODUCT:	ENDURA
PART OR ASSEMBLY:	ASTRAGAL DETAILS

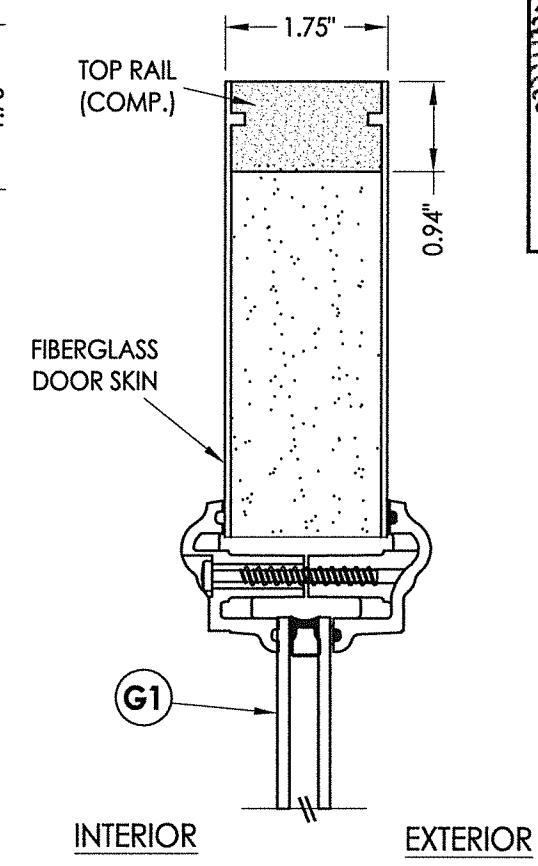
NO.	DATE	REVISIONS
1	11/10/21	UPDATE TO 2018 IBC/IRC CODE
LFS		BY

DATE:	11/06/18
SCALE:	N.T.S.
DWG. BY:	JK
CHK. BY:	LFS
DRAWING NO.:	TX-4900
SHEET	2 OF 6

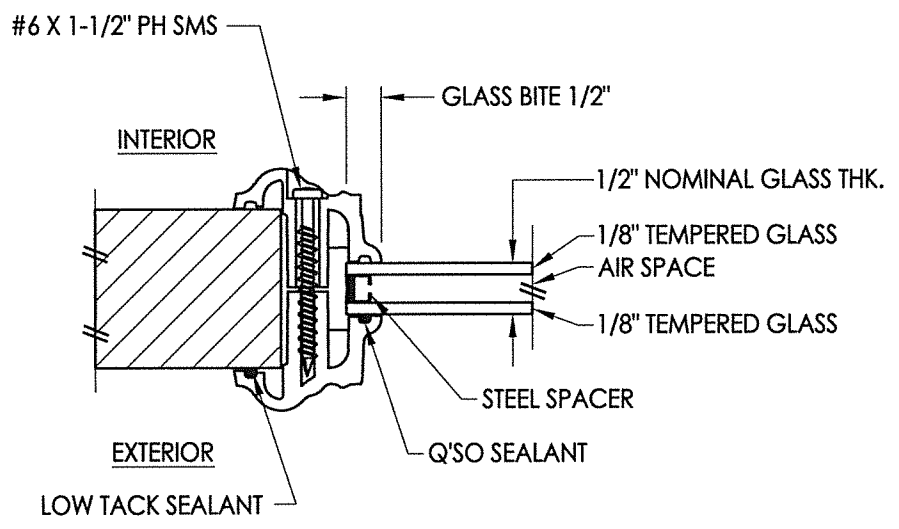
Z:\Clients\Endura PERMANENT\B - Texas Dept of Ins\TDI - DR-1019 Insert GLZ JELD-WEN FG door XX (LK, DB) (4900-4901)\C - Drawings\TX-4900-01.dwg



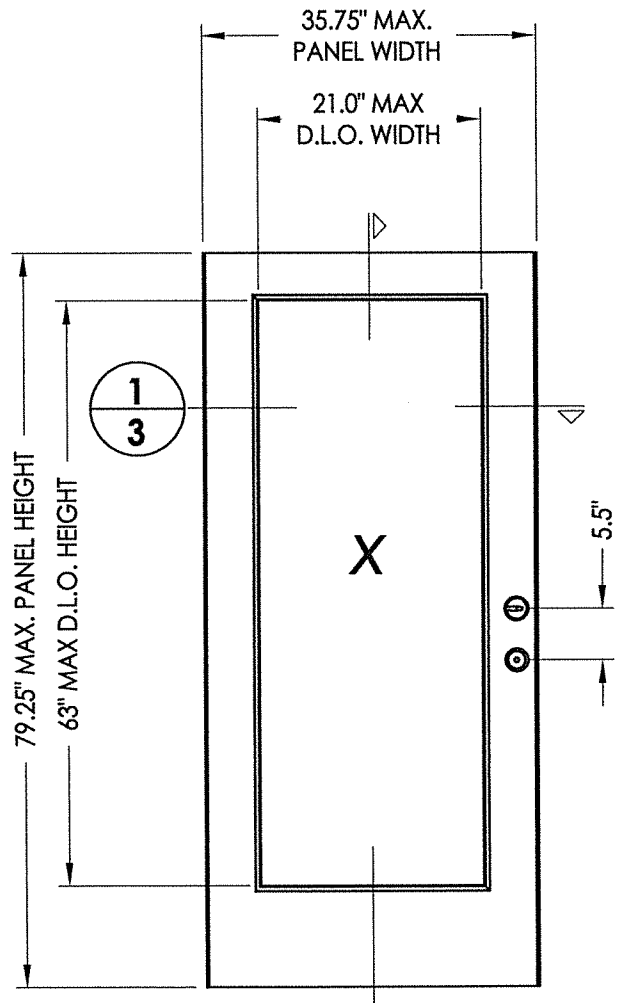
1
3 HORIZONTAL CROSS SECTION



2
3 VERTICAL CROSS SECTION

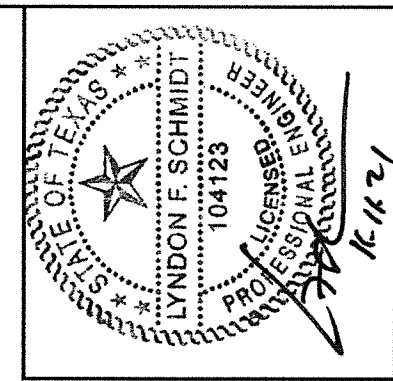


G1 GLAZING DETAIL
Lip Life Insert Glazing



2
3
40 DOOR PANEL
JELD-WEN
Fiberglass

DOOR SKIN: FIBERGLASS (0.075" MIN. THICKNESS)
CORE MATERIAL: POLYURETHANE FOAM



Documents Prepared By: Lyndon F. Schmidt, P.E.
TEXAS P.E. #104123

RW BUILDING CONSULTANTS, INC.
P.O. Box 230 Valrico FL, 33595
Phone No.: 813.659.9197
TEXAS BOARD OF PROFESSIONAL ENGINEERS
CERTIFICATE OF REGISTRATION # F-11852

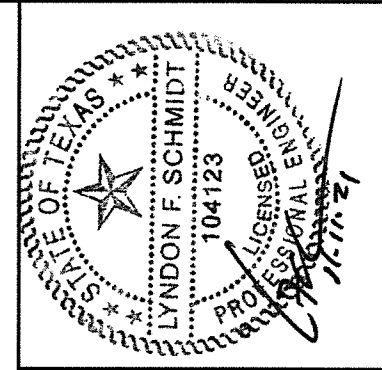
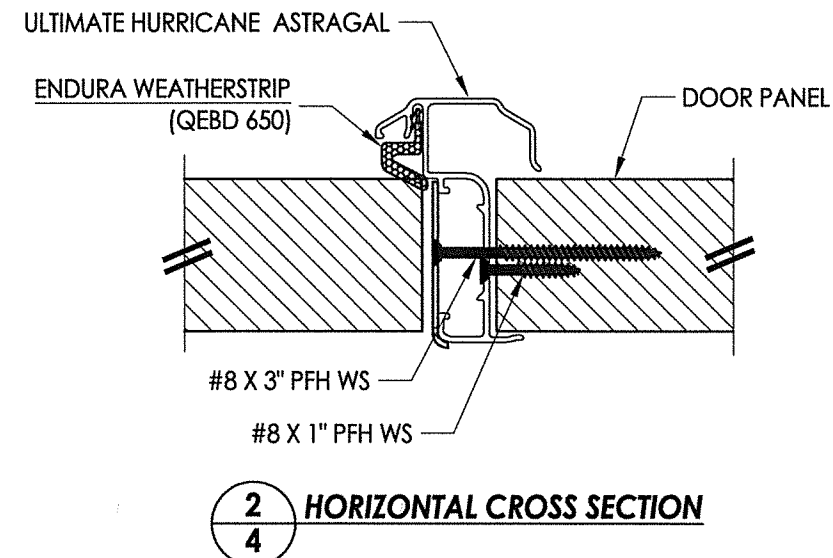
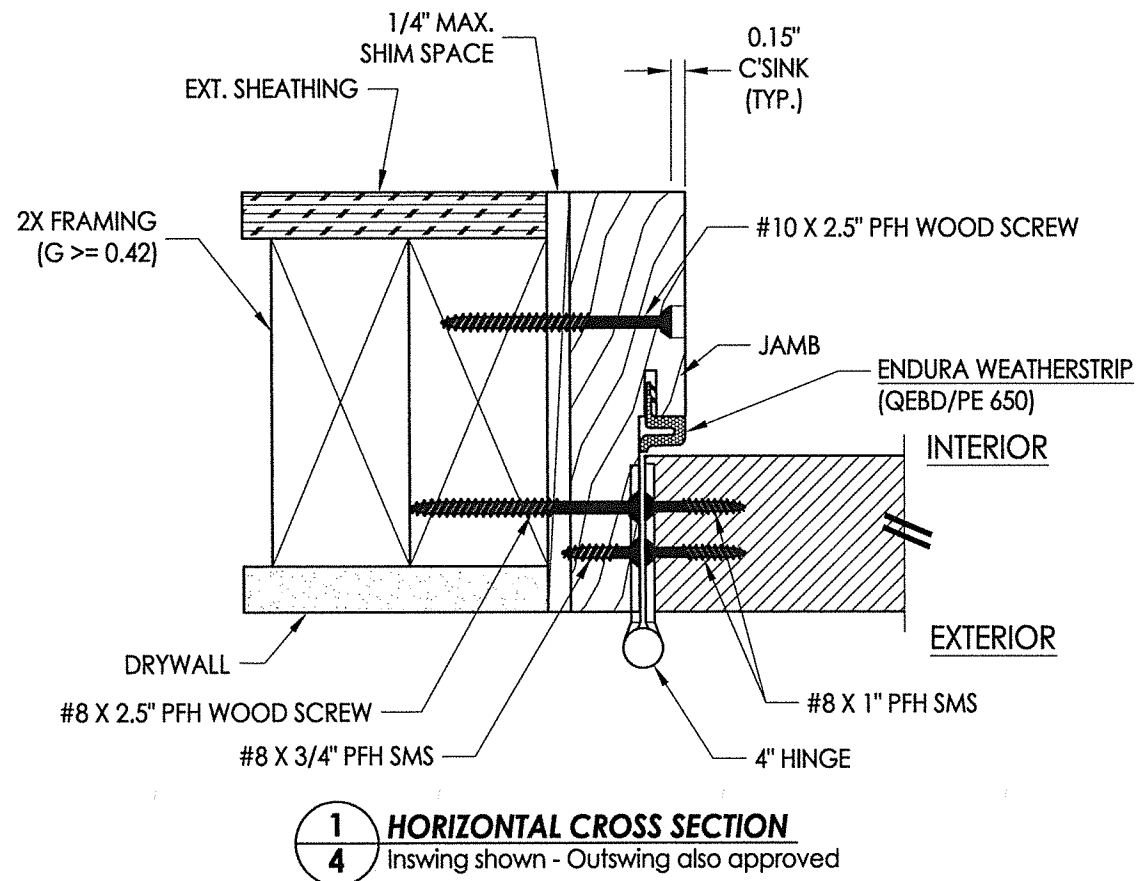
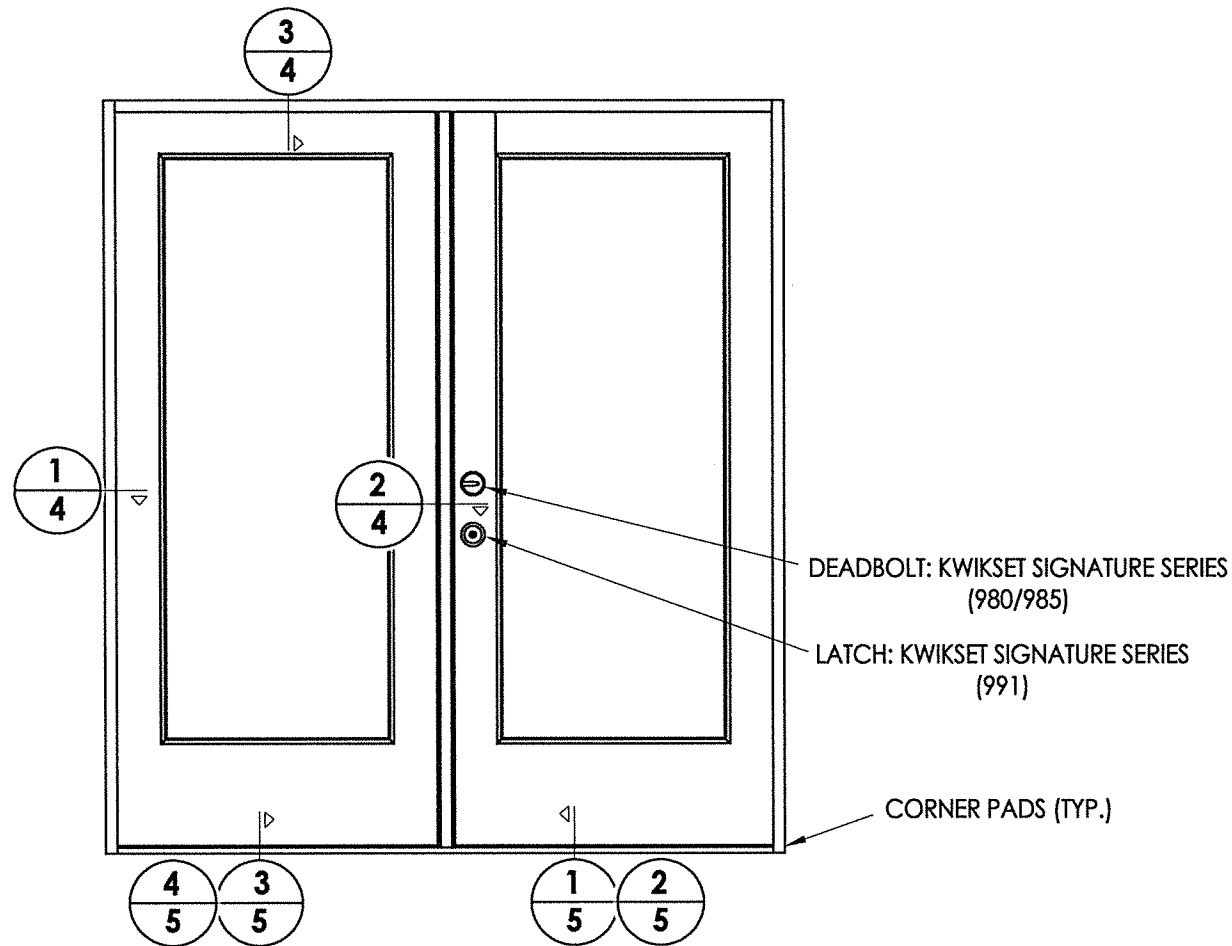
PRODUCT:	ENDURA
PART OR ASSEMBLY:	DOOR PANEL DETAILS

NO.	DATE	REVISIONS
1	11/10/21	UPDATE TO 2018 IBC/IRC CODE
		LFS
		BY

DATE:	11/06/18
SCALE:	N.T.S.
DWG. BY:	JK
CHK. BY:	LFS
DRAWING NO.:	TX-4900
SHEET	3 OF 6

© 2018 R.W. BUILDING CONSULTANTS INC.

Z:\Clients\Endura PERMANENT\B - Texas Dept of Ins\TDI - DR-1019 Insert GLZ JELD-WEN FG door XX (L.K, DB) (4900-4901)\C - Drawings\TX-4900-01.dwg



Documents Prepared By: Lyndon F. Schmidt, P.E.
 TEXAS P.E. #104123

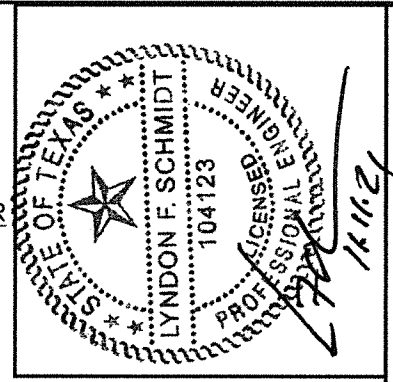
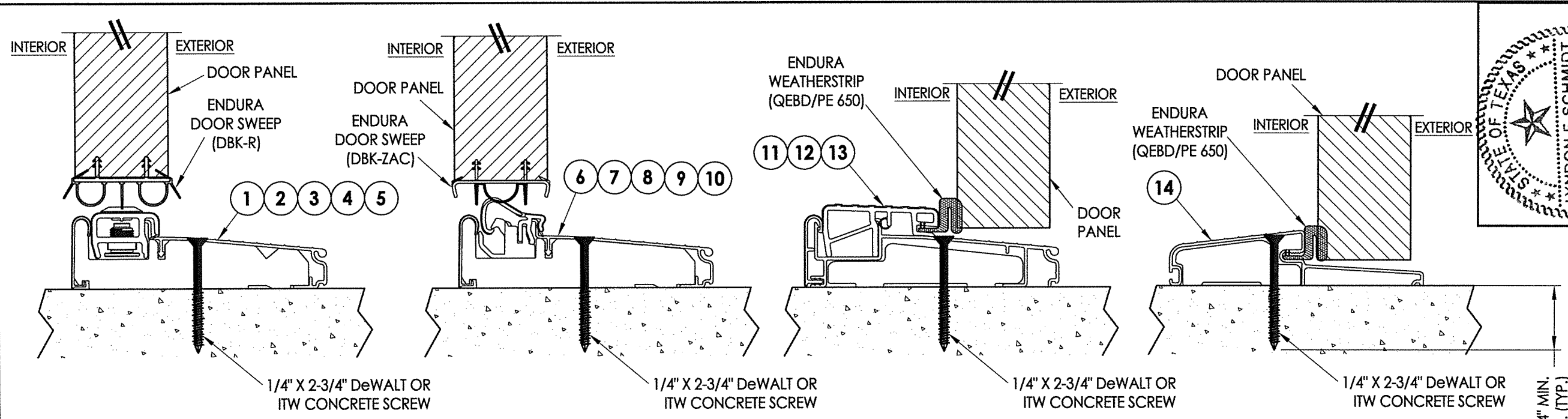
RW BUILDING CONSULTANTS, INC.
 P.O. Box 230 Valrico FL 33595
 Phone No.: 813.659.9197
 TEXAS BOARD OF PROFESSIONAL ENGINEERS
 CERTIFICATE OF REGISTRATION # F-11852

PRODUCT: ENDURA
 PART OR ASSEMBLY: HORIZONTAL & VERTICAL CROSS SECTIONS

NO.	DATE	DESCRIPTION	BY
1	11/10/21	UPDATE TO 2018 IBC/IRC CODE	LFS

DATE: 11/06/18
 SCALE: N.T.S.
 DWG. BY: JK
 CHK. BY: LFS
 DRAWING NO.: TX-4900
 SHEET 4 OF 6

Z:\Clients\Endura PERMANENT\B - Texas Dept of Ins\TDI - DR-1019 Insert GLZ JELD-WEN FG door XX (LK, DB) (4900-4901)\C - Drawings\TX-4900-01.dwg



Documents Prepared By: Lyndon F. Schmidt, P.E.
TEXAS P.E. #104123

RW BUILDING CONSULTANTS, INC.
P.O. Box 230 Vairico FL 33595
Phone No.: 813.659.9197
TEXAS BOARD OF PROFESSIONAL ENGINEERS
CERTIFICATE OF REGISTRATION # F-11852

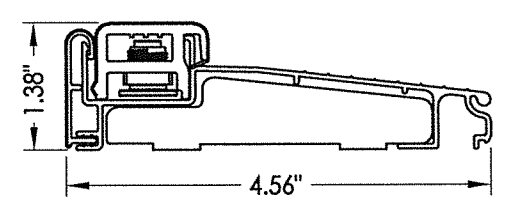
1 VERTICAL CROSS SECTION
5 Inswing Adjustable Threshold

2 VERTICAL CROSS SECTION
5 Inswing Articulating Threshold w/ Pin Capture

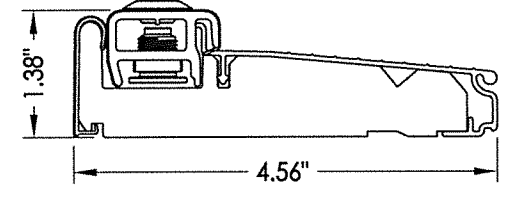
3 VERTICAL CROSS SECTION
5 Outswing Bump Threshold

4 VERTICAL CROSS SECTION
5 Outswing Bump Threshold

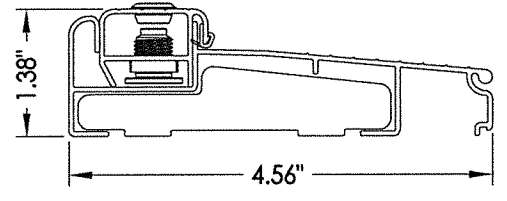
1-1/4" MIN.
EMB. (TYP.)



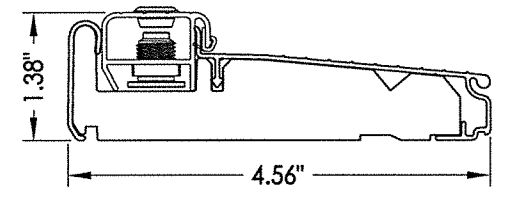
1 INSWING ADJUSTABLE THRESHOLD
ZAIL4565



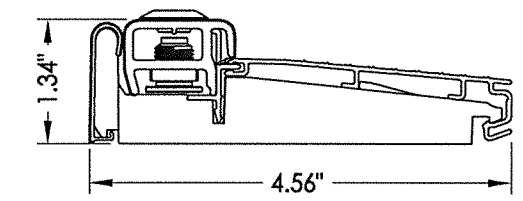
2 INSWING ADJUSTABLE THRESHOLD
ZAI4565FN
MAX. DESIGN PRESSURE = ±40 PSF



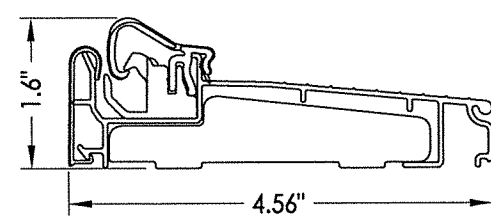
3 INSWING ADJUSTABLE THRESHOLD
ZAILAA4565



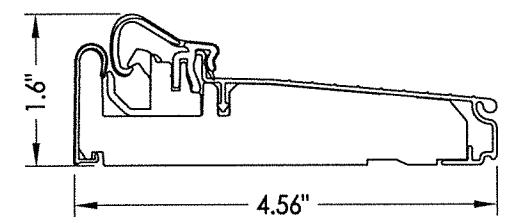
4 INSWING ADJUSTABLE THRESHOLD
ZAI4565FN
MAX. DESIGN PRESSURE = ±40 PSF



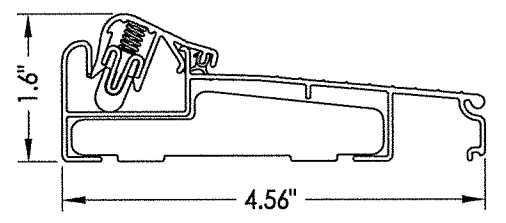
5 INSWING ADJUSTABLE THRESHOLD
ZAI4565RDS
MAX. DESIGN PRESSURE = ±40 PSF



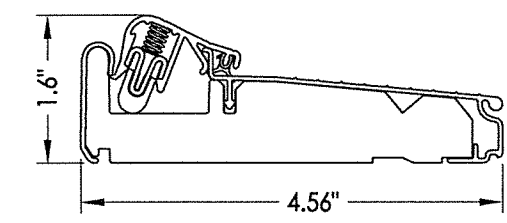
6 INSWING ARTICULATING THRESHOLD
ZACL4565
MAX. DESIGN PRESSURE = ±40 PSF



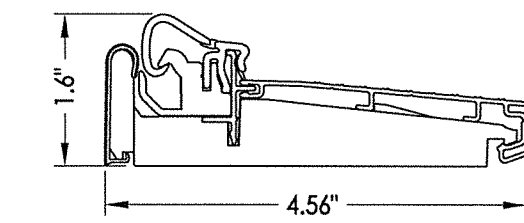
7 INSWING ARTICULATING THRESHOLD
ZAC4565FN
MAX. DESIGN PRESSURE = ±40 PSF



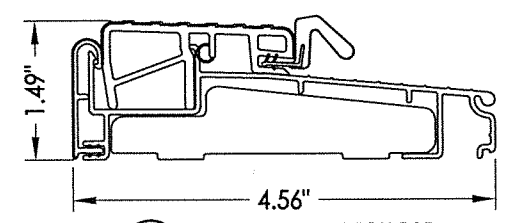
8 INSWING ARTICULATING THRESHOLD
ZACLA4565
MAX. DESIGN PRESSURE = ±40 PSF



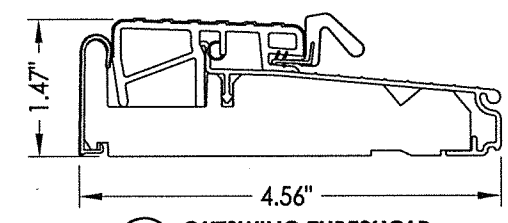
9 INSWING ARTICULATING THRESHOLD
ZACAA4565FN
MAX. DESIGN PRESSURE = ±40 PSF



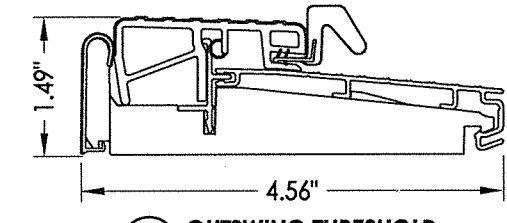
10 INSWING ARTICULATING THRESHOLD
ZAC4565RDS
MAX. DESIGN PRESSURE = ±40 PSF



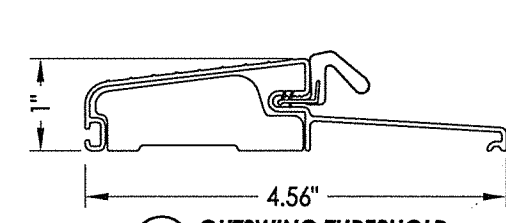
11 OUTSWING THRESHOLD
ZOBL4565



12 OUTSWING THRESHOLD
ZOB4565FN



13 OUTSWING THRESHOLD
ZOB4565RDS



14 OUTSWING THRESHOLD
FOB4566

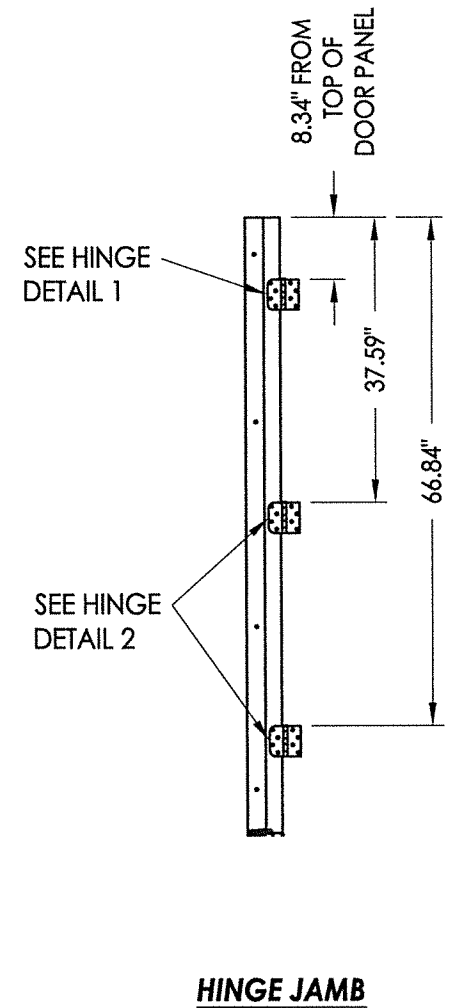
PRODUCT: ENDURA

PART OR ASSEMBLY: VERTICAL CROSS SECTIONS

NO.	DATE	REVISIONS
1	11/10/21	UPDATE TO 2018 IBC/IRC CODE
		LFS
		BY

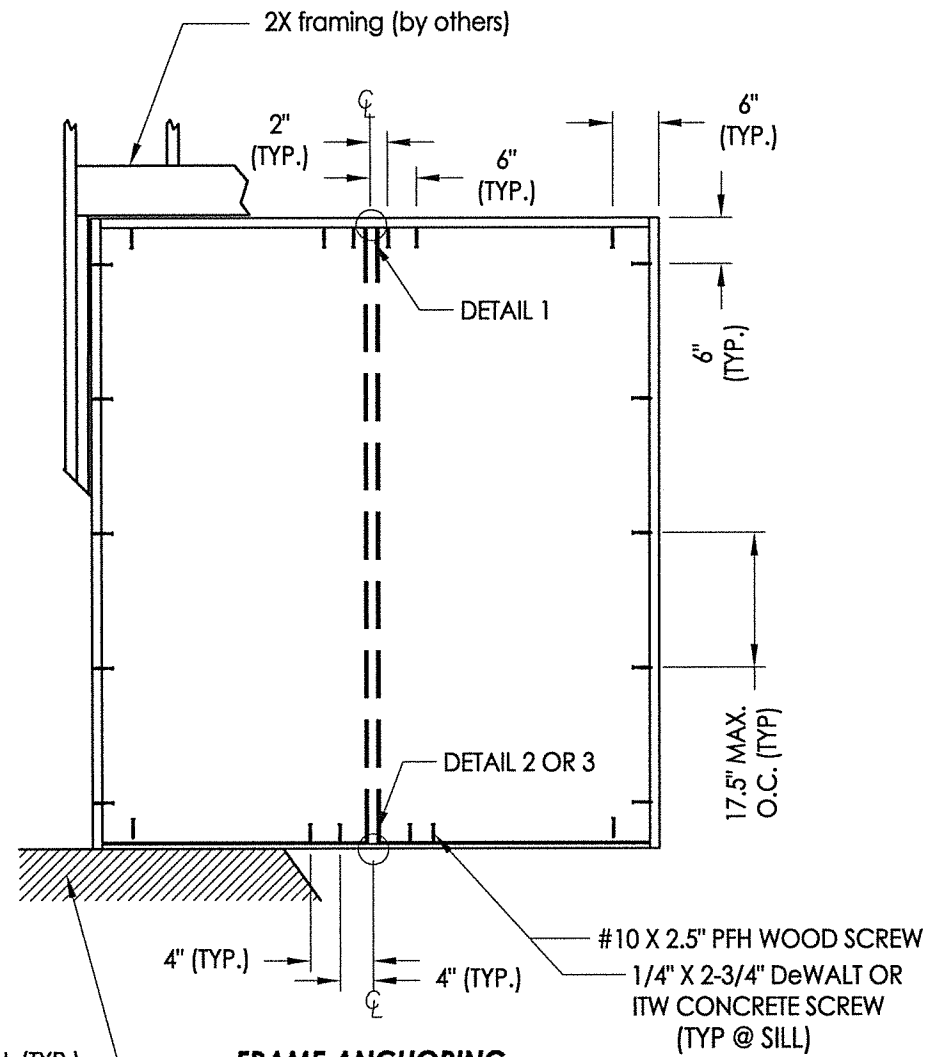
DATE:	11/06/18
SCALE:	N.T.S.
DWG. BY:	JK
CHK. BY:	LFS
DRAWING NO.:	TX-4900
SHEET	5 OF 6

© 2018 R.W. BUILDING CONSULTANTS INC.

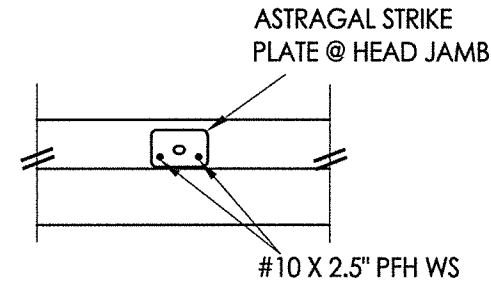


HINGE JAMB

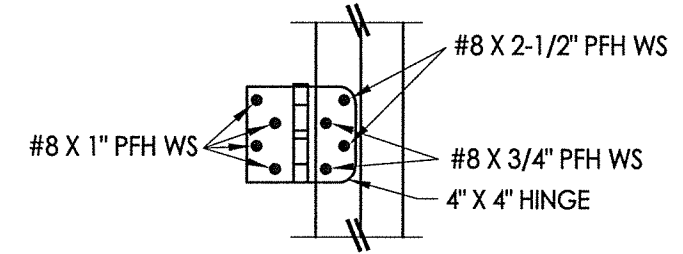
FLOOR SUBSTRATE MATERIAL (TYP.)
 CONCRETE (MIN. 3000 PSI)
 WOOD (G >= 0.42)



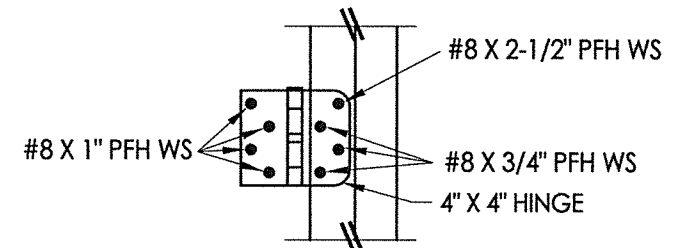
FRAME ANCHORING
XX



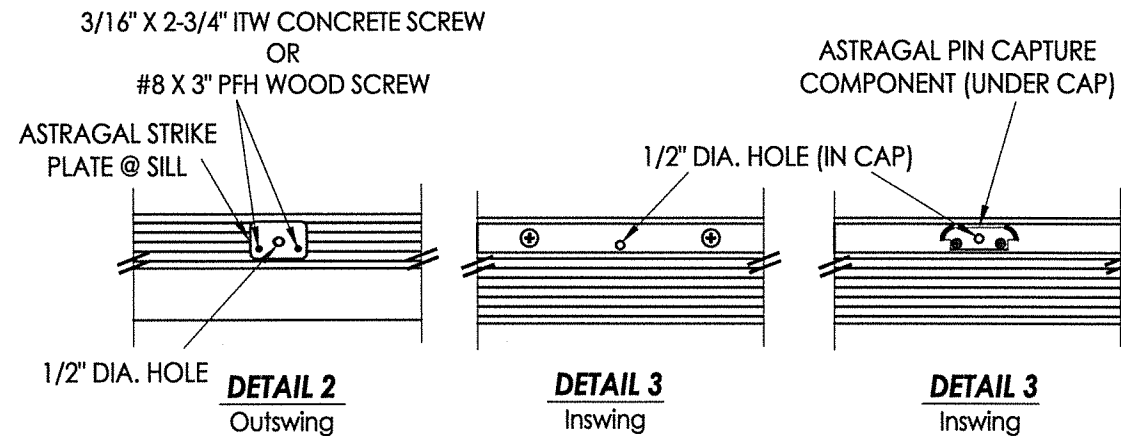
DETAIL 1



HINGE DETAIL 1



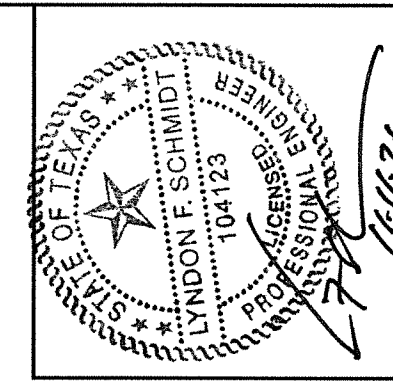
HINGE DETAIL 2



CONCRETE ANCHOR NOTES:

1. Concrete anchor locations at the corners may be adjusted to maintain the min. edge distance to mortar joints.
2. Concrete anchor locations noted as "MAX. ON CENTER" must be adjusted to maintain the min. edge distance to mortar joints, additional concrete anchors may be required to ensure the "MAX. ON CENTER" dimension are not exceeded.
3. Concrete anchor table:

ANCHOR TYPE	ANCHOR SIZE	MIN. EMBEDMENT	MIN. CLEARANCE TO MASONRY EDGE	MIN. CLEARANCE TO ADJACENT ANCHOR
ITW TAPCON®	3/16"	1-3/4"	3"	1-1/2"
	1/4"	1-3/4"	1-1/2"	4"
DeWALT ULTRACON®	1/4"	1-3/4"	1"	4"



Documents Prepared By: Lyndon F. Schmidt, P.E.
 TEXAS P.E. #104123

RW BUILDING CONSULTANTS, INC.
 P.O. Box 230 Valrico FL 33595
 Phone No.: 813.659.9197

TEXAS BOARD OF PROFESSIONAL ENGINEERS
 CERTIFICATE OF REGISTRATION # F-11852

PRODUCT: ENDURA

PART OR ASSEMBLY: FRAME ANCHORING

NO.	DATE	REVISIONS
1	11/10/21	UPDATE TO 2018 IBC/IRC CODE
		LFS
		BY

DATE: 11/06/18
 SCALE: N.T.S.
 DWG. BY: JK
 CHK. BY: LFS
 DRAWING NO.: TX-4900
 SHEET 6 OF 6