

REVISIONS			
REV	DESCRIPTION	DATE	APPROVED
B	REVISED PER NEW CODE	12/20/2021	R.L.

NOTES:

1. THE PRODUCT SHOWN HEREIN IS DESIGNED AND MANUFACTURED TO COMPLY WITH REQUIREMENTS OF THE 2018 IBC AND 2018 IRC.
2. WOOD FRAMING AND MASONRY OPENING TO BE DESIGNED AND ANCHORED TO PROPERLY TRANSFER ALL LOADS TO STRUCTURE. FRAMING AND MASONRY OPENING IS THE RESPONSIBILITY OF THE ARCHITECT OR ENGINEER OF RECORD.
3. 1X BUCK OVER MASONRY/CONCRETE IS OPTIONAL.
4. WHERE SHIM OR BUCK THICKNESS IS LESS THAN 1-1/2" WINDOW UNITS MUST BE ANCHORED THROUGH THE FRAME IN ACCORDANCE WITH MANUFACTURER'S PUBLISHED INSTALLATION INSTRUCTIONS. ANCHORS SHALL BE SECURELY FASTENED DIRECTLY INTO MASONRY, CONCRETE OR OTHER STRUCTURAL SUBSTRATE MATERIAL.
5. WHERE WOOD BUCK THICKNESS IS 1-1/2" OR GREATER, BUCK SHALL BE SECURELY FASTENED TO MASONRY, CONCRETE OR OTHER STRUCTURAL SUBSTRATE. WINDOW UNITS MAY BE ANCHORED THROUGH FRAME TO SECURED WOOD BUCK IN ACCORDANCE WITH MANUFACTURER'S PUBLISHED INSTALLATION INSTRUCTIONS.
6. WHERE 1X BUCK IS NOT USED DISSIMILAR MATERIALS MUST BE SEPARATED WITH APPROVED COATING OR MEMBRANE. SELECTION OF COATING OR MEMBRANE IS THE RESPONSIBILITY OF THE ARCHITECT OR ENGINEER OF RECORD.
7. BUCKS SHALL EXTEND BEYOND WINDOW INTERIOR FACE SO THAT FULL FRAME SUPPORT IS PROVIDED.
8. SHIM AS REQUIRED AT EACH ANCHOR LOCATION WITH LOAD BEARING SHIM. SHIM WHERE SPACE OF 1/16" OR GREATER OCCURS. MAXIMUM ALLOWABLE SHIM STACK TO BE 1/4".
9. SHIMS SHALL BE LOCATED, APPLIED AND MADE FROM MATERIALS AND THICKNESS CAPABLE OF SUSTAINING APPLICABLE LOADS.
10. WIND LOAD DURATION FACTOR Cd=1.6 WAS USED FOR WOOD ANCHOR CALCULATIONS.
11. FRAME MATERIAL: CO-EXTRUDED PVC FOAM.
12. UNITS MUST BE GLAZED WITH SAFETY GLASS PER ASTM E1300, WITH SAFETY GLAZING.
13. APPROVED IMPACT PROTECTIVE SYSTEM IS REQUIRED FOR THIS PRODUCT IN WIND BORNE DEBRIS REGIONS.
14. FOR ANCHORING INTO WOOD FRAMING OR 2X BUCK USE #10 WOOD SCREWS WITH SUFFICIENT LENGTH TO ACHIEVE A 1 1/4" MINIMUM EMBEDMENT INTO SUBSTRATE. LOCATE ANCHORS AS SHOWN IN ELEVATIONS AND INSTALLATION DETAILS.
15. FOR ANCHORING INTO MASONRY/CONCRETE USE 1/4" TAPCONS WITH SUFFICIENT LENGTH TO ACHIEVE A 1 1/4" MINIMUM EMBEDMENT INTO SUBSTRATE WITH 2 1/4" MINIMUM EDGE DISTANCE. LOCATE ANCHORS AS SHOWN IN ELEVATIONS AND INSTALLATION DETAILS.
16. FOR ANCHORING INTO METAL STRUCTURE USE #10 SMS OR SELF DRILLING SCREWS WITH SUFFICIENT LENGTH TO ACHIEVE 3 THREADS MINIMUM BEYOND STRUCTURE INTERIOR WALL. LOCATE ANCHORS AS SHOWN IN ELEVATIONS AND INSTALLATION DETAILS.
17. ALL FASTENERS TO BE CORROSION RESISTANT.
18. INSTALLATION ANCHORS SHALL BE INSTALLED IN ACCORDANCE WITH ANCHOR MANUFACTURER'S INSTALLATION INSTRUCTIONS AND ANCHORS SHALL NOT BE USED IN SUBSTRATES WITH STRENGTHS LESS THAN THE MINIMUM STRENGTH SPECIFIED BELOW:
 - A. WOOD – MINIMUM SPECIFIC GRAVITY OF G=0.42
 - B. CONCRETE – MINIMUM COMPRESSIVE STRENGTH OF 3,192 PSI.
 - C. MASONRY – STRENGTH CONFORMANCE TO ASTM C-90, GRADE N, TYPE 1 (OR GREATER).
 - D. METAL STRUCTURE: STEEL 18GA, 33KSI OR ALUMINUM 6063-T5 1/8" THICK MINIMUM
19. APPROVED CONFIGURATIONS: X, OX, XO, X/O, O/X, XX, OXX, XXO, O/XX, XX/O, OXO, O/XO, OX/O, O/XXO, OXX/O AND OXXO, SEE SHEET 3.
20. SIDELITES ARE ASSEMBLED TO FRAME WITH #10X2 1/2" WOOD SCREWS LOCATED 4" FROM EACH END AND 26 7/8" MAX O.C. THEREAFTER AT JAMBS AND 4" FROM EACH END AND ONE AT MIDSPAN AT HEAD AND SILL.

TABLE OF CONTENTS	
SHEET NO.	DESCRIPTION
1	NOTES
2	ELEVATION
3	APPROVED CONFIGURATIONS
4 – 5	ANCHORING LAYOUTS
6 – 13	INSTALLATION DETAILS
14	COMPONENTS

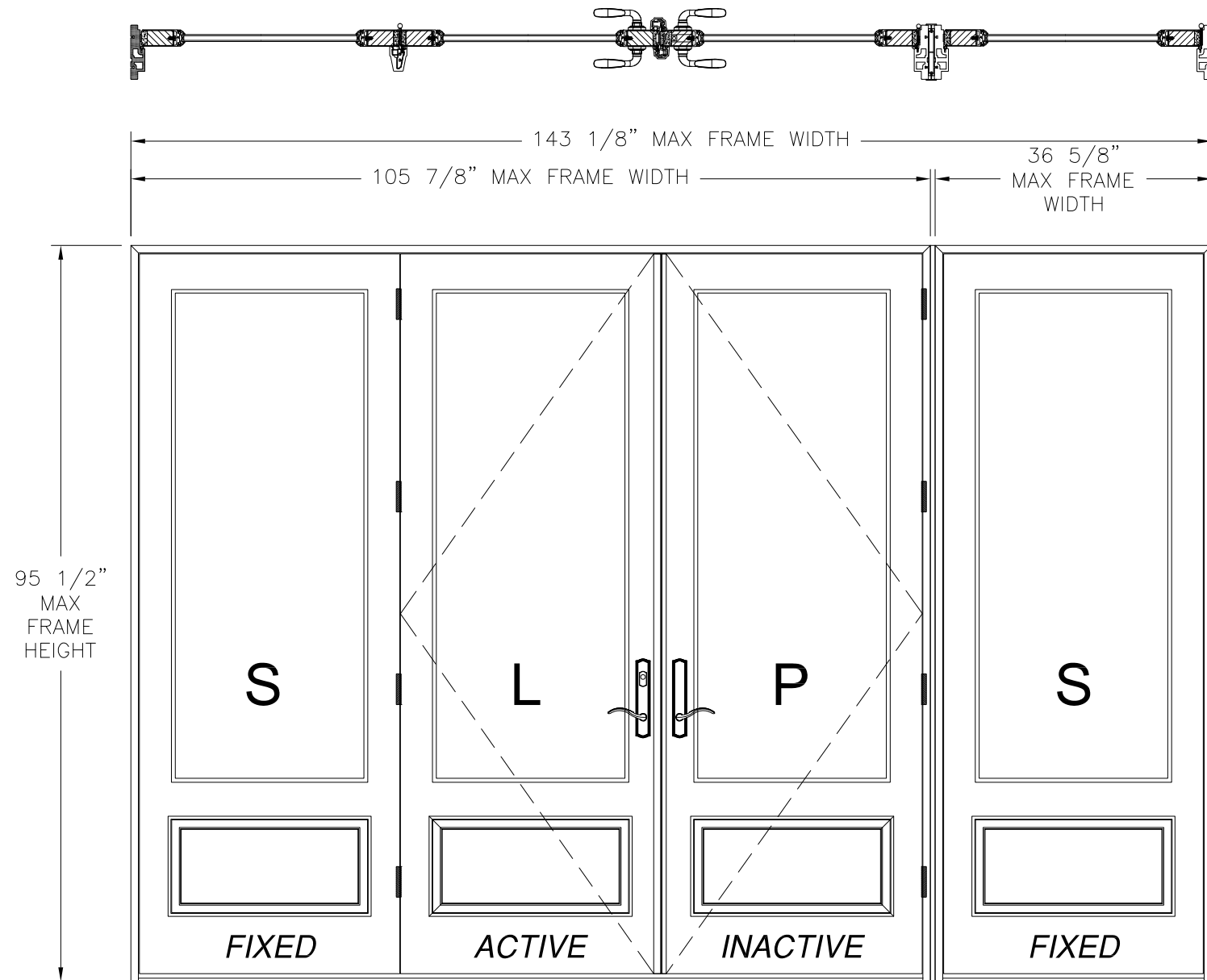
NAN YA PLASTICS CORP. USA 8989 NORTH LOOP EAST HOUSTON, TX 77029		
SERIES SLPS INSWING 3/4 LITE FIBERGLASS PATIO DOOR NON-IMPACT NOTES		
DRAWN: N.G.	DWG NO. 08-02503	REV B
SCALE NTS	DATE 10/20/14	SHEET 1 OF 14
L. ROBERTO LOMAS P.E. 1432 WOODFORD RD LEWISVILLE, NC 27023 434-688-0609 rllomas@rlomaspe.com		

SIGNED: 12/20/2021



Luis R. Lomas P.E.
 TX No.: 101889
 Firm No: F-23130

REVISIONS			
REV	DESCRIPTION	DATE	APPROVED
B	REVISED PER NEW CODE	12/20/2021	R.L.



- NOTES:
 1. PANEL SIZE: 34 1/2" X 92 1/16"
 2. D.L.O.: 25 1/4" X 63 1/4"

SLPS 12080 INSWING 3/4 LITE PATIO DOOR
 EXTERIOR VIEW

DESIGN PRESSURE RATING	IMPACT RATING
±50.0PSF	NONE

SIGNED: 12/20/2021

NAN YA PLASTICS CORP. USA
 8989 NORTH LOOP EAST
 HOUSTON, TX 77029

SERIES SLPS INSWING 3/4 LITE FIBERGLASS
 PATIO DOOR NON-IMPACT
 ELEVATION

DRAWN: N.G.	DWG NO. 08-02503	REV B
SCALE NTS	DATE 10/20/14	SHEET 2 OF 14

L. ROBERTO LOMAS P.E.
 1432 WOODFORD RD LEWISVILLE, NC 27023
 434-688-0609 rllomas@lrlomaspe.com

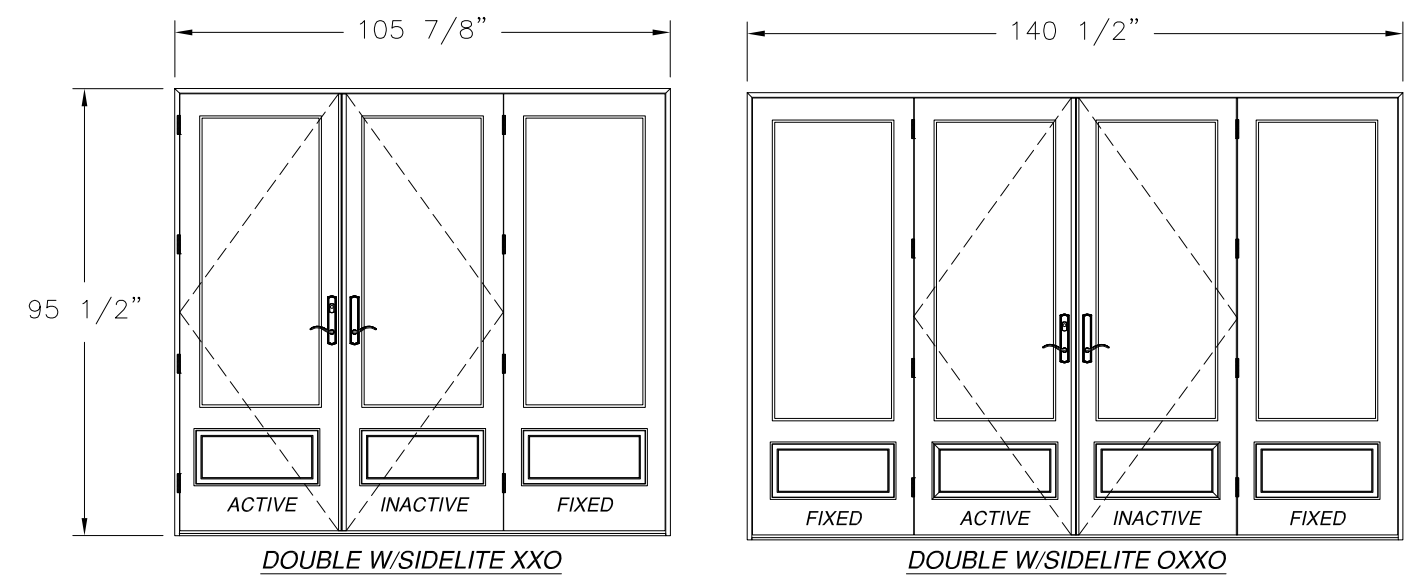
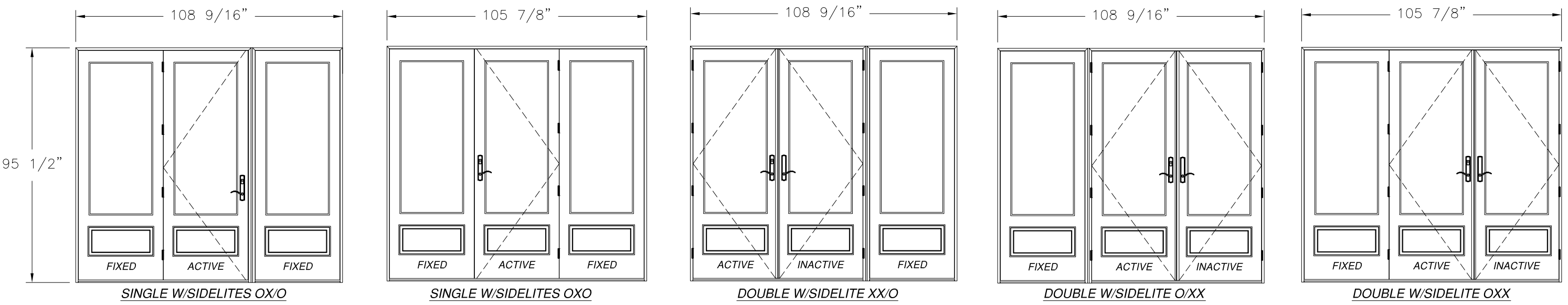
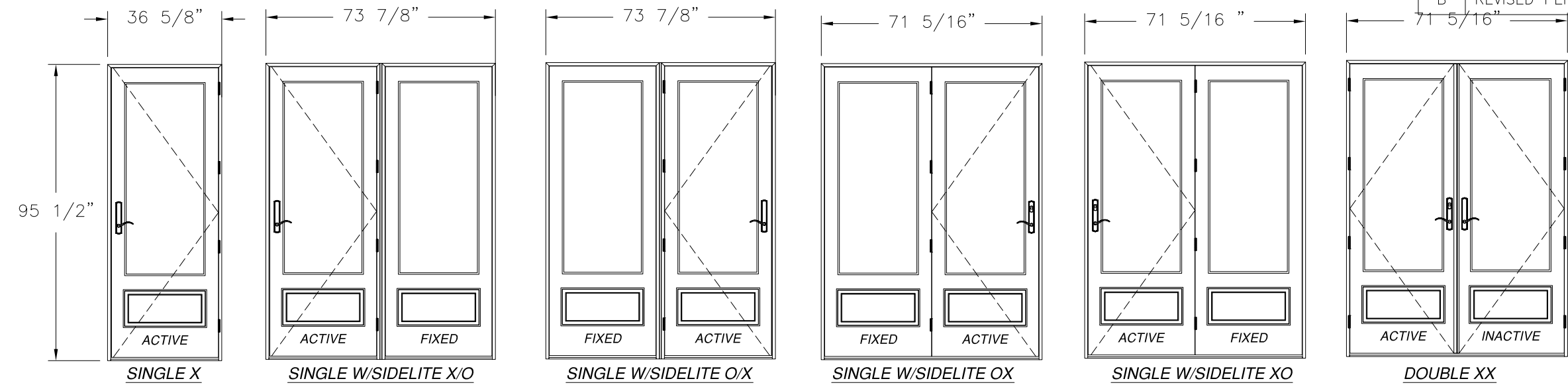


Luis R. Lomas P.E.
 TX No.: 101889
 Firm No: F-23130

HARDWARE SCHEDULE

A.	(4) STEEL 4X4 BUTT HINGE BY WENZHOU LONGTAI (PER PANEL), AT 5 3/4", 31 1/4", 56 3/4" & 82 1/4" FROM FRAME HEAD
B.	STAINLESS STEEL MULTI-POINT (3) LOCKING SYSTEM WITH KEEPERS, 8 3/8", 51 3/4" AND 90 1/8" FROM FRAME HEAD AT ACTIVE AND PASSIVE PANEL
C.	STAINLESS STEEL TOP/BOTTOM DRIVE BAR SYSTEM WITH KEEPERS AT ACTIVE PANEL
D.	DIE CAST HANDLE SETS AT ACTIVE AND PASSIVE PANELS
E.	1/8" STEEL REINFORCEMENT AT ACTIVE, PASSIVE, FIXED AND STATIONARY PANEL STILES
F.	ALUMINUM REINFORCEMENT-A AT ASTRAGAL

REVISIONS			
REV	DESCRIPTION	DATE	APPROVED
B	REVISED PER NEW CODE	12/20/2021	R.L.



SIGNED: 12/20/2021

NAN YA PLASTICS CORP. USA
 8989 NORTH LOOP EAST
 HOUSTON, TX 77029

SERIES SLPS INSWING 3/4 LITE FIBERGLASS
 PATIO DOOR NON-IMPACT
 ADDITIONAL APPROVED CONFIGURATIONS

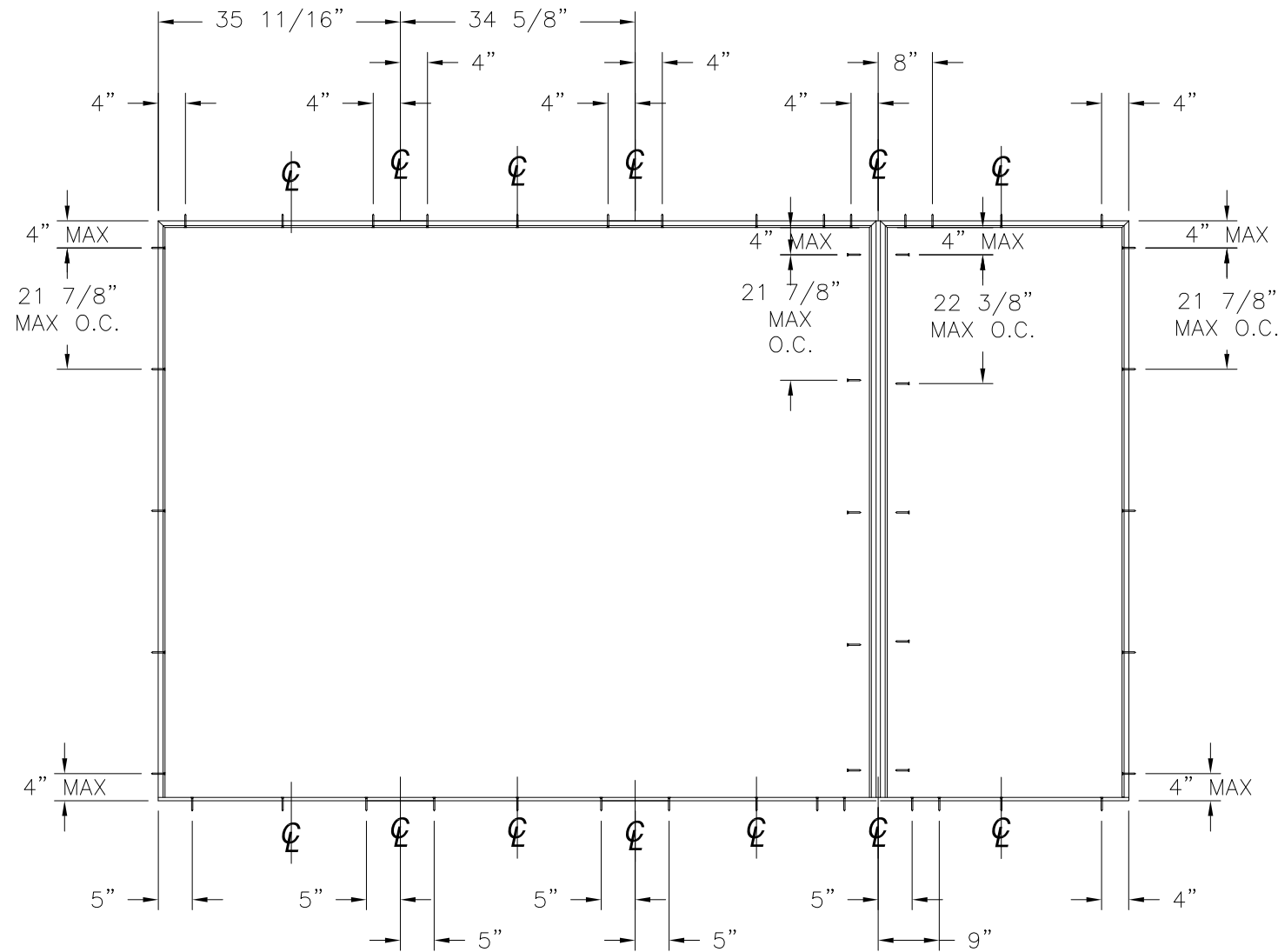
DRAWN: N.G.	DWG NO. 08-02503	REV B
SCALE NTS	DATE 10/20/14	SHEET 3 OF 14

L. ROBERTO LOMAS P.E.
 1432 WOODFORD RD LEWISVILLE, NC 27023
 434-688-0609 rllomas@rlomaspe.com

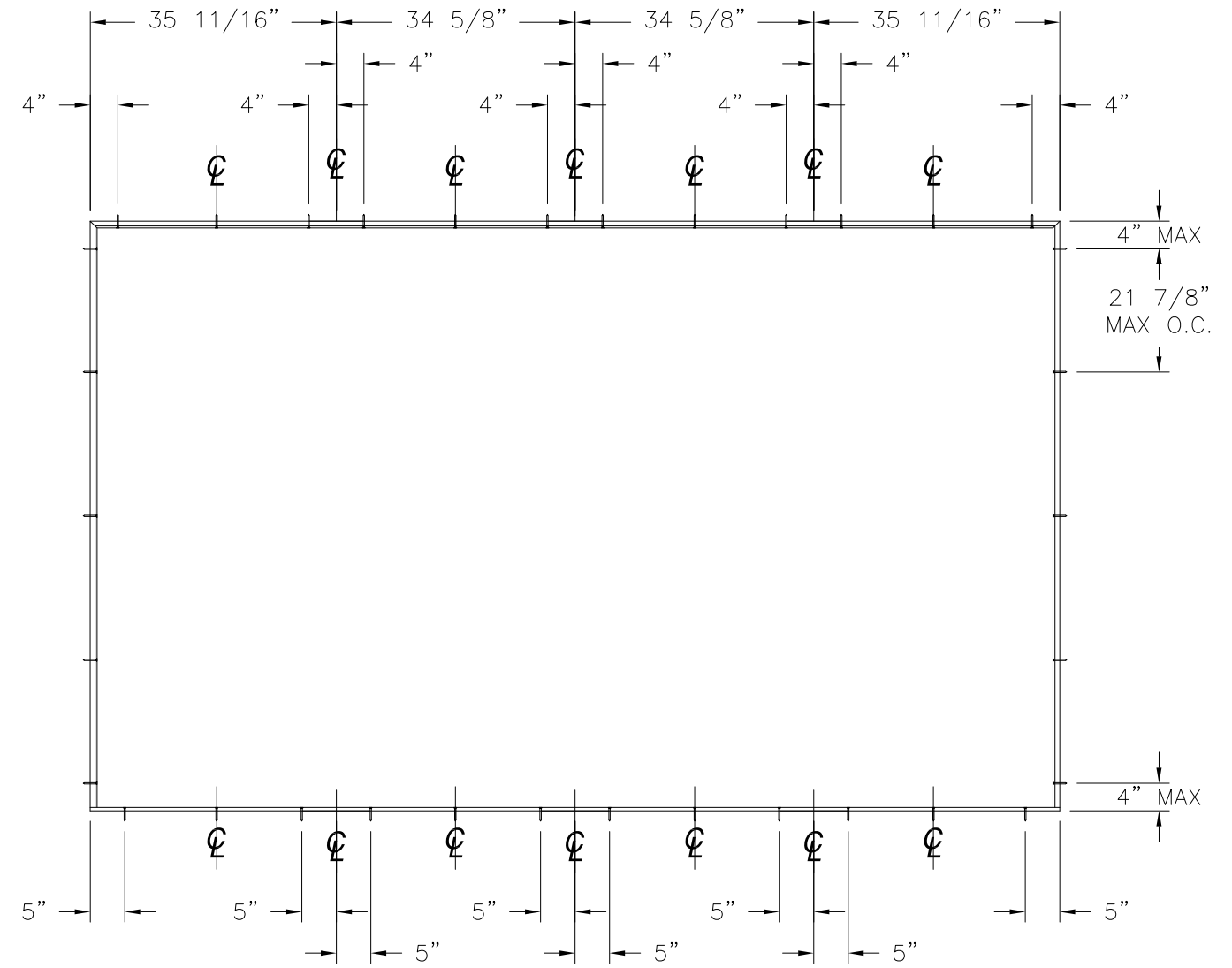


Luis R. Lomas P.E.
 TX No.: 101889
 Firm No: F-23130

REVISIONS			
REV	DESCRIPTION	DATE	APPROVED
B	REVISED PER NEW CODE	12/20/2021	R.L.



ANCHORING LAYOUT FOR O/XXO, OXX/O



ANCHORING LAYOUT FOR OXXO

SIGNED: 12/20/2021

NAN YA PLASTICS CORP. USA
 8989 NORTH LOOP EAST
 HOUSTON, TX 77029

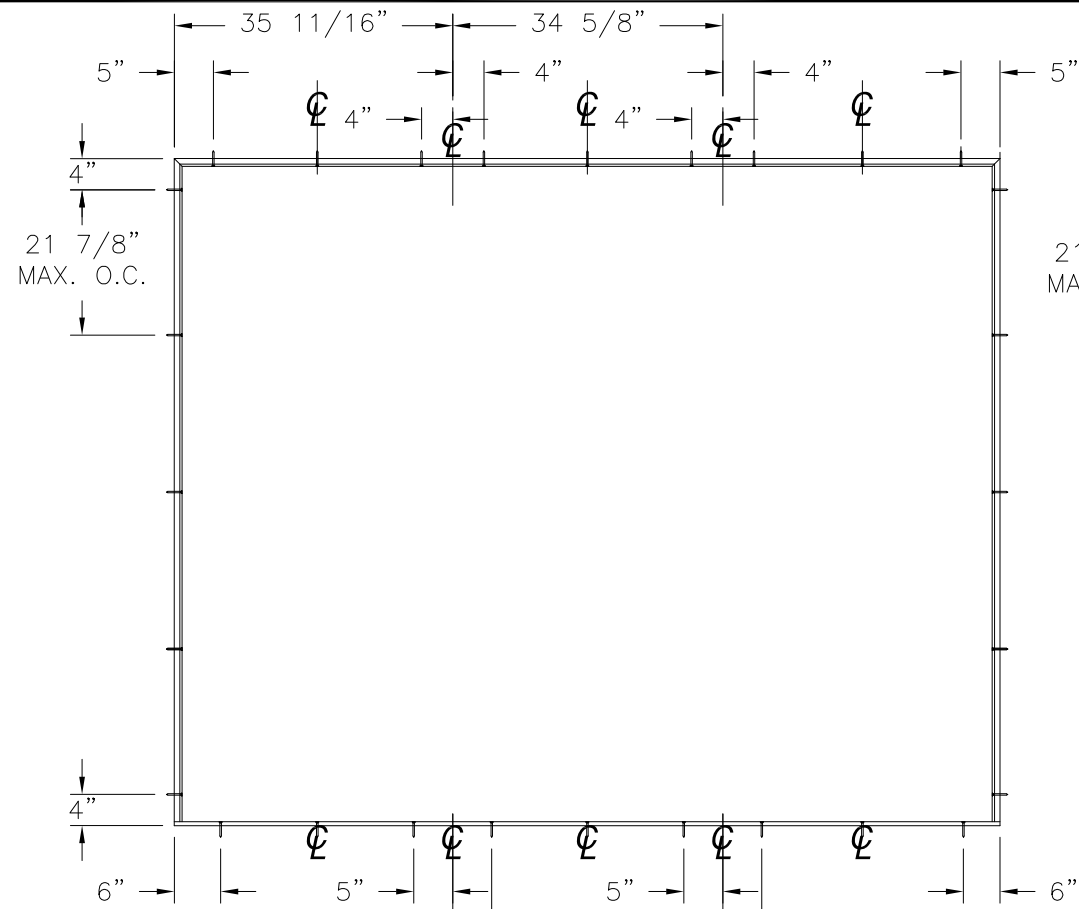
SERIES SLPS INSWING 3/4 LITE FIBERGLASS
 PATIO DOOR NON-IMPACT
 ANCHORING LAYOUTS

DRAWN: N.G.	DWG NO. 08-02503	REV B
SCALE NTS	DATE 10/20/14	SHEET 4 OF 14

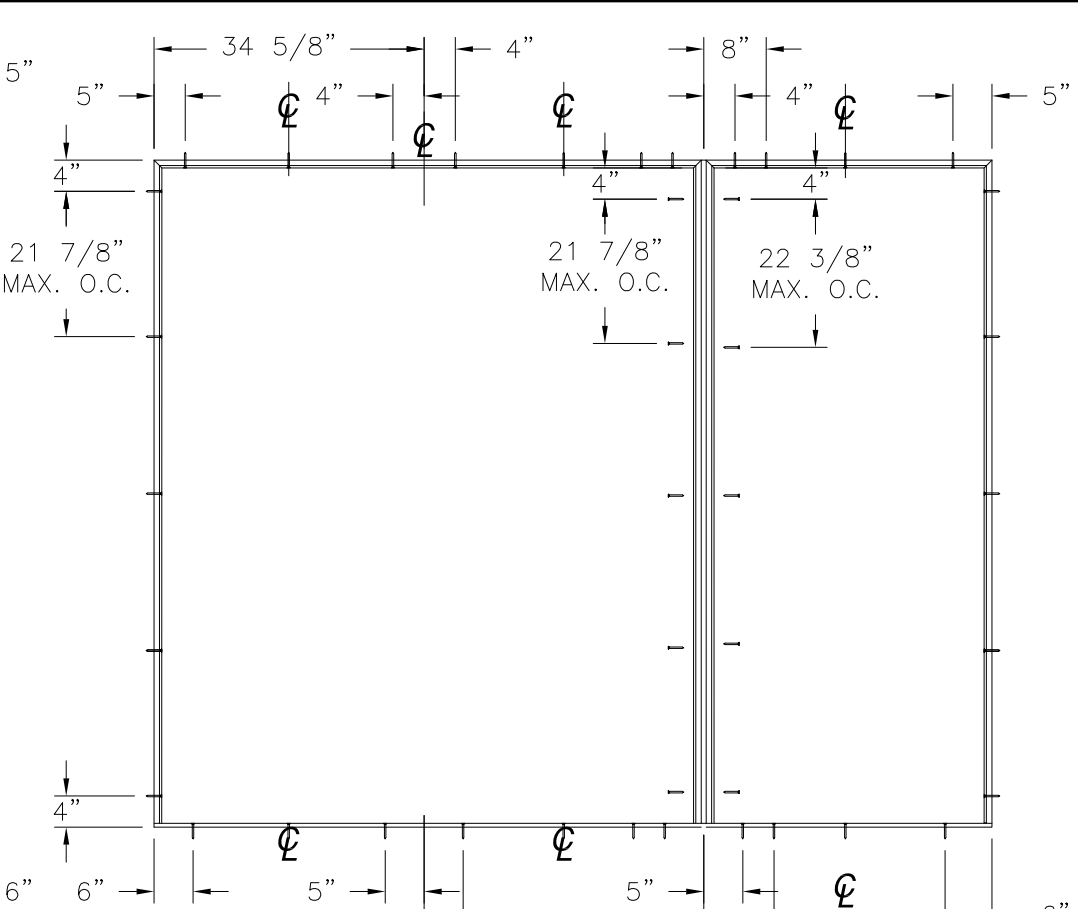
L. ROBERTO LOMAS P.E.
 1432 WOODFORD RD LEWISVILLE, NC 27023
 434-688-0609 rllomas@lrlomaspe.com



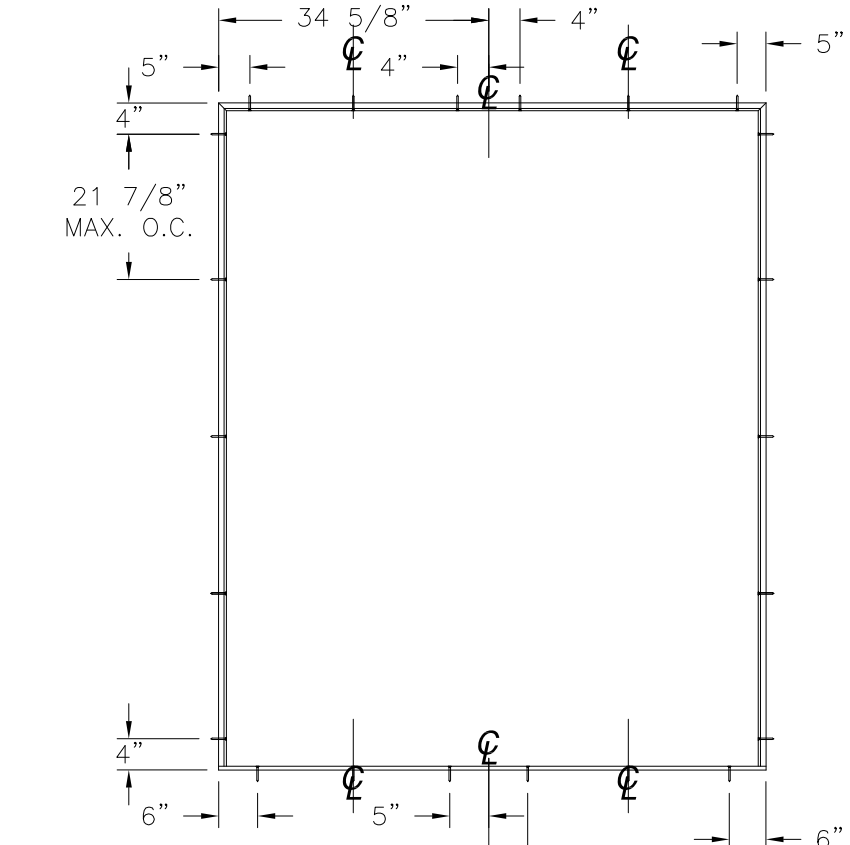
Luis R. Lomas P.E.
 TX No.: 101889
 Firm No: F-23130



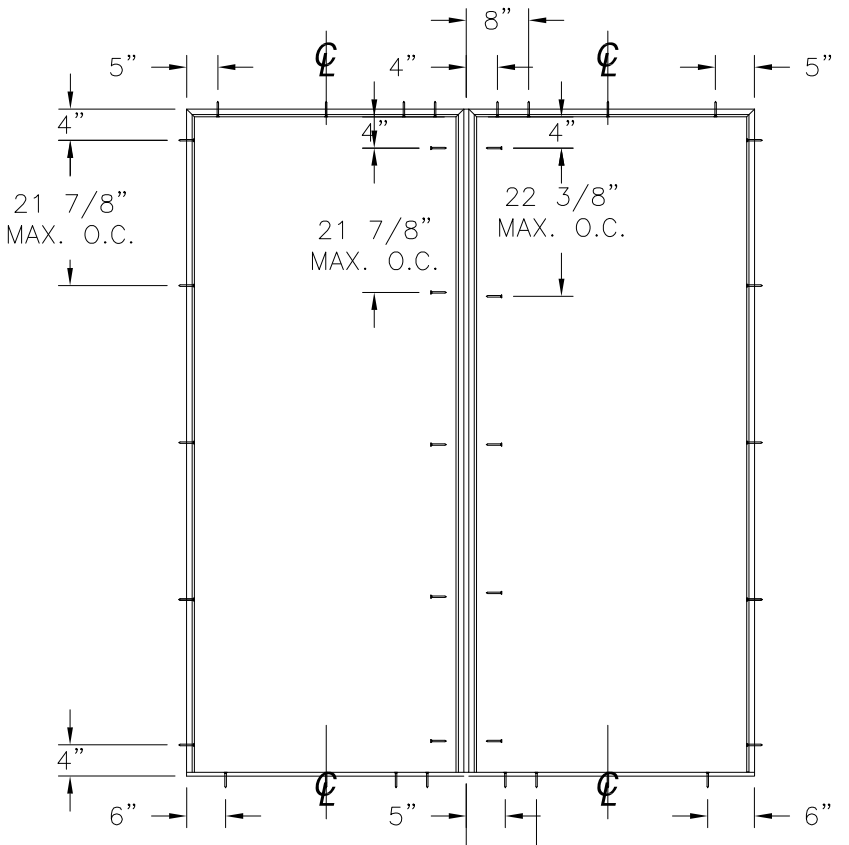
ANCHORING LAYOUT FOR OXO, XXO AND OXX



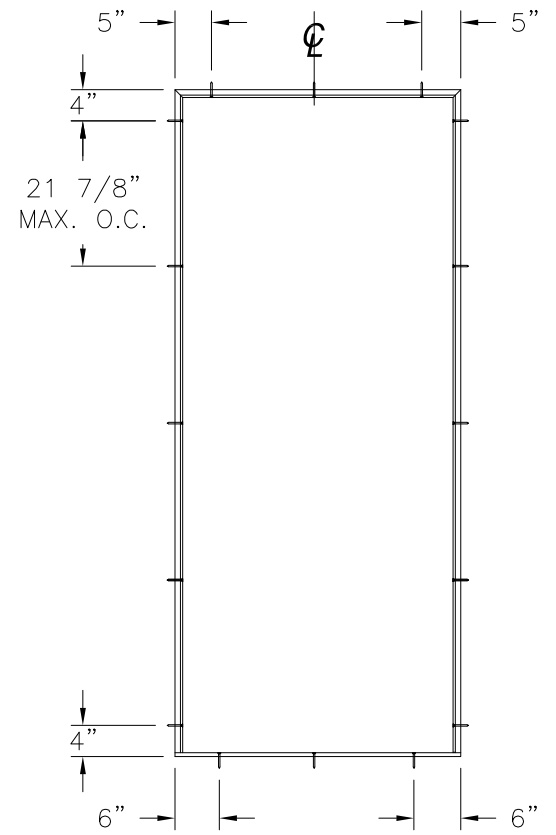
ANCHORING LAYOUT FOR OX/O, O/XO, XX/O AND O/XX



ANCHORING LAYOUT FOR XX, OX AND XO



ANCHORING LAYOUT FOR O/X AND X/O



ANCHORING LAYOUT FOR X

REVISIONS			
REV	DESCRIPTION	DATE	APPROVED
B	REVISED PER NEW CODE	12/20/2021	R.L.

NAN YA PLASTICS CORP. USA
 8989 NORTH LOOP EAST
 HOUSTON, TX 77029

**SERIES SLPS INSWING 3/4 LITE FIBERGLASS
 PATIO DOOR NON-IMPACT
 ANCHORING LAYOUTS**

DRAWN: N.G.	DWG NO. 08-02503	REV B
SCALE NTS	DATE 10/20/14	SHEET 5 OF 14

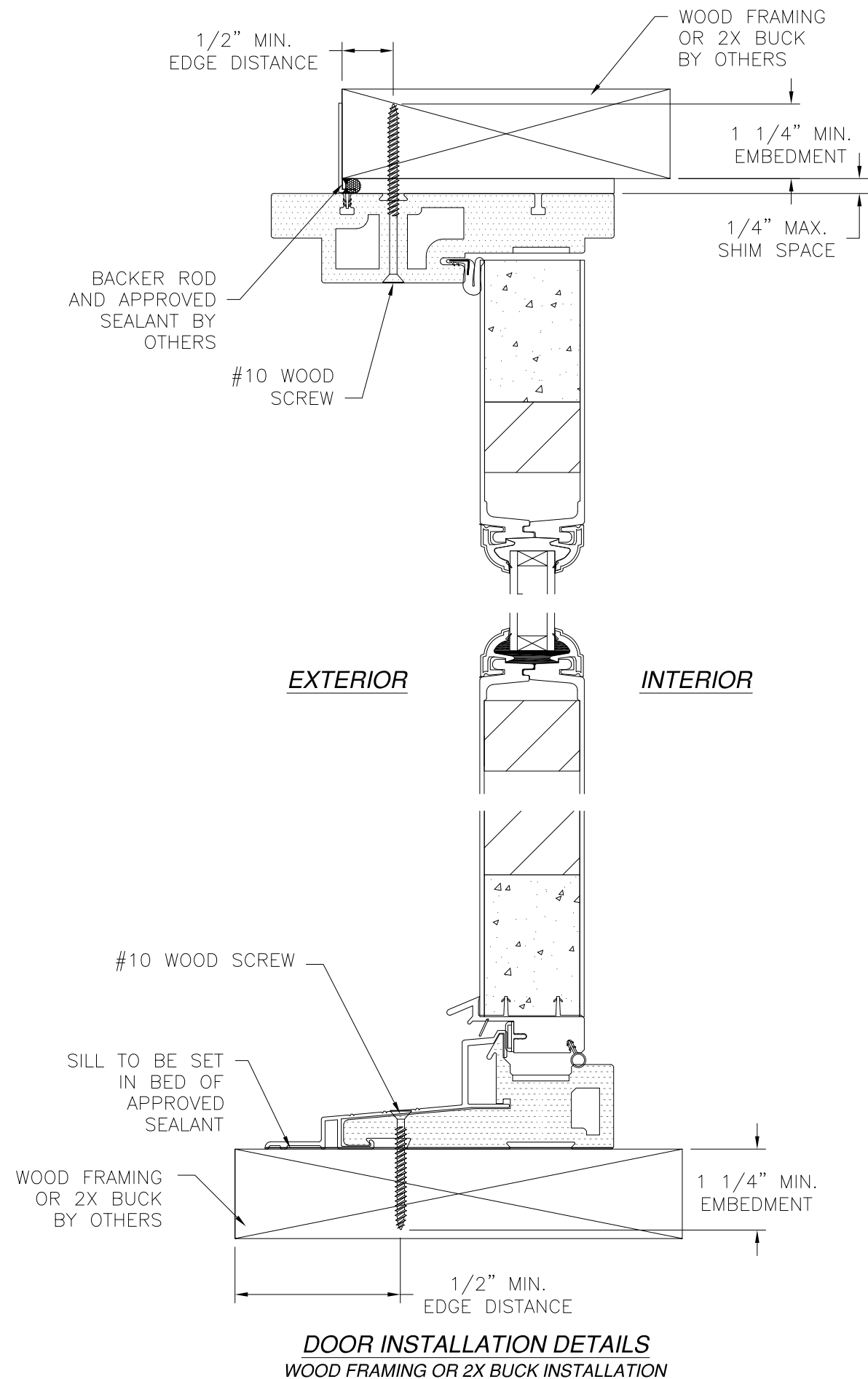
L. ROBERTO LOMAS P.E.
 1432 WOODFORD RD LEWISVILLE, NC 27023
 434-688-0609 rllomas@rlomaspe.com

SIGNED: 12/20/2021

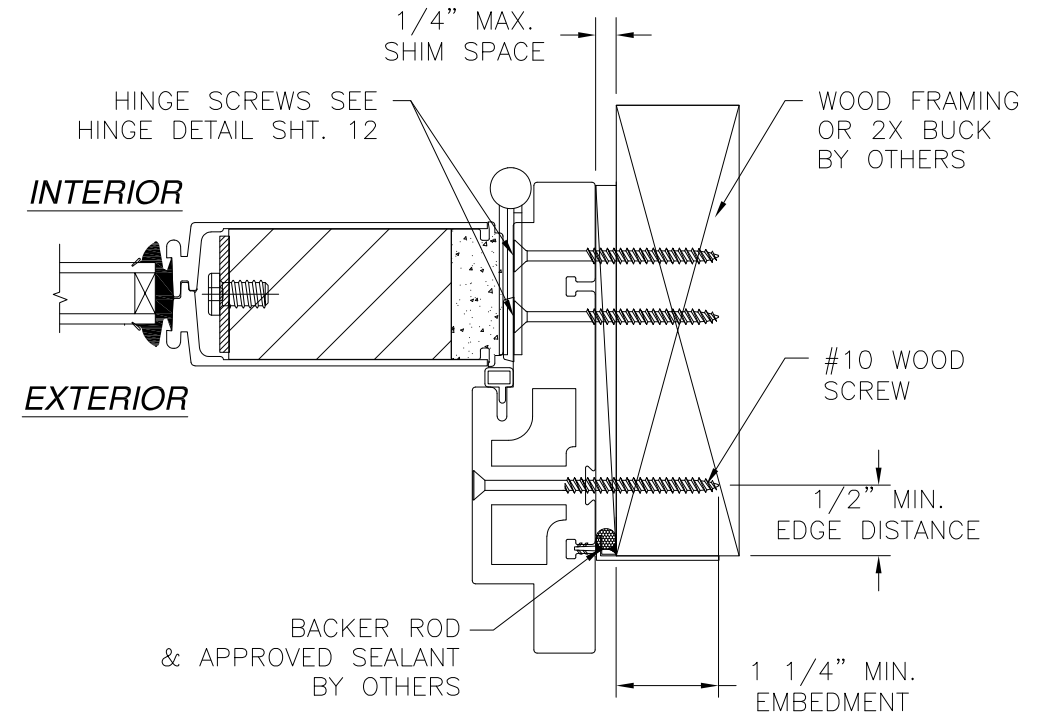


Luis R. Lomas P.E.
 TX No.: 101889
 Firm No: F-23130

REVISIONS			
REV	DESCRIPTION	DATE	APPROVED
B	REVISED PER NEW CODE	12/20/2021	R.L.



DOOR INSTALLATION DETAILS
WOOD FRAMING OR 2X BUCK INSTALLATION



DOOR INSTALLATION DETAILS
WOOD FRAMING OR 2X BUCK INSTALLATION

NOTES:

1. INTERIOR AND EXTERIOR FINISHES, BY OTHERS, NOT SHOWN FOR CLARITY.
2. PERIMETER AND JOINT SEALANT BY OTHERS TO BE DESIGNED IN ACCORDANCE WITH ASTM E2112

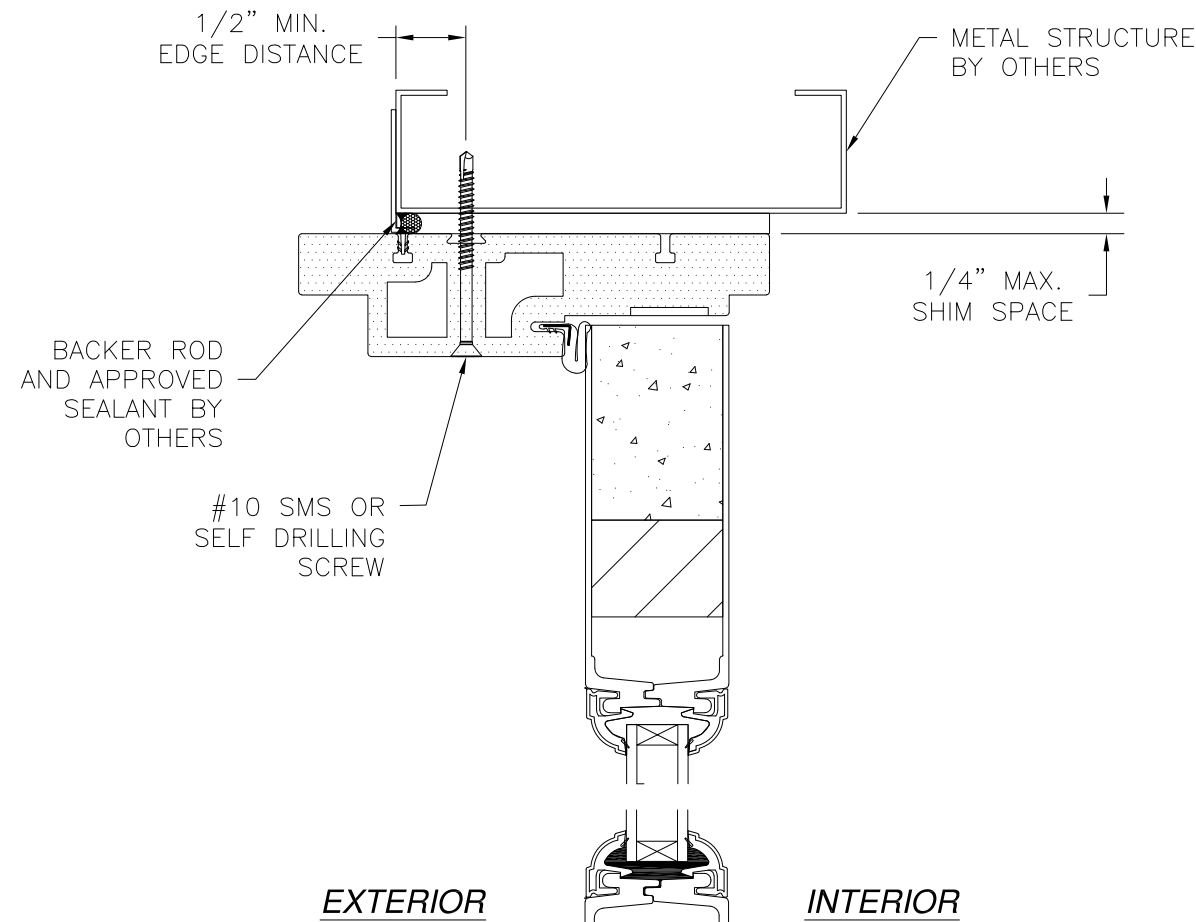
SIGNED: 12/20/2021

<p>NAN YA PLASTICS CORP. USA 8989 NORTH LOOP EAST HOUSTON, TX 77029</p>		
<p>SERIES SLPS INSWING 3/4 LITE FIBERGLASS PATIO DOOR NON-IMPACT DOOR INSTALLATION DETAILS</p>		
DRAWN: N.G.	DWG NO. 08-02503	REV B
SCALE NTS	DATE 10/20/14	SHEET 6 OF 14
<p>L. ROBERTO LOMAS P.E. 1432 WOODFORD RD LEWISVILLE, NC 27023 434-688-0609 rllomas@rlomaspe.com</p>		



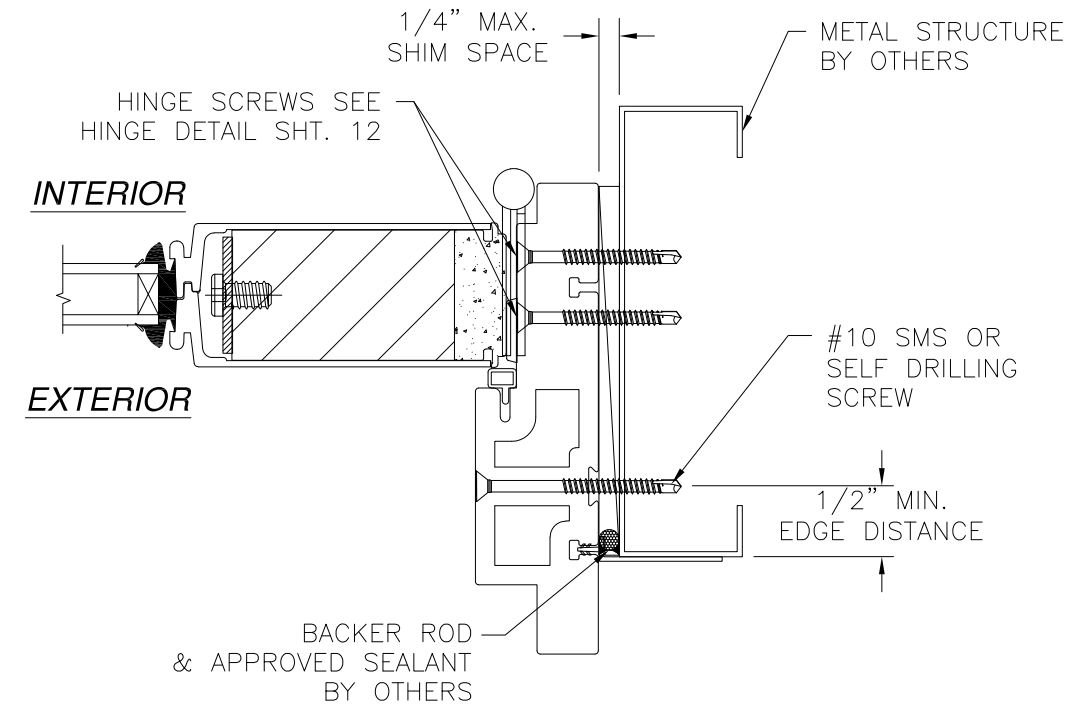
Luis R. Lomas P.E.
TX No.: 101889
Firm No: F-23130

REVISIONS			
REV	DESCRIPTION	DATE	APPROVED
B	REVISED PER NEW CODE	12/20/2021	R.L.



EXTERIOR

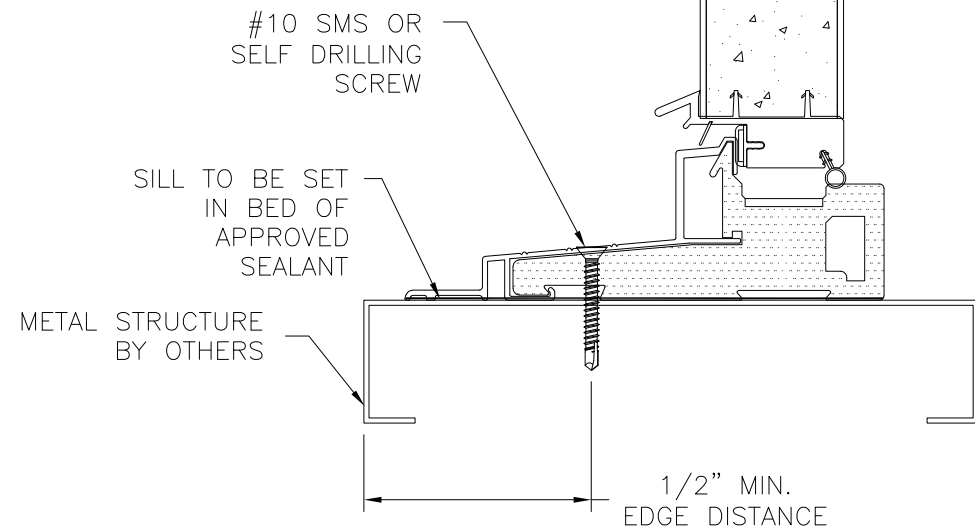
INTERIOR



INTERIOR

EXTERIOR

DOOR INSTALLATION DETAILS
METAL STRUCTURE INSTALLATION



DOOR INSTALLATION DETAILS
METAL STRUCTURE INSTALLATION

NOTES:

1. INTERIOR AND EXTERIOR FINISHES, BY OTHERS, NOT SHOWN FOR CLARITY.
2. PERIMETER AND JOINT SEALANT BY OTHERS TO BE DESIGNED IN ACCORDANCE WITH ASTM E2112

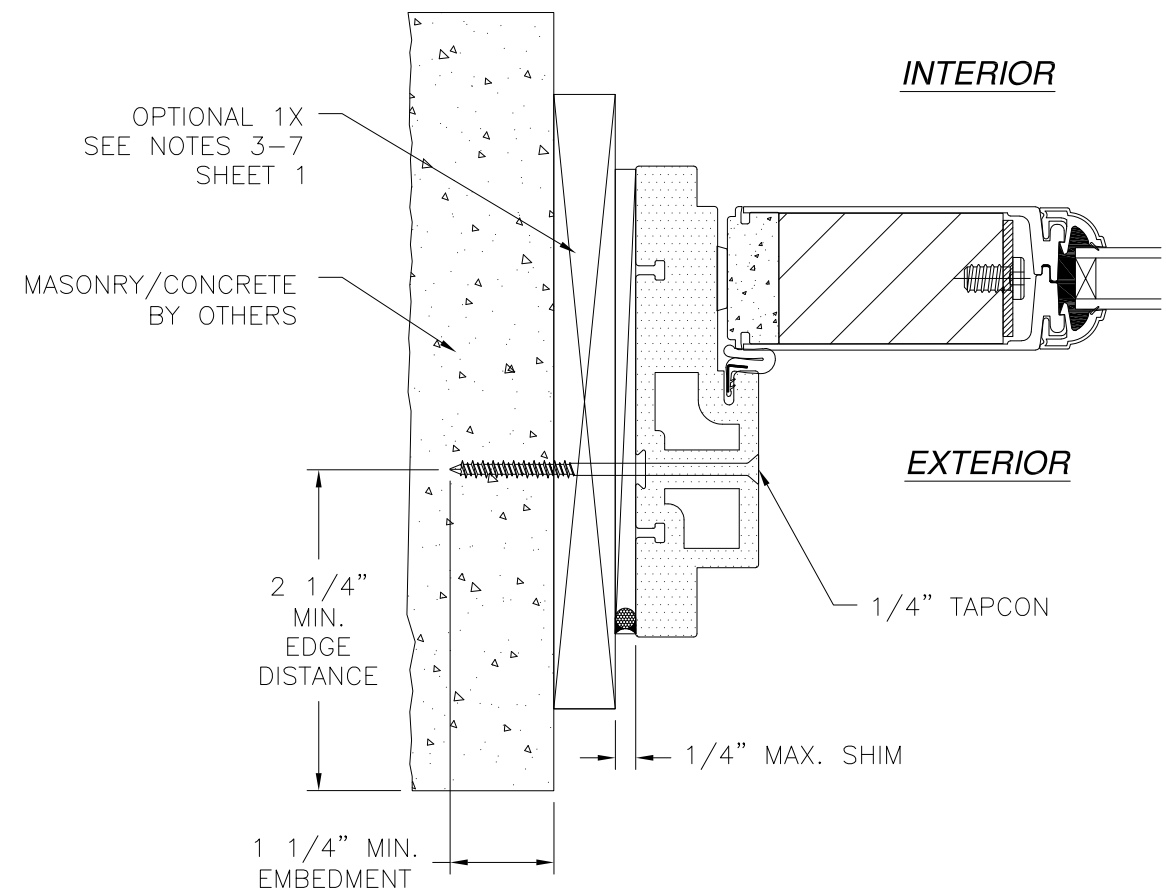
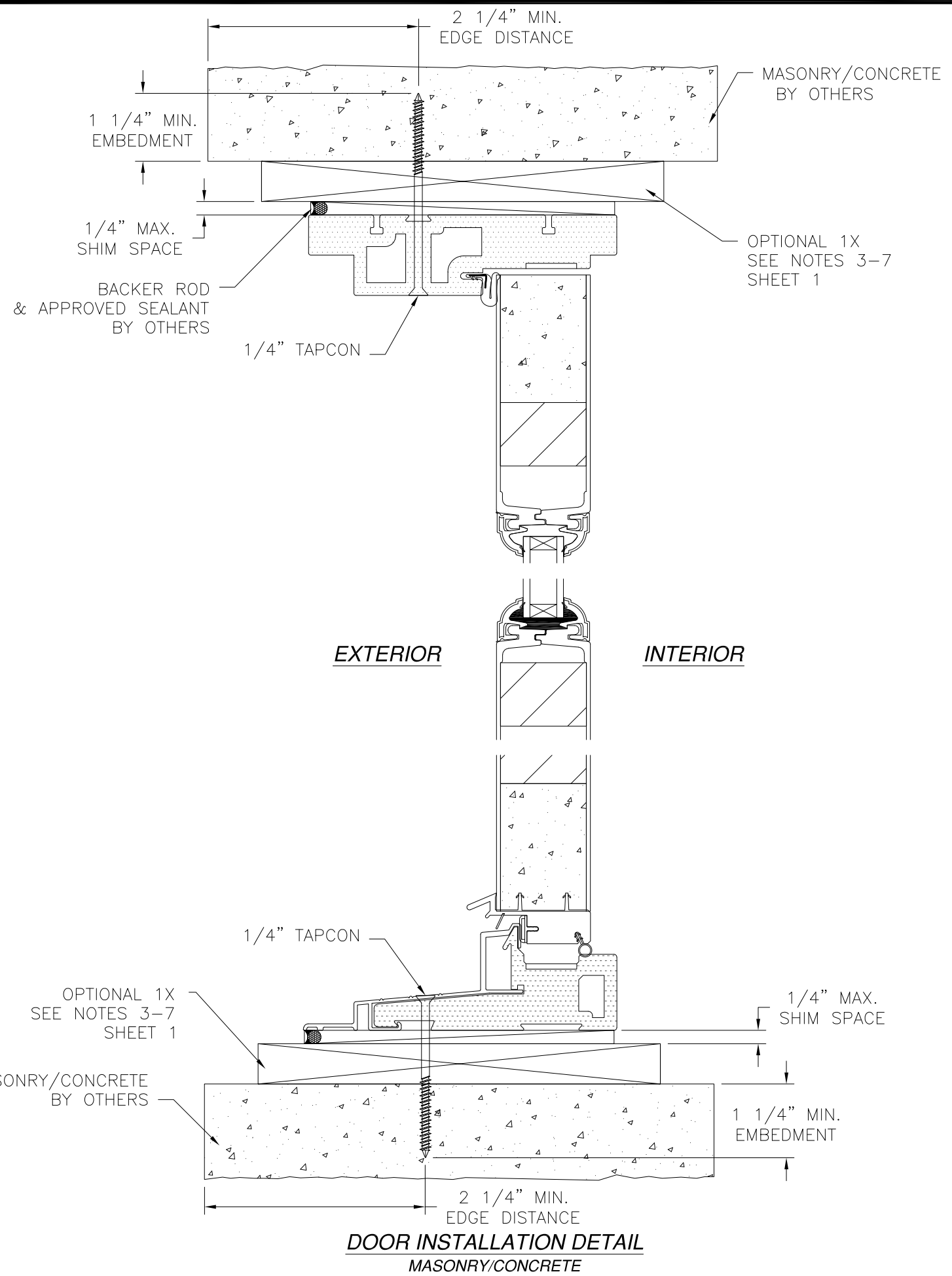
SIGNED: 12/20/2021

<p>NAN YA PLASTICS CORP. USA 8989 NORTH LOOP EAST HOUSTON, TX 77029</p>		
<p>SERIES SLPS INSWING 3/4 LITE FIBERGLASS PATIO DOOR NON-IMPACT DOOR INSTALLATION DETAILS</p>		
<p>DRAWN: N.G.</p>	<p>DWG NO. 08-02503</p>	<p>REV B</p>
<p>SCALE NTS</p>	<p>DATE 10/20/14</p>	<p>SHEET 7 OF 14</p>
<p>L. ROBERTO LOMAS P.E. 1432 WOODFORD RD LEWISVILLE, NC 27023 434-688-0609 rllomas@rlomaspe.com</p>		



Luis R. Lomas P.E.
TX No.: 101889
Firm No: F-23130

REVISIONS			
REV	DESCRIPTION	DATE	APPROVED
B	REVISED PER NEW CODE	12/20/2021	R.L.



NOTES:

1. INTERIOR AND EXTERIOR FINISHES, BY OTHERS, NOT SHOWN FOR CLARITY.
2. PERIMETER AND JOINT SEALANT BY OTHERS TO BE DESIGNED IN ACCORDANCE WITH ASTM E2112

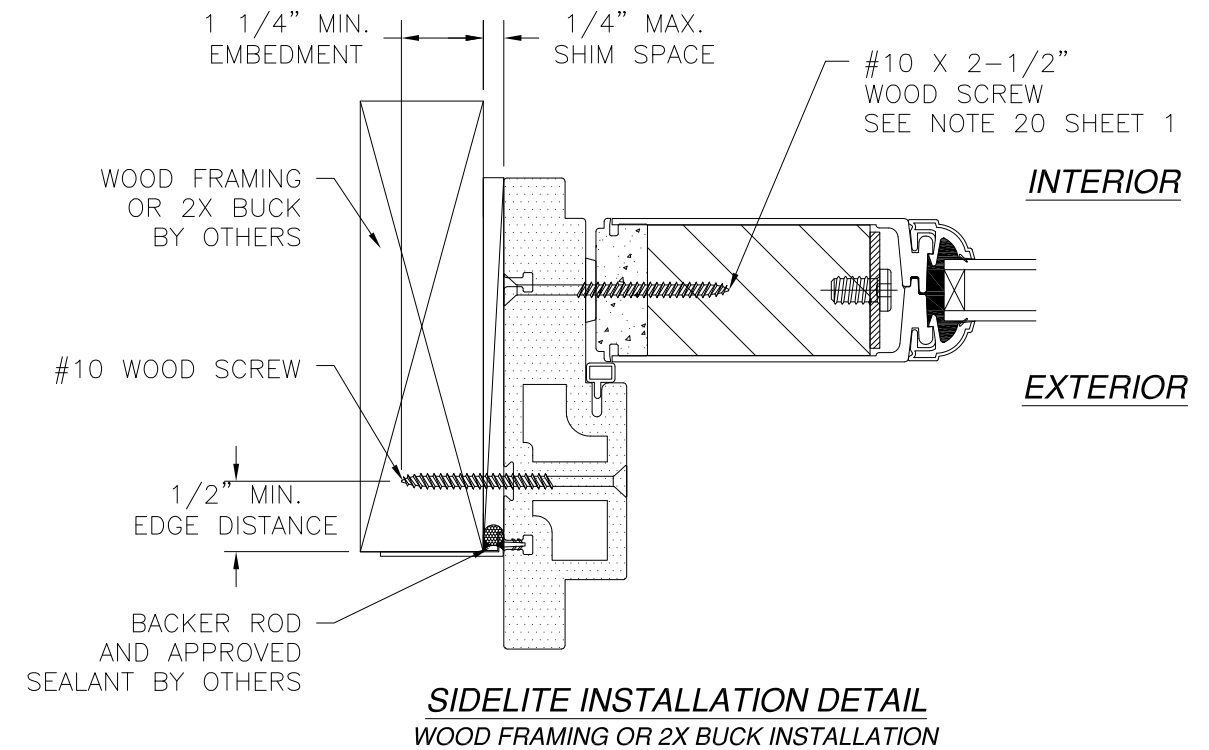
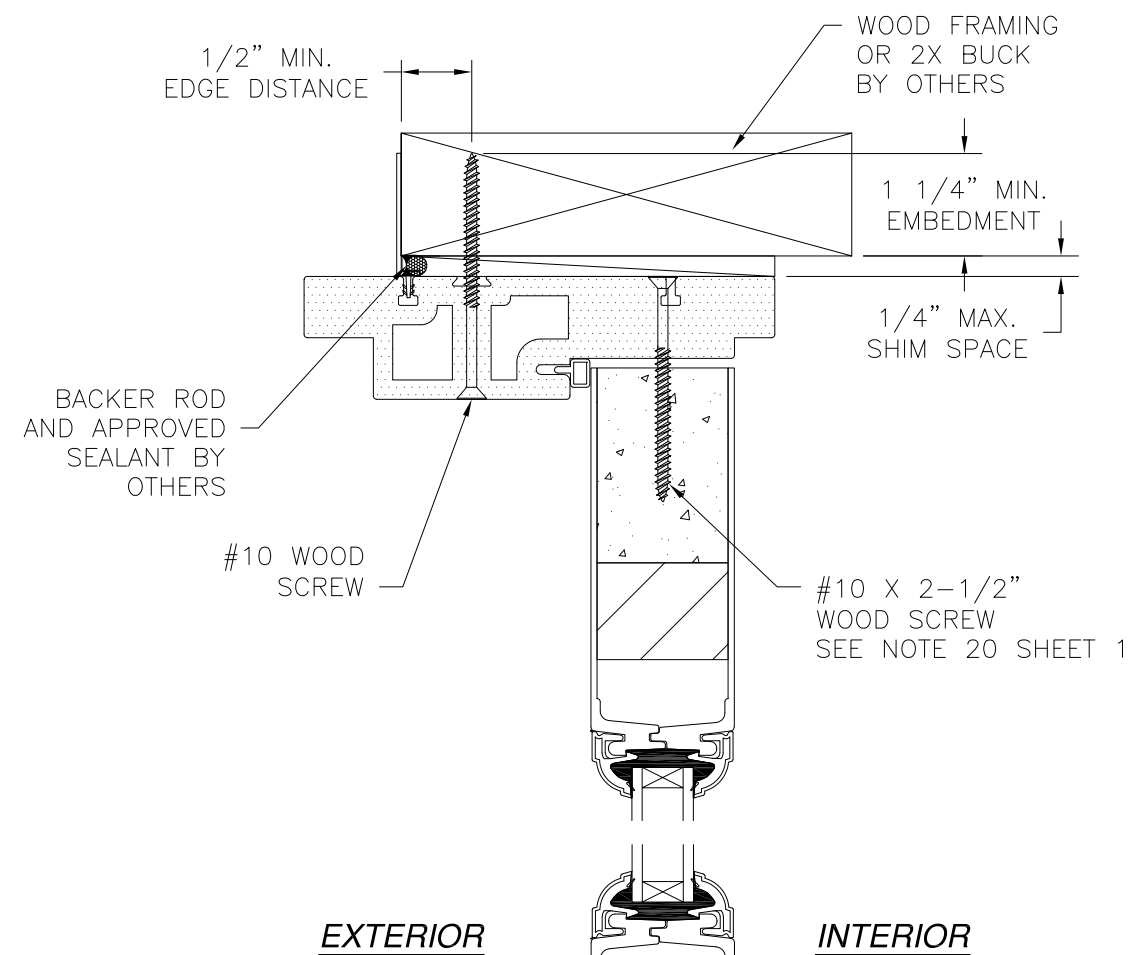
SIGNED: 12/20/2021

<p>NAN YA PLASTICS CORP. USA 8989 NORTH LOOP EAST HOUSTON, TX 77029</p>		
<p>SERIES SLPS INSWING 3/4 LITE FIBERGLASS PATIO DOOR NON-IMPACT DOOR INSTALLATION DETAILS</p>		
<p>DRAWN: N.G.</p>	<p>DWG NO. 08-02503</p>	<p>REV B</p>
<p>SCALE NTS</p>	<p>DATE 10/20/14</p>	<p>SHEET 8 OF 14</p>
<p>L. ROBERTO LOMAS P.E. 1432 WOODFORD RD LEWISVILLE, NC 27023 434-688-0609 rllomas@rlomaspe.com</p>		



Luis R. Lomas P.E.
TX No.: 101889
Firm No: F-23130

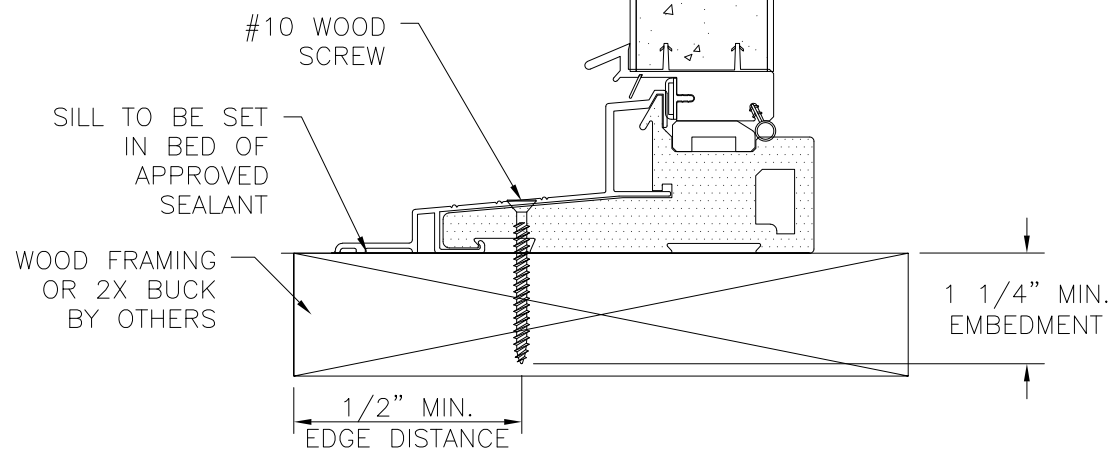
REVISIONS			
REV	DESCRIPTION	DATE	APPROVED
B	REVISED PER NEW CODE	12/20/2021	R.L.



NOTES:

1. INTERIOR AND EXTERIOR FINISHES, BY OTHERS, NOT SHOWN FOR CLARITY.
2. PERIMETER AND JOINT SEALANT BY OTHERS TO BE DESIGNED IN ACCORDANCE WITH ASTM E2112

SIGNED: 12/20/2021



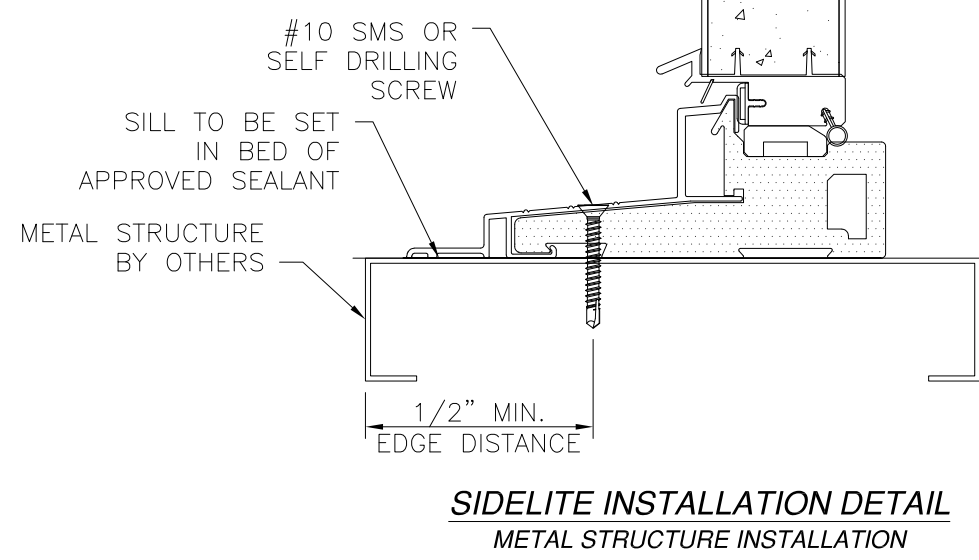
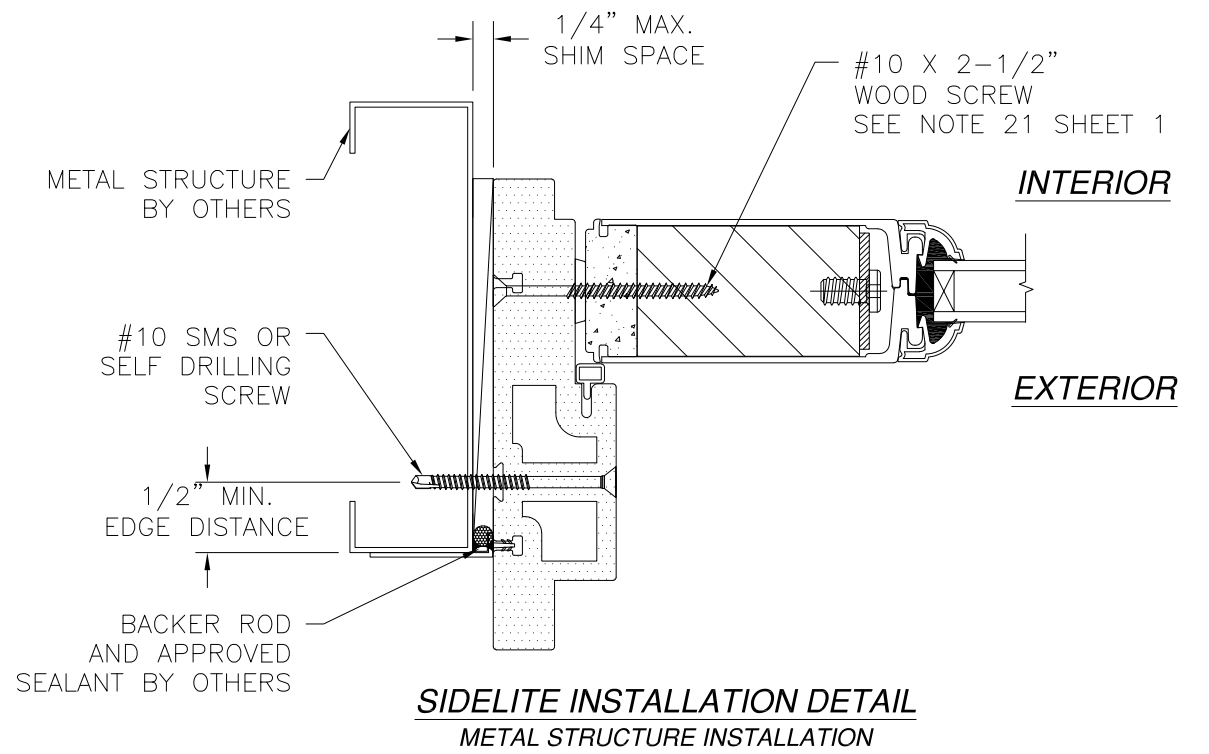
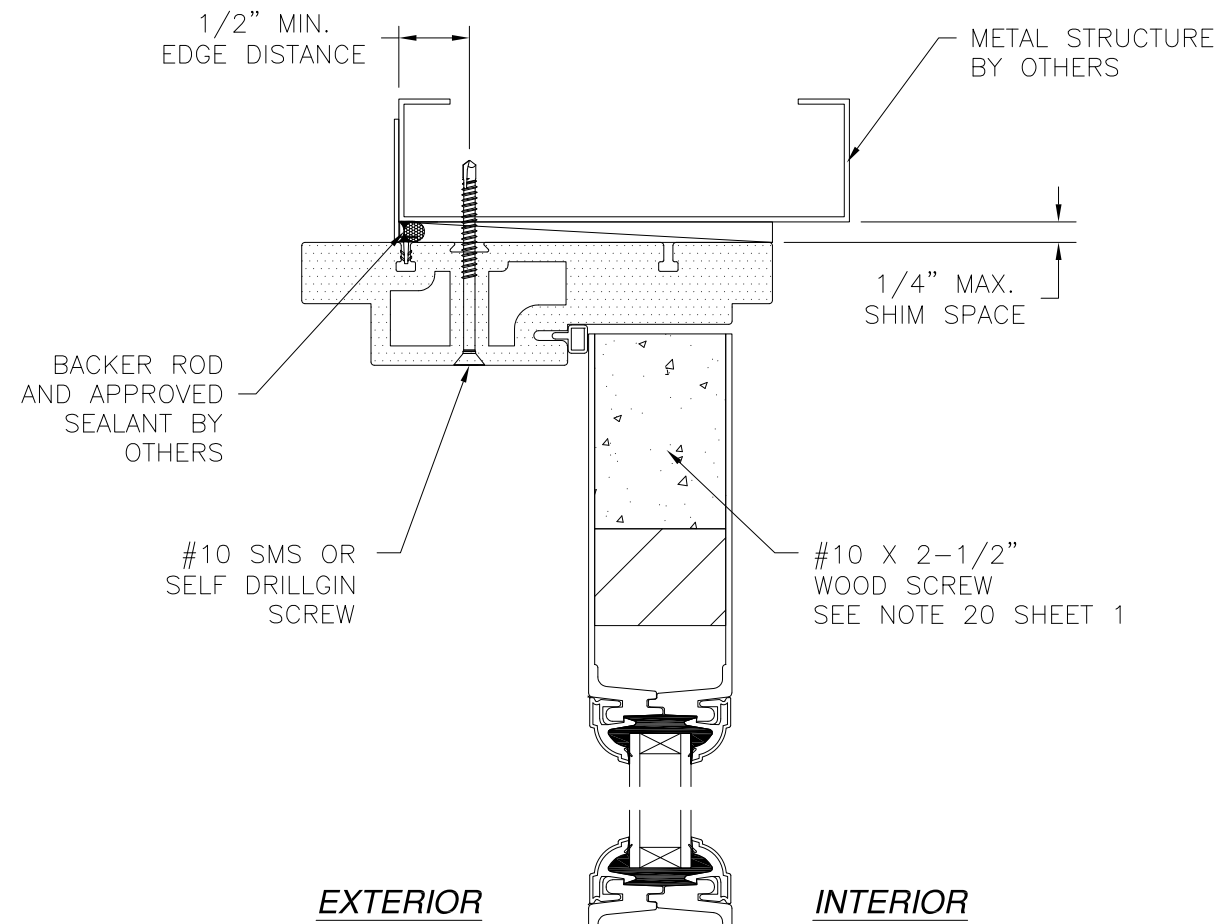
SIDELITE INSTALLATION DETAIL
WOOD FRAMING OR 2X BUCK INSTALLATION

<p>NAN YA PLASTICS CORP. USA 8989 NORTH LOOP EAST HOUSTON, TX 77029</p>		
<p>SERIES SLPS INSWING 3/4 LITE FIBERGLASS PATIO DOOR NON-IMPACT SIDELITE INSTALLATION DETAILS</p>		
<p>DRAWN: N.G.</p>	<p>DWG NO. 08-02503</p>	<p>REV B</p>
<p>SCALE NTS</p>	<p>DATE 10/20/14</p>	<p>SHEET 9 OF 14</p>
<p>L. ROBERTO LOMAS P.E. 1432 WOODFORD RD LEWISVILLE, NC 27023 434-688-0609 rllomas@rlomaspe.com</p>		



Luis R. Lomas P.E.
TX No.: 101889
Firm No: F-23130

REVISIONS			
REV	DESCRIPTION	DATE	APPROVED
B	REVISED PER NEW CODE	12/20/2021	R.L.



- NOTES:**
1. INTERIOR AND EXTERIOR FINISHES, BY OTHERS, NOT SHOWN FOR CLARITY.
 2. PERIMETER AND JOINT SEALANT BY OTHERS TO BE DESIGNED IN ACCORDANCE WITH ASTM E2112

SIGNED: 12/20/2021

NAN YA PLASTICS CORP. USA
 8989 NORTH LOOP EAST
 HOUSTON, TX 77029

SERIES SLPS INSWING 3/4 LITE FIBERGLASS
 PATIO DOOR NON-IMPACT
 SIDELITE INSTALLATION DETAILS

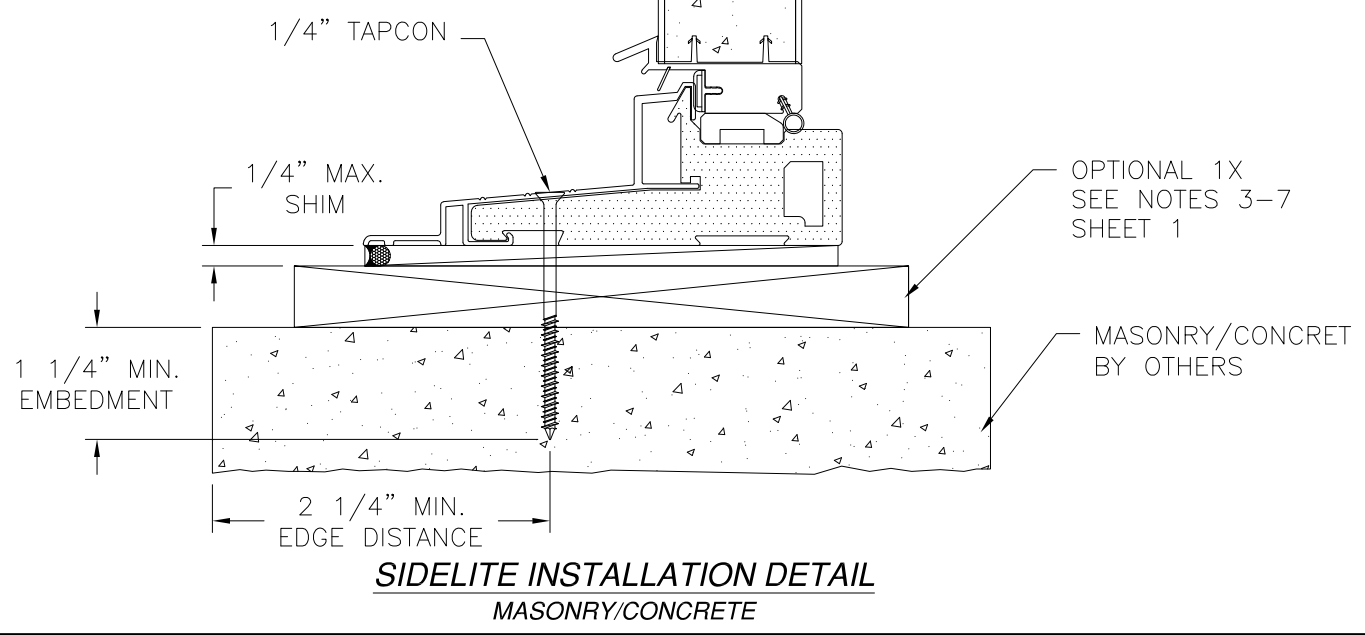
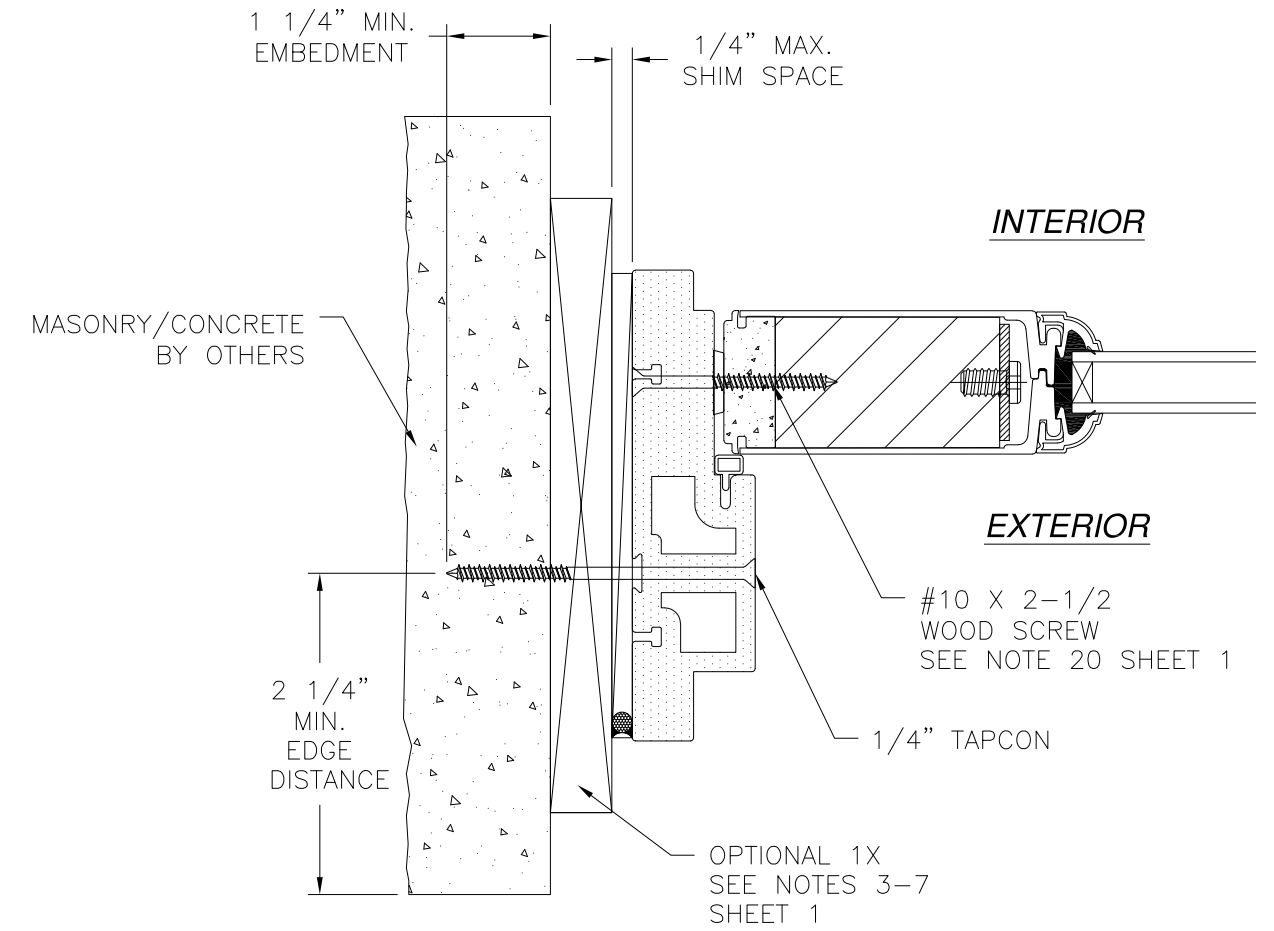
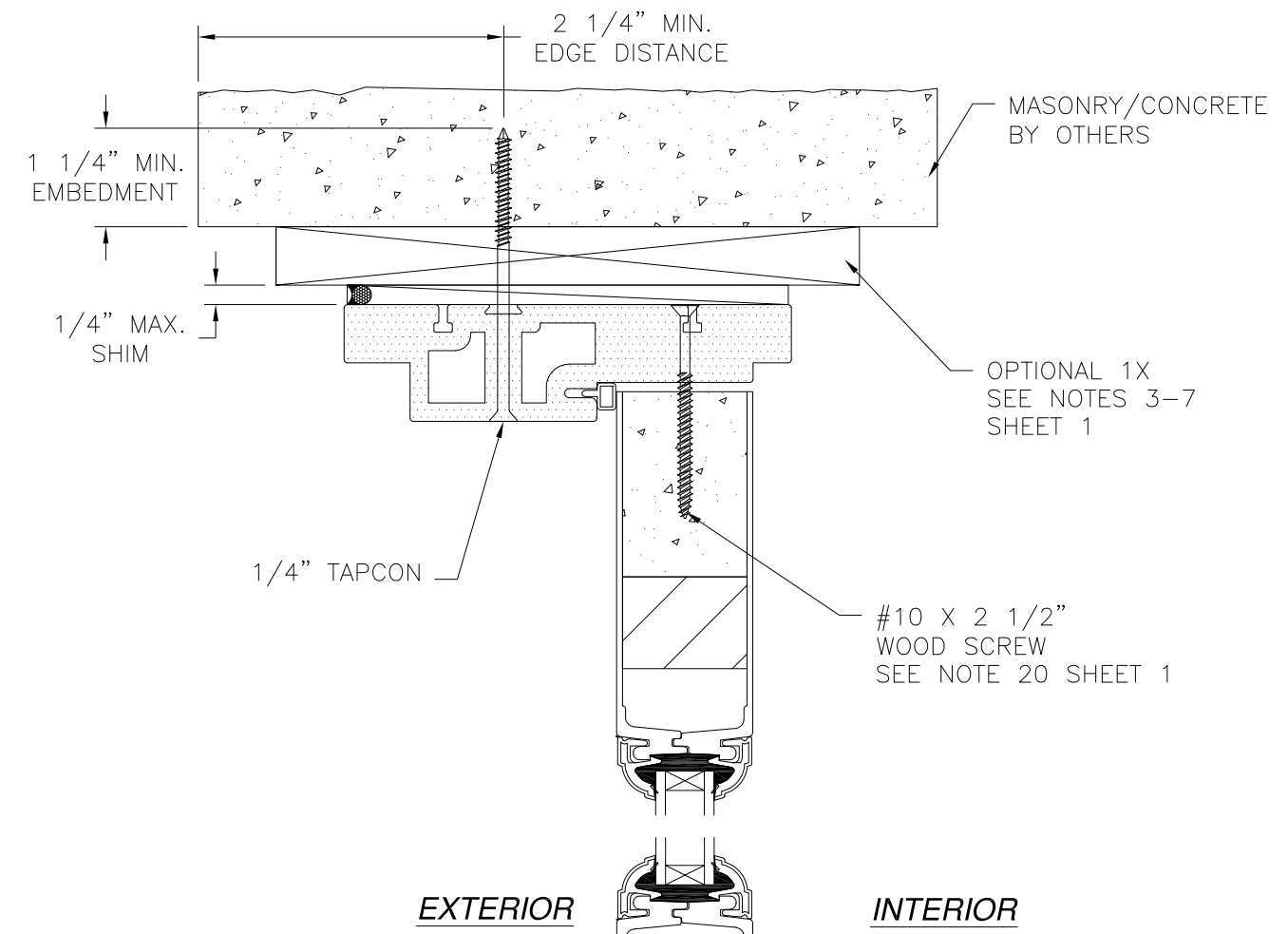
DRAWN: N.G.	DWG NO. 08-02503	REV B
SCALE NTS	DATE 10/20/14	SHEET 10 OF 14

L. ROBERTO LOMAS P.E.
 1432 WOODFORD RD LEWISVILLE, NC 27023
 434-688-0609 rllomas@rlomaspe.com



Luis R. Lomas P.E.
 TX No.: 101889
 Firm No: F-23130

REVISIONS			
REV	DESCRIPTION	DATE	APPROVED
B	REVISED PER NEW CODE	12/20/2021	R.L.



SIDELITE INSTALLATION DETAIL
MASONRY/CONCRETE

- NOTES:**
1. INTERIOR AND EXTERIOR FINISHES, BY OTHERS, NOT SHOWN FOR CLARITY.
 2. PERIMETER AND JOINT SEALANT BY OTHERS TO BE DESIGNED IN ACCORDANCE WITH ASTM E2112

SIGNED: 12/20/2021

NAN YA PLASTICS CORP. USA
8989 NORTH LOOP EAST
HOUSTON, TX 77029

SERIES SLPS INSWING 3/4 LITE FIBERGLASS
PATIO DOOR NON-IMPACT
SIDELITE INSTALLATION DETAILS

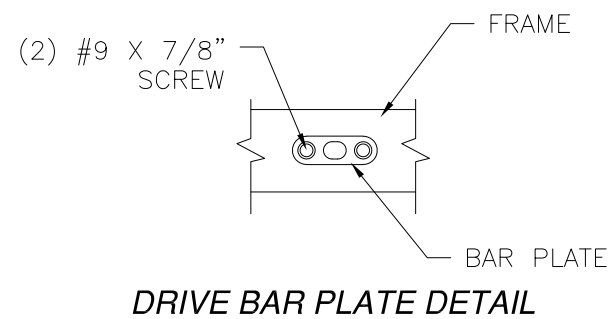
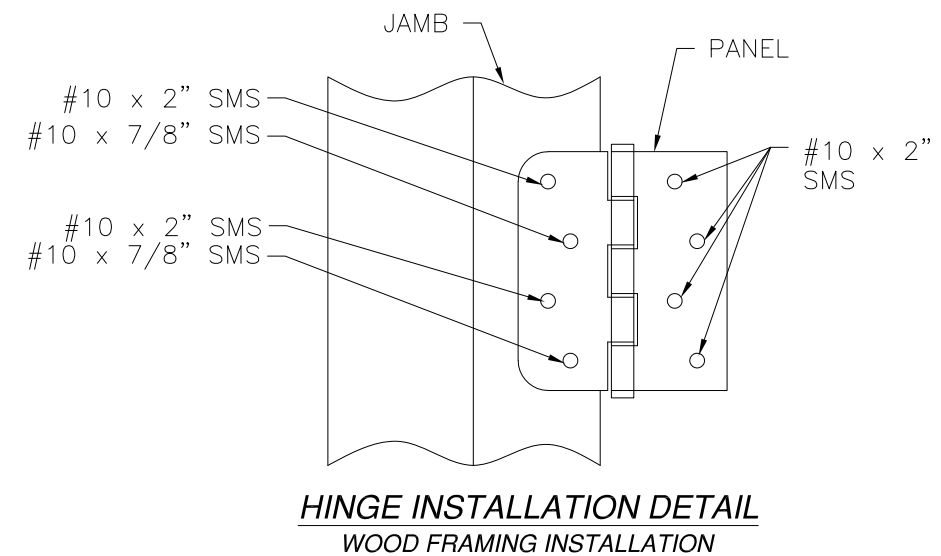
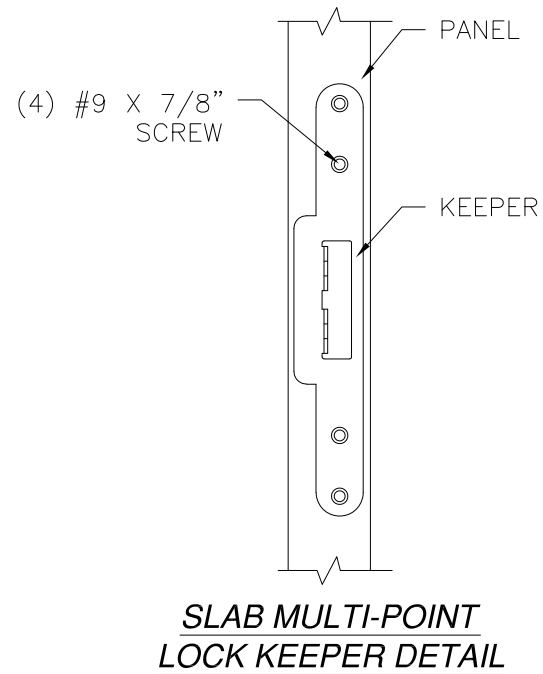
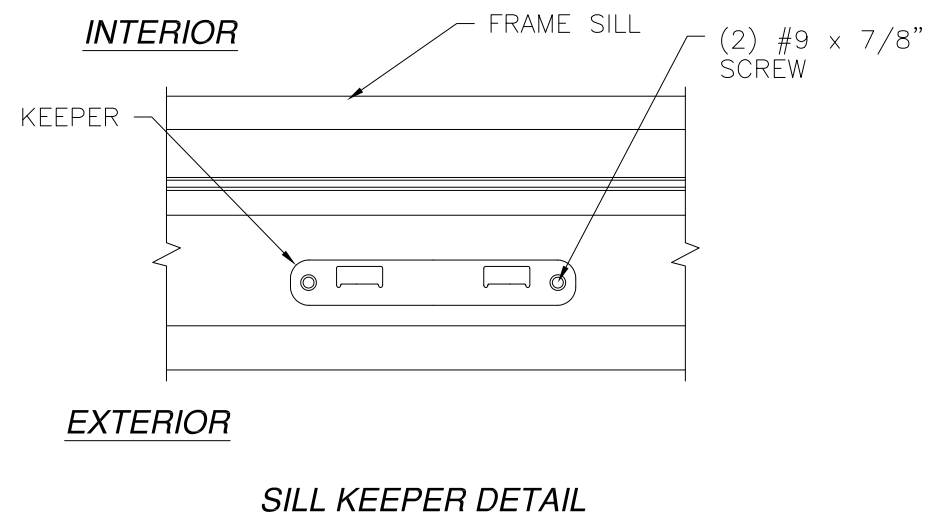
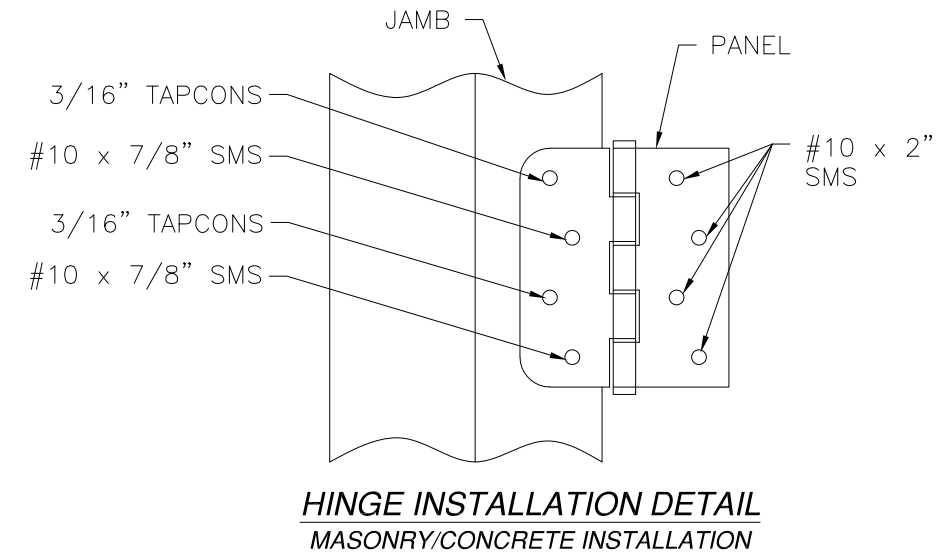
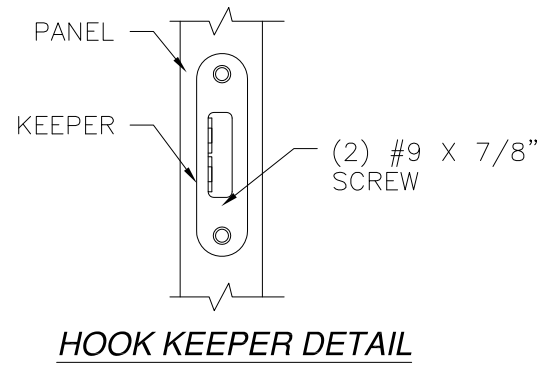
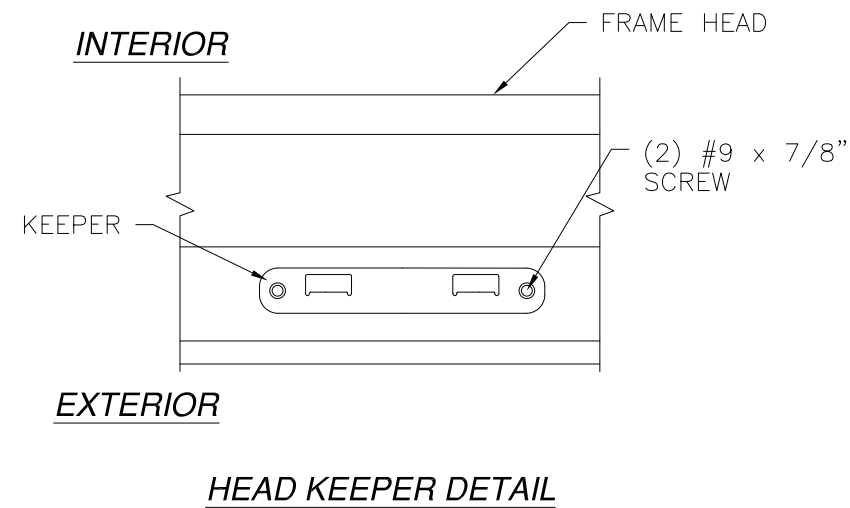
DRAWN: N.G.	DWG NO. 08-02503	REV B
SCALE NTS	DATE 10/20/14	SHEET 11 OF 14

L. ROBERTO LOMAS P.E.
1432 WOODFORD RD LEWISVILLE, NC 27023
434-688-0609 rllomas@rlomaspe.com



Luis R. Lomas P.E.
TX No.: 101889
Firm No: F-23130

REVISIONS			
REV	DESCRIPTION	DATE	APPROVED
B	REVISED PER NEW CODE	12/20/2021	R.L.



SIGNED: 12/20/2021

NAN YA PLASTICS CORP. USA
 8989 NORTH LOOP EAST
 HOUSTON, TX 77029

SERIES SLPS INSWING 3/4 LITE FIBERGLASS
 PATIO DOOR NON-IMPACT
 INSTALLATION DETAILS

DRAWN: N.G.	DWG NO. 08-02503	REV B
SCALE NTS	DATE 10/20/14	SHEET 12 OF 14

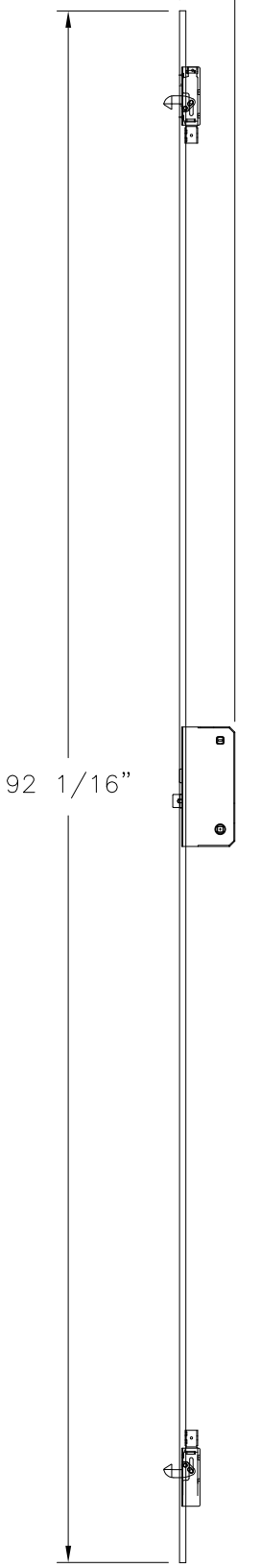
L. ROBERTO LOMAS P.E.
 1432 WOODFORD RD LEWISVILLE, NC 27023
 434-688-0609 rllomas@rlomaspe.com



Luis R. Lomas P.E.
 TX No.: 101889
 Firm No: F-23130

REVISIONS			
REV	DESCRIPTION	DATE	APPROVED
B	REVISED PER NEW CODE	12/20/2021	R.L.

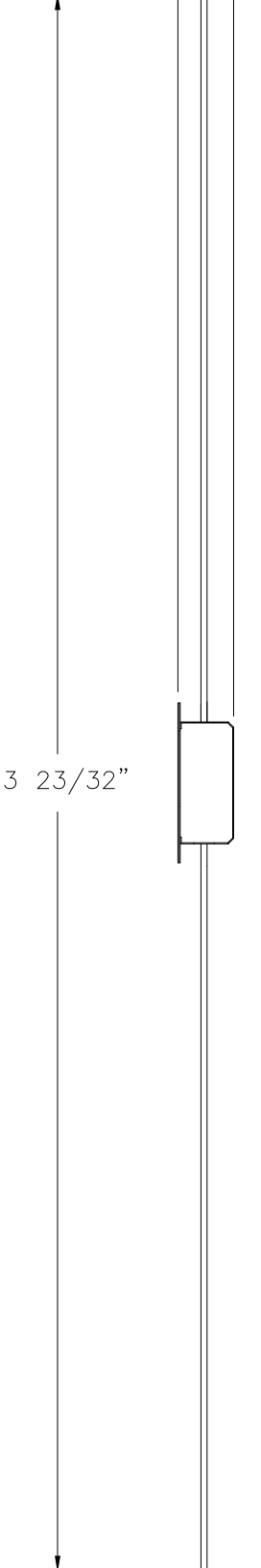
3 9/32"



92 1/16"

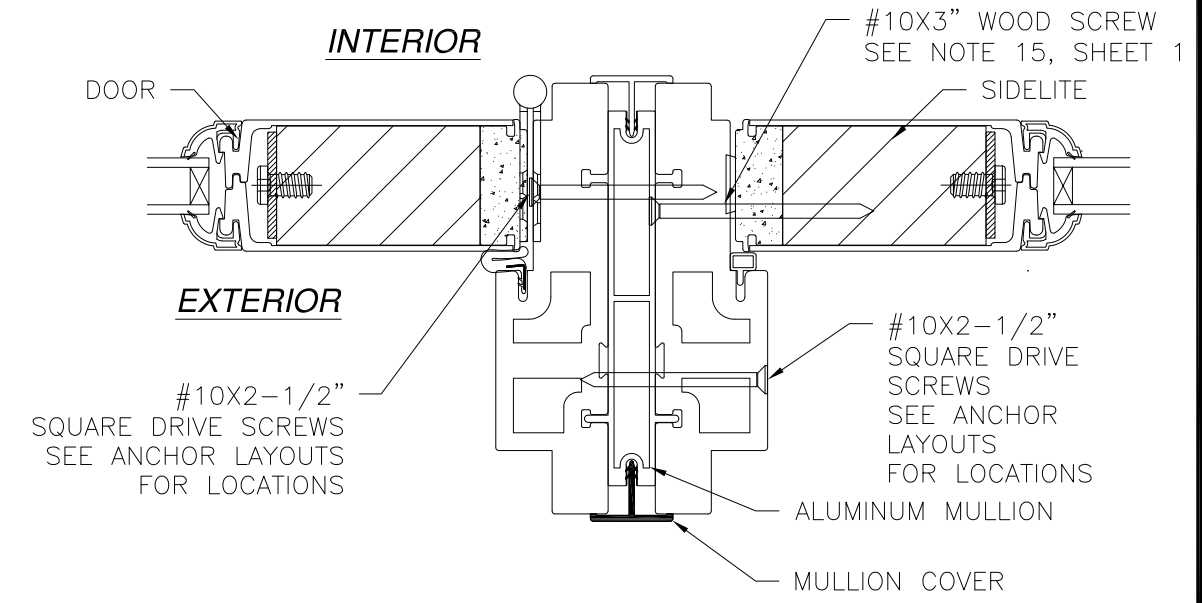
MULTI-POINT LOCKING SYSTEM
STAINLESS STEEL (SS93)
BY JAM YUAN ENTERPRISES CO., LTD.

3 7/32"

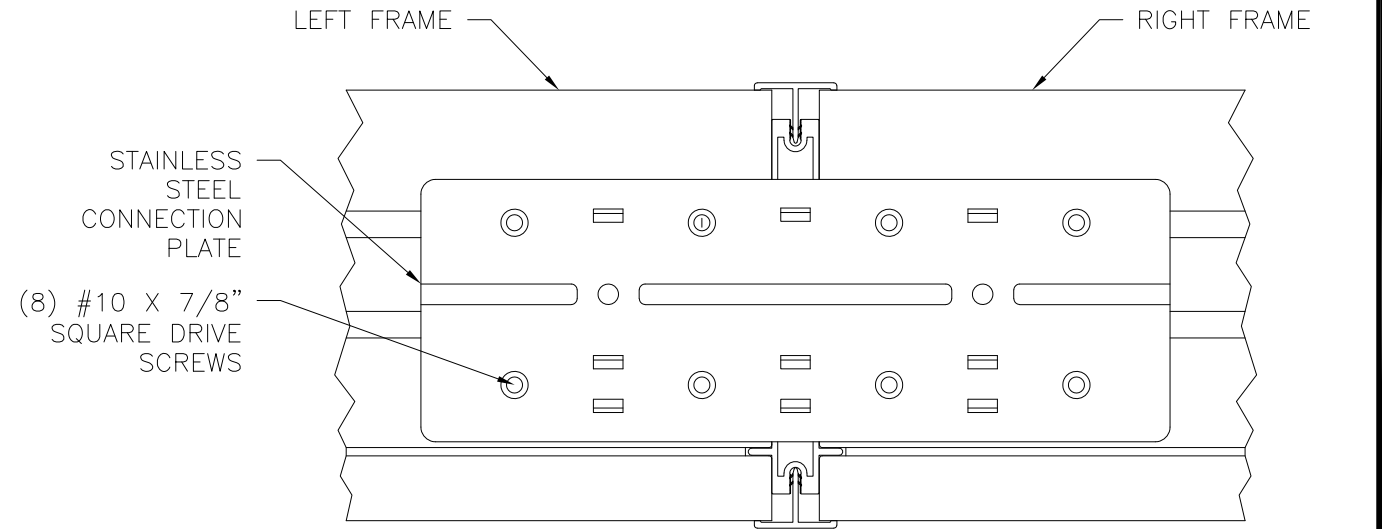


93 23/32"

TOP/BOTTOM DRIVE BAR SYSTEM
STAINLESS STEEL (SS916)
BY JAM YUAN ENTERPRISES CO., LTD



MULLION DETAIL



FRAME CONNECTION DETAIL

SIGNED: 12/20/2021

NAN YA PLASTICS CORP. USA
8989 NORTH LOOP EAST
HOUSTON, TX 77029

SERIES SLPS INSWING 3/4 LITE FIBERGLASS
PATIO DOOR NON-IMPACT
INSTALLATION DETAILS

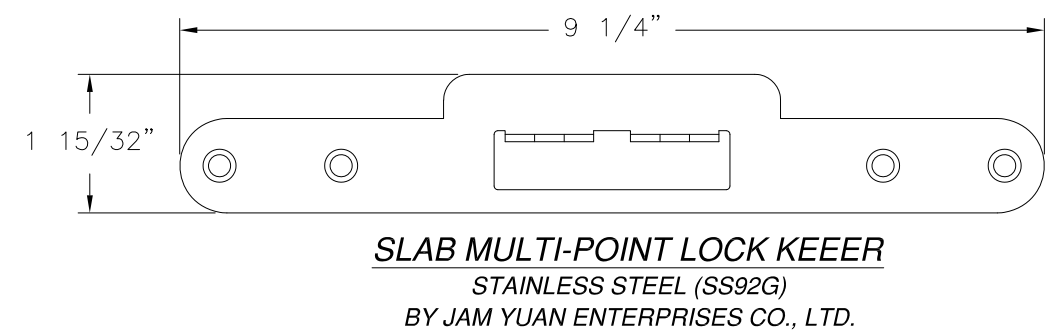
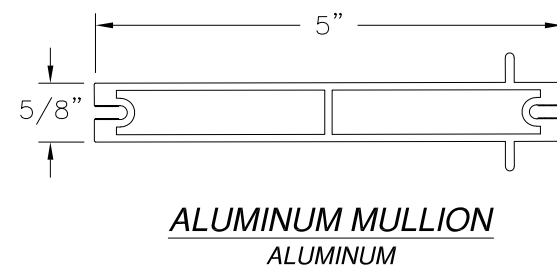
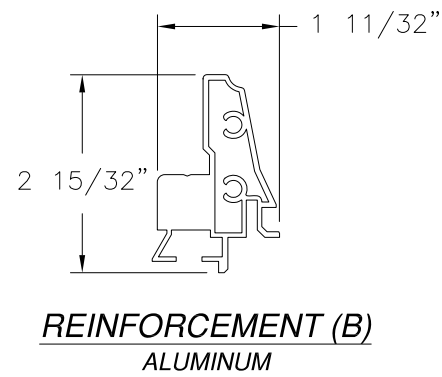
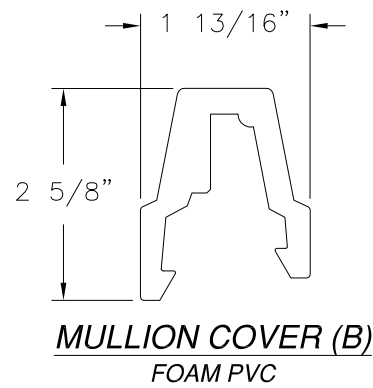
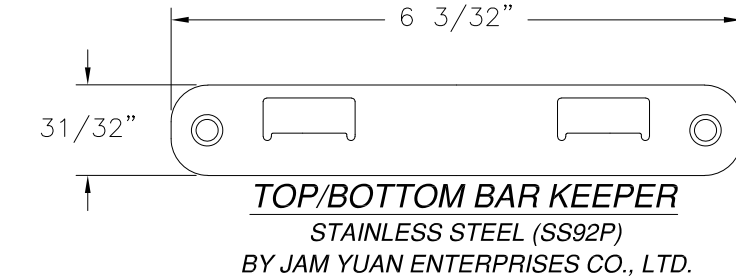
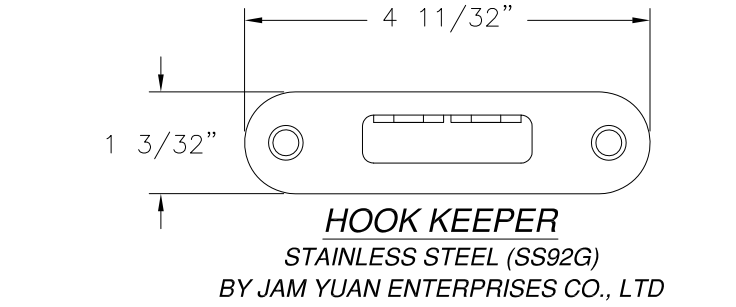
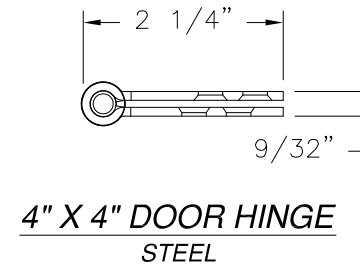
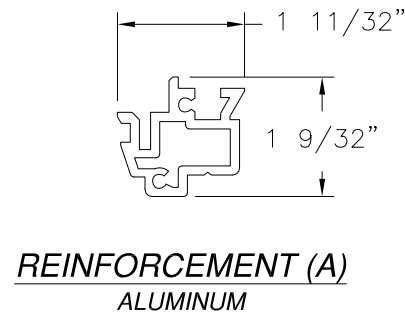
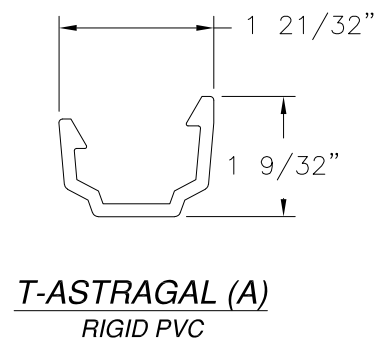
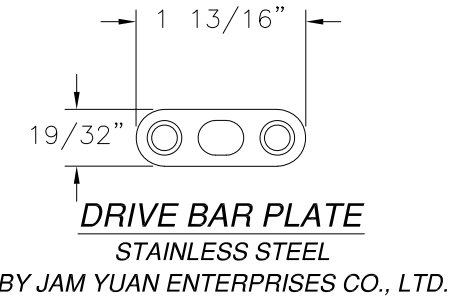
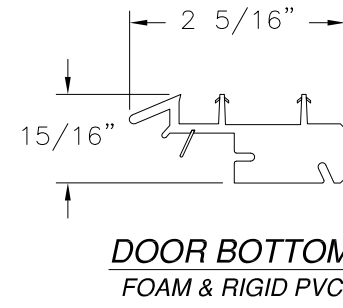
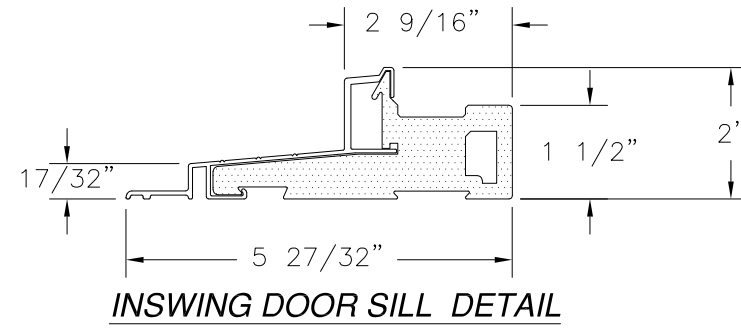
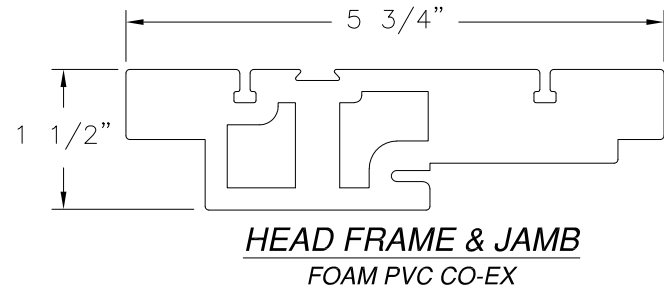
DRAWN: N.G.	DWG NO. 08-02503	REV B
SCALE NTS	DATE 10/20/14	SHEET 13 OF 14

L. ROBERTO LOMAS P.E.
1432 WOODFORD RD LEWISVILLE, NC 27023
434-688-0609 rllomas@rlomaspe.com

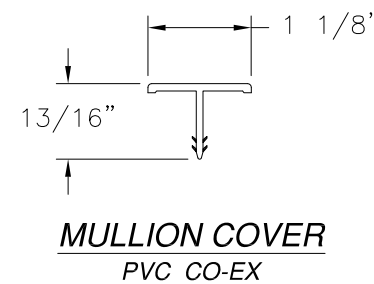
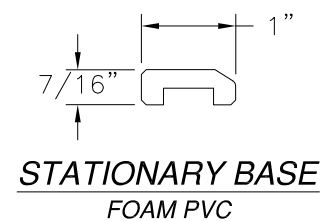
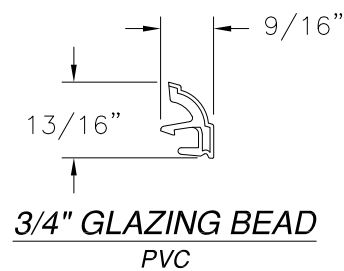


Luis R. Lomas P.E.
TX No.: 101889
Firm No: F-23130

REVISIONS			
REV	DESCRIPTION	DATE	APPROVED
B	REVISED PER NEW CODE	12/20/2021	R.L.



SIGNED: 12/20/2021



NAN YA PLASTICS CORP. USA
8989 NORTH LOOP EAST
HOUSTON, TX 77029

SERIES SLPS INSWING 3/4 LITE FIBERGLASS
PATIO DOOR NON-IMPACT
COMPONENTS

DRAWN: N.G.	DWG NO. 08-02503	REV B
SCALE NTS	DATE 10/20/14	SHEET 14 OF 14

L. ROBERTO LOMAS P.E.
1432 WOODFORD RD LEWISVILLE, NC 27023
434-688-0609 rllomas@rlomaspe.com



Luis R. Lomas P.E.
TX No.: 101889
Firm No: F-23130