

REVISIONS			
REV	DESCRIPTION	DATE	APPROVED
B	REVISED PER NEW CODE	12/20/2021	R.L.

NOTES:

1. THE PRODUCT SHOWN HEREIN IS DESIGNED AND MANUFACTURED TO COMPLY WITH REQUIREMENTS OF THE 2018 IBC AND 2018 IRC.
2. WOOD FRAMING AND MASONRY OPENING TO BE DESIGNED AND ANCHORED TO PROPERLY TRANSFER ALL LOADS TO STRUCTURE. FRAMING AND MASONRY OPENING IS THE RESPONSIBILITY OF THE ARCHITECT OR ENGINEER OF RECORD.
3. 1X BUCK OVER MASONRY/CONCRETE IS OPTIONAL.
4. WHERE SHIM OR BUCK THICKNESS IS LESS THAN 1-1/2" WINDOW UNITS MUST BE ANCHORED THROUGH THE FRAME IN ACCORDANCE WITH MANUFACTURER'S PUBLISHED INSTALLATION INSTRUCTIONS. ANCHORS SHALL BE SECURELY FASTENED DIRECTLY INTO MASONRY, CONCRETE OR OTHER STRUCTURAL SUBSTRATE MATERIAL.
5. WHERE WOOD BUCK THICKNESS IS 1-1/2" OR GREATER, BUCK SHALL BE SECURELY FASTENED TO MASONRY, CONCRETE OR OTHER STRUCTURAL SUBSTRATE. WINDOW UNITS MAY BE ANCHORED THROUGH FRAME TO SECURED WOOD BUCK IN ACCORDANCE WITH MANUFACTURER'S PUBLISHED INSTALLATION INSTRUCTIONS.
6. WHERE 1X BUCK IS NOT USED DISSIMILAR MATERIALS MUST BE SEPARATED WITH APPROVED COATING OR MEMBRANE. SELECTION OF COATING OR MEMBRANE IS THE RESPONSIBILITY OF THE ARCHITECT OR ENGINEER OF RECORD.
7. BUCKS SHALL EXTEND BEYOND WINDOW INTERIOR FACE SO THAT FULL FRAME SUPPORT IS PROVIDED.
8. SHIM AS REQUIRED AT EACH ANCHOR LOCATION WITH LOAD BEARING SHIM. SHIM WHERE SPACE OF 1/16" OR GREATER OCCURS. MAXIMUM ALLOWABLE SHIM STACK TO BE 1/4".
9. SHIMS SHALL BE LOCATED, APPLIED AND MADE FROM MATERIALS AND THICKNESS CAPABLE OF SUSTAINING APPLICABLE LOADS.
10. WIND LOAD DURATION FACTOR Cd=1.6 WAS USED FOR WOOD ANCHOR CALCULATIONS.
11. FRAME MATERIAL: CO-EXTRUDED PVC FOAM.
12. UNITS MUST BE GLAZED PER ASTM E1300, WITH SAFETY GLAZING.
13. APPROVED IMPACT PROTECTIVE SYSTEM IS REQUIRED FOR THIS PRODUCT IN WIND BORNE DEBRIS REGIONS.

14. FOR ANCHORING INTO WOOD FRAMING OR 2X BUCK USE #10 WOOD SCREWS WITH SUFFICIENT LENGTH TO ACHIEVE A 1 1/4" MINIMUM EMBEDMENT INTO SUBSTRATE. LOCATE ANCHORS AS SHOWN IN ELEVATIONS AND INSTALLATION DETAILS.
15. FOR ANCHORING INTO MASONRY/CONCRETE USE 3/16" TAPCONS WITH SUFFICIENT LENGTH TO ACHIEVE A 1 1/4" MINIMUM EMBEDMENT INTO SUBSTRATE WITH 2" MINIMUM EDGE DISTANCE. LOCATE ANCHORS AS SHOWN IN ELEVATIONS AND INSTALLATION DETAILS.
16. FOR ANCHORING INTO METAL STRUCTURE USE #10 SMS OR SELF DRILLING SCREWS WITH SUFFICIENT LENGTH TO ACHIEVE 3 THREADS MINIMUM BEYOND STRUCTURE INTERIOR WALL. LOCATE ANCHORS AS SHOWN IN ELEVATIONS AND INSTALLATION DETAILS.
17. ALL FASTENERS TO BE CORROSION RESISTANT.
18. INSTALLATION ANCHORS SHALL BE INSTALLED IN ACCORDANCE WITH ANCHOR MANUFACTURER'S INSTALLATION INSTRUCTIONS AND ANCHORS SHALL NOT BE USED IN SUBSTRATES WITH STRENGTHS LESS THAN THE MINIMUM STRENGTH SPECIFIED BELOW:
 - A. WOOD - MINIMUM SPECIFIC GRAVITY OF G=0.42
 - B. CONCRETE - MINIMUM COMPRESSIVE STRENGTH OF 3,192 PSI.
 - C. MASONRY - STRENGTH CONFORMANCE TO ASTM C-90, GRADE N, TYPE 1 (OR GREATER).
 - D. METAL STRUCTURE: STEEL 18GA, 33KSI OR ALUMINUM 6063-T5 1/8" THICK MINIMUM
19. APPROVED CONFIGURATIONS: X, OX, XO, X/O, O/X, XX, OXX, XXO, O/XX, XX/O, OXO, O/XO, OX/O, O/XXO, OXX/O AND OXXO, SEE SHEET 3.
20. SIDELITES ARE ASSEMBLED TO FRAME WITH #10 X 2 1/2" WOOD SCREWS LOCATED 4" FROM EACH END AND 26 7/8" MAX O.C. THEREAFTER AT JAMBS AND 4" FROM EACH END AND ONE AT MIDSPAN AT HEAD AND SILL.

TABLE OF CONTENTS	
SHEET NO.	DESCRIPTION
1	NOTES
2	ELEVATION & GLAZING DETAIL
3	APPROVED CONFIGURATIONS
4 - 5	ANCHORING LAYOUTS
6 - 13	INSTALLATION DETAILS
14	COMPONENTS

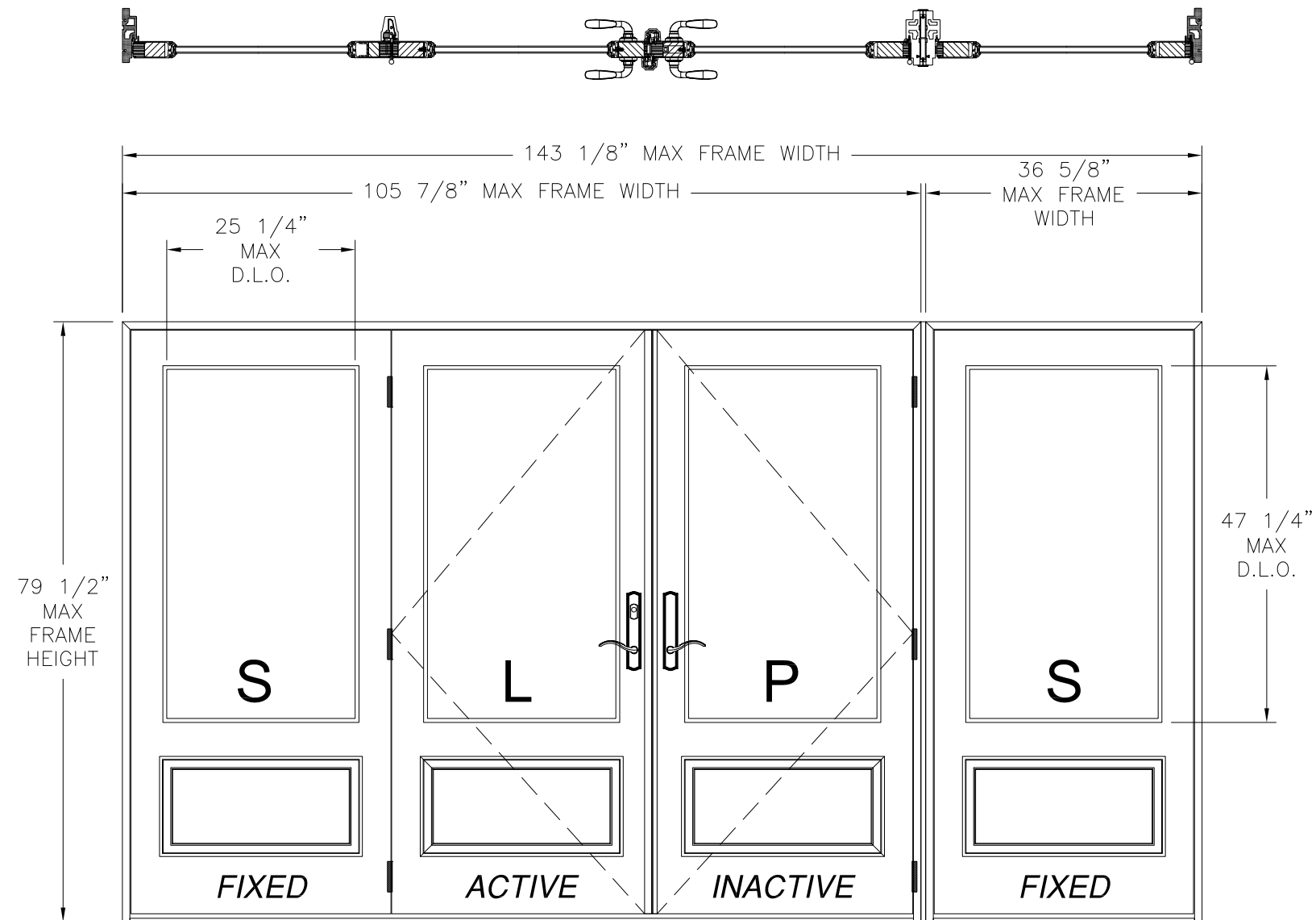
NAN YA PLASTICS CORP. USA 8989 NORTH LOOP EAST HOUSTON, TX 77029		
SERIES SLPS 3/4 LITE FIBERGLASS OUT-SWING PATIO DOOR NON-IMPACT NOTES		
DRAWN: N.G.	DWG NO. 08-02501	REV B
SCALE NTS	DATE 10/17/14	SHEET 1 OF 14
L. ROBERTO LOMAS P.E. 1432 WOODFORD RD LEWISVILLE, NC 27023 434-688-0609 rllomas@rlomaspe.com		

SIGNED: 12/20/2021



Luis R. Lomas P.E.
 TX No.: 101889
 Firm No: F-23130

REVISIONS			
REV	DESCRIPTION	DATE	APPROVED
B	REVISED PER NEW CODE	12/20/2021	R.L.



NOTES:
1. PANEL SIZE: 34 1/2" X 77 5/16"

SERIES SLPS 12068 OS
3/4 LITE FIBERGLASS PATIO DOOR
EXTERIOR VIEW

DESIGN PRESSURE RATING	IMPACT RATING
±50.0PSF	NONE

SIGNED: 12/20/2021

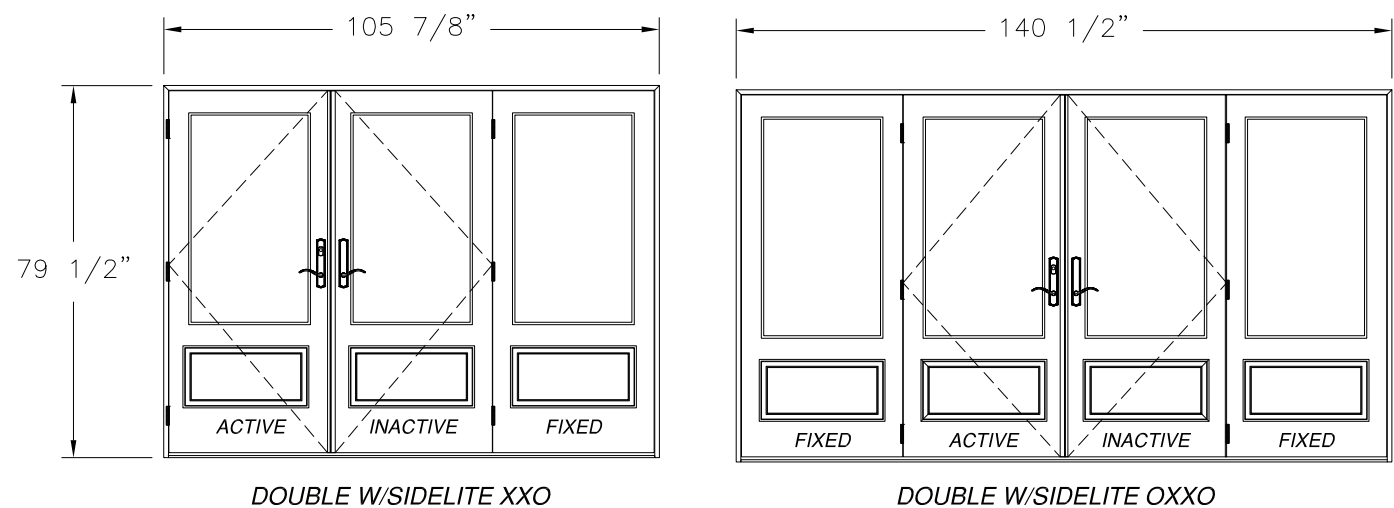
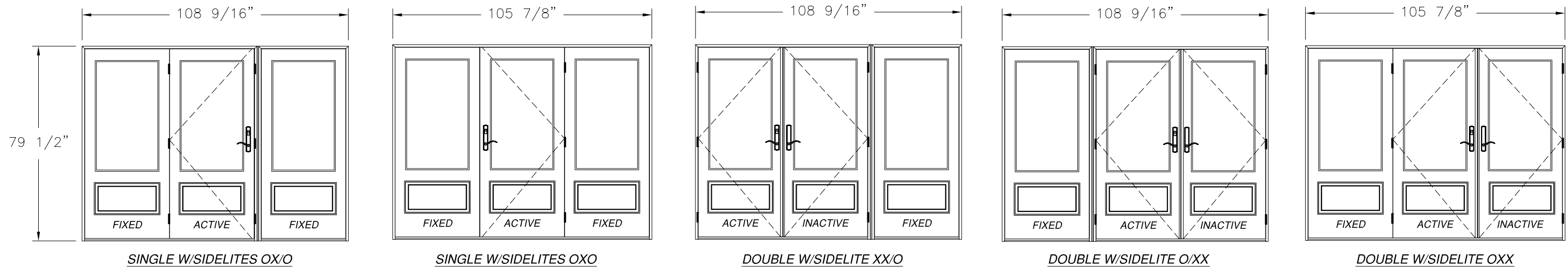
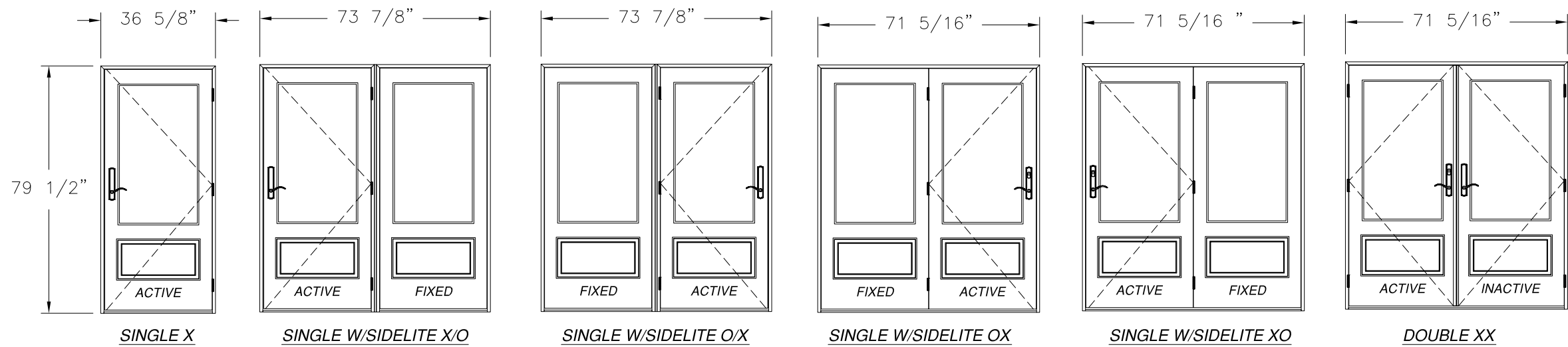
HARDWARE SCHEDULE	
A.	STEEL 4X4 HINGE AT HINGE STILES, 7 5/8", 37 7/8" AND 68 1/8" FROM FRAME HEAD
B.	STAINLESS STEEL FLUSH BOLT BAR WITH KEEPERS AT ASTRAGAL
C.	DIE CAST, STEEL, POM FLUSH BOLT MECHANISM AT LOCK STILE
D.	STEEL LATCH WITH KEEPER AT JAMB
E.	STEEL DEADBOLT WITH KEEPER AT LOCKSTILE
F.	DIE CAST HANDLE SETS AT ACTIVE DOOR PANELS
G.	ALUMINUM REINFORCEMENT-A AT ASTRAGAL
H.	ALUMINUM REINFORCEMENT-B AT INTEGRAL MULLION

NAN YA PLASTICS CORP. USA 8989 NORTH LOOP EAST HOUSTON, TX 77029		
SERIES SLPS 3/4 LITE FIBERGLASS OUT-SWING PATIO DOOR NON-IMPACT ELEVATION		
DRAWN: N.G.	DWG NO. 08-02501	REV B
SCALE NTS	DATE 10/17/14	SHEET 2 OF 14
L. ROBERTO LOMAS P.E. 1432 WOODFORD RD LEWISVILLE, NC 27023 434-688-0609 rllomas@rlomaspe.com		



Luis R. Lomas P.E.
TX No.: 101889
Firm No: F-23130

REVISIONS			
REV	DESCRIPTION	DATE	APPROVED
B	REVISED PER NEW CODE	12/20/2021	R.L.



NAN YA PLASTICS CORP. USA
 8989 NORTH LOOP EAST
 HOUSTON, TX 77029

SERIES SLPS 3/4 LITE FIBERGLASS
 OUT-SWING PATIO DOOR NON-IMPACT
 ADDITIONAL APPROVED CONFIGURATIONS

DRAWN: N.G.	DWG NO. 08-02501	REV B
SCALE NTS	DATE 10/17/14	SHEET 3 OF 14

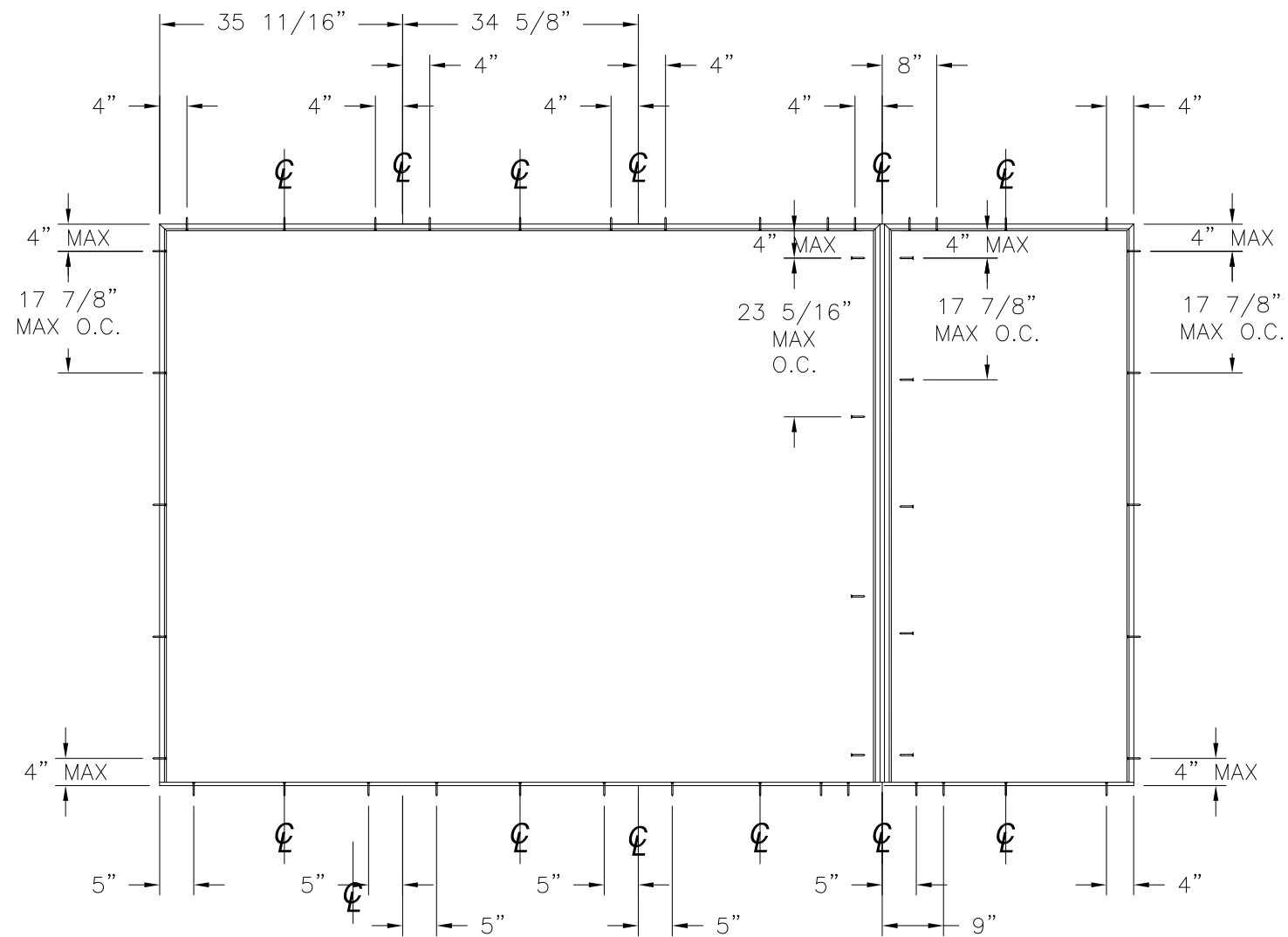
L. ROBERTO LOMAS P.E.
 1432 WOODFORD RD LEWISVILLE, NC 27023
 434-688-0609 rllomas@rlomaspe.com

SIGNED: 12/20/2021

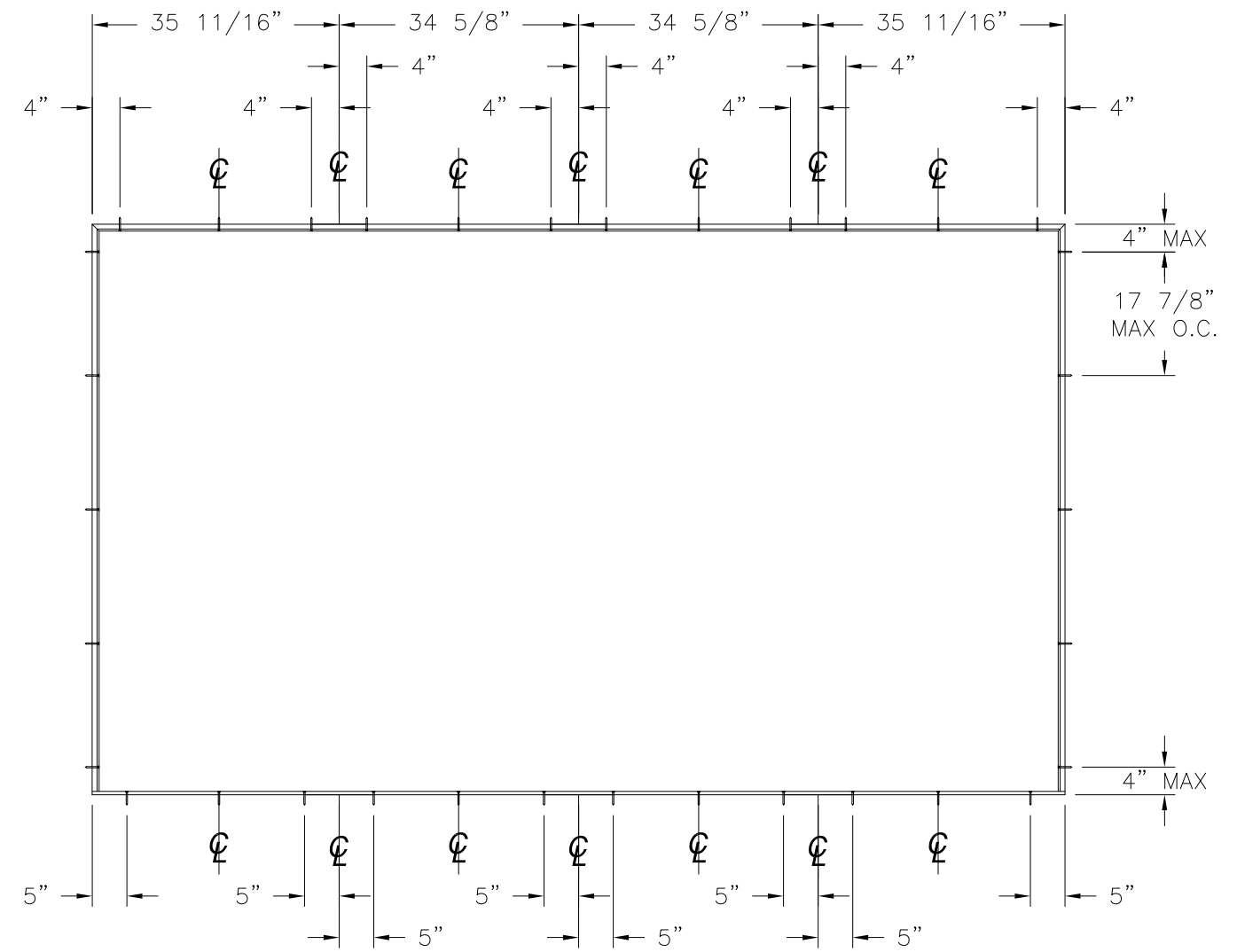


Luis R. Lomas P.E.
 TX No.: 101889
 Firm No: F-23130

REVISIONS			
REV	DESCRIPTION	DATE	APPROVED
B	REVISED PER NEW CODE	12/20/2021	R.L.



ANCHORING LAYOUT FOR O/XXO, OXX/O



ANCHORING LAYOUT FOR OXXO

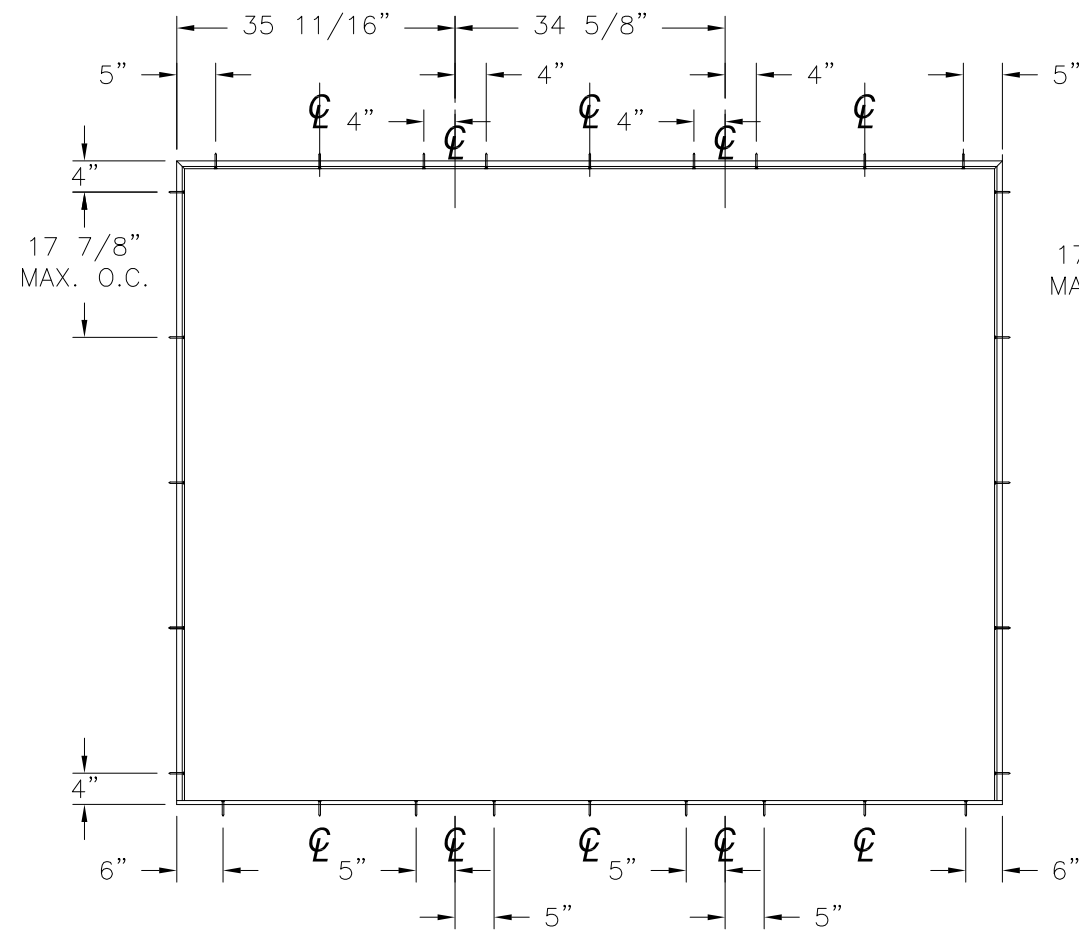
SIGNED: 12/20/2021

<p>NAN YA PLASTICS CORP. USA 8989 NORTH LOOP EAST HOUSTON, TX 77029</p>		
<p>SERIES SLPS 3/4 LITE FIBERGLASS OUT-SWING PATIO DOOR NON-IMPACT ANCHORING LAYOUTS</p>		
DRAWN: N.G.	DWG NO. 08-02501	REV B
SCALE NTS	DATE 10/17/14	SHEET 4 OF 14
<p>L. ROBERTO LOMAS P.E. 1432 WOODFORD RD LEWISVILLE, NC 27023 434-688-0609 rllomas@lrlomaspe.com</p>		

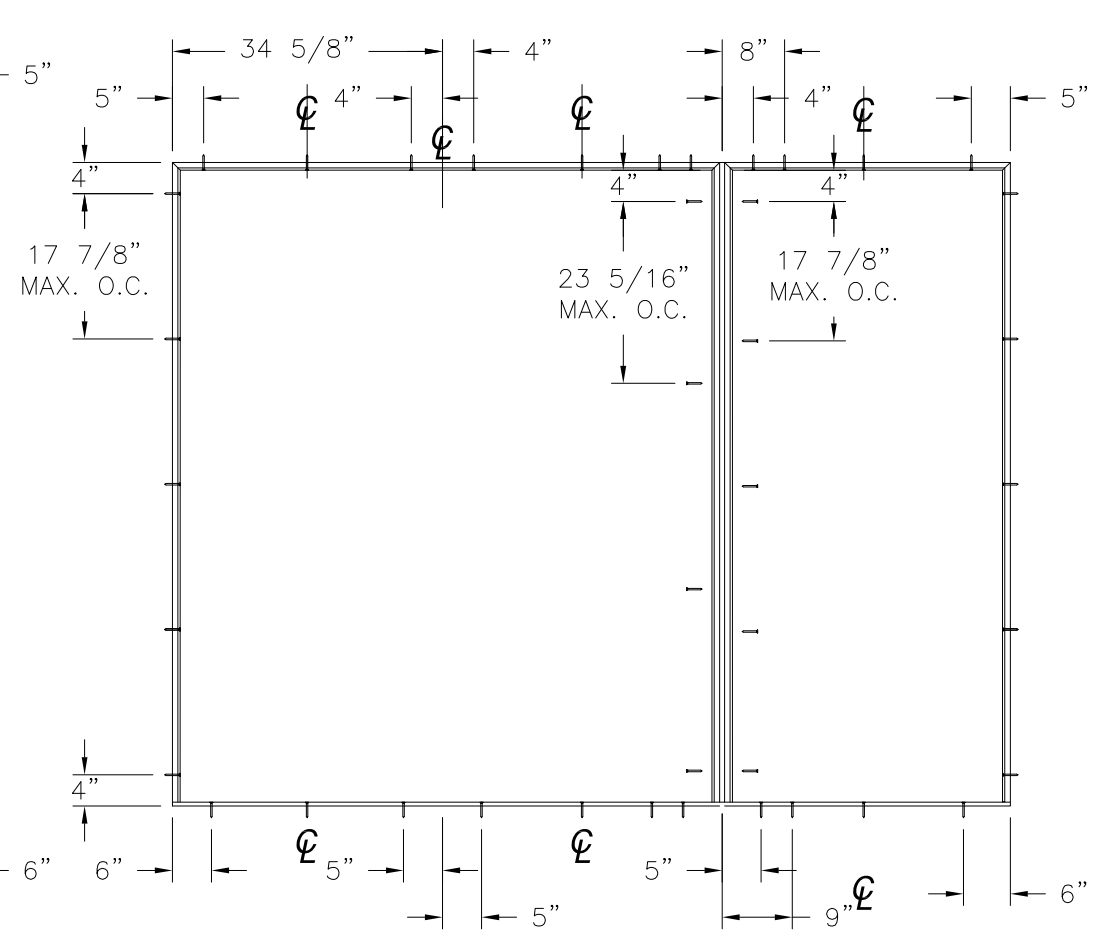


Luis R. Lomas P.E.
TX No.: 101889
Firm No: F-23130

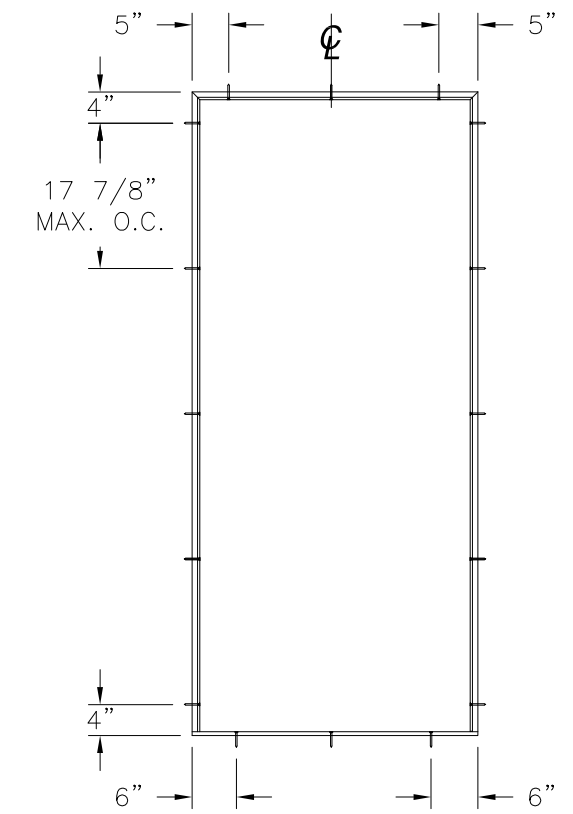
REVISIONS			
REV	DESCRIPTION	DATE	APPROVED
B	REVISED PER NEW CODE	12/20/2021	R.L.



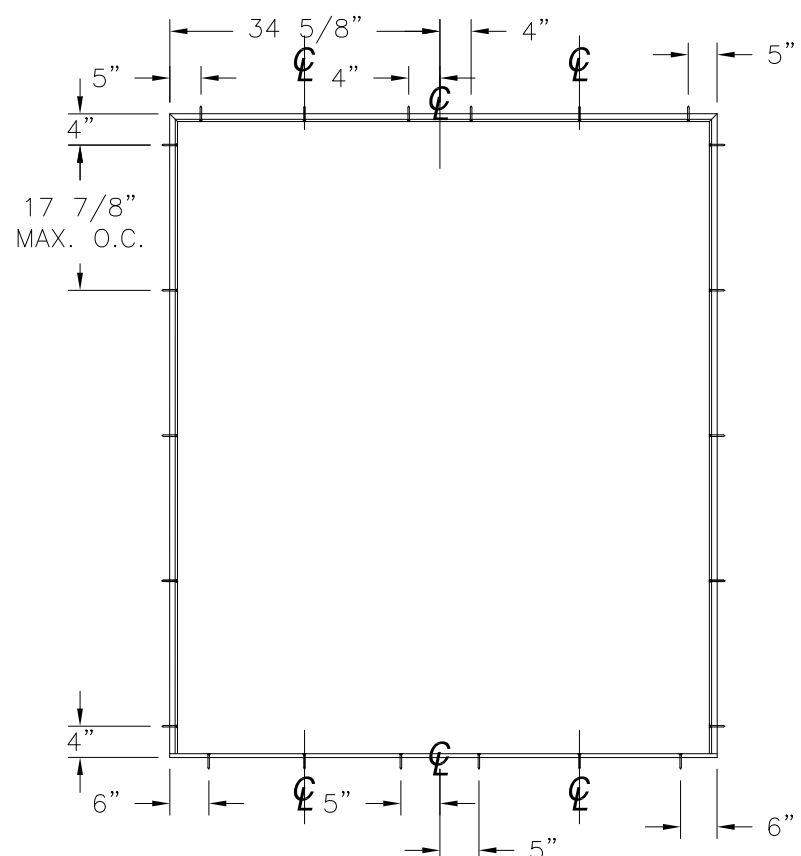
ANCHORING LAYOUT FOR OXO, XXO AND OXX



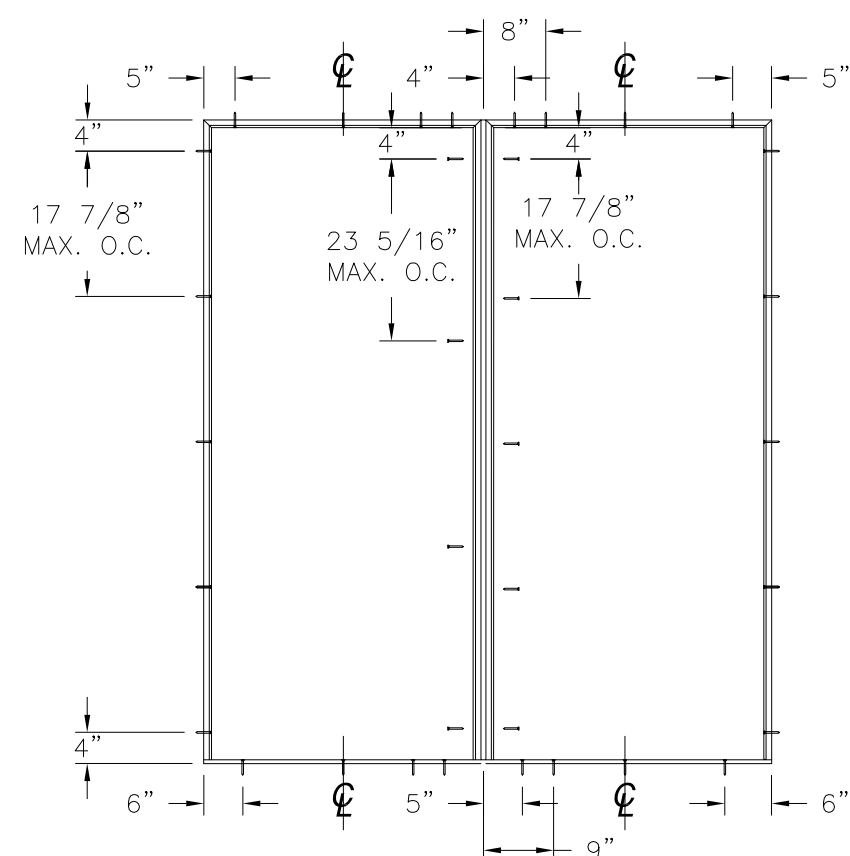
ANCHORING LAYOUT FOR OX/O, O/XO, XX/O AND O/XX



ANCHORING LAYOUT FOR X



ANCHORING LAYOUT FOR XX, OX AND XO



ANCHORING LAYOUT FOR O/X AND X/O

SIGNED: 12/20/2021

NAN YA PLASTICS CORP. USA
 8989 NORTH LOOP EAST
 HOUSTON, TX 77029

SERIES SLPS 3/4 LITE FIBERGLASS
 OUT-SWING PATIO DOOR NON-IMPACT
 ANCHORING LAYOUTS

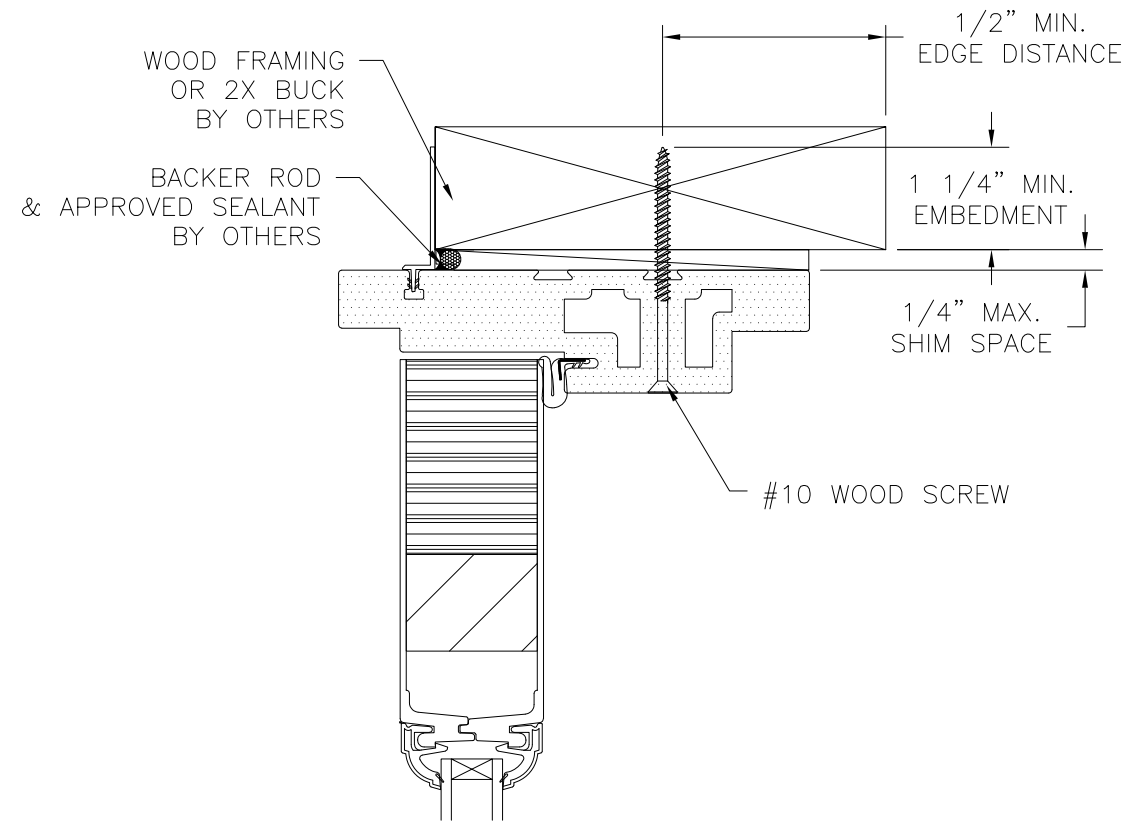
DRAWN: N.G.	DWG NO. 08-02501	REV B
SCALE NTS	DATE 10/17/14	SHEET 5 OF 14

L. ROBERTO LOMAS P.E.
 1432 WOODFORD RD LEWISVILLE, NC 27023
 434-688-0609 rllomas@rlomaspe.com

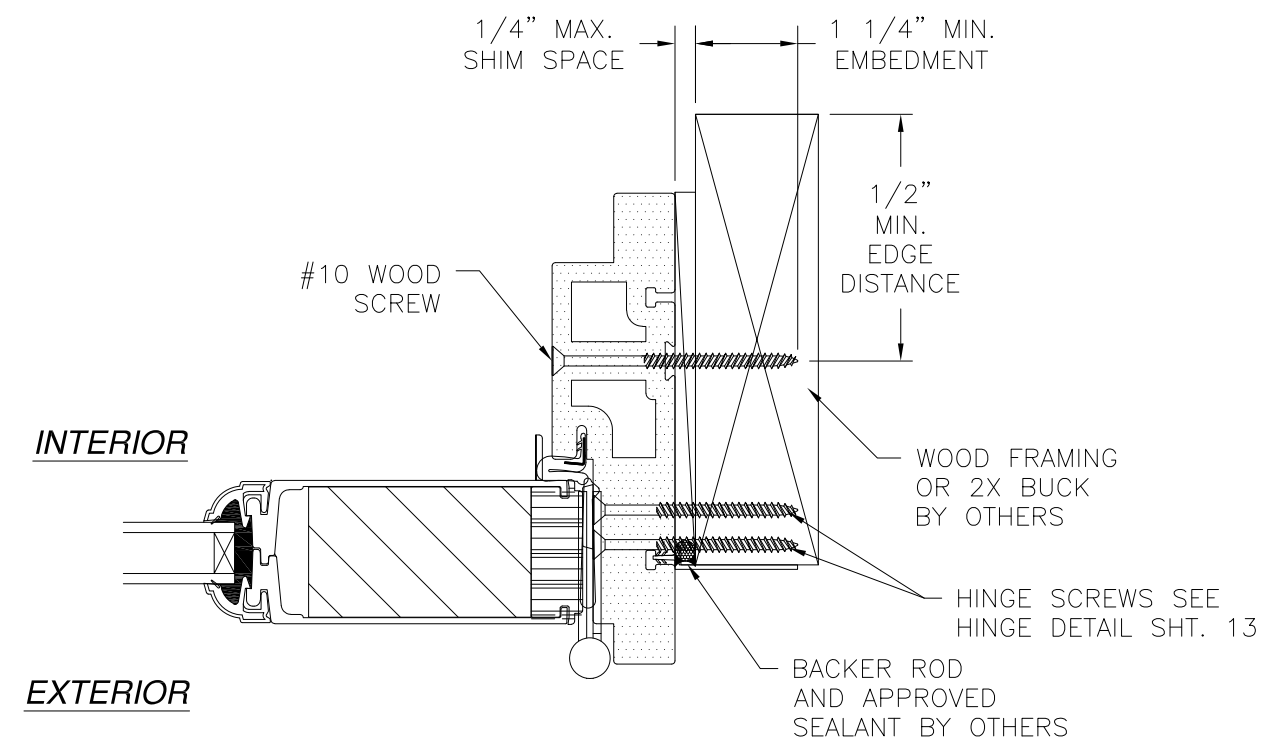


Luis R. Lomas P.E.
 TX No.: 101889
 Firm No: F-23130

REVISIONS			
REV	DESCRIPTION	DATE	APPROVED
B	REVISED PER NEW CODE	12/20/2021	R.L.



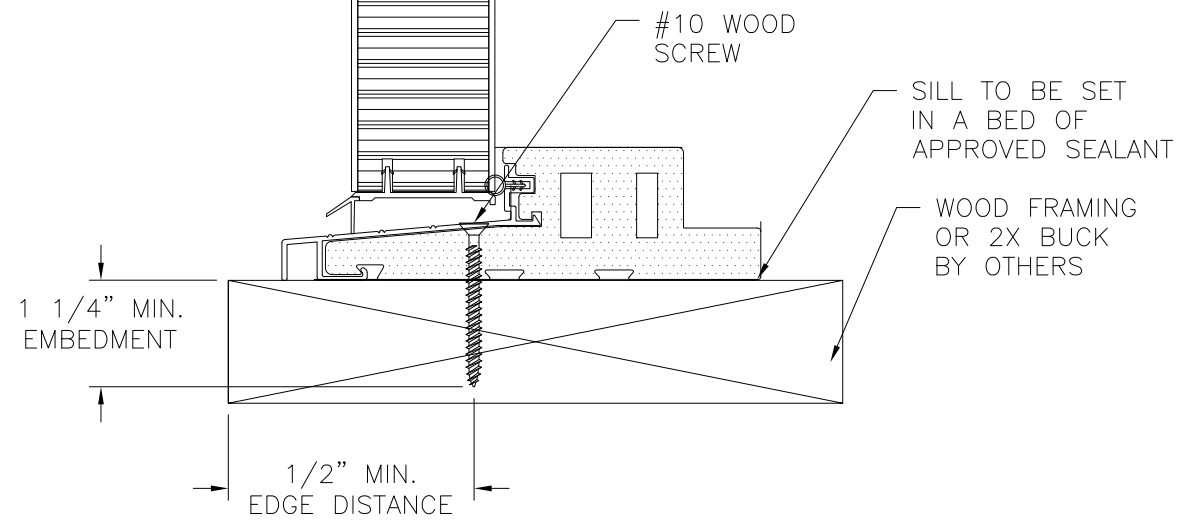
EXTERIOR **INTERIOR**



INTERIOR

EXTERIOR

DOOR INSTALLATION DETAILS
2X BUCK/WOOD FRAMING INSTALLATION



DOOR INSTALLATION DETAILS
2X BUCK/WOOD FRAMING INSTALLATION

- NOTES:**
1. **INTERIOR AND EXTERIOR FINISHES, BY OTHERS, NOT SHOWN FOR CLARITY.**
 2. **PERIMETER AND JOINT SEALANT BY OTHERS TO BE DESIGNED IN ACCORDANCE WITH ASTM E2112**

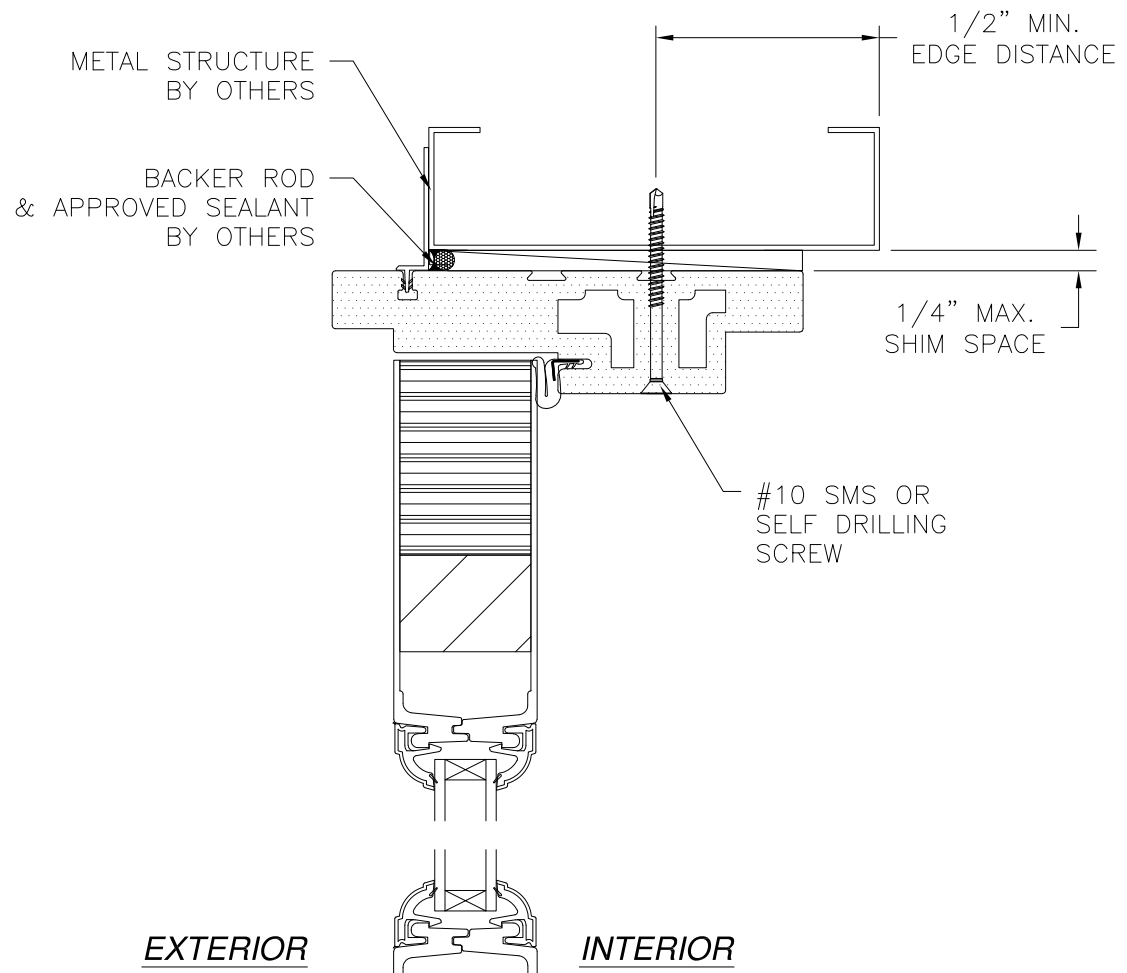
SIGNED: 12/20/2021

NAN YA PLASTICS CORP. USA 8989 NORTH LOOP EAST HOUSTON, TX 77029		
SERIES SLPS 3/4 LITE FIBERGLASS OUT-SWING PATIO DOOR NON-IMPACT DOOR INSTALLATION DETAILS		
DRAWN: N.G.	DWG NO. 08-02501	REV B
SCALE NTS	DATE 10/17/14	SHEET 6 OF 14
L. ROBERTO LOMAS P.E. 1432 WOODFORD RD LEWISVILLE, NC 27023 434-688-0609 rllomas@rlomaspe.com		

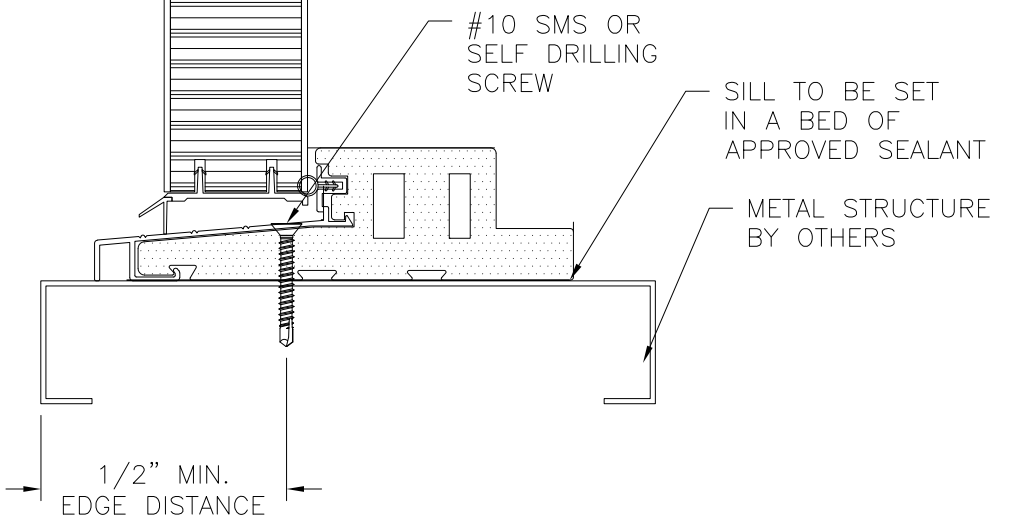


Luis R. Lomas P.E.
TX No.: 101889
Firm No: F-23130

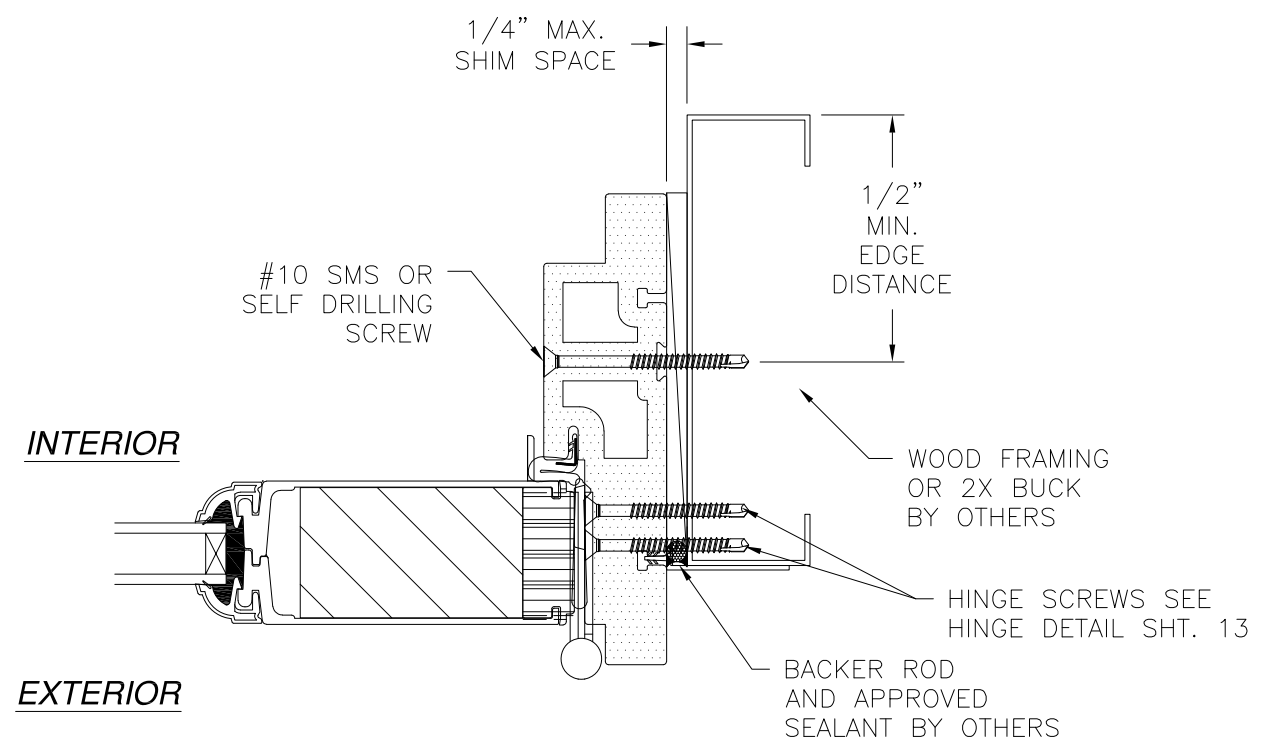
REVISIONS			
REV	DESCRIPTION	DATE	APPROVED
B	REVISED PER NEW CODE	12/20/2021	R.L.



EXTERIOR INTERIOR



DOOR INSTALLATION DETAILS
METAL STRUCTURE INSTALLATION



INTERIOR

EXTERIOR

DOOR INSTALLATION DETAILS
METAL STRUCTURE INSTALLATION

- NOTES:**
1. INTERIOR AND EXTERIOR FINISHES, BY OTHERS, NOT SHOWN FOR CLARITY.
 2. PERIMETER AND JOINT SEALANT BY OTHERS TO BE DESIGNED IN ACCORDANCE WITH ASTM E2112

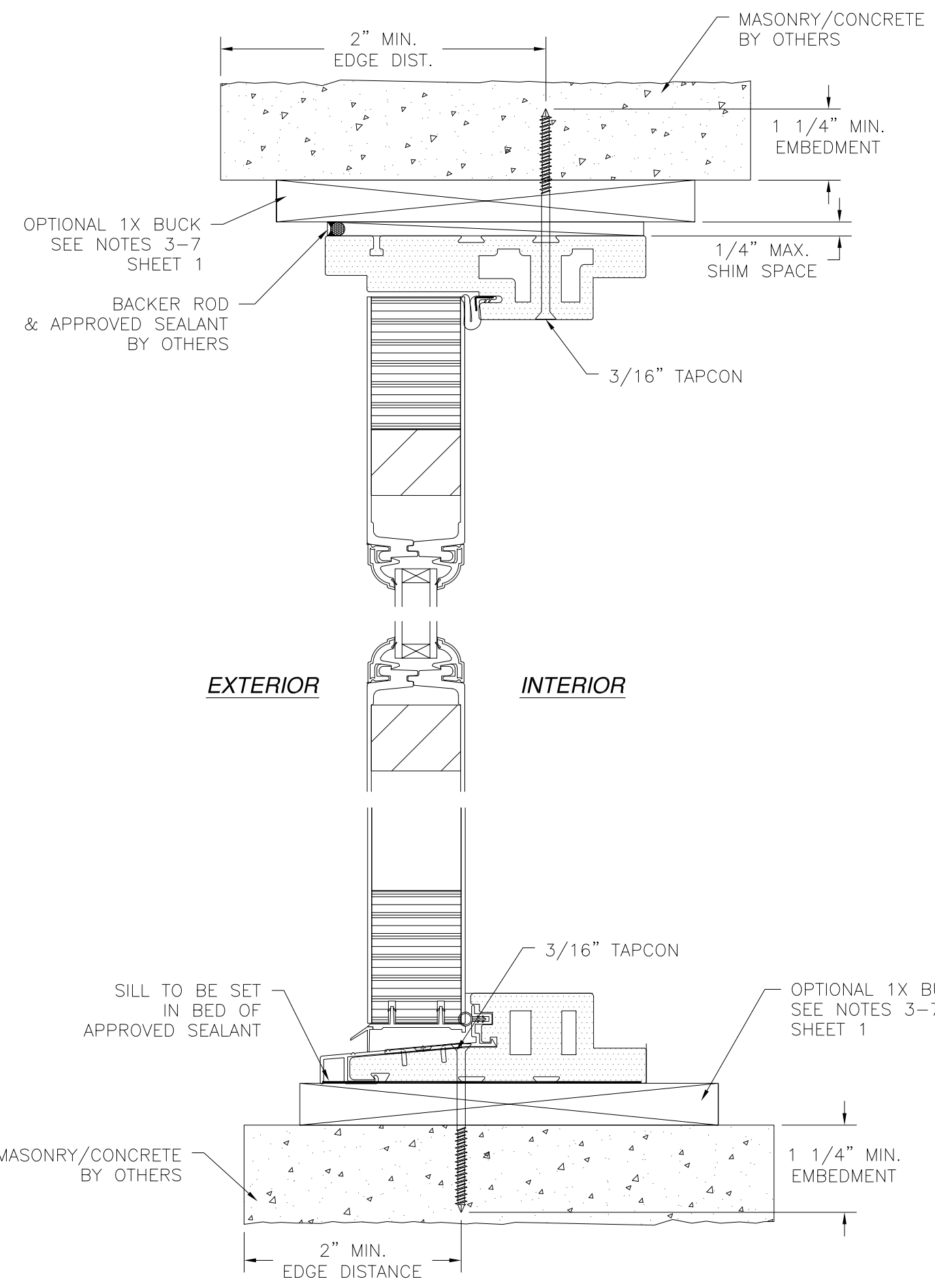
SIGNED: 12/20/2021

<p>NAN YA PLASTICS CORP. USA 8989 NORTH LOOP EAST HOUSTON, TX 77029</p>		
<p>SERIES SLPS 3/4 LITE FIBERGLASS OUT-SWING PATIO DOOR NON-IMPACT DOOR INSTALLATION DETAILS</p>		
<p>DRAWN: N.G.</p>	<p>DWG NO. 08-02501</p>	<p>REV B</p>
<p>SCALE NTS</p>	<p>DATE 10/17/14</p>	<p>SHEET 7 OF 14</p>
<p>L. ROBERTO LOMAS P.E. 1432 WOODFORD RD LEWISVILLE, NC 27023 434-688-0609 rllomas@rlomaspe.com</p>		

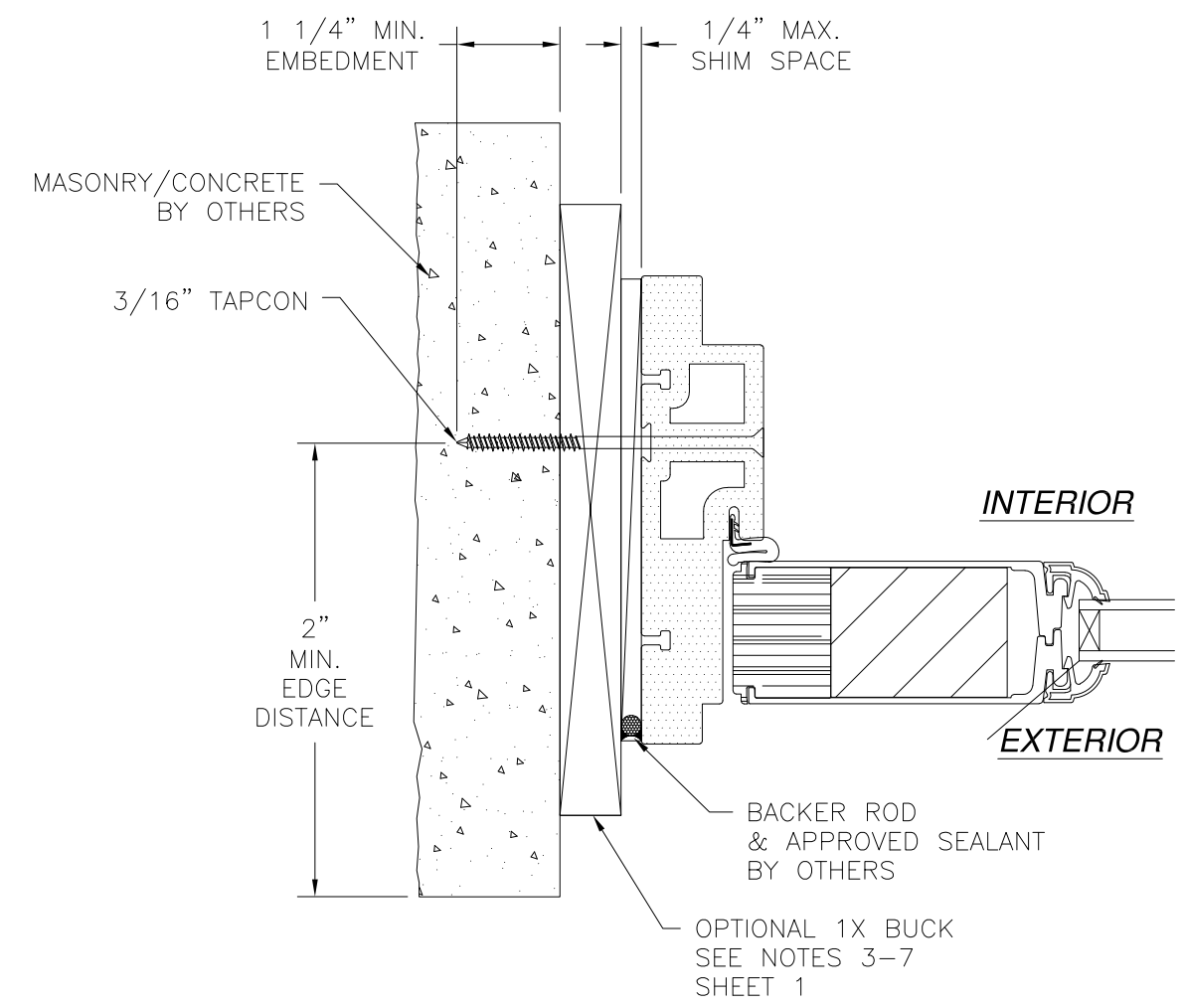


Luis R. Lomas P.E.
TX No.: 101889
Firm No: F-23130

REVISIONS			
REV	DESCRIPTION	DATE	APPROVED
B	REVISED PER NEW CODE	12/20/2021	R.L.



DOOR INSTALLATION DETAILS
MASONRY/CONCRETE INSTALLATION



DOOR INSTALLATION DETAILS
MASONRY/CONCRETE INSTALLATION

- NOTES:**
1. INTERIOR AND EXTERIOR FINISHES, BY OTHERS, NOT SHOWN FOR CLARITY.
 2. PERIMETER AND JOINT SEALANT BY OTHERS TO BE DESIGNED IN ACCORDANCE WITH ASTM E2112

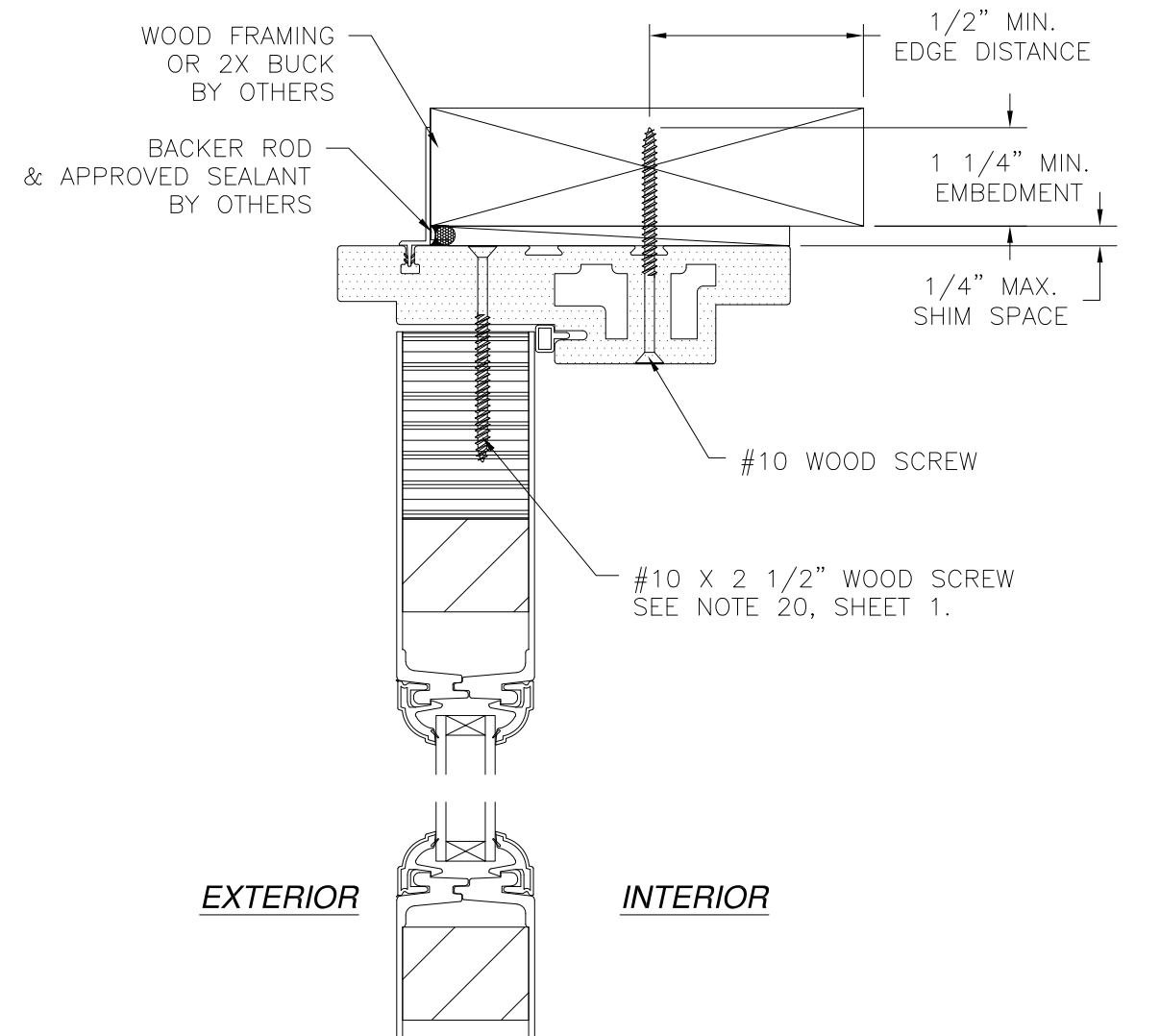
SIGNED: 12/20/2021

<p>NAN YA PLASTICS CORP. USA 8989 NORTH LOOP EAST HOUSTON, TX 77029</p>		
<p>SERIES SLPS 3/4 LITE FIBERGLASS OUT-SWING PATIO DOOR NON-IMPACT DOOR INSTALLATION DETAILS</p>		
DRAWN: N.G.	DWG NO. 08-02501	REV B
SCALE NTS	DATE 10/17/14	SHEET 8 OF 14
<p>L. ROBERTO LOMAS P.E. 1432 WOODFORD RD LEWISVILLE, NC 27023 434-688-0609 rllomas@rlomaspe.com</p>		

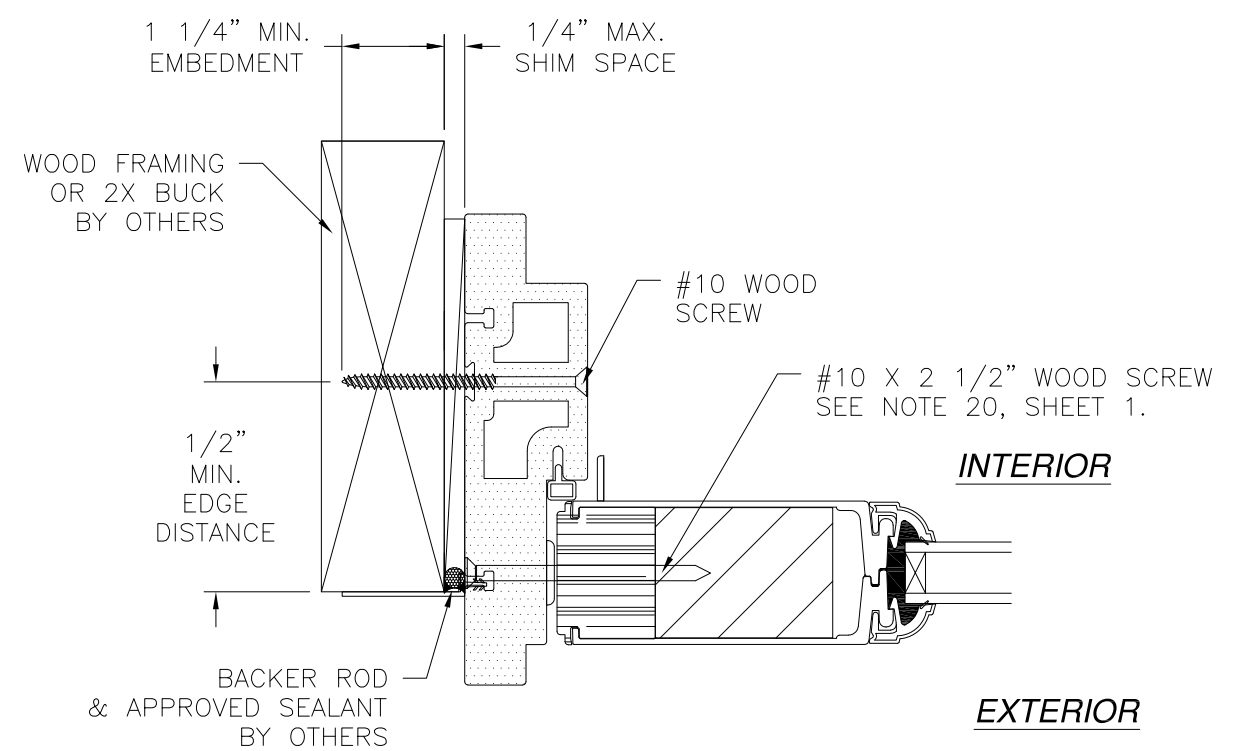


Luis R. Lomas P.E.
TX No.: 101889
Firm No: F-23130

REVISIONS			
REV	DESCRIPTION	DATE	APPROVED
B	REVISED PER NEW CODE	12/20/2021	R.L.



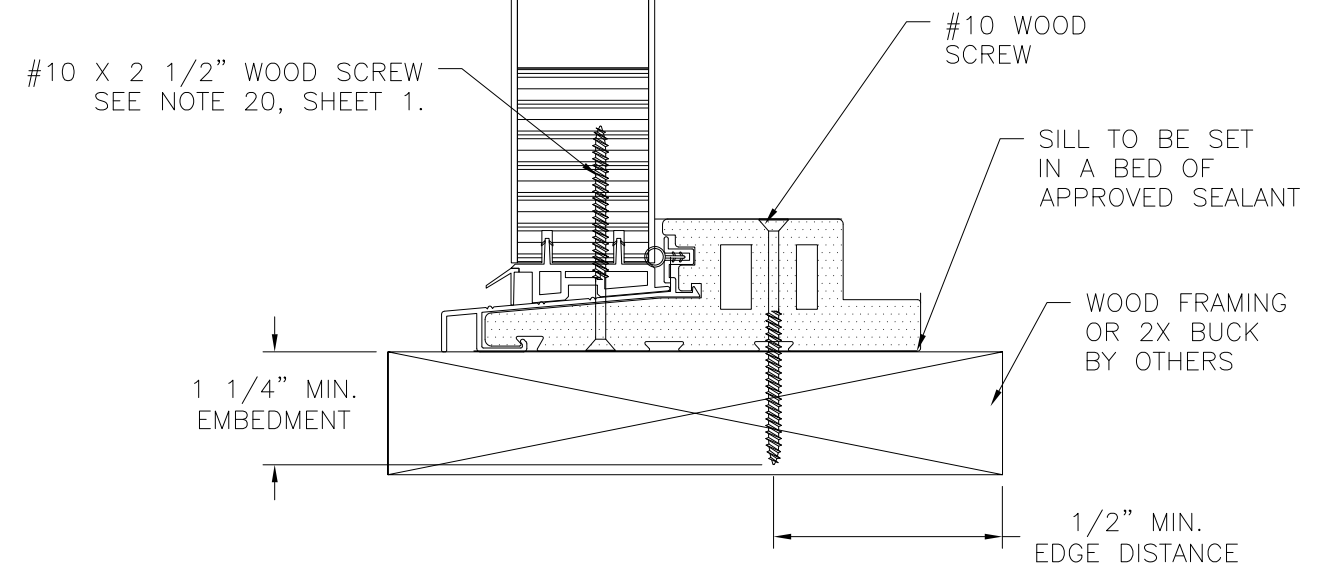
EXTERIOR **INTERIOR**



INTERIOR

EXTERIOR

SIDELITE INSTALLATION DETAILS
2X BUCK/WOOD FRAMING INSTALLATION



SIDELITE INSTALLATION DETAILS
2X BUCK/WOOD FRAMING INSTALLATION

- NOTES:**
1. INTERIOR AND EXTERIOR FINISHES, BY OTHERS, NOT SHOWN FOR CLARITY.
 2. PERIMETER AND JOINT SEALANT BY OTHERS TO BE DESIGNED IN ACCORDANCE WITH ASTM E2112

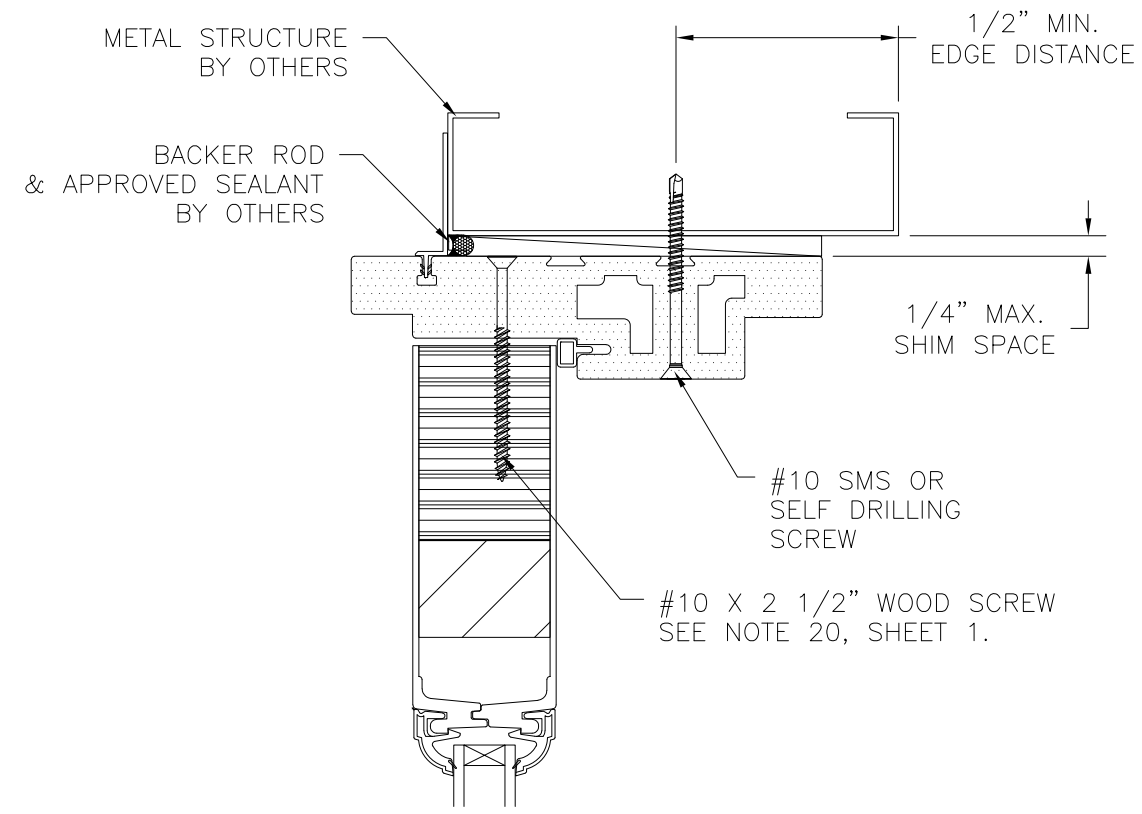
SIGNED: 12/20/2021

<p>NAN YA PLASTICS CORP. USA 8989 NORTH LOOP EAST HOUSTON, TX 77029</p>		
<p>SERIES SLPS 3/4 LITE FIBERGLASS OUT-SWING PATIO DOOR NON-IMPACT SIDELITE INSTALLATION DETAILS</p>		
DRAWN: N.G.	DWG NO. 08-02501	REV B
SCALE NTS	DATE 10/17/14	SHEET 9 OF 14
<p>L. ROBERTO LOMAS P.E. 1432 WOODFORD RD LEWISVILLE, NC 27023 434-688-0609 rllomas@rlomaspe.com</p>		

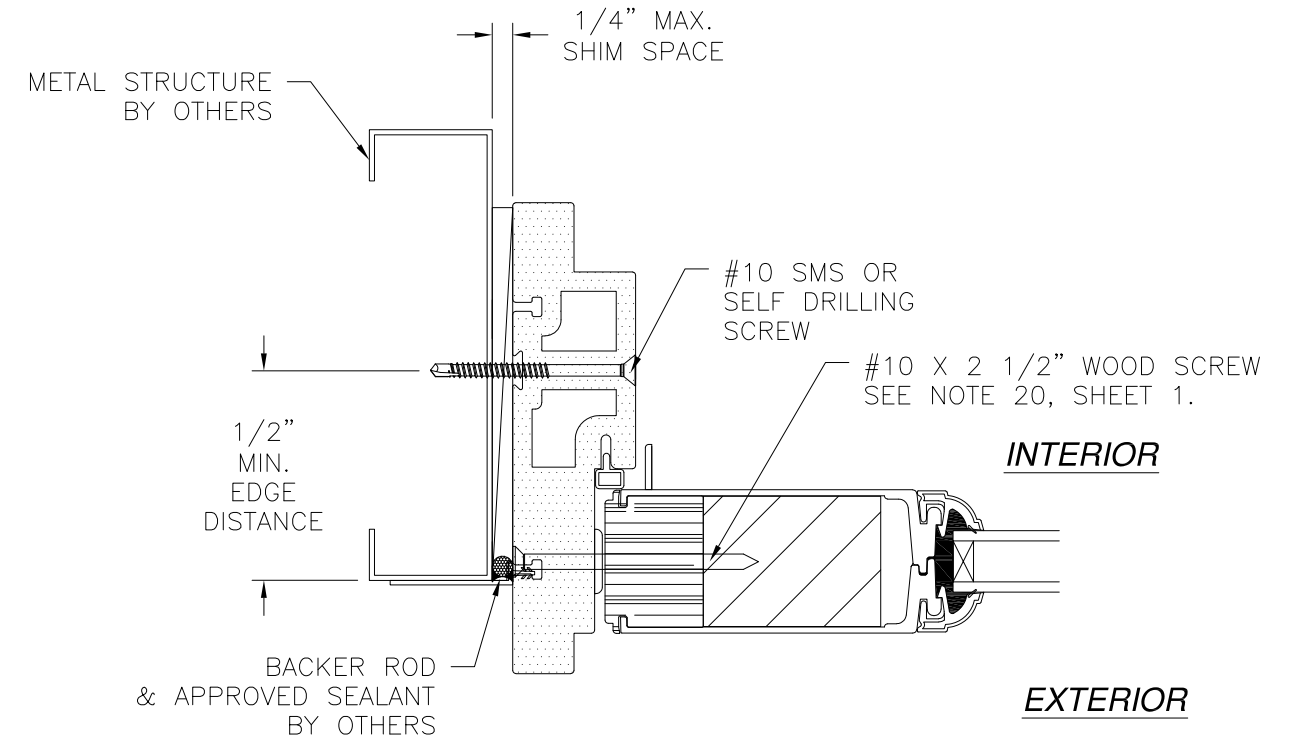


Luis R. Lomas P.E.
TX No.: 101889
Firm No: F-23130

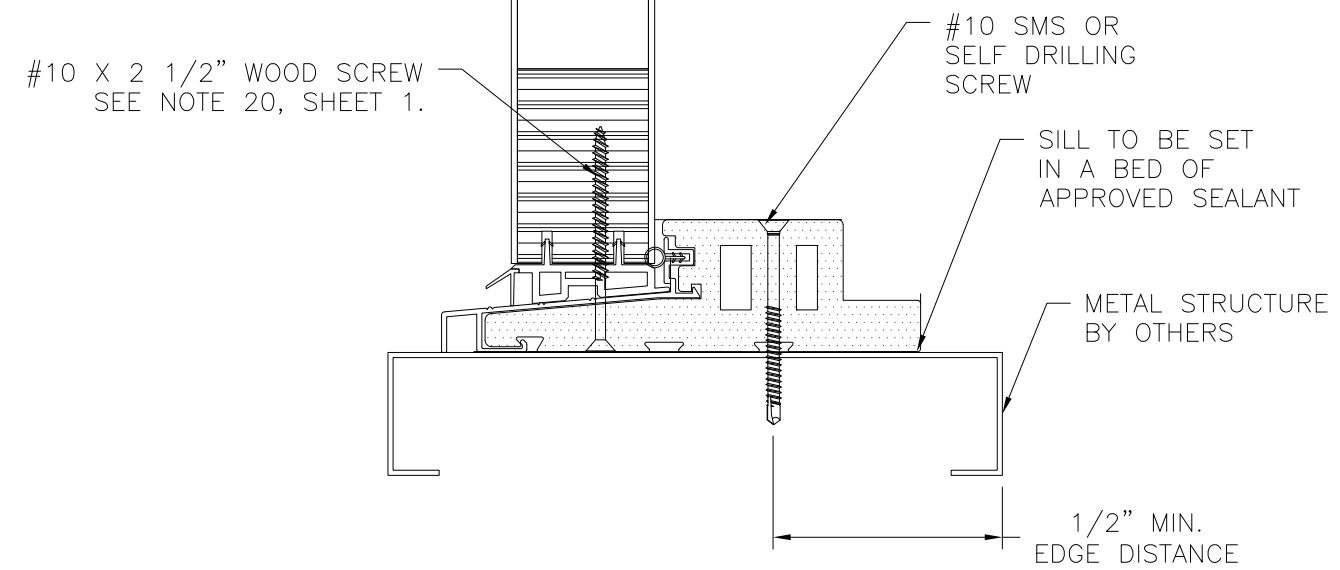
REVISIONS			
REV	DESCRIPTION	DATE	APPROVED
B	REVISED PER NEW CODE	12/20/2021	R.L.



EXTERIOR INTERIOR



SIDELITE INSTALLATION DETAILS
METAL STRUCTURE INSTALLATION



SIDELITE INSTALLATION DETAILS
METAL STRUCTURE INSTALLATION

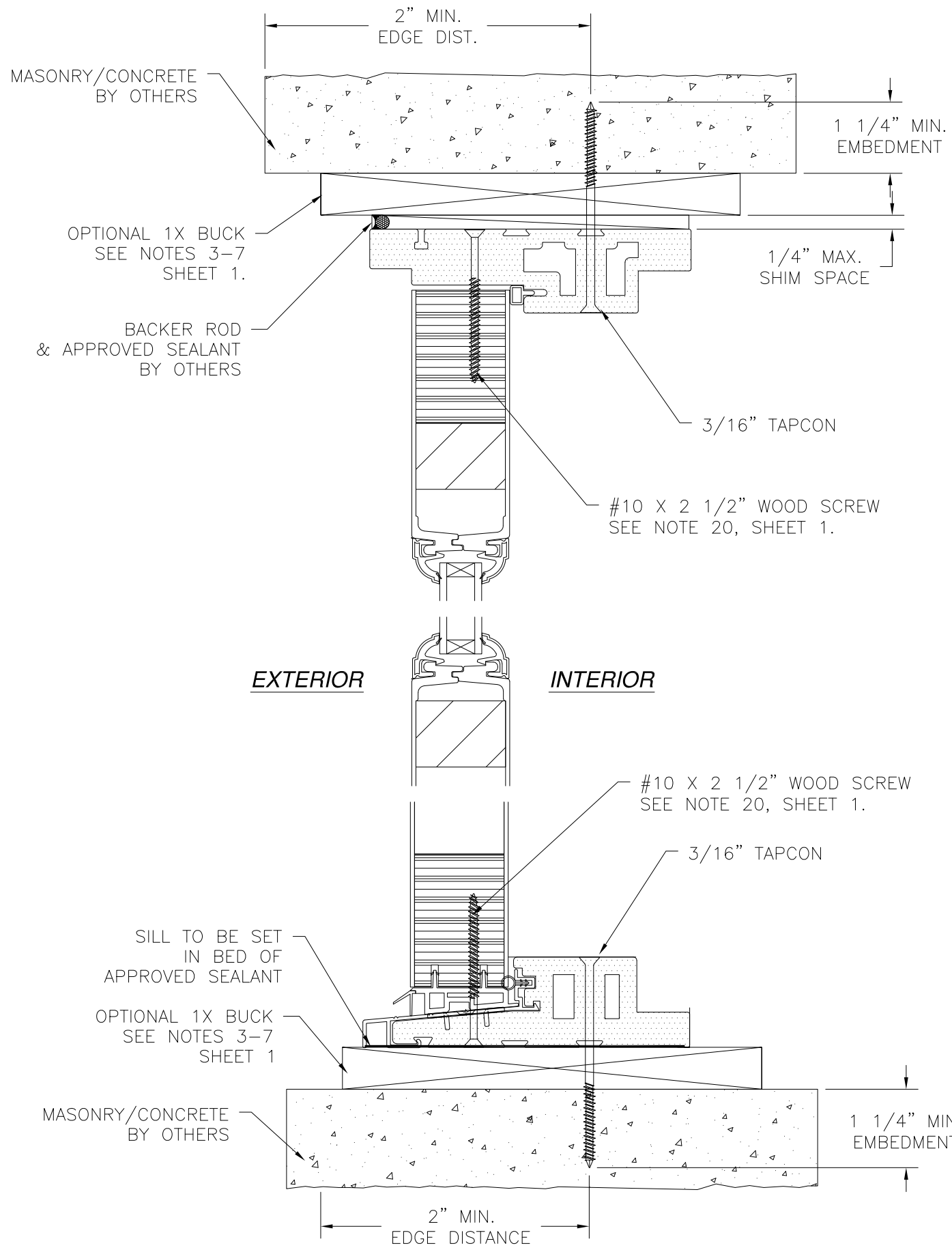
- NOTES:**
1. INTERIOR AND EXTERIOR FINISHES, BY OTHERS, NOT SHOWN FOR CLARITY.
 2. PERIMETER AND JOINT SEALANT BY OTHERS TO BE DESIGNED IN ACCORDANCE WITH ASTM E2112

SIGNED: 12/20/2021

<p>NAN YA PLASTICS CORP. USA 8989 NORTH LOOP EAST HOUSTON, TX 77029</p>		
<p>SERIES SLPS 3/4 LITE FIBERGLASS OUT-SWING PATIO DOOR NON-IMPACT SIDELITE INSTALLATION DETAILS</p>		
<p>DRAWN: N.G.</p>	<p>DWG NO. 08-02501</p>	<p>REV B</p>
<p>SCALE NTS</p>	<p>DATE 10/17/14</p>	<p>SHEET 10 OF 14</p>
<p>L. ROBERTO LOMAS P.E. 1432 WOODFORD RD LEWISVILLE, NC 27023 434-688-0609 rllomas@rlomaspe.com</p>		

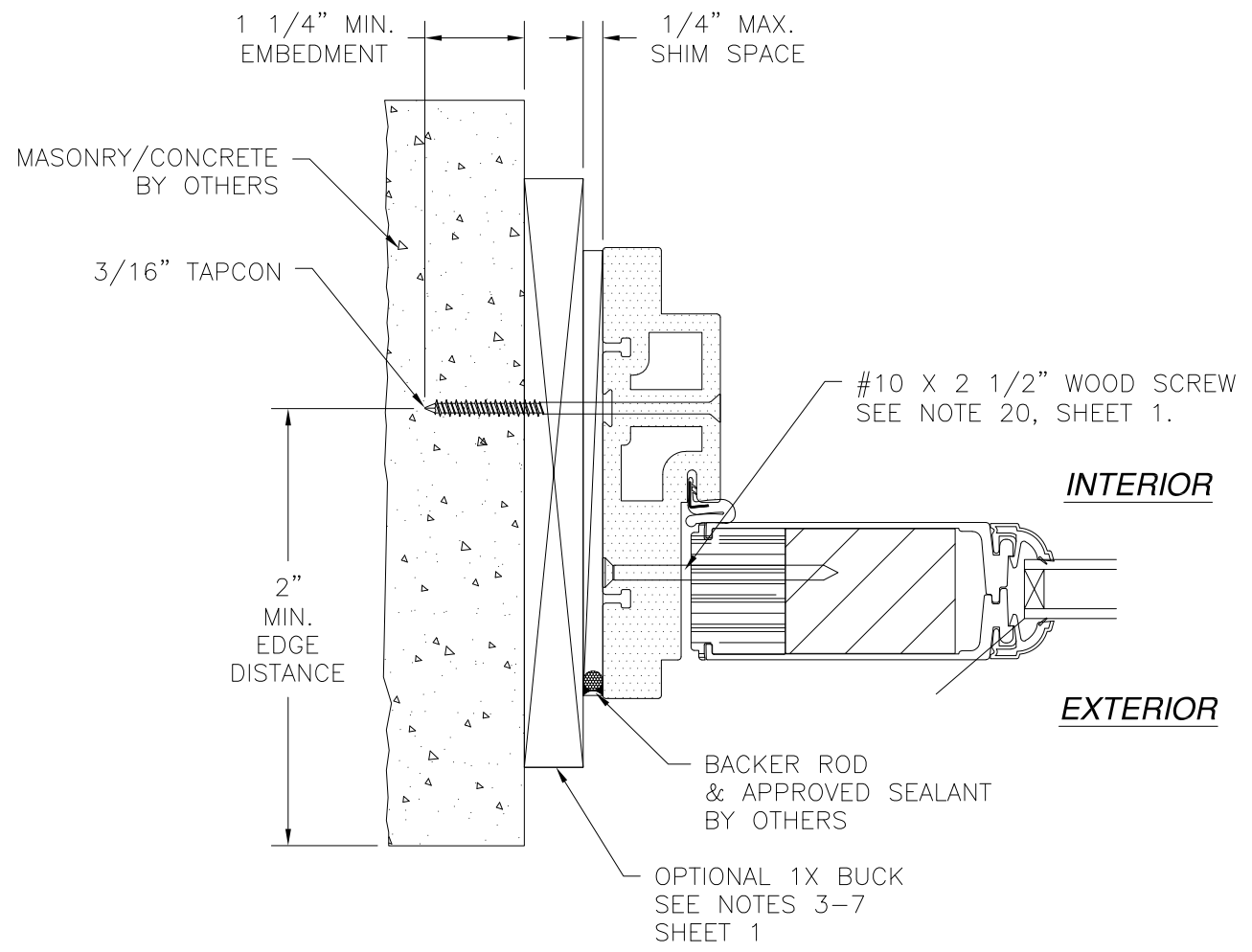


Luis R. Lomas P.E.
TX No.: 101889
Firm No: F-23130



SIDELITE INSTALLATION DETAILS
METAL STRUCTURE INSTALLATION

REVISIONS			
REV	DESCRIPTION	DATE	APPROVED
B	REVISED PER NEW CODE	12/20/2021	R.L.



- NOTES:**
1. INTERIOR AND EXTERIOR FINISHES, BY OTHERS, NOT SHOWN FOR CLARITY.
 2. PERIMETER AND JOINT SEALANT BY OTHERS TO BE DESIGNED IN ACCORDANCE WITH ASTM E2112

SIGNED: 12/20/2021

NAN YA PLASTICS CORP. USA
8989 NORTH LOOP EAST
HOUSTON, TX 77029

SERIES SLPS 3/4 LITE FIBERGLASS
OUT-SWING PATIO DOOR NON-IMPACT
SIDELITE INSTALLATION DETAILS

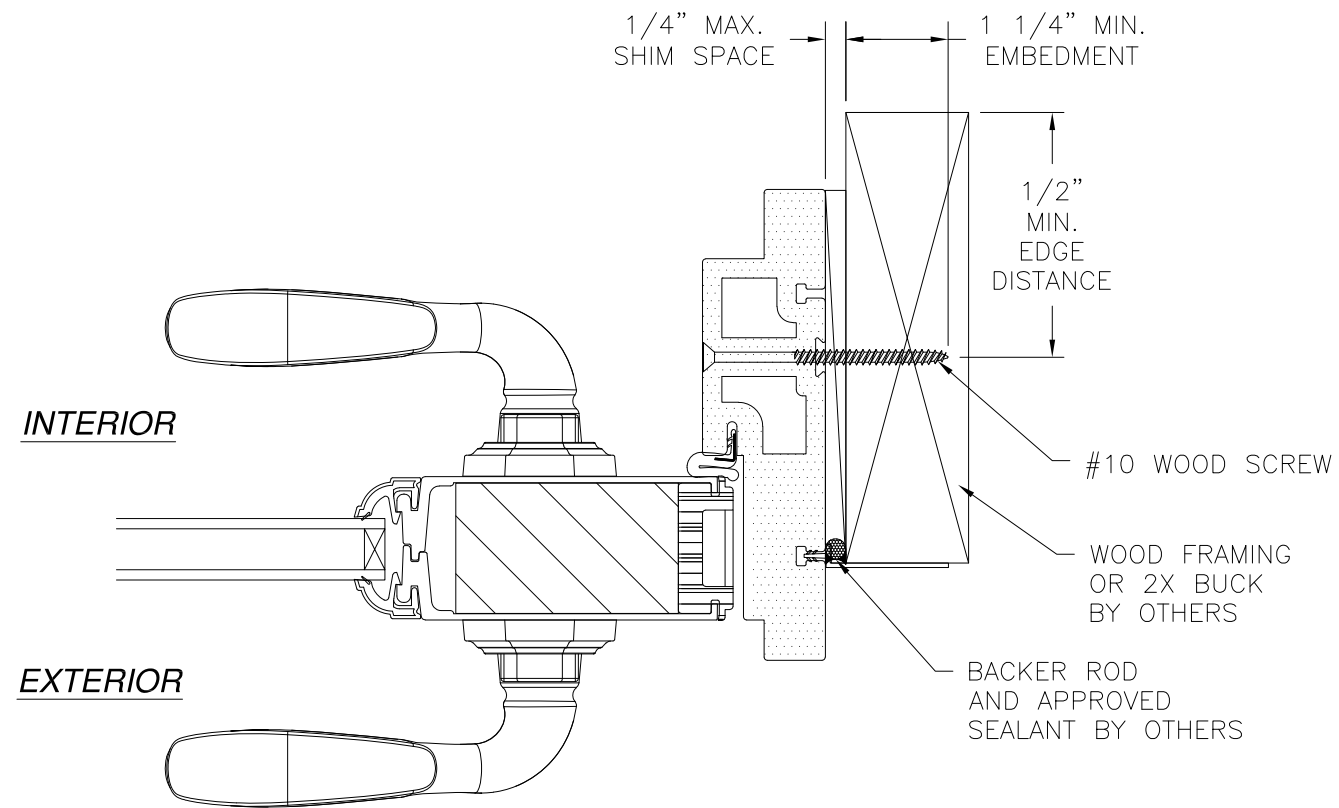
DRAWN: N.G.	DWG NO. 08-02501	REV B
SCALE NTS	DATE 10/17/14	SHEET 11 OF 14

L. ROBERTO LOMAS P.E.
1432 WOODFORD RD LEWISVILLE, NC 27023
434-688-0609 rllomas@rlomaspe.com

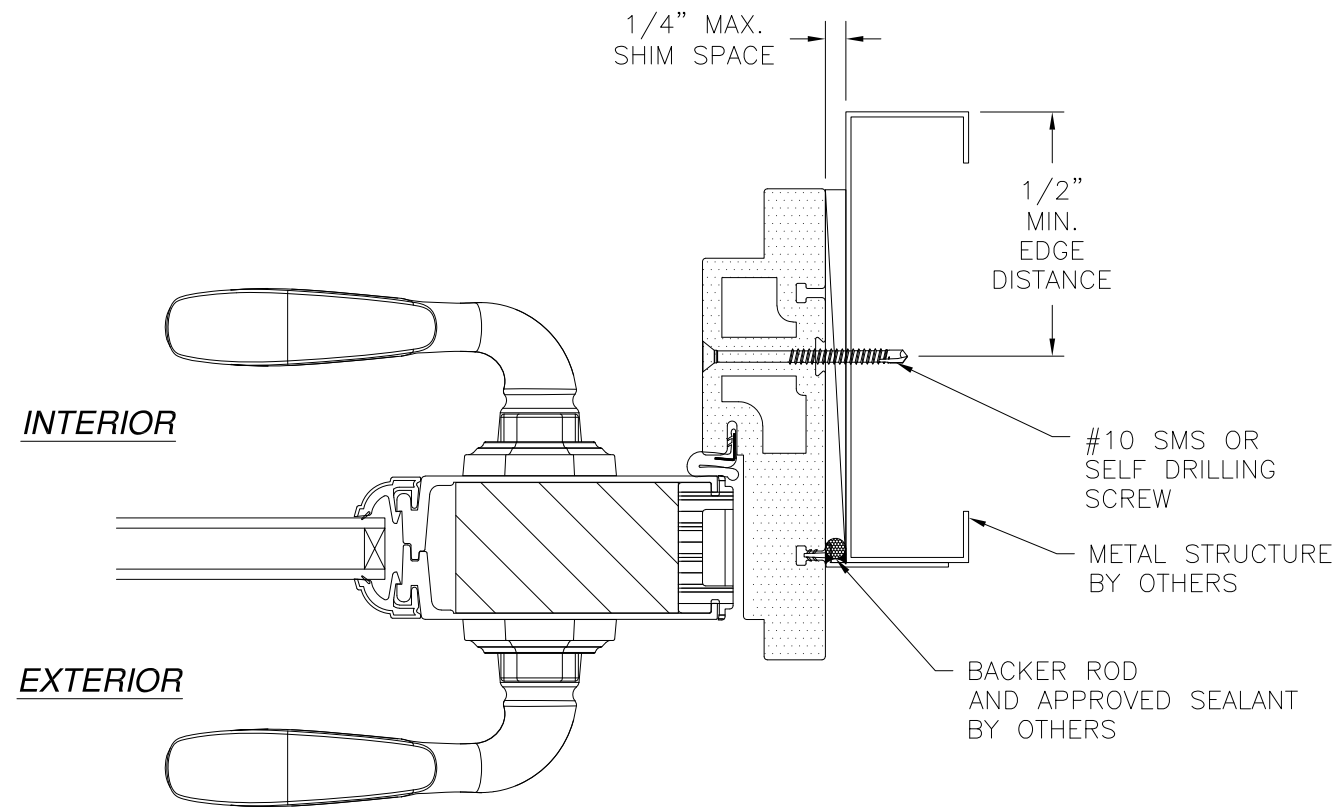


Luis R. Lomas P.E.
TX No.: 101889
Firm No: F-23130

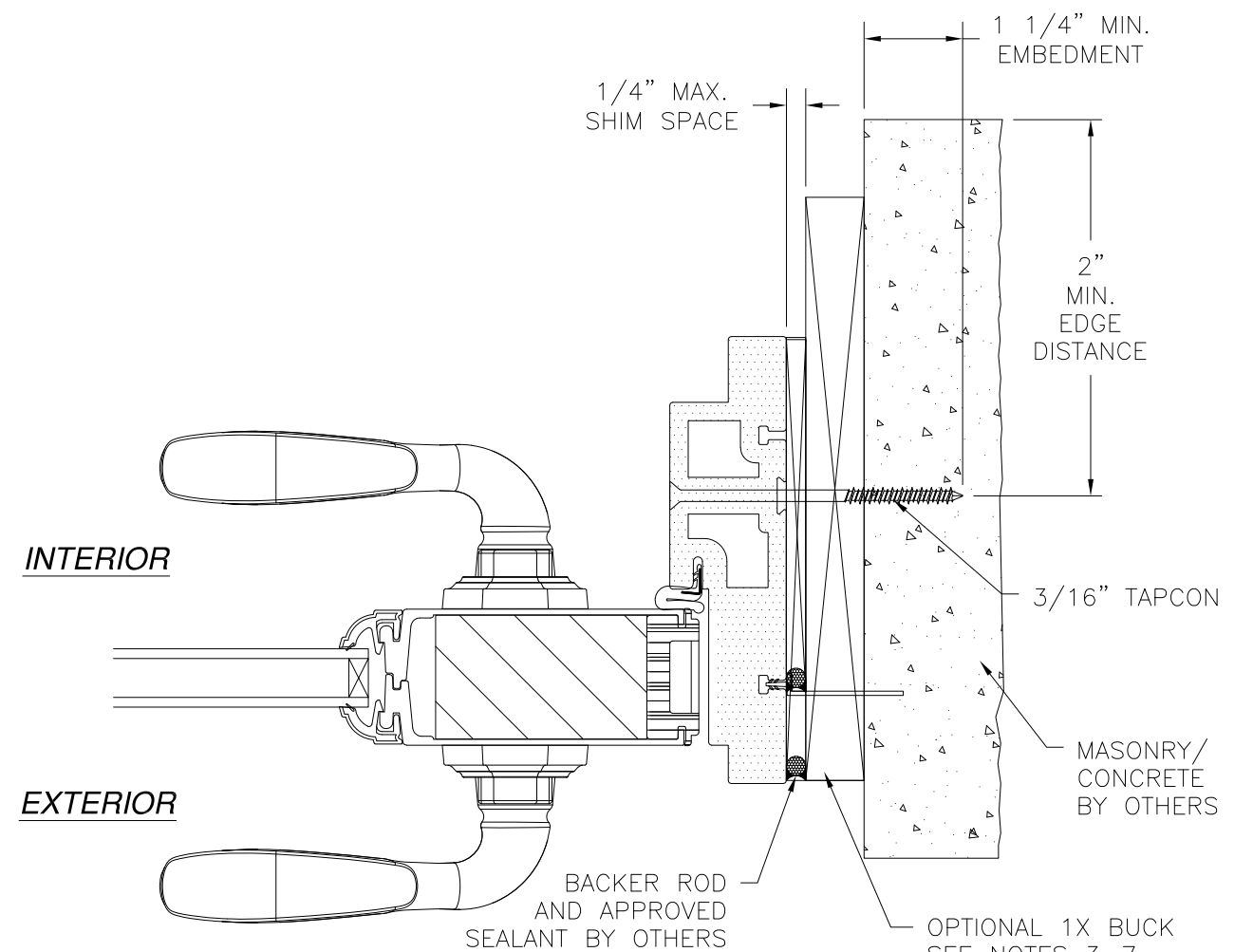
REVISIONS			
REV	DESCRIPTION	DATE	APPROVED
B	REVISED PER NEW CODE	12/20/2021	R.L.



**HORIZONTAL CROSS SECTION
STRIKE JAMB DETAIL
2X BUCK/WOOD FRAMING INSTALLATION**



**HORIZONTAL CROSS SECTION
STRIKE JAMB DETAIL
METAL STRUCTURE INSTALLATION**



**HORIZONTAL CROSS SECTION
STRIKE JAMB DETAIL
CONCRETE/MASONRY INSTALLATION**

NOTES:

1. INTERIOR AND EXTERIOR FINISHES, BY OTHERS, NOT SHOWN FOR CLARITY.
2. PERIMETER AND JOINT SEALANT BY OTHERS TO BE DESIGNED IN ACCORDANCE WITH ASTM E2112

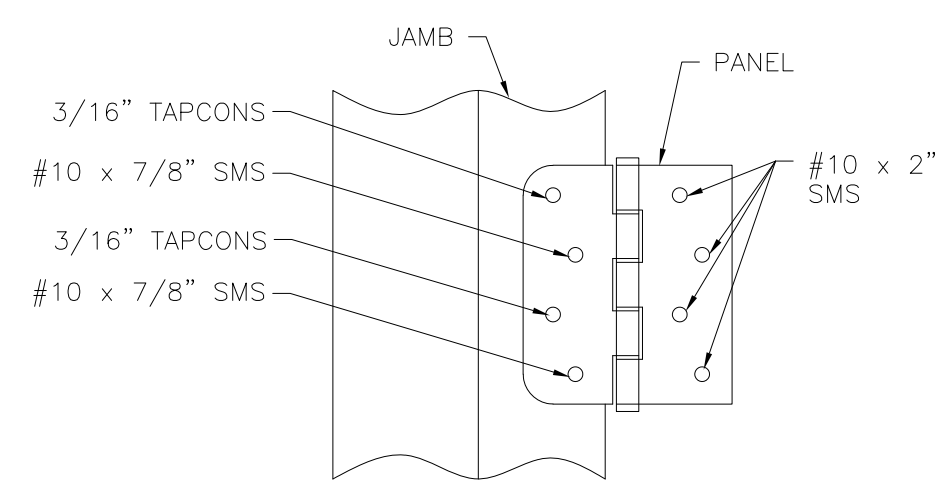
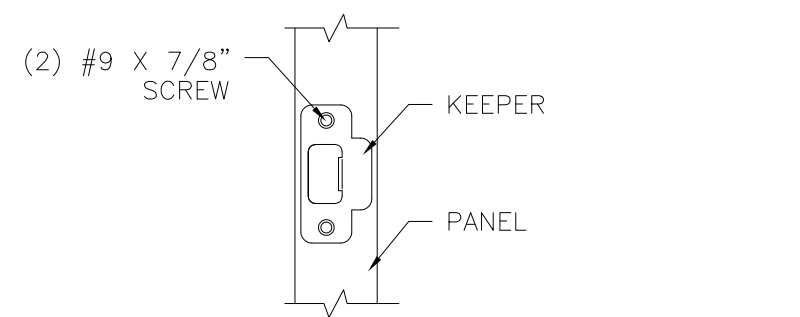
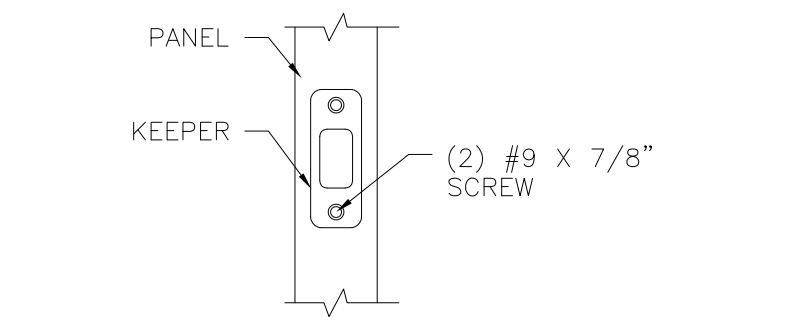
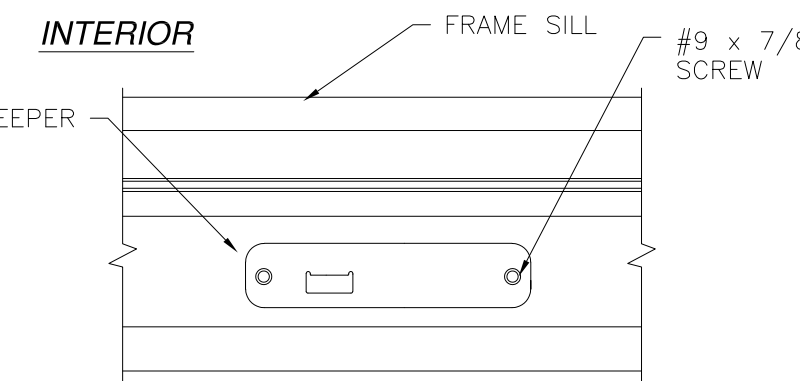
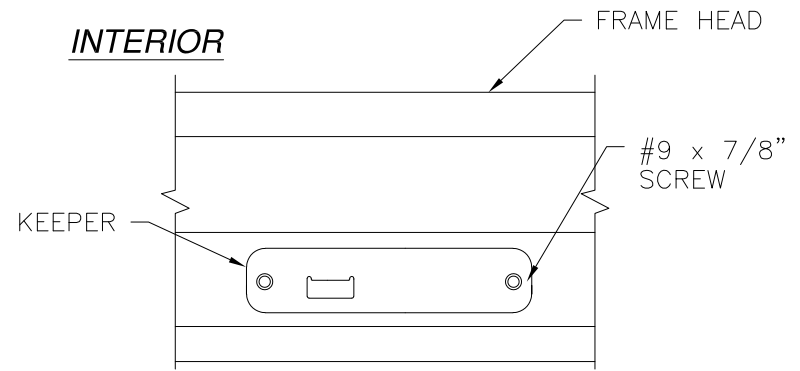
SIGNED: 12/20/2021

NAN YA PLASTICS CORP. USA 8989 NORTH LOOP EAST HOUSTON, TX 77029		
SERIES SLPS 3/4 LITE FIBERGLASS OUT-SWING PATIO DOOR NON-IMPACT INSTALLATION DETAILS		
DRAWN: N.G.	DWG NO. 08-02501	REV B
SCALE NTS	DATE 10/17/14	SHEET 12 OF 14
L. ROBERTO LOMAS P.E. 1432 WOODFORD RD LEWISVILLE, NC 27023 434-688-0609 rllomas@rlomaspe.com		

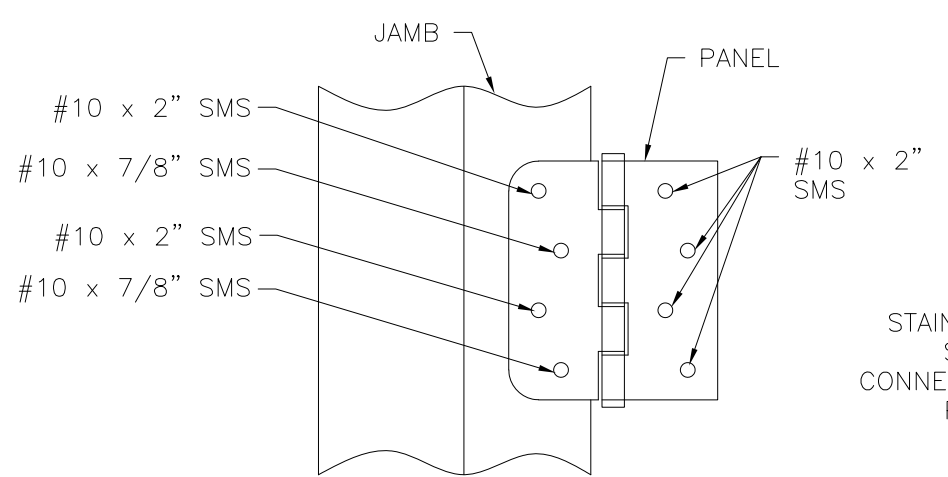


Luis R. Lomas P.E.
TX No.: 101889
Firm No: F-23130

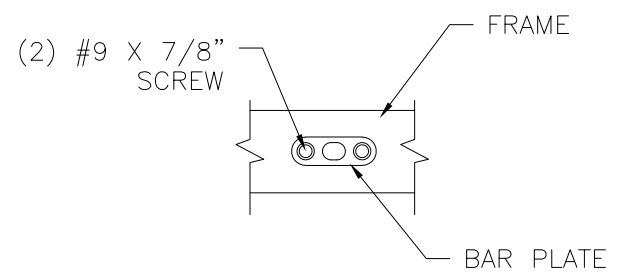
REVISIONS			
REV	DESCRIPTION	DATE	APPROVED
B	REVISED PER NEW CODE	12/20/2021	R.L.



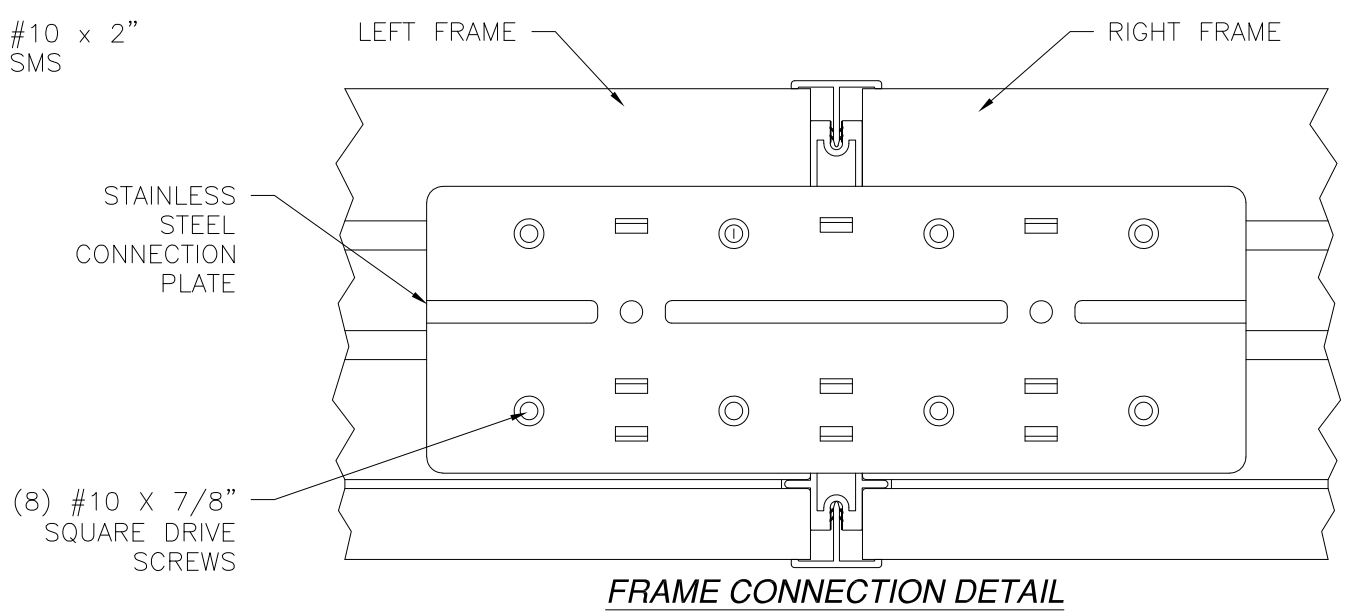
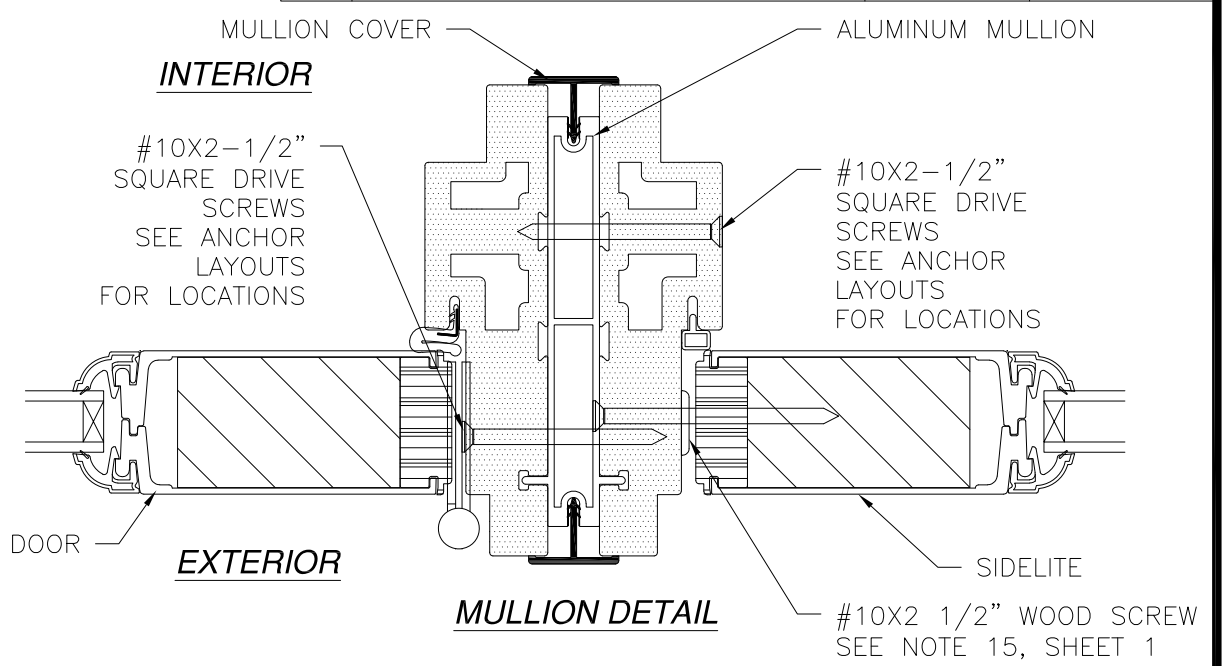
HINGE INSTALLATION DETAIL
MASONRY/CONCRETE INSTALLATION



HINGE INSTALLATION DETAIL
WOOD FRAMING INSTALLATION



DRIVE BAR PLATE DETAIL



SIGNED: 12/20/2021

NAN YA PLASTICS CORP. USA
8989 NORTH LOOP EAST
HOUSTON, TX 77029

SERIES SLPS 3/4 LITE FIBERGLASS
OUT-SWING PATIO DOOR NON-IMPACT
INSTALLATION DETAILS

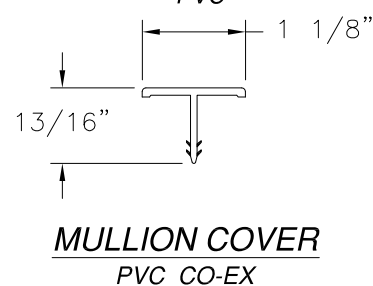
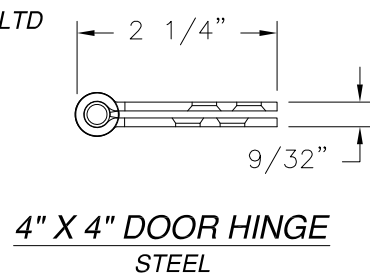
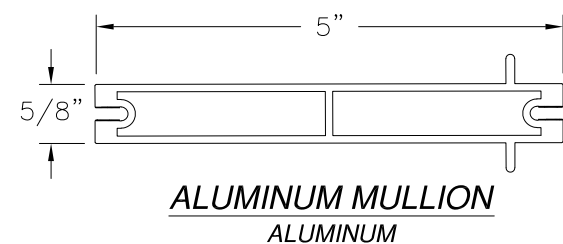
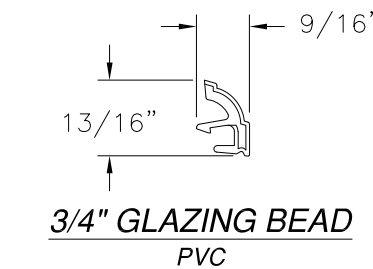
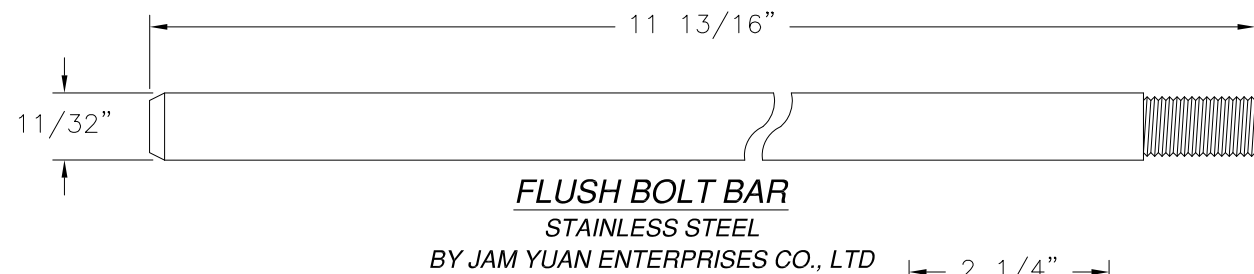
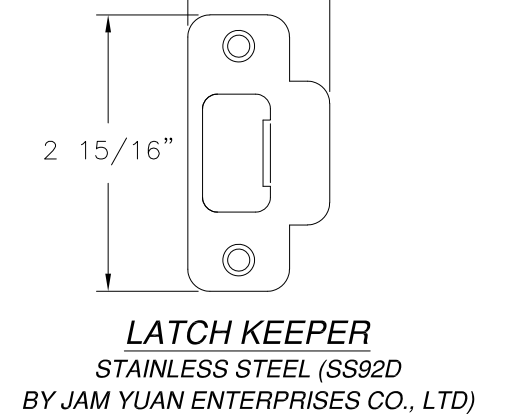
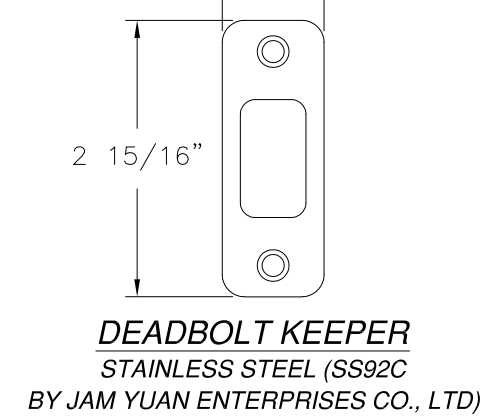
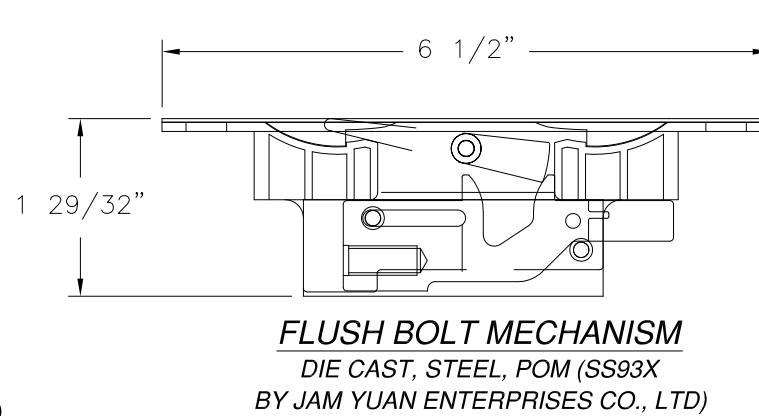
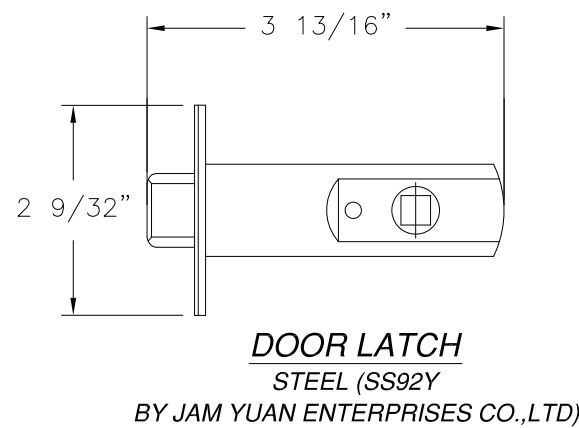
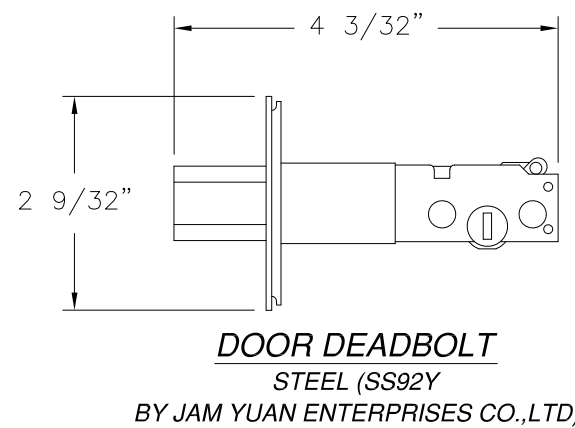
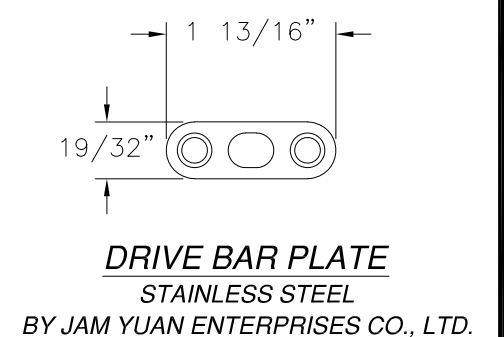
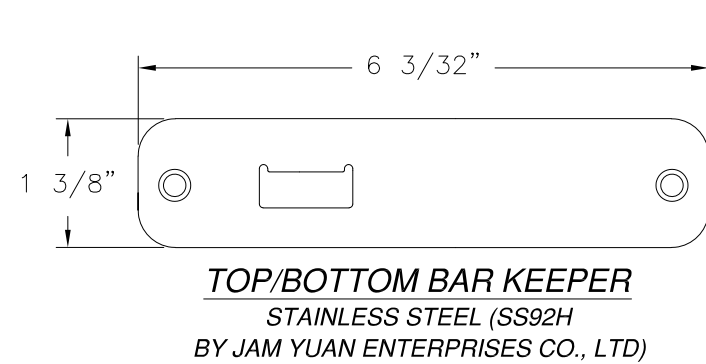
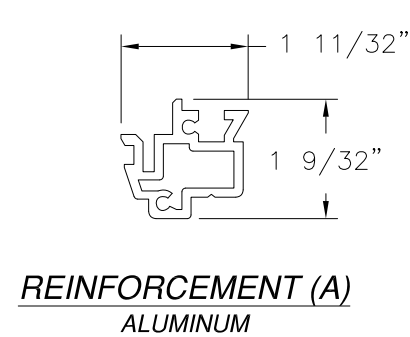
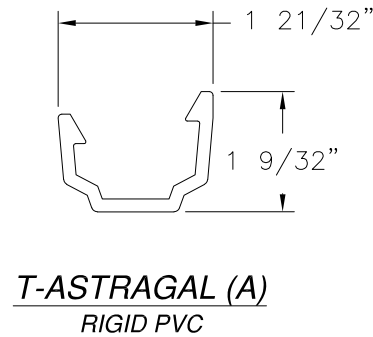
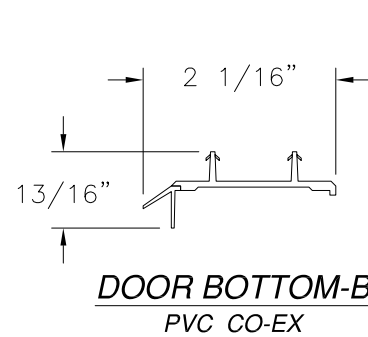
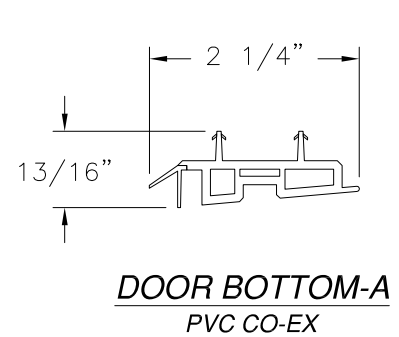
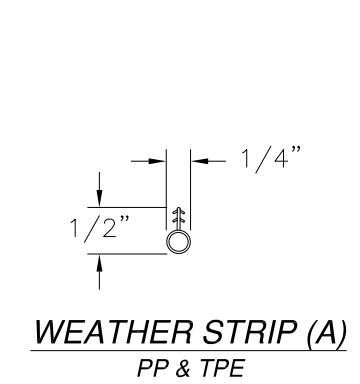
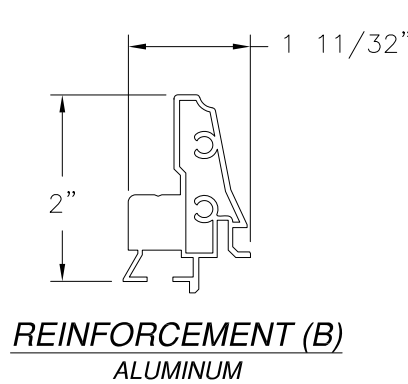
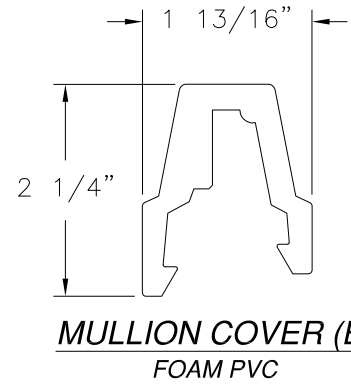
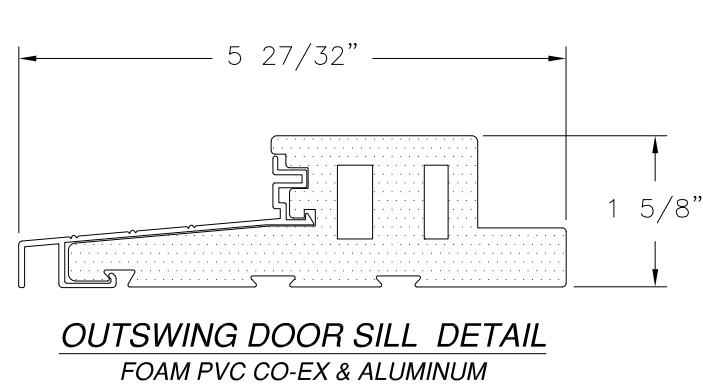
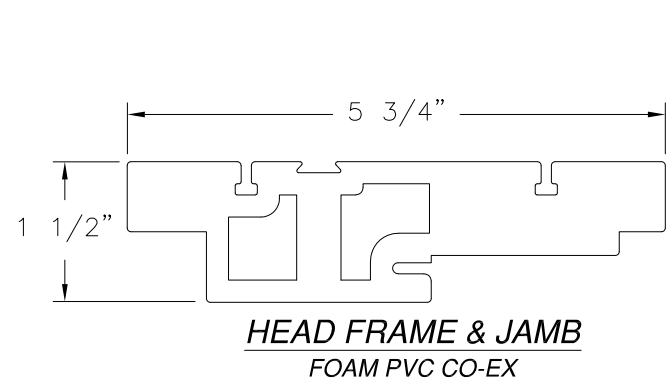
DRAWN: N.G.	DWG NO. 08-02501	REV B
SCALE NTS	DATE 10/17/14	SHEET 13 OF 14

L. ROBERTO LOMAS P.E.
1432 WOODFORD RD LEWISVILLE, NC 27023
434-688-0609 rllomas@rlomaspe.com



Luis R. Lomas P.E.
TX No.: 101889
Firm No: F-23130

REVISIONS			
REV	DESCRIPTION	DATE	APPROVED
B	REVISED PER NEW CODE	12/20/2021	R.L.



SIGNED: 12/20/2021

NAN YA PLASTICS CORP. USA
8989 NORTH LOOP EAST
HOUSTON, TX 77029

SERIES SLPS 3/4 LITE FIBERGLASS
OUT-SWING PATIO DOOR NON-IMPACT
COMPONENTS

DRAWN: N.G.	DWG NO. 08-02501	REV B
SCALE NTS	DATE 10/17/14	SHEET 14 OF 14

L. ROBERTO LOMAS P.E.
1432 WOODFORD RD LEWISVILLE, NC 27023
434-688-0609 rllomas@rlomaspe.com



Luis R. Lomas P.E.
TX No.: 101889
Firm No: F-23130