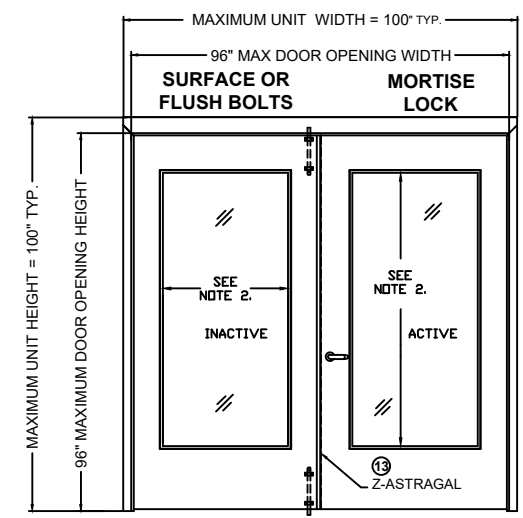
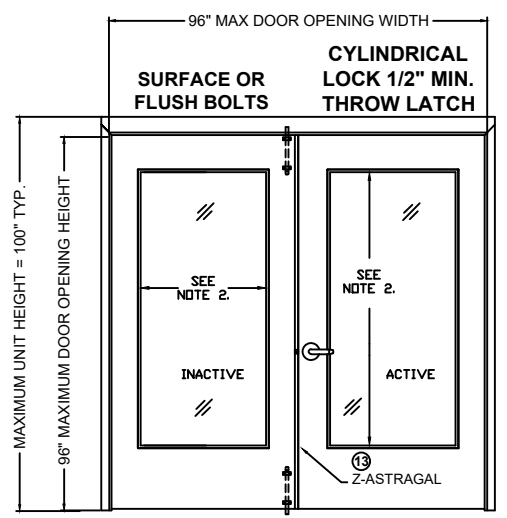


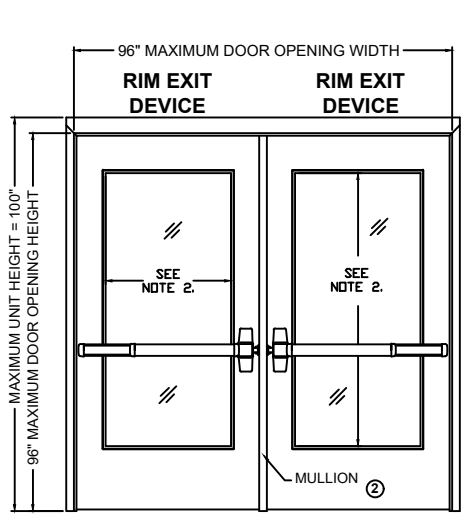
REVISIONS			
LTR	DESCRIPTION	DATE	APPROVED
A	APPROVAL DWG	JPD 02/14/17	
B	2018 IBC UPDATE	05/03/21	
C	LOCK UPDATE	CA 06/15/22	



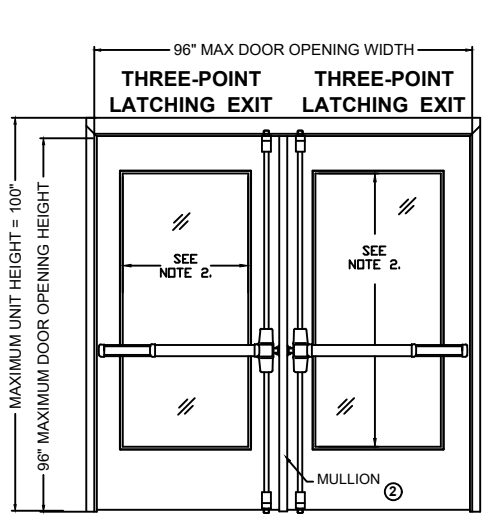
DESIGN PRESSURE RATING, PSF	
CONFIG.	OUTSWING
GD1	+50 / -40
	INSWING
	+40 / -50



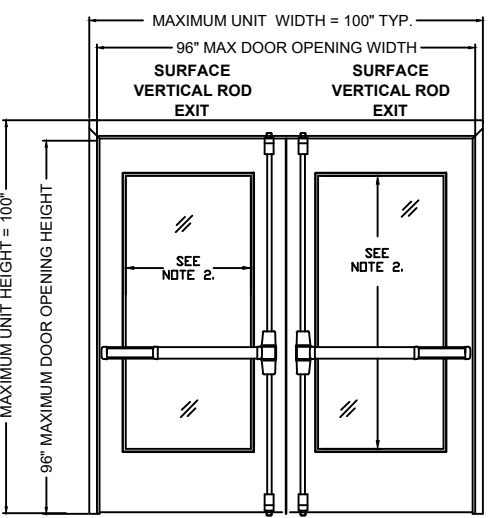
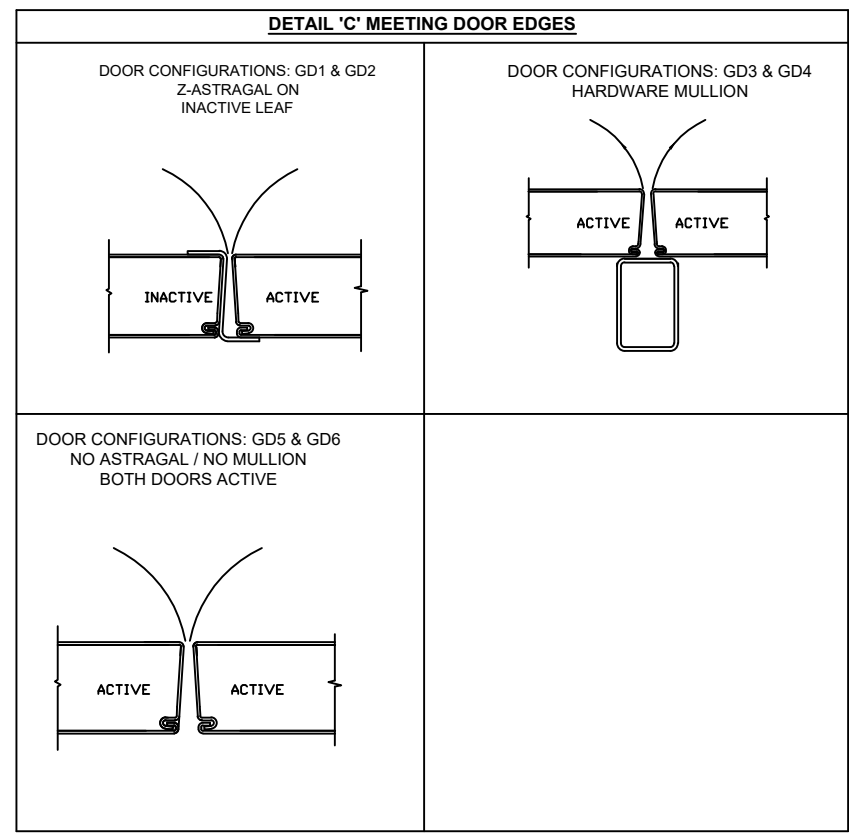
DESIGN PRESSURE RATING, PSF	
CONFIG.	OUTSWING
GD2	+50 / -40
	INSWING
	+40 / -50



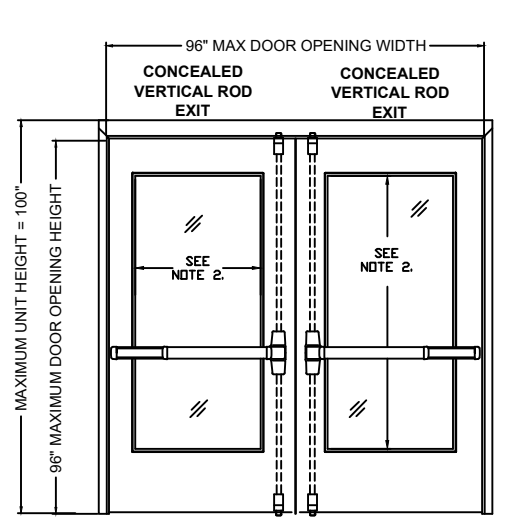
DESIGN PRESSURE RATING, PSF	
CONFIG.	OUTSWING
GD3	+50 / -40
	INSWING
	+40 / -50



DESIGN PRESSURE RATING, PSF	
CONFIG.	OUTSWING
GD4	+50 / -40
	INSWING
	+40 / -50



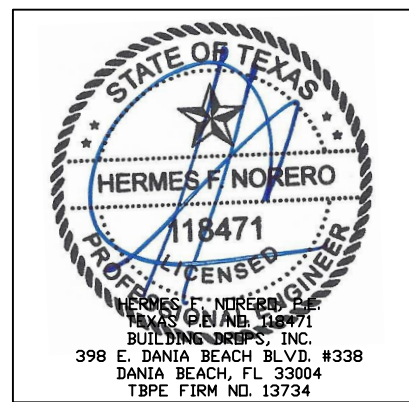
DESIGN PRESSURE RATING, PSF	
CONFIG.	OUTSWING
GD5	+50 / -40
	INSWING
	+40 / -50



DESIGN PRESSURE RATING, PSF	
CONFIG.	OUTSWING
GD6	+50 / -40
	INSWING
	+40 / -50

COMPLIANCE STATEMENT:
 1. THESE PRODUCTS HAVE BEEN TESTED TO ASTM PROTOCOL E330-14 AND COMPLY WITH THE 2018 IBC & IRC.

- NOTES:**
- INTERIOR VIEWS ARE SHOWN FOR ALL ELEVATIONS
 - SEE TABLE 1 ON SHEET 2 AND TABLE 2 SHEET 3 FOR GLAZING SIZE & HARDWARE OPTIONS, APPLICATIONS AND LIMITATIONS.
 - SEE SHEETS 4 & 10 FOR HINGE REQUIREMENTS AND OPTIONS
 - SEE SHEET 5 FOR ANCHORING TYPES AND INSTALLATION REQUIREMENTS
 - SEE SHEETS 4 AND 5 FOR SILL INSTALLATION INFORMATION
 - SEE SHEET 6 FOR WEATHERSTRIPPING INSTALLATION DETAILS
 - SEE SHEETS 1 THROUGH 4 FOR MAXIMUM OVERALL DOOR UNIT SIZES
 - SEE SHEETS 4 AND 9 FOR GLAZING OPTIONS AND DETAILS

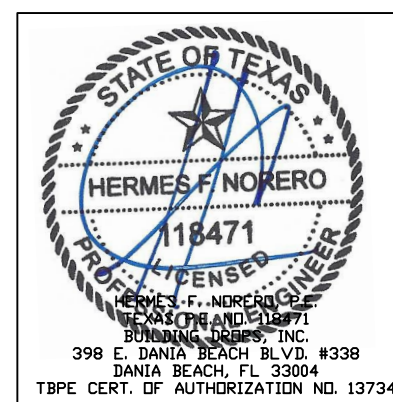


BEND RADIUS		SCHLAGE LOCK COMPANY, LLC 11819 N. PENNSYLVANIA STREET CARMEL, IN 46032	
THIRD ANGLE PROJECTION		TITLE: STEELCRAFT OUTSWING OR INSWING GLAZED COMMERCIAL STEEL DOUBLE DOORS WITH AND WITHOUT PANIC EXIT DEVICES	
DRAWN JPD	DATE 02/14/17	OUTSWING OR INSWING GLAZED DOUBLE DOOR AND HARDWARE CONFIGURATIONS - NON IMPACT	
CHECKED		SIZE	REV
APPROVED		FLAT	DWG NO.
ENG. APPVL X	x		GDDA330
		SCALE: NTS	AUTOCAD
			C 6-15-22
			SHEET 1 OF 10

REVISIONS

LTR	DESCRIPTION	DATE	APPROVED
A	APPROVAL DWG	JPD 02/14/17	
B	2018 IBC UPDATE	05/03/21	
C	LOCK UPDATE	CA 06/15/22	

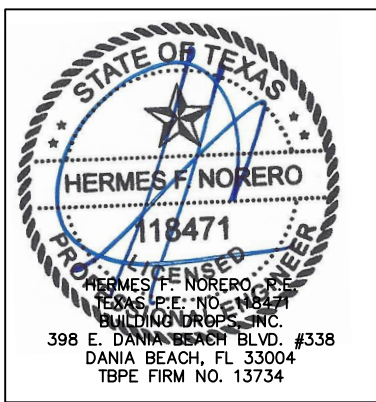
Door Configuration	Maximum Design Pressure, PSF		Maximum Door Opening Size, in.		Maximum Exposed Glazing Size (DLO)*, in.		TABLE 1 Locking Hardware Description				Comments
	OUTSWING	INSWING	Width	Height	Width	Height	Hardware Family	Model/Series	Strike Models	Additional Hardware Information	
GD1	+50 / -40	+40 / -50	96	96	34.25 in.	74.5 in.	Schlage Mortise Lock	L/LV9000 AD-MS / CO-MS LE-MS, LEB-MS, LE-MB, LEB-MB	Standard	Inactive Leaf Ives Flush Bolts - FB31P or FB51P Ives Surface Bolts - SB360, SB453 & SB1630	Function without deadbolt, 3/4" min. throw latch
								Falcon Mortise Lock			
							Schlage Mortise Lock	L/LV9400 AD-MD / CO-MD LE-MD, LEB-MD	Standard	Inactive Leaf Ives Flush Bolts - FB31P or FB51P Ives Surface Bolts - SB360, SB453 & SB1630	Function with 1" deadbolt, 3/4" min. throw latch
								Falcon Mortise Lock			
GD2	+50 / -40	+40 / -50	96	96	34.25 in.	74.5 in.	Schlage Cylindrical Lock	ND/NDE/NDEB/A/AL/S AD-CY / CO-CY	Standard	Inactive leaf Ives Flush Bolts - FB31P or FB51P Ives Surface Bolts - SB360, SB453 & SB1630	1/2' min. throw latch
								ALX			1/2' min. throw latch (13-247, 14-028, 14-042)
							Falcon Cylindrical Lock	B/X	1/2' min. throw latch		
								T, TA	1/2' min. throw latch (23981145)		
GD3	+50 / -40	+40 / -50	96	96	34.25 in.	74.5 in.	Von Duprin Rim Exit Device	22 & 22-F	Strike x Mullion Applications: Steel Mullions:299/299-F x 4954, 299/299-F, 499-F x 9954,1606 x 1654 Aluminum Mullions:299/299-F x 5654,1408 x 5754	(KR) option available for steel mullions	
								98/99 & 98/99-F			
								33A/35A & 33A/35A-F			Strike x Mullion Applications: Steel Mullions:299/299-F x 4954, 299/299-F, 499-F x 9954, 1606 x 1654 Aluminum Mullions:299/299-F x 5654,1408 x 5754
								88 & 88-F			Strike x Mullion Applications: Steel Mullions:299/299-F x 4954, 299/299-F, 268/468 x 9954,1606 x 1654
							Falcon Rim Exit Device	55	Strike x Mullion Applications: Aluminum Mullions:1408 x 5754		
Falcon Rim Exit Device	19-R & F-19-R	Strike x Mullion Applications: Steel Mullions F570/F490 x 2923, F570/F490 x 4023, F570/F490 x F4023	(KR) option available for 4023 & F4023 mullions								
GD4	+50 / -40	+40 / -50	96	96	34.25 in.	74.5 in.	Von Duprin Three-Point Latching Device	98/9957 & 98/9957-F	Top Strike: 299/299-F Center Strike x Mullion Applications: Steel Mullions:299/299-F x 4954, 299/299-F, 499-F x 9954,1606 x 1654 Aluminum Mullions:299/299-F x 5654,1408 x 5754 Bottom strike: 304L	(KR) option available for steel mullions	



BEND RADIUS		SCHLAGE LOCK COMPANY, LLC 11819 N. PENNSYLVANIA STREET CARMEL, IN 46032	
THIRD ANGLE PROJECTION		TITLE: STEELCRAFT OUTSWING OR INSWING GLAZED COMMERCIAL STEEL DOUBLE DOORS WITH AND WITHOUT PANIC EXIT DEVICES	
DRAWN JPD	DATE 02/14/17	OUTSWING OR INSWING GLAZED DOUBLE DOOR AND HARDWARE CONFIGURATIONS - NON IMPACT	
CHECKED		SIZE	FLAT
APPROVED		DWG NO.	REV
ENG. APPVL X	x	GDDA330	C 6-15-22
SCALE: NTS		AUTOCAD	SHEET 2 OF 10

Door Configuration	Maximum Design Pressure, PSF		Maximum Door Opening Size, in.		Maximum DLO Size, in. (NOTE 3)		TABLE 2 Locking Hardware Description				Comments
	Outswing	Inswing	Width	Height	Width	Height	Hardware Family	Model/Series	Strike Models	Brand	
GD5	+50 / -40	+40 / -50	96	96	34.25	74.5	Surface Vertical Rod Exit Device	2227 & 2227-F	Top:299/299-F Bottom:304L	Von Duprin	
								33/3527A & 33/3527A-F			
								8827			
								98/9927 & 98/9927-F			
GD6	+50 / -40	+40 / -50	96	96	34.25	74.5	Concealed Vertical Rod Exit Device	33/3547A, 33/3547A-F & HH33/3547A	Top:338 Bottom:304L	Von Duprin	HH33/3547 & HH98/9947 devices have a 2-3/4" backset
								98/9947, 98/9947-F & HH98/9947			
								94/9547 & 94/9547-F			
								5547	Top:471U Bottom:304L		
								XX-C & F-XX-C	Top:4188 Bottom:2130	Falcon	

REVISIONS			
LTR	DESCRIPTION	DATE	APPROVED
A	APPROVAL DWG	JPD 02/14/17	
B	2018 IBC UPDATE	05/03/21	
C	LOCK UPDATE	CA 06/15/22	



BEND RADIUS		SCHLAGE LOCK COMPANY, LLC 11819 N. PENNSYLVANIA STREET CARMEL, IN 46032			
THIRD ANGLE PROJECTION		TITLE: STEELCRAFT OUTSWING OR INSWING GLAZED COMMERCIAL STEE DOUBLE DOORS WITH AND WITHOUT PANIC EXIT DEVICES			
DRAWN JPD	DATE 02/14/17	OUTSWING OR INSWING GLAZED DOUBLE DOOR AND HARDWARE CONFIGURATIONS - NON IMPACT			
CHECKED		SIZE	FLAT	DWG NO. GDDA330	REV C 6-15-22
APPROVED		SCALE: NTS	AUTOCAD		SHEET 3 of 10
ENG. APPVL X	x				

REVISIONS

LTR	DESCRIPTION	DATE	APPROVED
A	APPROVAL DWGS.	JPD 02/14/17	
B	2018 IBC UPDATE	05/03/21	
C	LOCK UPDATE	CA 06/15/22	

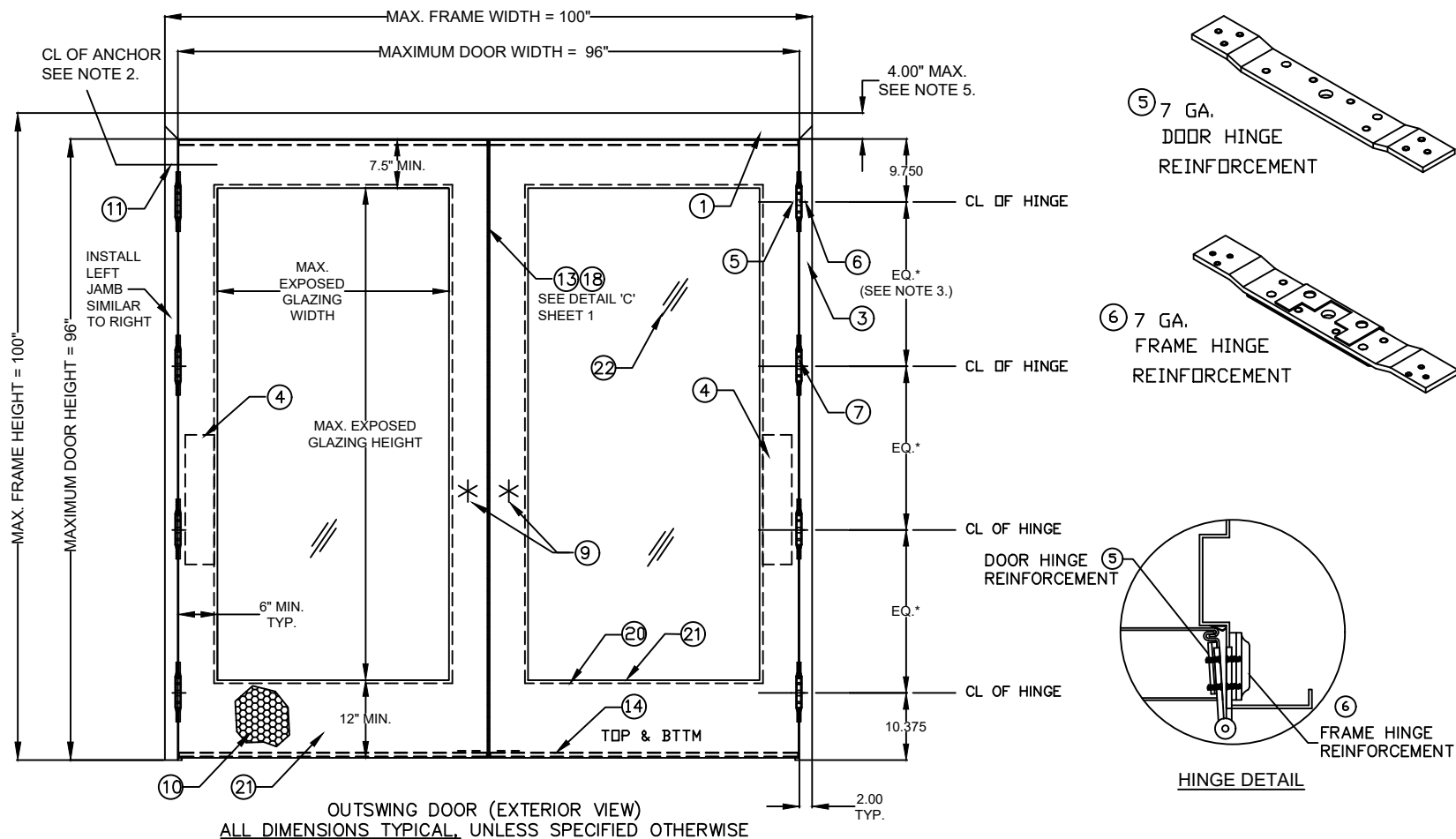
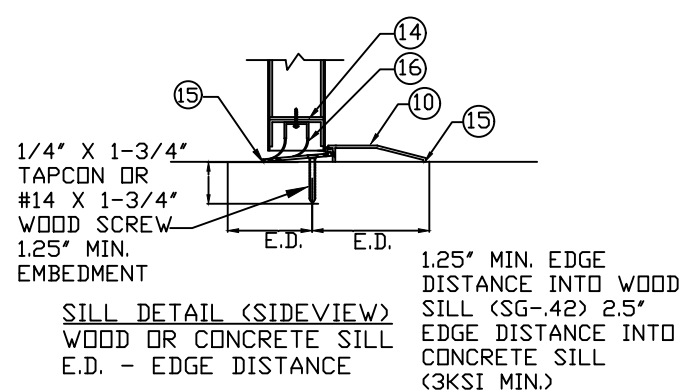
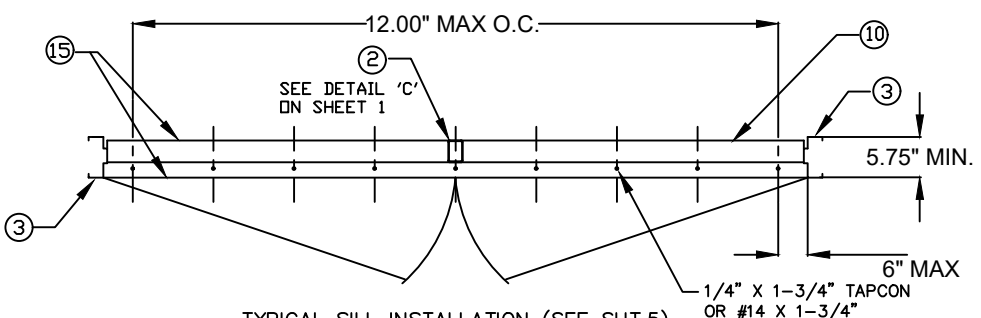
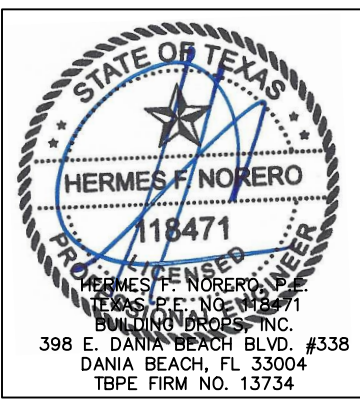


TABLE 3

QTY	DESCRIPTION	MATERIAL	SIZE
1	HEAD SEE SHT 7 ASTM A366	.053" MIN. STL.	MAX. 100"
2	HARDWARE MULLION USED W/RIM EXIT DEVICE	STL. OR ALUM.	MAX. 96" HEIGHT.
3	HINGE JAMB SEE SHT 7 ASTM A366	.053" MIN. STL.	MAX. 100" HEIGHT.
4	HINGE SIDE PANIC REINFORCEMENT- WHEN REQUIRED	.067" MIN. STL.	MAX. 20"
5	NOTE 3. HINGE REINFORCEMENT DOOR ASTM A621	.167" MIN. STL.	1.23' X 9.19' MIN.
6	NOTE 3. HINGE REINFORCEMENT FRAME ASTM A621	.167" MIN. STL.	1.5' X 9.19' MIN.
7	NOTE 3. 4.5' X 4.5' BUTT HINGES (SEE SHT.10)	.134 MIN.	(8) #12-24 MS PER HINGE
	OPTIONAL CONTINUOUS HINGE (SEE SHT.10)	.750" MIN. STL/.12 ALUM.	MAX. 95"
8	CORE MATERIAL (SHT9): D) HONEYCOMB C) STEEL STIFFENED A/F) POLYSTYRENE B/F) POLYURETHANE/POLYISOCYANURATE E) MINERAL BOARD TEMPERATURE RISE CORE		
9	LOCKING HARDWARE - SEE SHEETS 2 & 3		
	THRESHOLD SILL W/BUMPER GASKET (SEE SHT.6)		
10	ZERO 566 DR 65	.125" ALUM. 6063 T5	5.50'X0.5'X96"MAX.
	NAT'L GUARD 950A	.078" ALUM. 6063 T5	
	PEMKO 2005	.125" ALUM. 6063 T5	
11	NOTE 2. JAMB ANCHOR ASTM A924	SEE SHEET 5	
12	DOOR SLAB (18, 16 DR 14 GA)	SEE SHEET 8	4' X 8' MAX.
13	Z-ASTRAGAL (NOT REQ'D WITH HOLLOW METAL MULLION)	0.067" MIN. STEEL	
14	END CHANNEL ASTM A924 (14 GA - INVERTED)		.69' X 1.66' X 47.66' MAX.
15	AS NEEDED CAULK-BUTYL RUBBER OR SILICONE		MAX. 95.625'
16	STEELCRAFT FAS-SEAL DOOR SWEEP - OPTIONAL	TPE	MAX. 47.66'
	ZERO INT'L SEAL A)8150S B)117S C)188S	SILICONE	MAX. 24'
17	NOTE 9. ZERO INT'L SEAL D)8145S E)8042S	SILICONE	MAX. 24'
	STEELCRAFT WEATHER STRIPPING F)PS074	TPE	MAX. 24'
	A) ZERO INT'L 328 SERIES SPLIT ASTRAGAL	TPE	MAX. 96'
18	B) NGP 137 SERIES SPLIT ASTRAGAL	TPE	MAX. 96'
	C) PEMKO 303 SERIES SPLIT ASTRAGAL	TPE	MAX. 96'
19	TOP CAP GALV. A60 ASTM A924 - OPTIONAL	.020" MIN. STL	0.5' X 1.76' X 48' MAX.
20	4 MIN. CUTOUT REINFORCEMENT CHANNEL	.042" MIN.	MAX. 78"
21	GLASS LIGHT TRIM OPTIONS SEE SHT. 9		
	1) STEELCRAFT DESIGNER TRIM	.032" MIN.	34.25' X 74.5' EXPOSED GLASS
	2) STEELCRAFT STEEL TRIM		
22	GLAZING OPTIONS		
	A) TEMPERED GLASS	.25" MIN.	34.25' X 74.5' EXPOSED GLASS
	B) WIRED GLASS		
	C) CERAMIC GLASS	.188" MIN.	
	D) HEAT STRENGTHENED LAMINATED SAFETY GLASS	.563" MIN.	



NOTES:
 1. WEATHERSTRIPPING AND SILL - INSTALL PER SHT.6.
 2. ANCHOR REQUIREMENTS: SEE SHEET 5 FOR APPROVED ANCHOR INSTALLATION REQUIREMENTS.
 3. HINGE REQUIREMENTS:
 FOR DOOR OPENING UP TO 90" HIGH - MIN. (3) BUTT HINGES
 FOR DOOR OPENING OVER 90" - 96" HIGH - MIN. (4) BUTT HINGES
 LOCATIONS: 9.75" FROM RABBET IN HEAD TO CL OF TOP HINGE
 10.38" FROM FLOOR TO CL OF BOTTOM HINGE, EQUALLY SPACED IN BETWEEN.
 HINGE LOCATION MAY VARY, MAX SPACING NOT TO EXCEED 35.5"
 APPROVED CONTINUOUS HINGE MODELS SEE SHEET 10.
 4. SEE SHEETS 7 & 8 FOR AVAILABLE STANDARD OPENING SIZES AND SPECIFICATIONS.
 5. HARDWARE INSTALLATION AS PER MANUFACTURER'S INSTRUCTIONS.
 6. HEAD SECTION CAN HAVE 4" FACE DIMENSIONS WHEN IT'S GROUTED WITH CONCRETE.
 7. EXIT HARDWARE OPTIONS:
 FOR 98/99, 94/95, 33A/35A, AND 22 SERIES - OPTIONS E, RX, LX, SS, EL, QEL, CX, F, ALK, CD, LD, PN
 TRIM: ALL APPLICABLE TRIMS AVAILABLE.
 FOR 88 AND 55 SERIES - OPTION E
 TRIM: ALL APPLICABLE TRIMS AVAILABLE.
 PN MODEL OFFERED.
 FOR FALCON 24 AND 25 SERIES - OPTIONS DM, LM, RX, KOR, MEL, EA, FSA, FSE, CD, LD
 FOR FALCON 19 AND XX SERIES
 TRIM: ALL APPLICABLE TRIMS AVAILABLE
 8. SURFACE BOLTS INSTALLED WITH SEX BOLTS
 SB360 - #12-24 OHMS
 SB453 - #10-24 FHMS
 SB1630 - 3/4"-20 FHMS
 9. OPTIONAL POWER TRANSFERS, MONITORING SWITCHES, SUPPLEMENTARY MAGNETIC LOCKS AND ELECTRIFIED LOCKS MAY BE USED AS ALLOWED BY CODE AND IT DOES NOT EFFECT THE MECHANICAL PROPERTIES OF HARDWARE AND/OR INHIBIT EGRESS, TO BE REVIEWED BY BUILDING OFFICIAL.
 10. QUANTITY WILL INCREASE WHEN USED WITH HOLLOW METAL MULLION. SEE SHT 6 FOR DETAILS.
 11. ELECTRIFIED AND FIRE RATED OPTIONS OF APPROVED HARDWARE ARE ACCEPTABLE. INSTALLATION AND APPLICATION IS UNDER SEPARATE APPROVAL AND IS REVIEWED BY THE CORRESPONDING AUTHORITY. FIRE RATING NOT PART OF THIS APPROVAL, CONSULT MANUFACTURER FOR APPROVED CONFIGURATIONS.

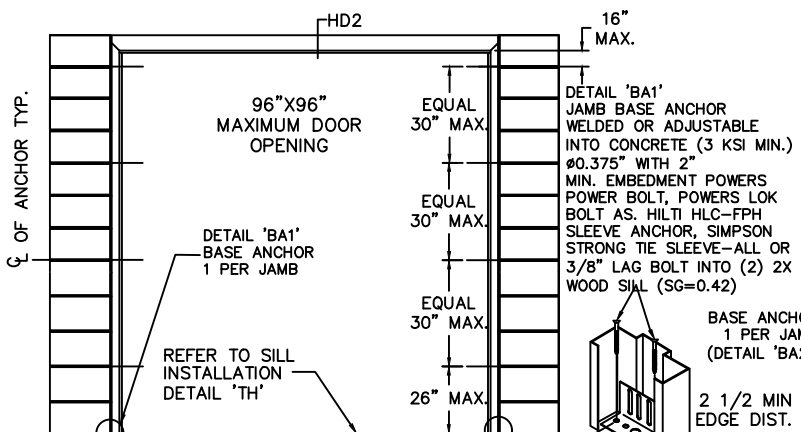


BEND RADIUS		SCHLAGE LOCK COMPANY, LLC 11819 N. PENNSYLVANIA STREET CARMEL, IN 46032	
THIRD ANGLE PROJECTION		TITLE: STEELCRAFT OUTSWING OR INSWING COMMERCIAL STEEL GLAZED DOUBLE DOORS WITH AND WITHOUT PANIC EXIT DEVICES	
DRAWN JPD	DATE 02/14/17	OUTSWING OR INSWING GLAZED DOUBLE DOOR AND HARDWARE CONFIGURATIONS - NON IMPACT	
CHECKED		SIZE FLAT	DWG NO. GDDA330
APPROVED		REV C	6-15-22
ENG. APPVL X	x	SCALE: NTS	AUTOCAD
		SHEET 4 OF 10	

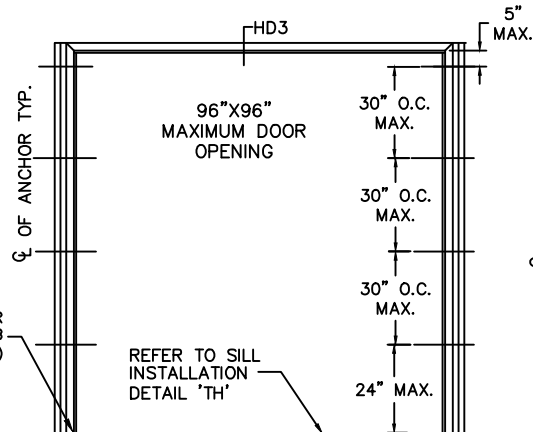
REVISIONS

LTR	DESCRIPTION	DATE	APPROVED
A	APPROVAL DWG	JPD 02/14/17	
B	2018 IBC UPDATE	05/03/21	
C	LOCK UPDATE	CA 06/15/22	

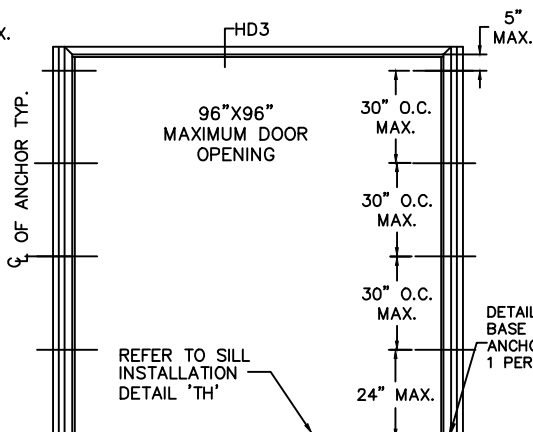
A WIRE OR T MASONRY ANCHOR INTO GROUT FILLED FRAME AND BLOCK WALL



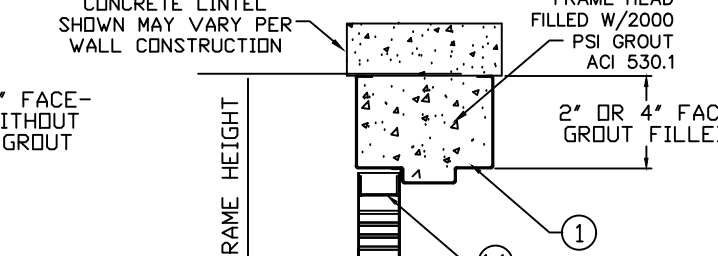
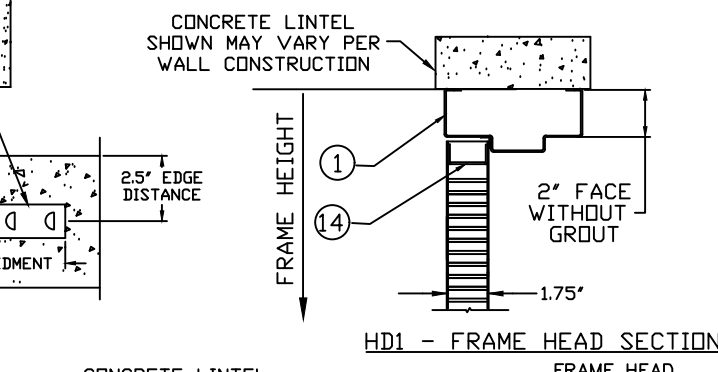
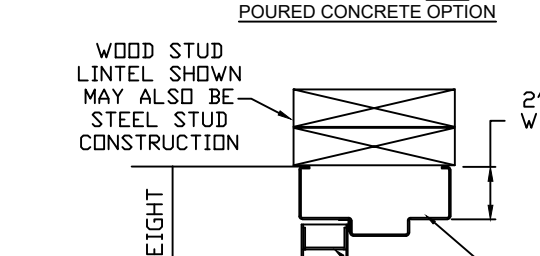
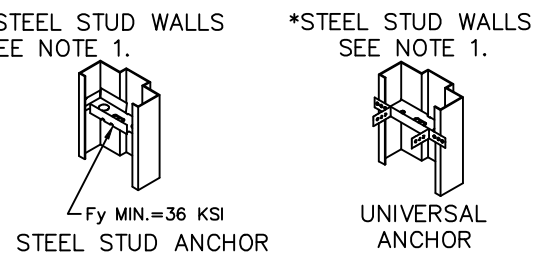
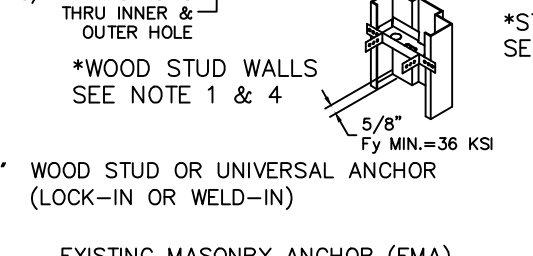
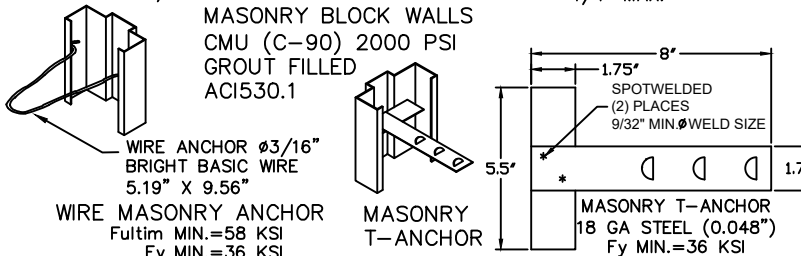
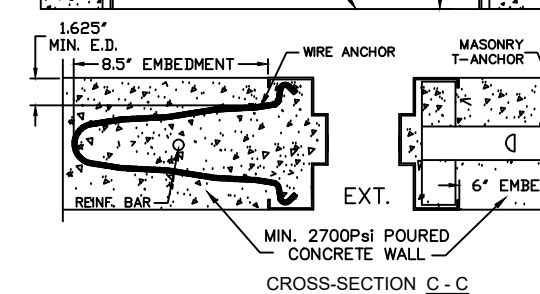
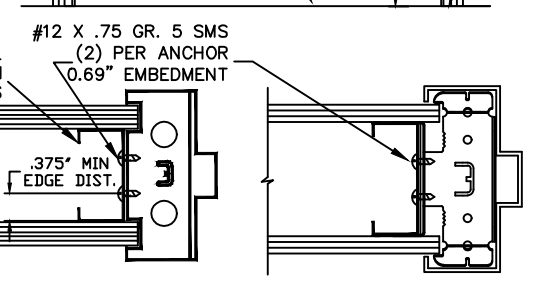
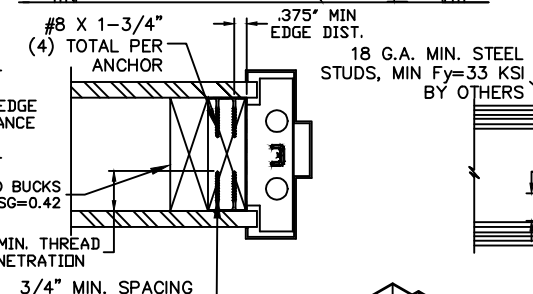
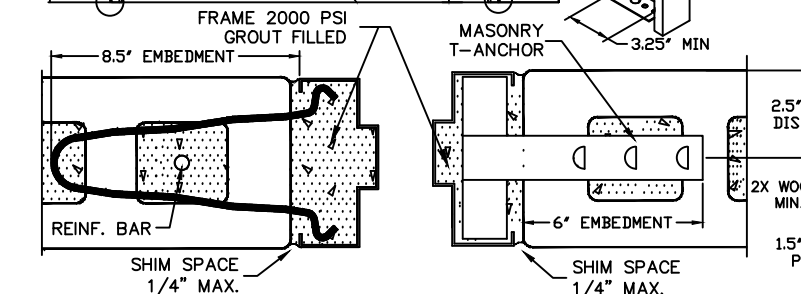
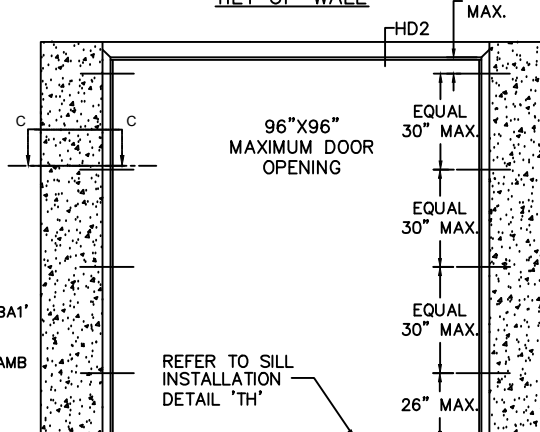
B WOOD STUD ANCHOR



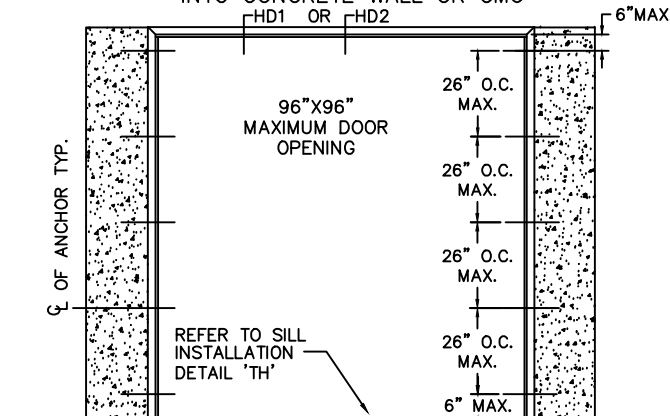
C STEEL STUD ANCHOR



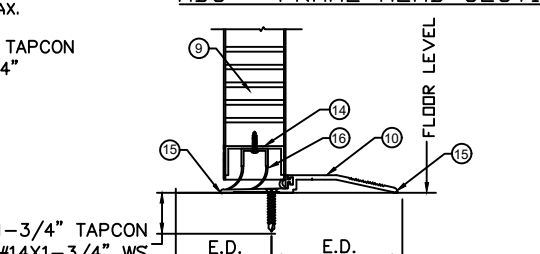
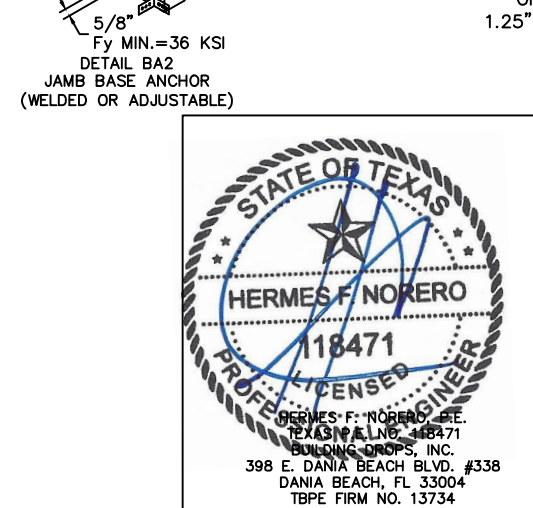
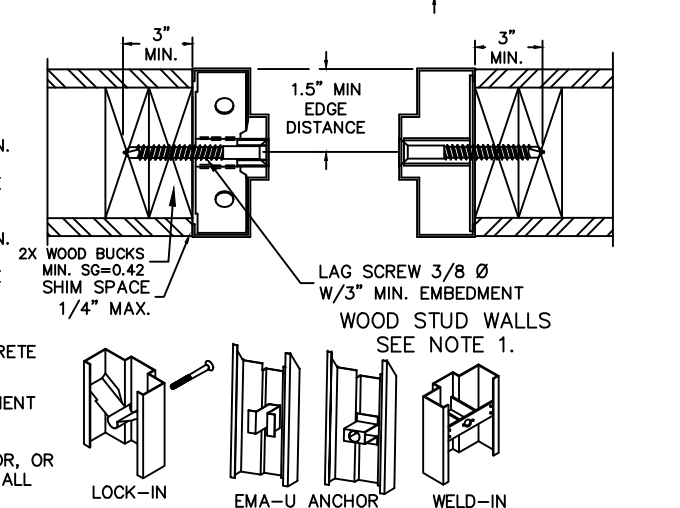
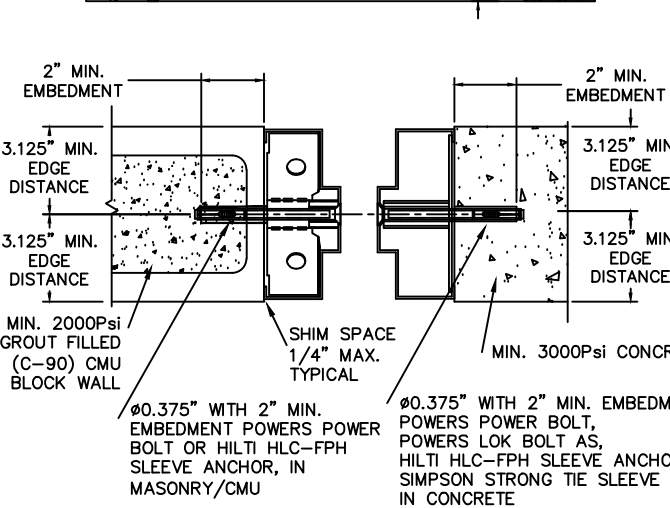
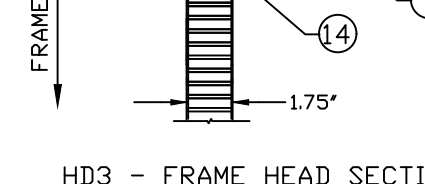
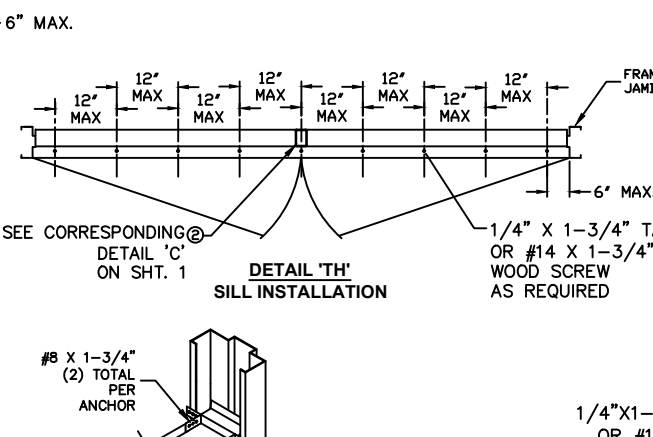
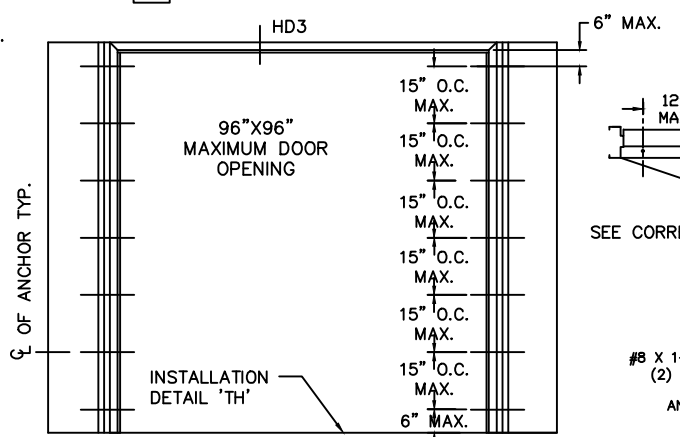
F POURED CONCRETE TILT UP WALL



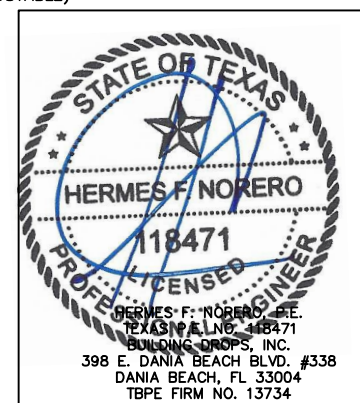
D EXISTING MASONRY ANCHOR (EMA) INTO CONCRETE WALL OR CMU



E EXISTING MASONRY ANCHOR (EMA) WITH LAG BOLT INTO WOOD STUD WALL



NOTES:
 1. (*WOOD OR (*STEEL STRUCTURAL MEMBERS OF WOOD AND STEEL-STUD WALLS MUST BE DESIGNED TO CARRY SUFFICIENT LOAD.
 2. NUMBER OF ANCHORS FOR VARIOUS OPENING HEIGHTS IS LIMITED BY MAXIMUM DISTANCE BETWEEN ANCHORS, SHOWN ON THIS SHEET.
 3. FRAME/ANCHOR INSTALLATION SHALL CONFORM WITH THE STEELCRAFT INSTALLATION INSTRUCTIONS AND ANSI/SDIA250.11. THE MAXIMUM DISTANCE BETWEEN ANCHORS SHALL BE AS SHOWN ON THIS SHEET.
 4. AN ADDITIONAL JAMB ANCHOR MAY BE USED INSTEAD OF A BASE ANCHOR FOR WOOD STUD INSTALLATIONS
 5. APPLY CAULK TO FULL LENGTH OF SILL AND ENTIRE PERIMETER OF FRAME INTERIOR AND EXTERIOR.



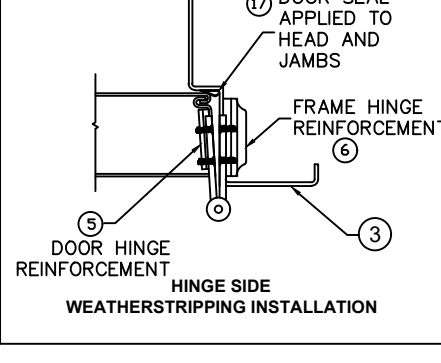
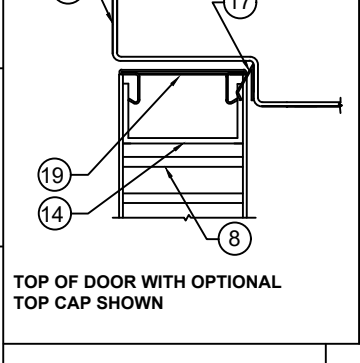
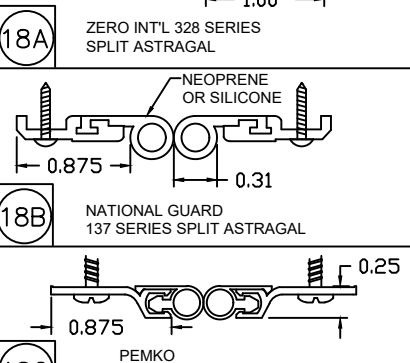
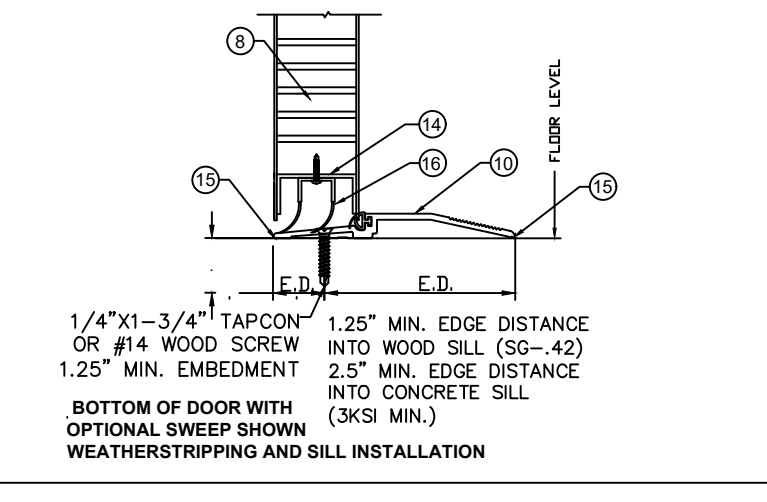
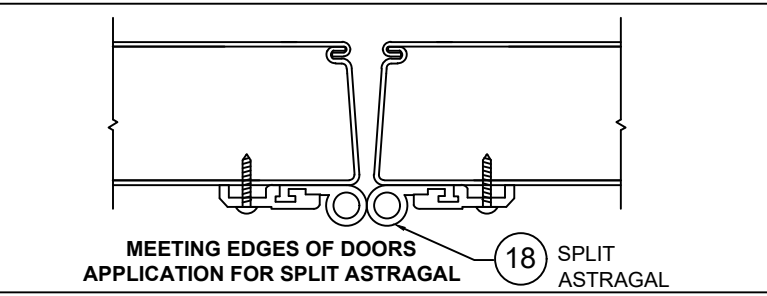
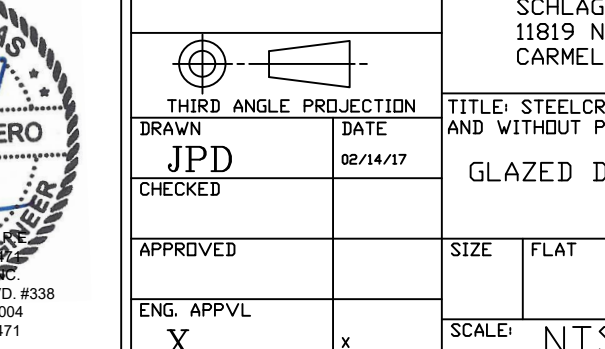
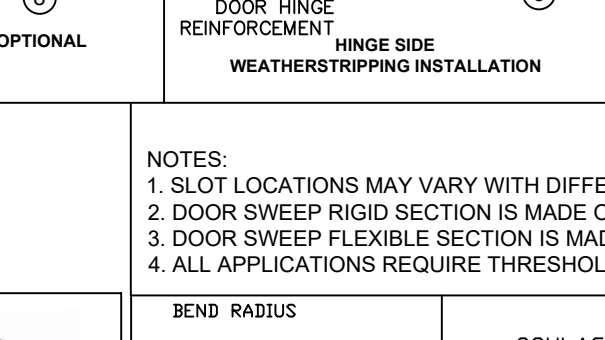
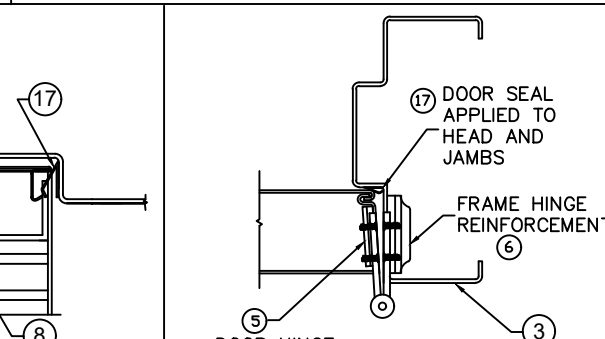
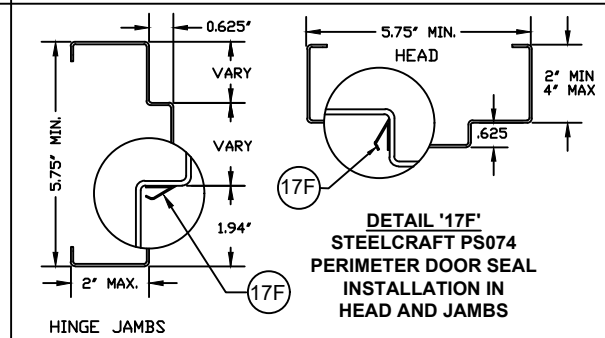
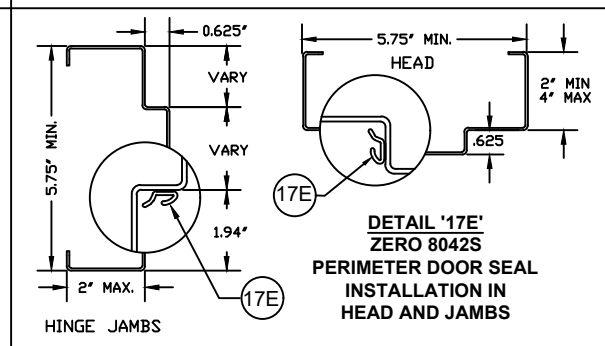
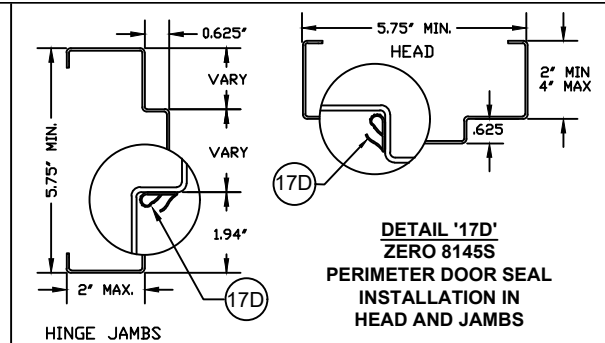
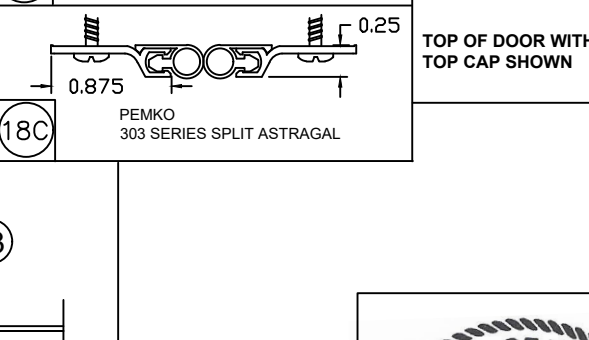
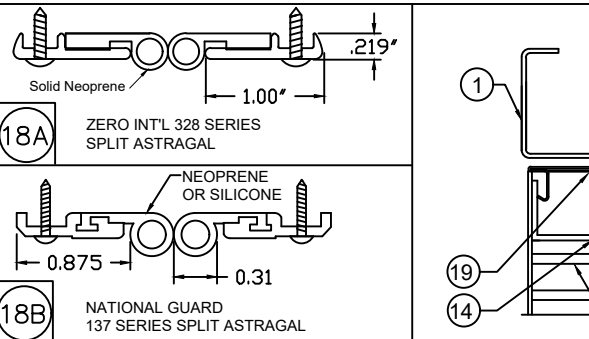
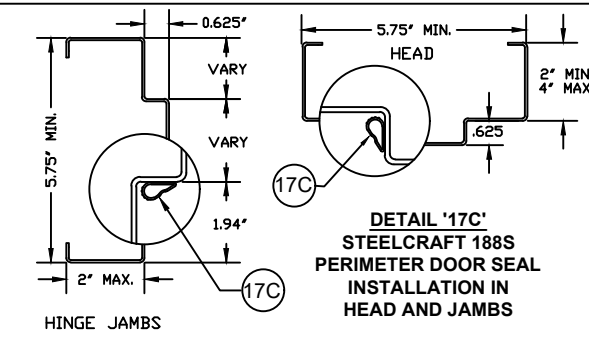
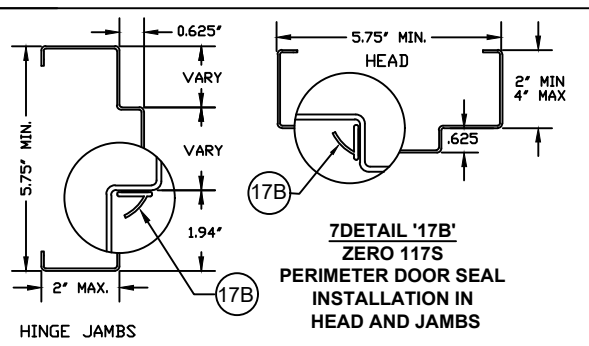
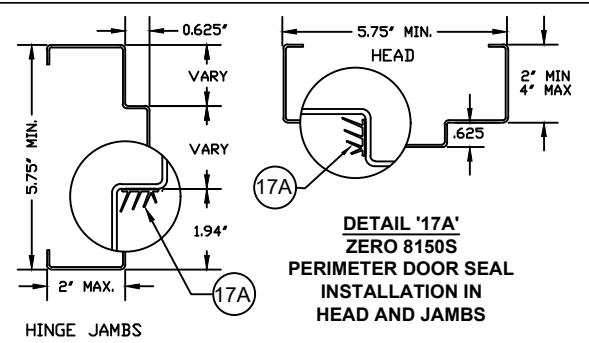
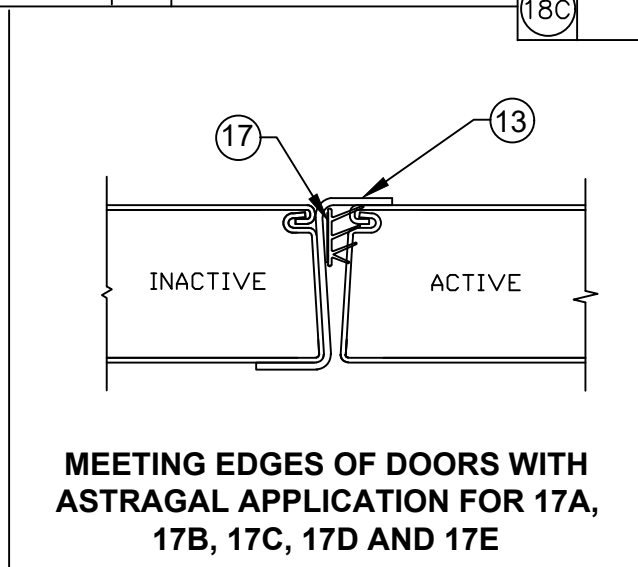
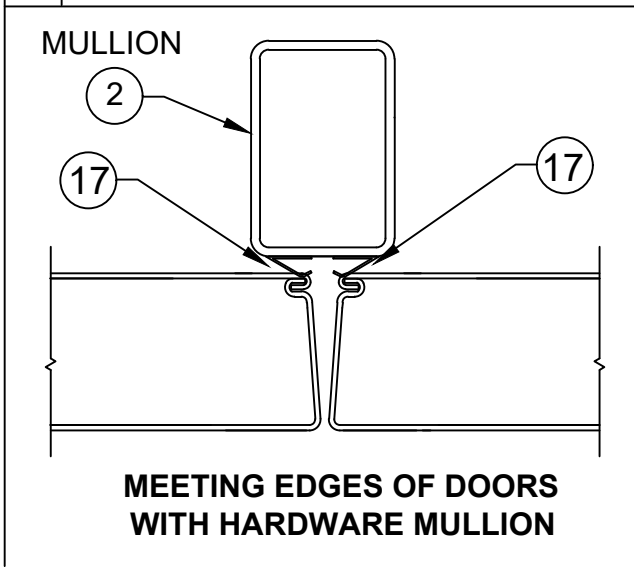
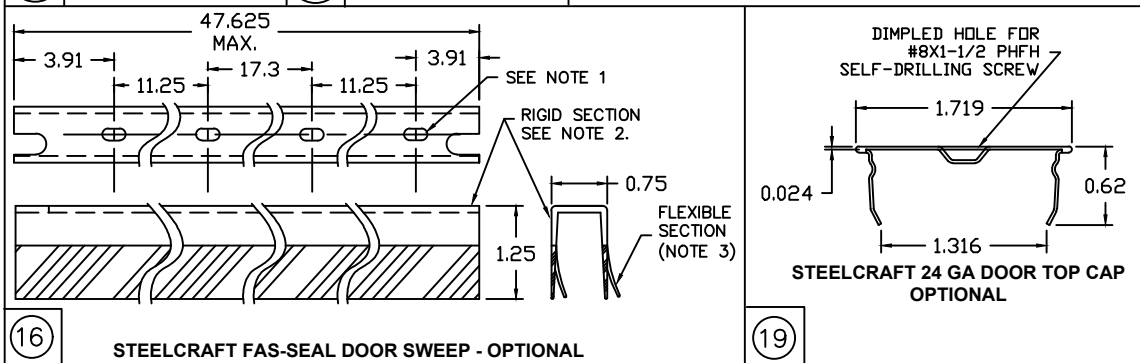
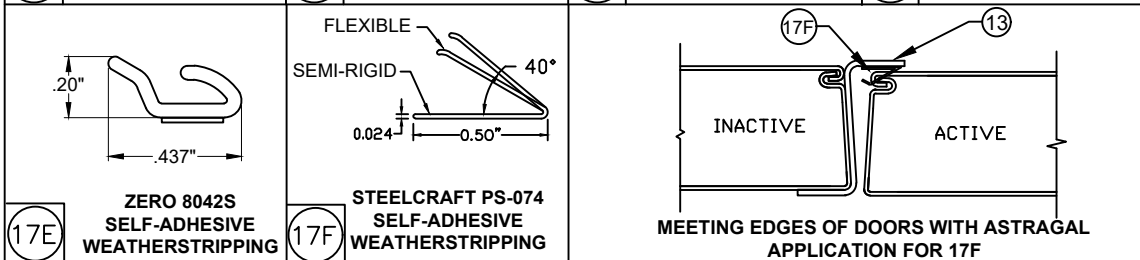
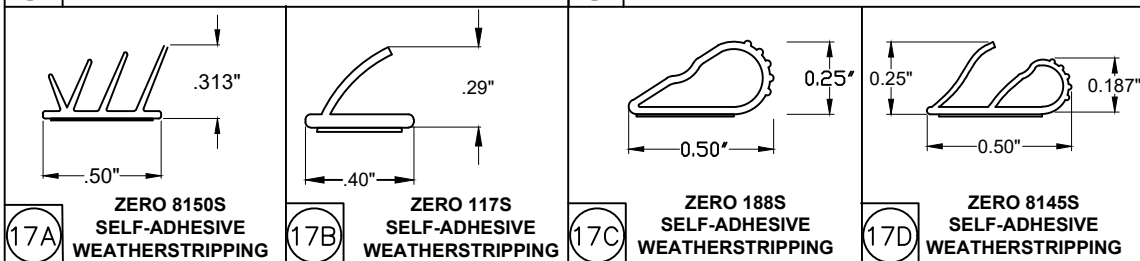
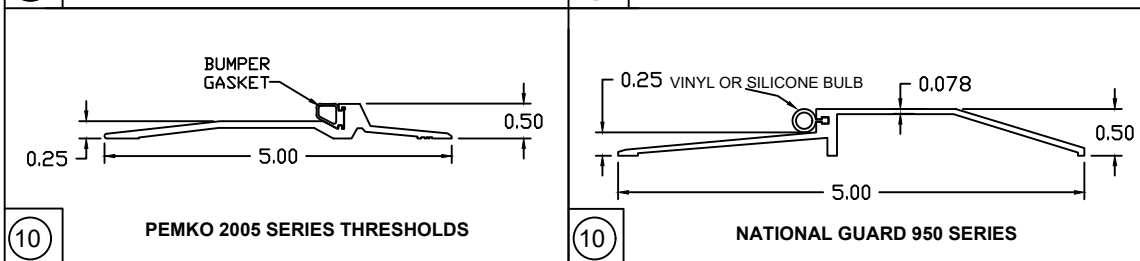
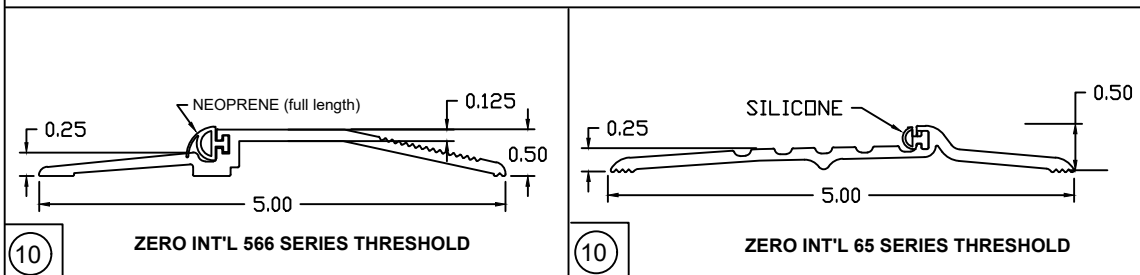
BEND RADIUS	
THIRD ANGLE PROJECTION	
DRAWN	DATE
JPD	02/14/17
CHECKED	
APPROVED	
ENG. APPVL	x

SCHLAGE LOCK COMPANY, LLC 11819 N. PENNSYLVANIA STREET CARMEL, IN 46032			
TITLE: STEELCRAFT OUTSWING OR INSWING GLAZED COMMERCIAL STEEL DOUBLE DOORS WITH AND WITHOUT PANIC EXIT DEVICES ANCHOR DETAILS / INSTALLATION CONDITIONS			
SIZE	FLAT	DWG NO.	REV
		GDDA330	C 6-15-22
SCALE:	NTS	AUTOCAD	SHEET 5 OF 10

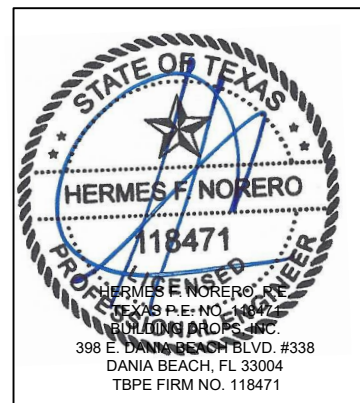
REVISIONS

LTR	DESCRIPTION	DATE	APPROVED
A	APPROVAL DWG	JPD 02/14/17	
B	2018 IBC UPDATE	05/03/21	
C	LOCK UPDATE	CA 06/15/22	

PART DETAILS



- NOTES:
1. SLOT LOCATIONS MAY VARY WITH DIFFERENT DOOR WIDTH.
 2. DOOR SWEEP RIGID SECTION IS MADE OF PRO-FAX #PD-199 POLYPROPYLENE HOMOPOLYMER.
 3. DOOR SWEEP FLEXIBLE SECTION IS MADE OF SANTOPRENE #101-73
 4. ALL APPLICATIONS REQUIRE THRESHOLD AND GASKETING.



BEND RADIUS		SCHLAGE LOCK COMPANY, LLC 11819 N. PENNSYLVANIA STREET CARMEL, IN 46032	
THIRD ANGLE PROJECTION		TITLE: STEELCRAFT OUTSWING OR INSWING COMMERCIAL STEEL GLAZED DOUBLE DOORS WITH AND WITHOUT PANIC EXIT DEVICES	
DRAWN JPD	DATE 02/14/17	GLAZED DOUBLE DOOR PERIMETER SEAL HARDWARE.	
CHECKED		SIZE FLAT	DWG NO. GDDA330
APPROVED		REV C	6-15-22
ENG. APPVL X	x	SCALE NTS	AUTOCAD
			SHEET 6 of 10

REVISIONS

LTR	DESCRIPTION	DATE	APPROVED
A	APPROVAL DWG	JPD 02/14/17	
B	2018 IBC UPDATE	05/03/21	
C	LOCK UPDATE	CA 06/15/22	

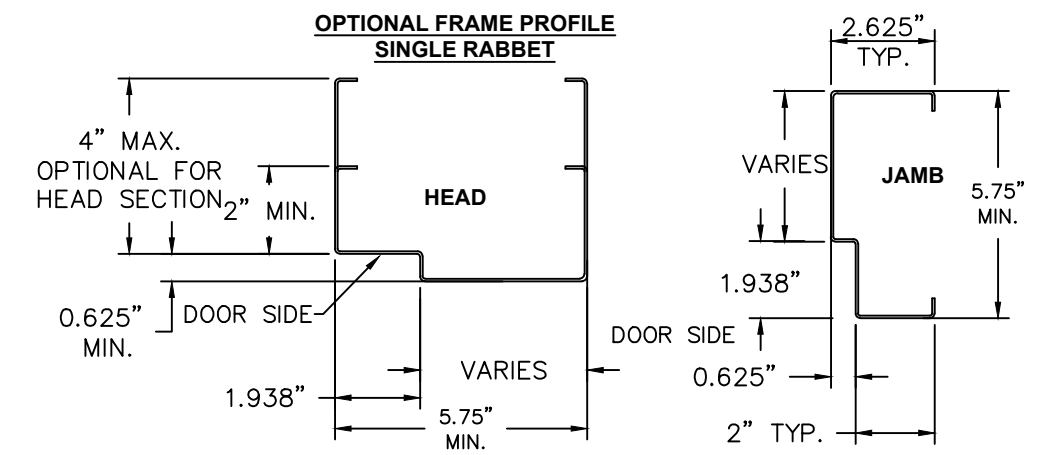
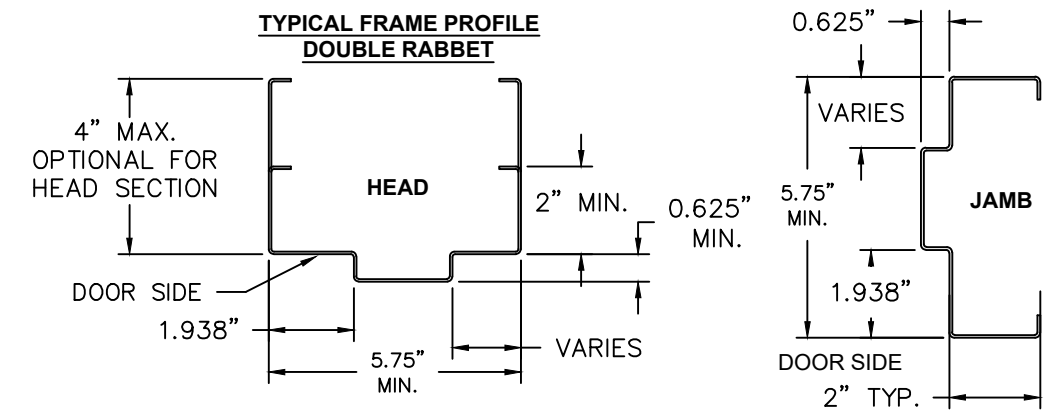
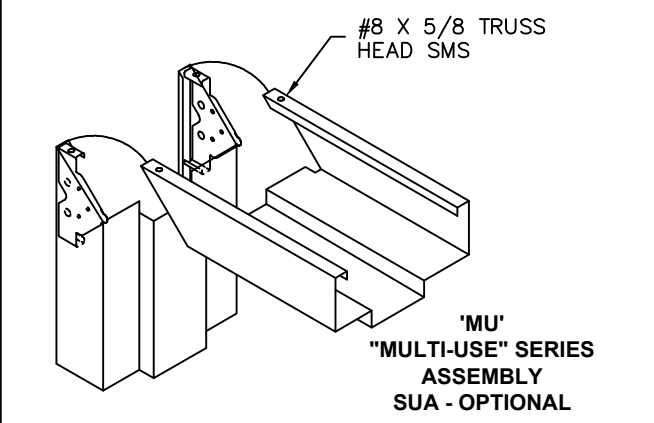
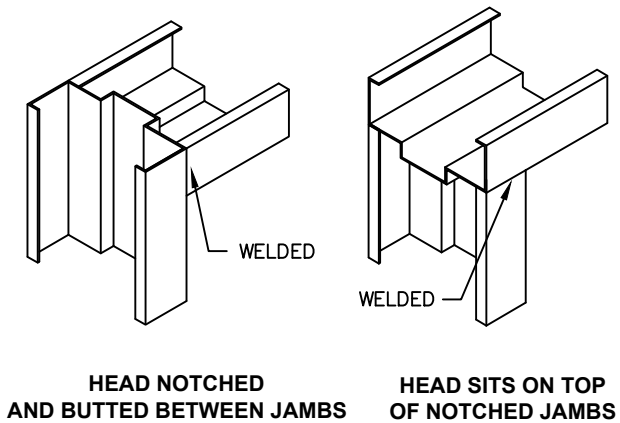
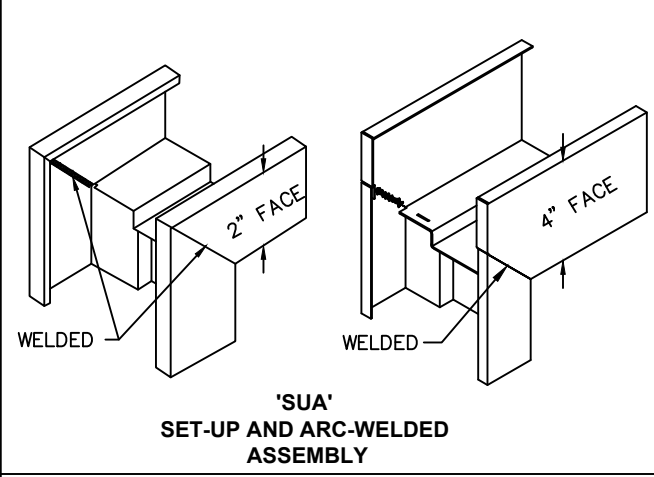
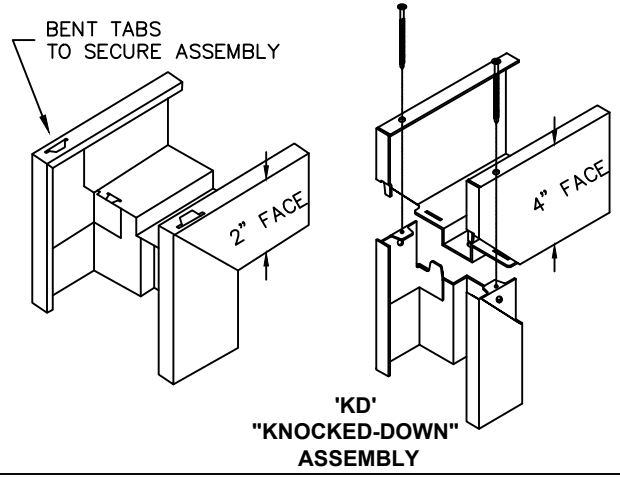


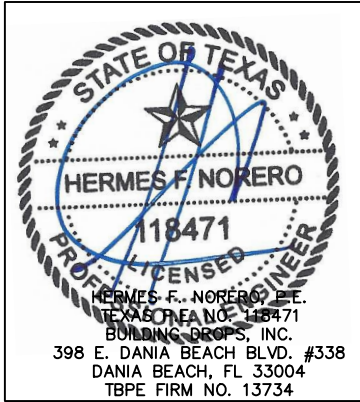
TABLE 4. AVAILABLE STEELCRAFT FRAME CONFIGURATIONS

STEELCRAFT FRAME SERIES	JAMB DEPTH	MAXIMUM OPENING SIZE		MATERIAL	
		WIDTH	HEIGHT	DESCR.	GA./MIN. THK
F	5.75" MIN.	8'0"	8'0"	CRS/HRS GALV	16/.053" 14/.067" 12/.099"
				STAINLESS STEEL	16/.053"
MU	5.75" MIN.	8'0"	8'0"	CRS/HRS GALV	16/.053" 14/.067"

- NOTES:
- FRAME CONSTRUCTION
 - MINIMUM JAMB DEPTH - 5-3/4", STOP HEIGHT - 5/8"
 - FRAMES AVAILABLE AS FLUSH (F-SERIES) AND MULTI-USE (MU-SERIES) (SEE TABLE 4)
 - FRAME MATERIAL SPECIFICATIONS REFERENCE SEE TABLE 5.

TABLE 5. STEEL DOOR/FRAME MECHANICAL PROPERTIES

MATERIAL	ASTM REF.	YIELD KSI	TENSILE KSI
CRS	A1008	MIN. 30.1	MIN. 44.7
HRS	A1011		
GALV: A60	A924	MIN. 31.2	MIN. 73.2
SS: 304,316	A240		



BEND RADIUS		SCHLAGE LOCK COMPANY, LLC 11819 N. PENNSYLVANIA STREET CARMEL, IN 46032	
THIRD ANGLE PROJECTION		TITLE STEELCRAFT OUTSWING OR INSWING COMMERCIAL STEEL GLAZED DOUBLE DOORS WITH AND WITHOUT PANIC EXIT DEVICES	
DRAWN JPD	DATE 02/14/17	FRAME PROFILE, CORNER DETAILS AND DOOR FRAME MATERIAL, AND SIZE OPTIONS	
CHECKED		SIZE FLAT	REV C 6-15-22
APPROVED		DWG NO. GDDA330	
ENG. APPVL X	x	SCALE: NTS AUTOCAD	SHEET 7 of 10

REVISIONS

LTR	DESCRIPTION	DATE	APPROVED
A	APPROVAL DWG	JPD 02/14/17	
B	2018 IBC UPDATE	05/03/21	
C	LOCK UPDATE	CA 06/15/22	

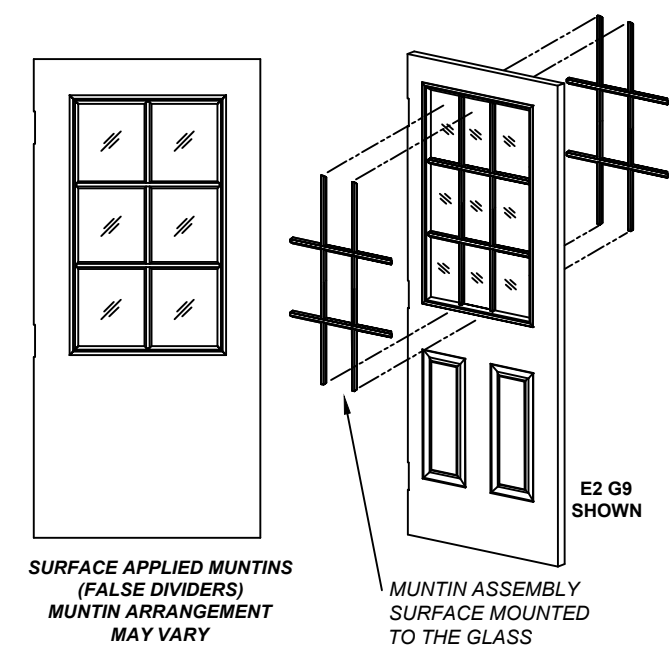
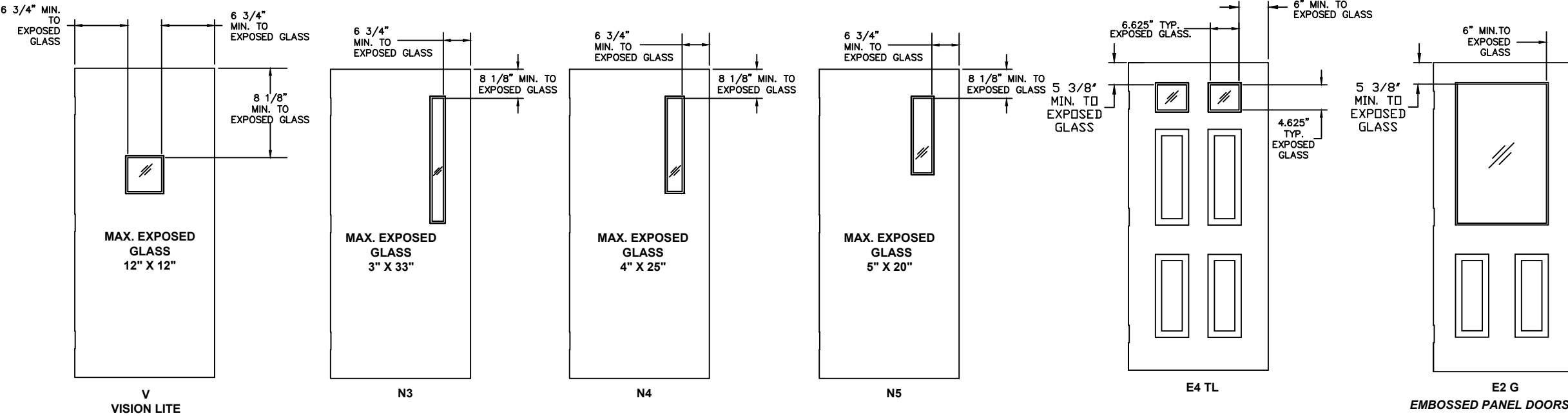
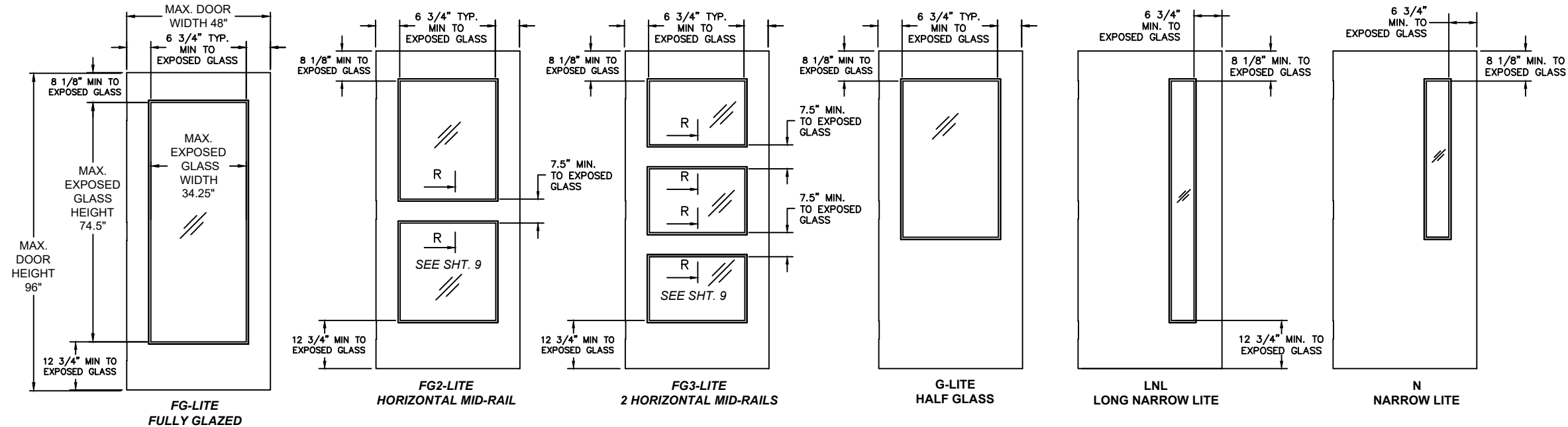


TABLE 6. AVAILABLE STEELCRAFT DOOR CONFIGURATIONS

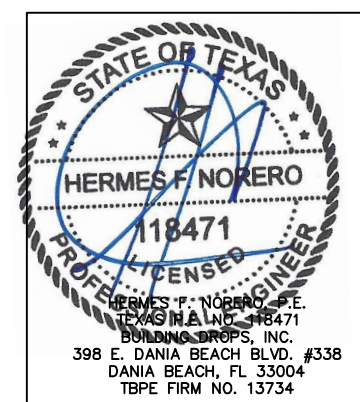
STEELCRAFT DOOR SERIES	CORE MATERIAL PER SHT.9	MAXIMUM DOOR OPENING SIZE		SKIN MATERIAL	
		WIDTH	HEIGHT	DESCR.	GA./MIN. THK
L	HONEYCOMB POLYSTYRENE POLYURETHANE	8'0"	8'0"	CRS GALV	18/.044" 16/.055" 14/.070"
B	STEEL STIFFENED	8'0"	8'0"	CRS GALV	18/.044" 16/.055" 14/.070"
SL	HONEYCOMB POLYSTYRENE POLYURETHANE	8'0"	8'0"	CRS GALV	18/.044" 16/.055"
T	MINERAL FIBER	8'0"	8'0"	CRS GALV	18/.044" 16/.055" 14/.070"
CE	POLYSTYRENE/ HONEYCOMB	8'0"	8'0"	GALV	18/.044" 16/.055"

TABLE 5. STEEL DOOR/FRAME MECHANICAL PROPERTIES

MATERIAL	ASTM REF.	YIELD KSI	TENSILE KSI
CRS	A366		
HRS	A1011	MIN. 30.1	MIN. 44.7
GALV: A60	A924		
SS: 304,316	A240	MIN. 31.2	MIN. 73.2

NOTES: DOOR CONSTRUCTION

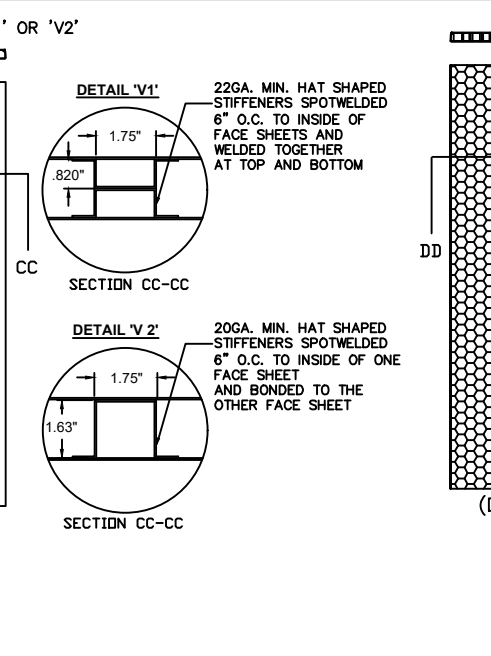
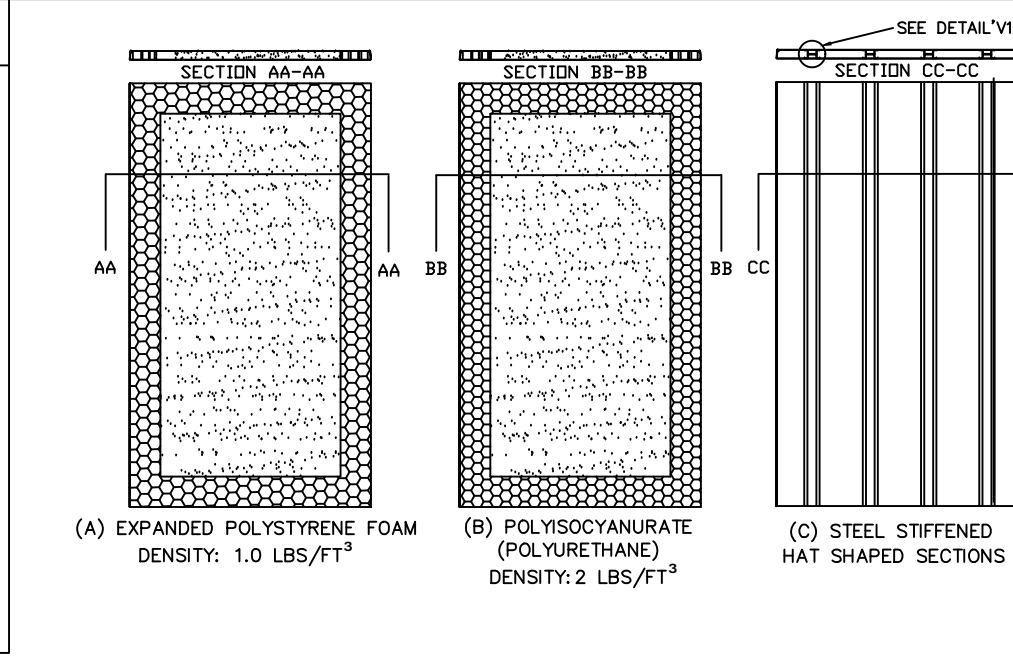
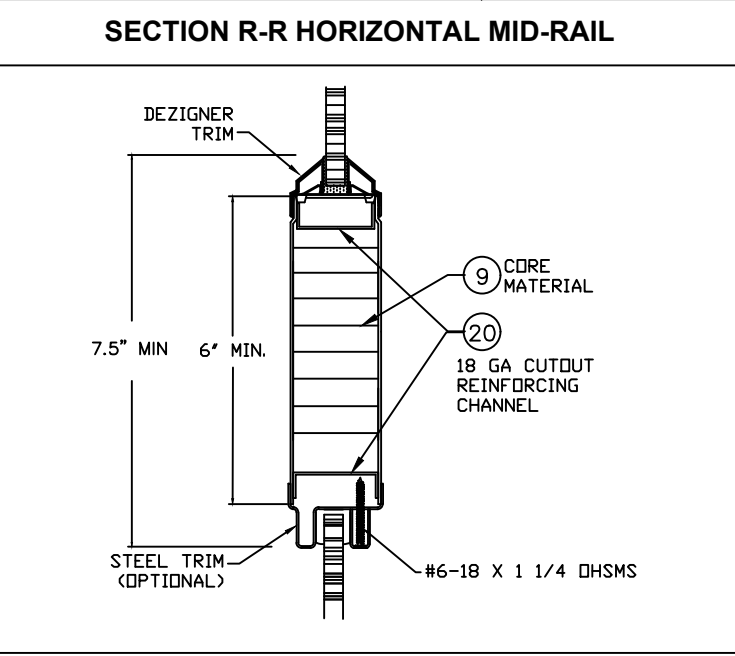
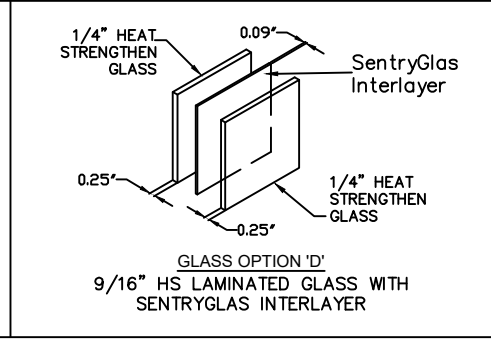
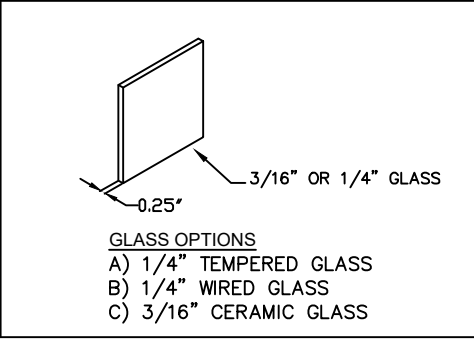
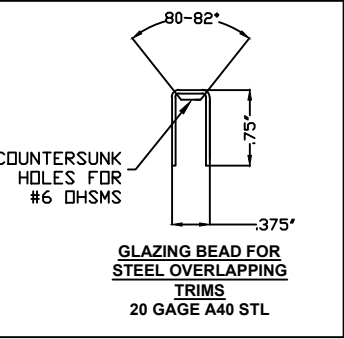
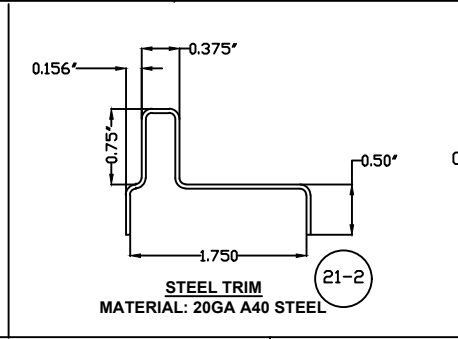
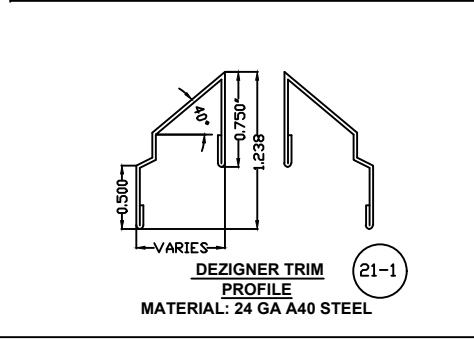
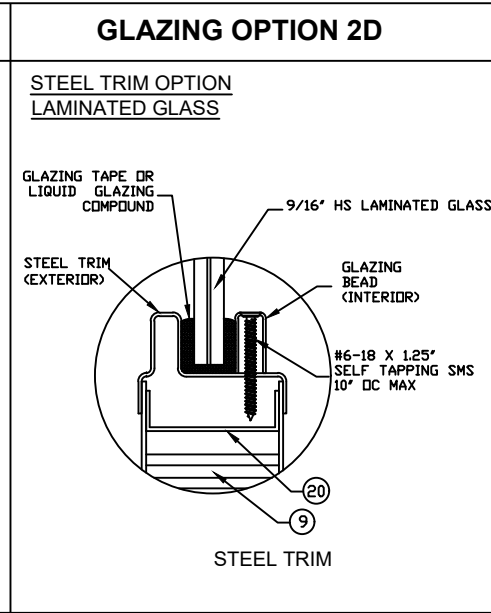
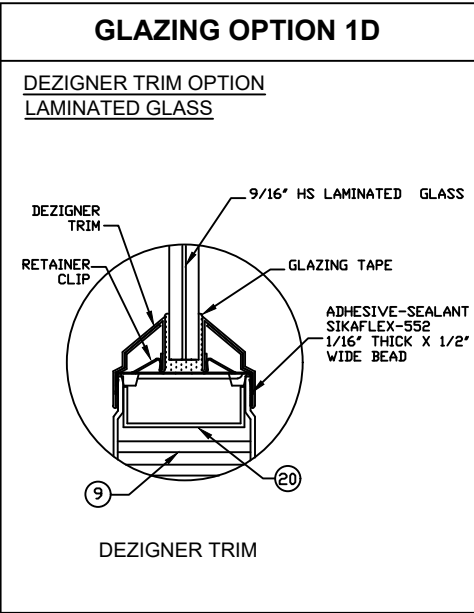
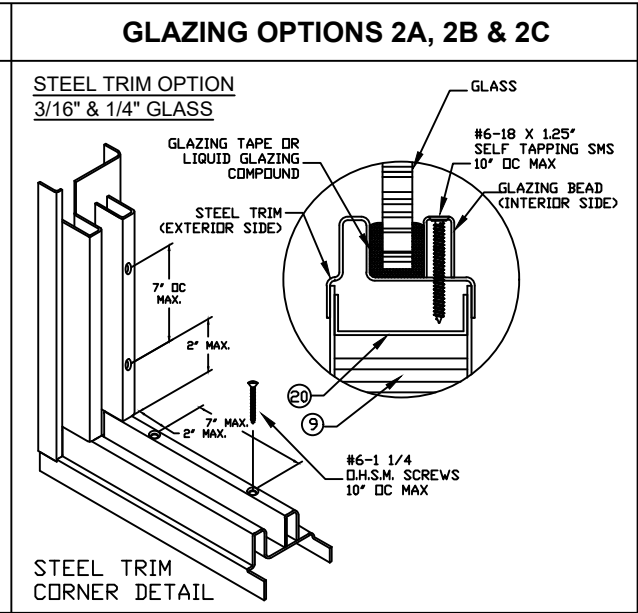
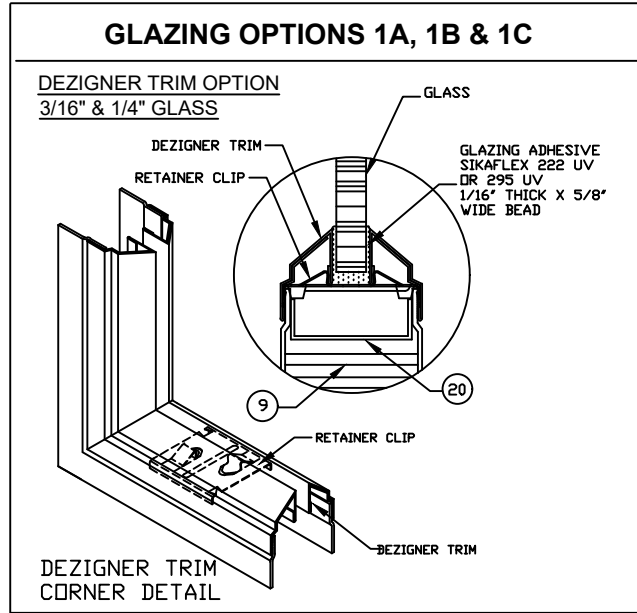
1. MINIMUM DOOR THICKNESS - 1 3/4"
2. ALL GLASS LITE TYPES SHOWN ON THIS SHEET ARE AVAILABLE FOR ALL DOOR CONFIGURATIONS SHOWN ON SHEET 1 AND TABLE 1 SHEET 2 AND TABLE 2 SHEET 3.
3. MAXIMUM EXPOSED GLASS HEIGHT AND WIDTH AS PER SHEETS 1, 2, AND 3.
4. MAXIMUM EXPOSED GLASS SIZE WILL CHANGE IN PROPORTION WITH DOOR SIZE.
5. GLASS LITES NOT LIMITED TO THOSE SHOWN, PROVIDED DIMENSIONS SHOWN ARE MAINTAINED.
6. DOORS WITH MULTIPLE GLASS LITES ARE NOT LIMITED TO THE DESIGNS SHOWN, PROVIDED THE DIMENSIONS SHOWN ARE MAINTAINED.
7. WHEN USING A CONTINUOUS HINGE THE MINIMUM DISTANCE FROM THE EDGE OF THE DOOR TO EXPOSED GLASS IS 6-1/4" AT STILES AND 7-1/2" AT MID RAILS.
8. FOR MATERIAL SPECIFICATIONS REFERENCE TABLE 5.



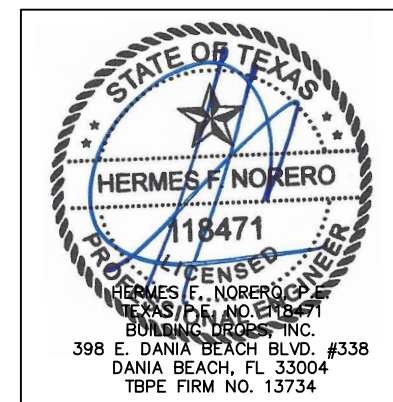
BEND RADIUS		SCHLAGE LOCK COMPANY, LLC 11819 N. PENNSYLVANIA STREET CARMEL, IN 46032	
THIRD ANGLE PROJECTION		TITLE: STEELCRAFT OUTSWING OR INSWING GLAZED COMMERCIAL STEEL DOUBLE DOORS WITH AND WITHOUT PANIC EXIT DEVICES	
DRAWN JPD	DATE 02/14/17	GLASS DOOR CONFIGURATIONS AND MATERIAL SPECS.	
CHECKED		SIZE FLAT	DWG NO. GDDA330
APPROVED		REV C 6-15-22	
ENG. APPVL X	x	SCALE: NTS	AUTOCAD
		SHEET 8 of 10	

REVISIONS

LTR	DESCRIPTION	DATE	APPROVED
A	APPROVAL DWG JPD	02/14/17	
B	2018 IBC UPDATE	05/03/21	
C	LOCK UPDATE CA	06/15/22	

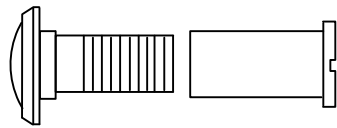


NOTES:
1. CORE MATERIAL SHOWN WITHOUT CUTOUTS FOR REINFORCEMENTS



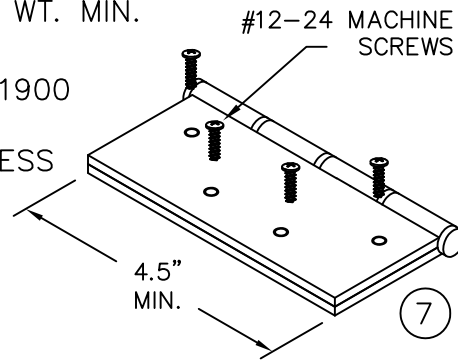
BEND RADIUS	
THIRD ANGLE PROJECTION	
DRAWN	DATE
JPD	02/14/17
CHECKED	
APPROVED	
ENG. APPVL	

SCHLAGE LOCK COMPANY, LLC 11819 N. PENNSYLVANIA STREET CARMEL, IN 46032			
TITLE: STEELCRAFT OUTSWING OR INSWING GLAZED COMMERCIAL STEEL DOUBLE DOORS WITH AND WITHOUT PANIC EXIT DEVICES			
GLASS TRIM, GLASS AND DOOR CORE OPTIONS			
SIZE	FLAT	DWG NO.	REV
		GDDA330	C 6-15-22
SCALE:	NTS	AUTOCAD	SHEET 9 of 10

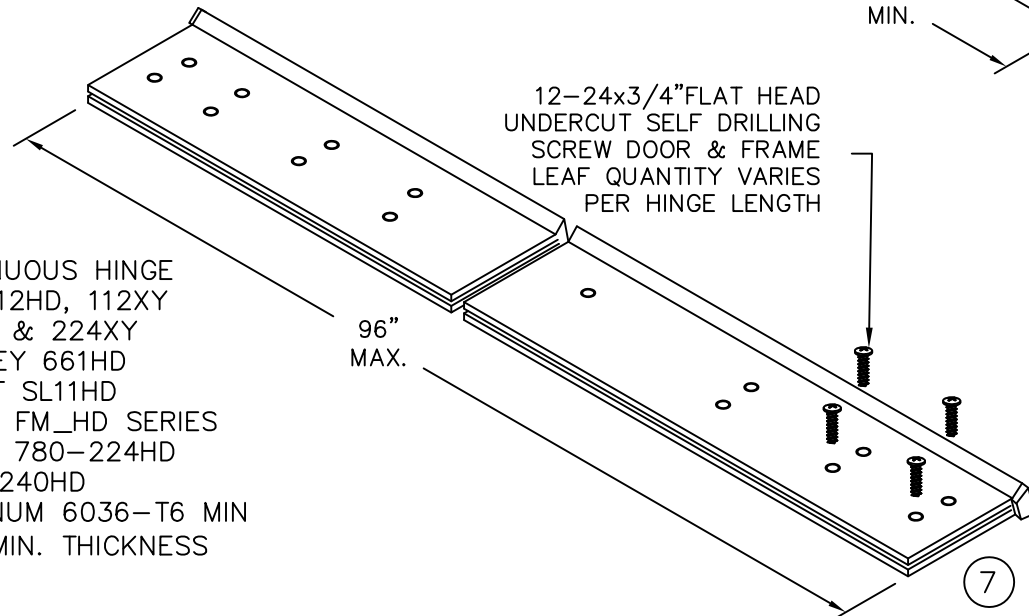


20 IVES 698/U698 DOOR VIEWER

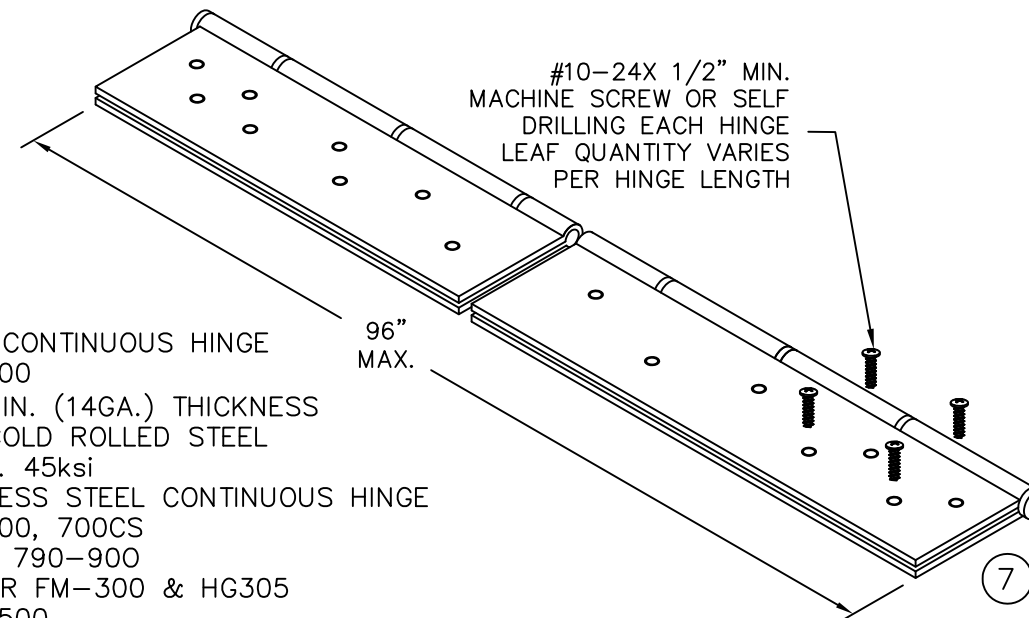
BUTT HINGE
4.5" X 4.5" STD. WT. MIN.
IVES 5BB1/3CB1
STANLEY FBB179/1900
HAGER BB1279
.134" MIN. THICKNESS
Fy MIN. = 36ksi



CONTINUOUS HINGE
IVES 112HD, 112XY
224HD & 224XY
STANLEY 661HD
SELECT SL11HD
PEMCO FM_HD SERIES
HAGER 780-224HD
ABH A240HD
ALUMINUM 6036-T6 MIN
.110" MIN. THICKNESS

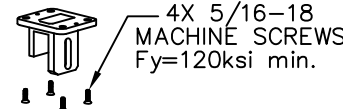


STEEL CONTINUOUS HINGE
IVES 600
.075 MIN. (14GA.) THICKNESS
1012 COLD ROLLED STEEL
Fy MIN. 45ksi
STAINLESS STEEL CONTINUOUS HINGE
IVES 700, 700CS
HAGER 790-900
MARKAR FM-300 & HG305
ABH A500
.075" MIN. (14GA.) THICKNESS
304 STAINLESS STEEL
Fy MIN. 31ksi



- HINGE NOTES:
1. QUANTITY OF SCREWS VARIES PER HINGE LENGTH, MANUFACTURER AND MODEL NUMBER
 2. SCREW SPACING VARIES PER HINGE LENGTH, MANUFACTURER AND MODEL NUMBER
 3. INSTALL HINGES PER THE MANUFACTURERS INSTALLATION INSTRUCTIONS
 4. BUTT AND CONTINUOUS HINGES MAY INCLUDE ELECTRICAL THROUGH-WIRE, POWER TRANSFER, AND MONITORING
 5. REINFORCEMENTS NOT REQUIRED FOR DOOR AND FRAME WHEN USING CONTINUOUS HINGES.

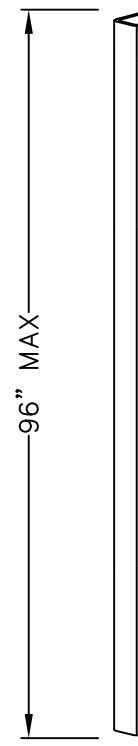
KR MULLION



4X 5/16-18
MACHINE SCREWS
Fy=120ksi min.

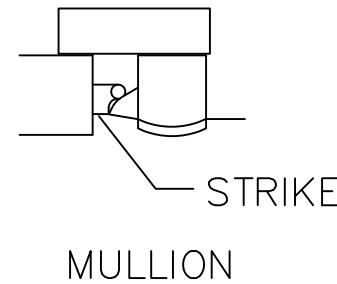


(KR) LOCKING
MULLION
ASSEMBLY



STRIKE PER
DEVICE
REQUIREMENTS

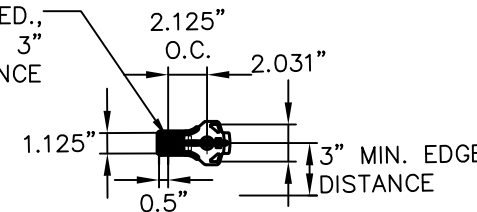
HARDWARE MULLION
STEEL OR ALUMINUM
SEE SHEET 2



STRIKE
MULLION

MULLION BASE FITTING

2X 1/4" HILTI KB-TZ2 3X
ANCHORS W/ 1-1/8" EMBED.,
1.5" MIN. SPACING, AND 3"
MIN EDGE DISTANCE



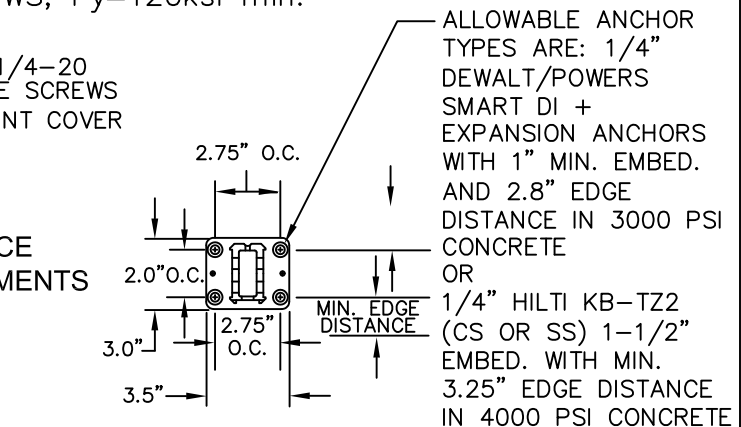
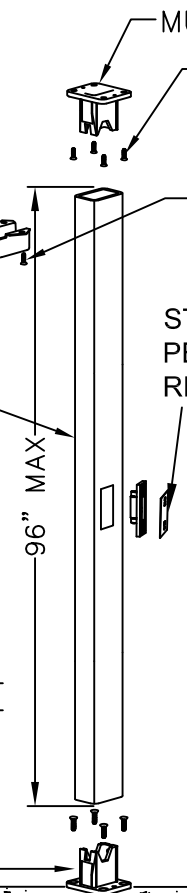
5654/5754
MULLION BASE FITTING

MULLION HEAD FRAME FITTING
QTY; 4 5/16-18 MACHINE
SCREWS, Fy=120ksi min.

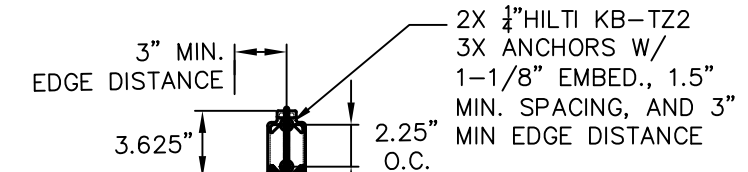
COVER

2X 1/4-20
MACHINE SCREWS
TO MOUNT COVER

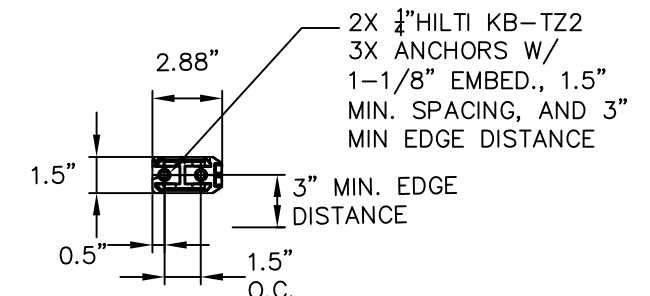
STRIKE
PER DEVICE
REQUIREMENTS



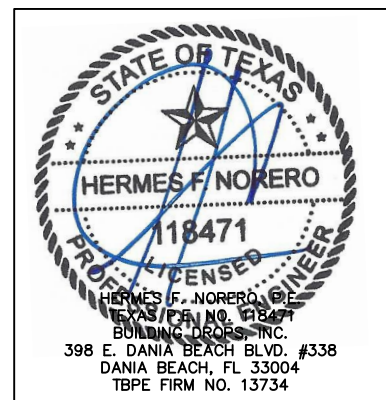
9954 MULLION BASE FITTING



1654/4954/4023
MULLION BASE FITTING



2923 MULLION BASE FITTING



BEND RADIUS	
THIRD ANGLE PROJECTION	
DRAWN JPD	DATE 02/14/17
CHECKED	
APPROVED	
ENG. APPVL	

SCHLAGE LOCK COMPANY, LLC 11819 N. PENNSYLVANIA STREET CARMEL, IN 46032			
TITLE: STEELCRAFT FLUSH OUTSWING OR INSWING COMMERCIAL STEEL GLAZED DOUBLE DOORS WITH AND WITHOUT PANIC EXIT DEVICES			
HINGE OPTIONS			
SIZE	FLAT	DWG NO.	REV
		GDDA330	C 6-15-22
SCALE:	NTS	AUTOCAD	SHT 10 OF 10