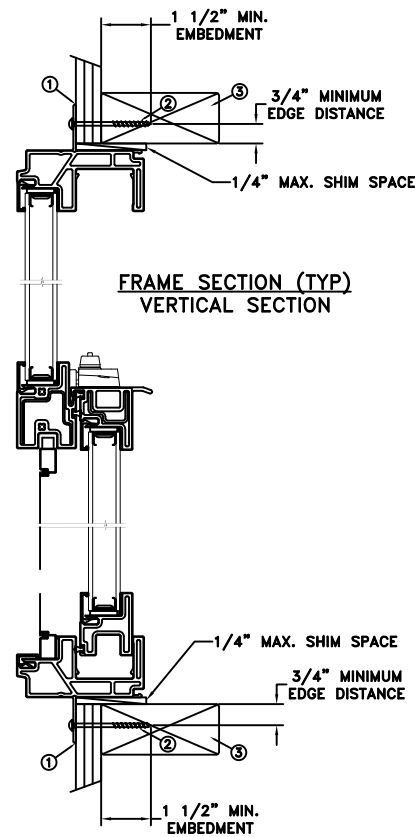
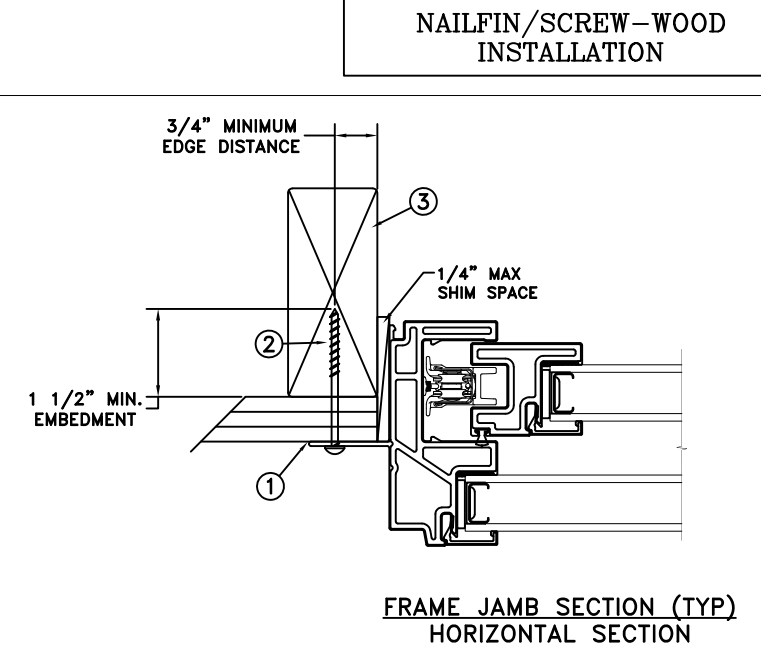


TYPICAL ELEVATION WITH FASTENER SPACING



FRAME SECTION (TYP)  
VERTICAL SECTION



FRAME JAMB SECTION (TYP)  
HORIZONTAL SECTION

MAXIMUM FRAME	DP	IMPACT
48" x 84"	+35/-40	NO

**Installation Notes:**

1. Seal flange/frame to substrate. Sill shall be set on a continuous serpentine bead of structural grade silicone caulk when no fastener is used to anchor the sill (typical).
2. Use #8 PH or greater fastener through the nailing flange with sufficient length to penetrate a minimum of 1 1/2" into the wood framing. For 2x wood frame substrate (min. S.G. = 0.42)
3. Host structure (wood buck, masonry, steel) to be designed and anchored to properly transfer all loads to the structure. The host structure is the responsibility of the architect or engineer of record for the project of installation.

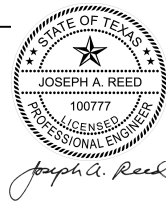
**General Notes:**

1. The product shown herein is designed, tested and manufactured to comply with the wind load criteria of the 2018 International Residential Code (IRC) and 2018 International Building Code (IBC).
2. All glazing shall conform to ASTM E1300.
3. Use structural or composite shims where required.

This schedule addresses only the fasteners required to anchor the unit to achieve the rated design pressure and impact performance (where applicable) up to the size limitations noted. It is not intended as a guide to the installation process and does not address the sealing consideration that may arise in different wall conditions. For the complete installation procedure, see the instructions packaged with the unit or go to [www.jeld-wen.com](http://www.jeld-wen.com).

**DISCLAIMER:**

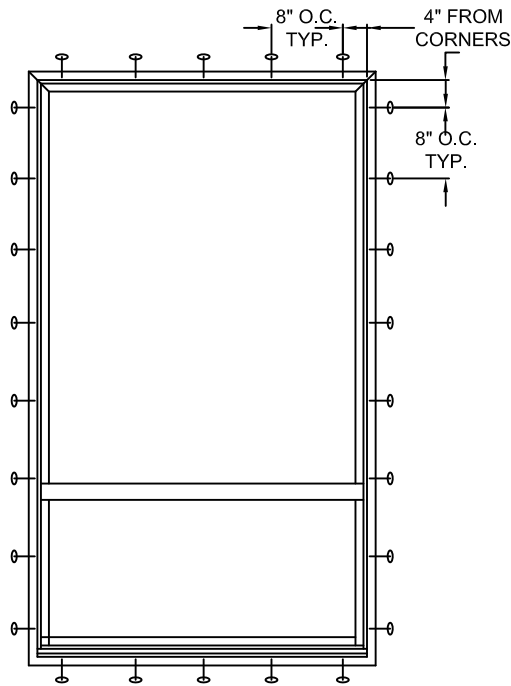
This drawing and its contents are confidential and are not to be reproduced or copied in whole or in part or used or disclosed to others except as authorized by JELD-WEN Inc.



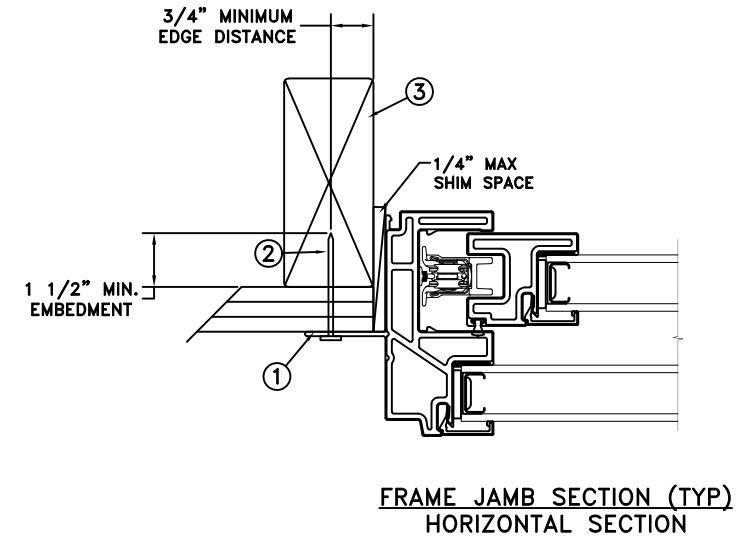
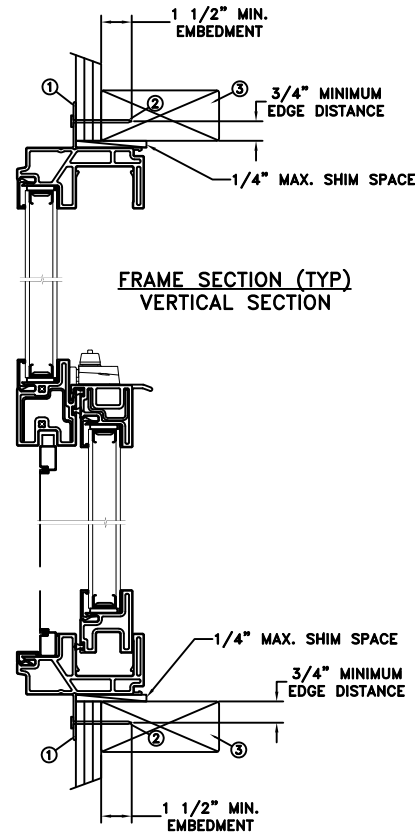
2021.06.07 15:53:11 -0400'  
**JOSEPH A. REED, P.E.**  
 Texas No. 100777  
 5 Leigh Drive  
 York, PA. 17406  
 (717) 846-1200

	DATE: 05/25/2021	<b>JELD-WEN</b> 3737 LAKEPORT BLVD. KLAMATH FALLS OR, 97601 PHONE: (800) 535-3936
DRAWN BY: J.HAWKINS	SCALE: NTS	
CHECKED BY: D.BELAU	TITLE: Auraline Composite Side Load Single Hung - Reverse Cottage	
APPROVED BY: J.GOOSSEN		
RECORD No.: D015631		
REPORT No.: L6658.01-301-47-R0	CAD DWG. No.: AuralineCompSLSH Cert	REV: A SHEET 1 of 10

NAILFIN/NAIL-WOOD  
INSTALLATION



TYPICAL ELEVATION WITH FASTENER SPACING



MAXIMUM FRAME	DP	IMPACT
48" x 84"	+35/-40	NO

Installation Notes:

1. Seal flange/frame to substrate. Sill shall be set on a continuous serpentine bead of structural grade silicone caulk when no fastener is used to anchor the sill (typical).
2. Use 6d x 2" fastener through the nailing flange with sufficient length to penetrate a minimum of 1 1/2" into the wood framing. For 2x wood frame substrate (min. S.G. = 0.42)
3. Host structure (wood buck, masonry, steel) to be designed and anchored to properly transfer all loads to the structure. The host structure is the responsibility of the architect or engineer of record for the project of installation.

General Notes:

1. The product shown herein is designed, tested and manufactured to comply with the wind load criteria of the 2018 International Residential Code (IRC) and 2018 International Building Code (IBC).
2. All glazing shall conform to ASTM E1300.
3. Use structural or composite shims where required.

This schedule addresses only the fasteners required to anchor the unit to achieve the rated design pressure and impact performance (where applicable) up to the size limitations noted. It is not intended as a guide to the installation process and does not address the sealing consideration that may arise in different wall conditions. For the complete installation procedure, see the instructions packaged with the unit or go to [www.jeld-wen.com](http://www.jeld-wen.com).

DISCLAIMER:

This drawing and its contents are confidential and are not to be reproduced or copied in whole or in part or used or disclosed to others except as authorized by JELD-WEN Inc.



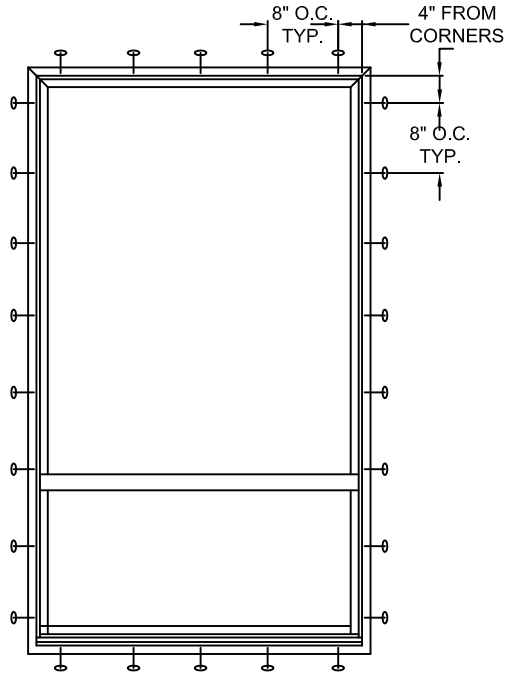
*Joseph A. Reed*

2021.06.07 15:53:11 -04'00'

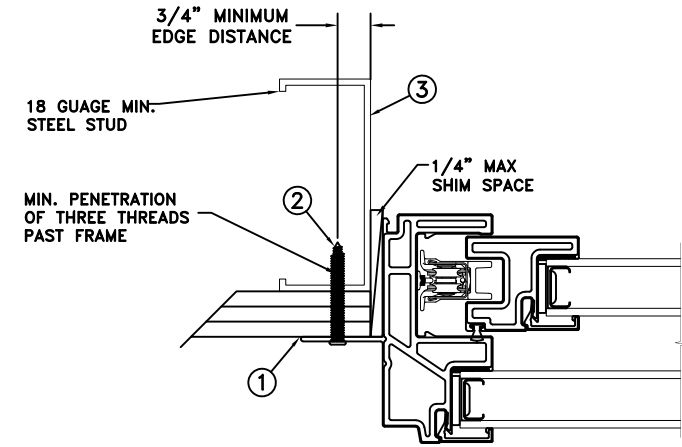
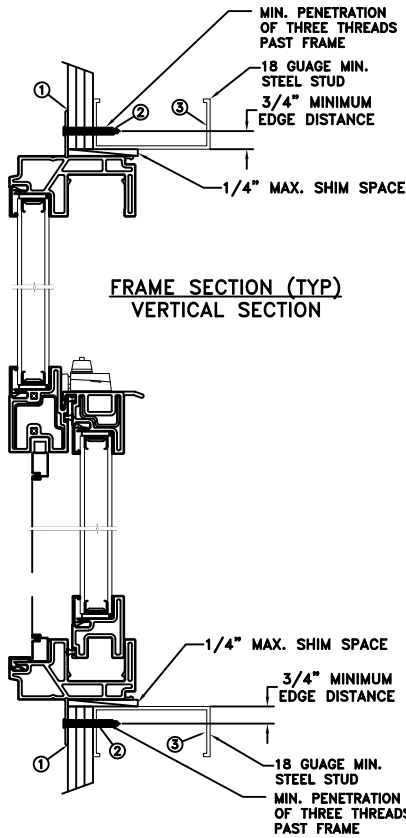
JOSEPH A. REED, P.E.  
Texas No. 100777  
5 Leigh Drive  
York, PA. 17406  
(717) 846-1200

DATE: 05/25/2021		3737 LAKEPORT BLVD. KLAMATH FALLS OR, 97601 PHONE: (800) 535-3936
DRAWN BY: J.HAWKINS		SCALE: NTS
CHECKED BY: D.BELAU	TITLE: Auraline Composite Side Load Single Hung - Reverse Cottage	
APPROVED BY: J.GOOSSEN	RECORD No.: D015631	REPORT No.: L6658.01-301-47-R0
CAD DWG. No.: AuralineCompSLSH Cert	REV: A	SHEET 2 of 10

NAILFIN/SCREW-STEEL  
INSTALLATION



TYPICAL ELEVATION WITH FASTENER SPACING



MAXIMUM FRAME	DP	IMPACT
48" x 84"	+35/-40	NO

Installation Notes:

1. Seal flange/frame to substrate. Sill shall be set on a continuous serpentine bead of structural grade silicone caulk when no fastener is used to anchor the sill (typical).
2. For anchoring through nailfin into metal framing use #10 TEK Self-Tapping screws with sufficient length to achieve a minimum penetration of three threads past the frame thickness. Steel substrate min. 18ga.,  $f_y = 33$  ksi.
3. Host structure (wood buck, masonry, steel) to be designed and anchored to properly transfer all loads to the structure. The host structure is the responsibility of the architect or engineer of record for the project of installation.

General Notes:

1. The product shown herein is designed, tested and manufactured to comply with the wind load criteria of the 2018 International Residential Code (IRC) and 2018 International Building Code (IBC).
2. All glazing shall conform to ASTM E1300.
3. Use structural or composite shims where required.

This schedule addresses only the fasteners required to anchor the unit to achieve the rated design pressure and impact performance (where applicable) up to the size limitations noted. It is not intended as a guide to the installation process and does not address the sealing consideration that may arise in different wall conditions. For the complete installation procedure, see the instructions packaged with the unit or go to [www.jeld-wen.com](http://www.jeld-wen.com).

DISCLAIMER:

This drawing and its contents are confidential and are not to be reproduced or copied in whole or in part or used or disclosed to others except as authorized by JELD-WEN Inc.

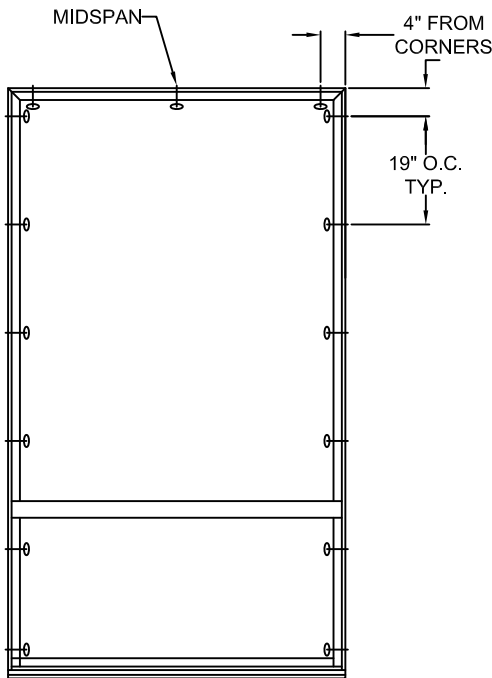


*Joseph A. Reed*

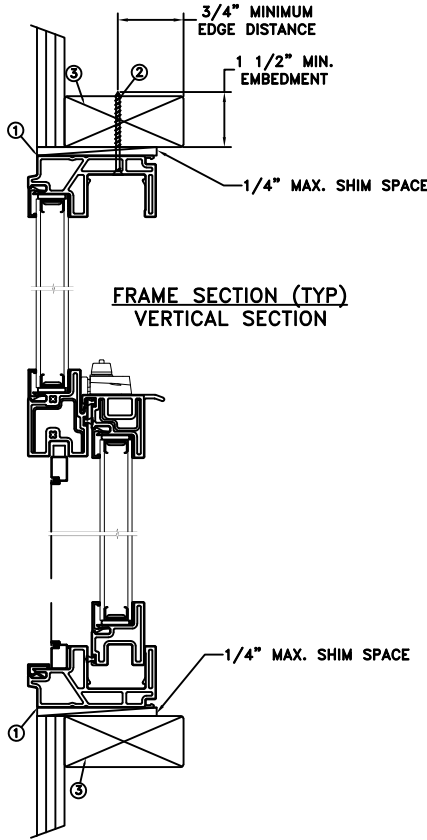
2021.06.07 15:53:11 -0400'

JOSEPH A. REED, P.E.  
Texas No. 100777  
5 Leigh Drive  
York, PA. 17406  
(717) 846-1200

DATE: 05/25/2021		3737 LAKEPORT BLVD. KLAMATH FALLS OR, 97601 PHONE: (800) 535-3936
DRAWN BY: J.HAWKINS		SCALE: NTS
CHECKED BY: D.BELAU	TITLE: Auraline Composite Side Load Single Hung - Reverse Cottage	
APPROVED BY: J.GOOSSEN	RECORD No.: D015631	REPORT No.: L6658.01-301-47-R0
CAD DWG. No.: AuralineCompSLSH Cert	REV: A	SHEET 3 of 10

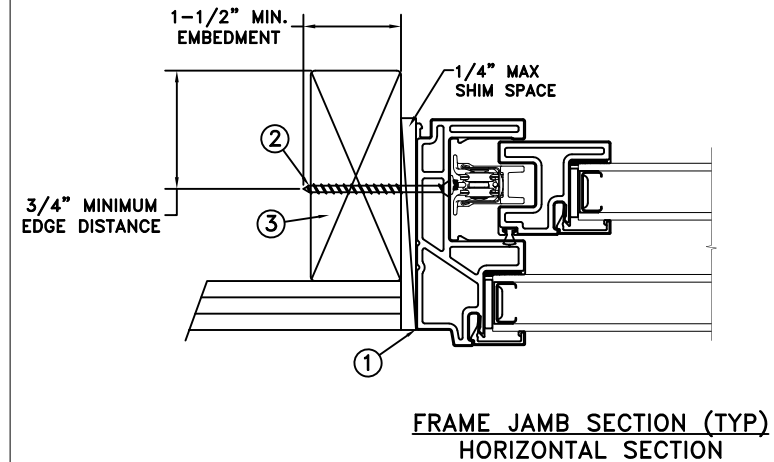


TYPICAL ELEVATION WITH FASTENER SPACING



FRAME SECTION (TYP)  
VERTICAL SECTION

THROUGH FRAME/SCREW  
WOOD INSTALLATION



FRAME JAMB SECTION (TYP)  
HORIZONTAL SECTION

MAXIMUM FRAME	DP	IMPACT
48" x 84"	+35/-40	NO

Installation Notes:

1. Seal flange/frame to substrate. Sill shall be set on a continuous serpentine bead of structural grade silicone caulk when no fasteners are used to anchor the sill (typical).
2. Use #8 PH or greater fastener through the head, side and sill with sufficient length to penetrate a minimum of 1 1/2" into the wood framing. For 2x wood frame substrate (min. S.G. = 0.42)
3. Host structure (wood buck, masonry, steel) to be designed and anchored to properly transfer all loads to the structure. The host structure is the responsibility of the architect or engineer of record for the project of installation.

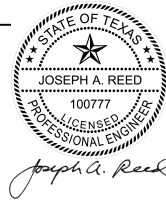
General Notes:

1. The product shown herein is designed, tested and manufactured to comply with the wind load criteria of the 2018 International Residential Code (IRC) and 2018 International Building Code (IBC).
2. All glazing shall conform to ASTM E1300.
3. Use structural or composite shims where required.

This schedule addresses only the fasteners required to anchor the unit to achieve the rated design pressure and impact performance (where applicable) up to the size limitations noted. It is not intended as a guide to the installation process and does not address the sealing consideration that may arise in different wall conditions. For the complete installation procedure, see the instructions packaged with the unit or go to [www.jeld-wen.com](http://www.jeld-wen.com).

DISCLAIMER:

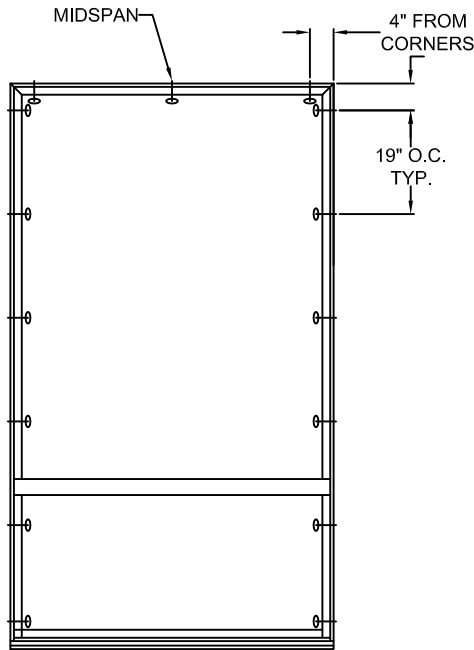
This drawing and its contents are confidential and are not to be reproduced or copied in whole or in part or used or disclosed to others except as authorized by JELD-WEN Inc.



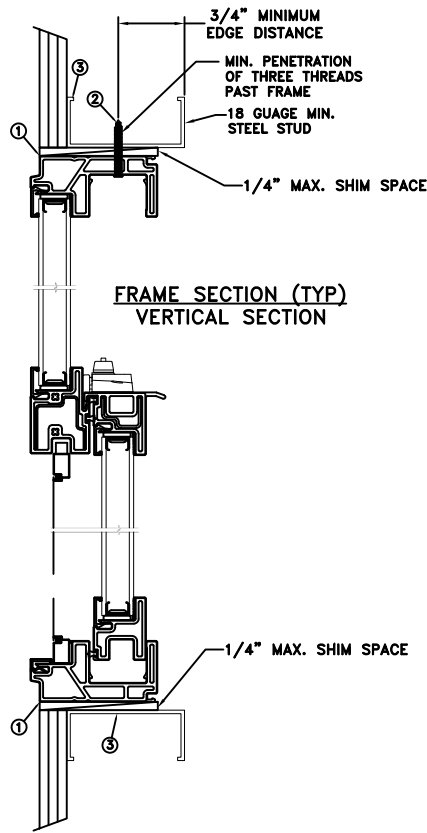
2021.06.07 15:53:11 -04'00'

JOSEPH A. REED, P.E.  
Texas No. 100777  
5 Leigh Drive  
York, PA. 17406  
(717) 846-1200

DATE: 05/25/2021		3737 LAKEPORT BLVD.
SCALE: NTS		KLAMATH FALLS OR, 97601
DRAWN BY: J.HAWKINS	<p>Auraline Composite Side Load Single Hung - Reverse Cottage</p>	PHONE: (800) 535-3936
CHECKED BY: D.BELAU		
APPROVED BY: J.GOOSSEN		
RECORD No.: D015631		
REPORT No.: L6658.01-301-47-R0	CAD DWG. No.: AuralineCompSLSH Cert	REV: A SHEET 4 of 10

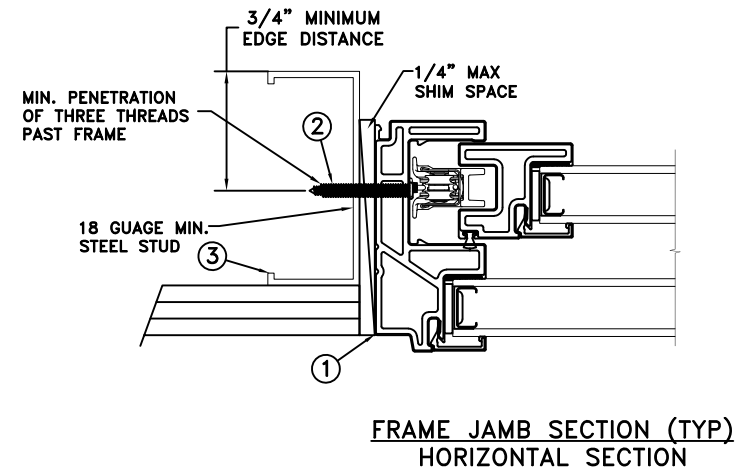


TYPICAL ELEVATION WITH FASTENER SPACING



FRAME SECTION (TYP)  
VERTICAL SECTION

THROUGH FRAME/SCREW  
STEEL INSTALLATION



FRAME JAMB SECTION (TYP)  
HORIZONTAL SECTION

MAXIMUM FRAME	DP	IMPACT
48" x 84"	+35/-40	NO

Installation Notes:

1. Seal flange/frame to substrate. Sill shall be set on a continuous serpentine bead of structural grade silicone caulk when no fastener is used to anchor the sill (typical).
2. For anchoring through head, side and sill into metal framing use #10 TEK Self-Tapping screws with sufficient length to achieve a minimum penetration of three threads past the frame thickness. Steel substrate min. 18ga., fy = 33 ksi.
3. Host structure (wood buck, masonry, steel) to be designed and anchored to properly transfer all loads to the structure. The host structure is the responsibility of the architect or engineer of record for the project of installation.

General Notes:

1. The product shown herein is designed, tested and manufactured to comply with the wind load criteria of the 2018 International Residential Code (IRC) and 2018 International Building Code (IBC).
2. All glazing shall conform to ASTM E1300.
3. Use structural or composite shims where required.

This schedule addresses only the fasteners required to anchor the unit to achieve the rated design pressure and impact performance (where applicable) up to the size limitations noted. It is not intended as a guide to the installation process and does not address the sealing consideration that may arise in different wall conditions. For the complete installation procedure, see the instructions packaged with the unit or go to [www.jeld-wen.com](http://www.jeld-wen.com).

DISCLAIMER:

This drawing and its contents are confidential and are not to be reproduced or copied in whole or in part or used or disclosed to others except as authorized by JELD-WEN Inc.



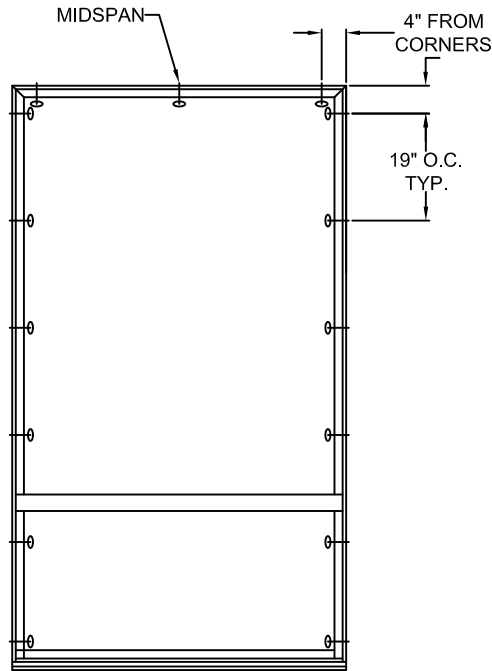
*Joseph A. Reed*

2021.06.07 15:53:11 -04'00'

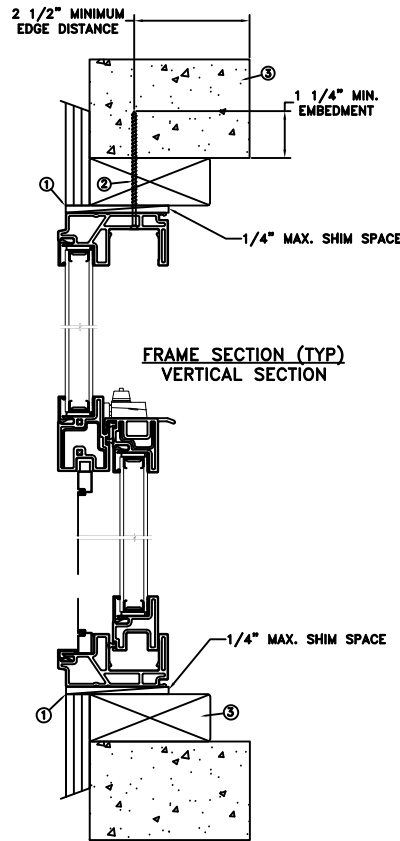
**JOSEPH A. REED, P.E.**  
Texas No. 100777  
5 Leigh Drive  
York, PA. 17406  
(717) 846-1200

DATE: 05/25/2021	3737 LAKEPORT BLVD. KLAMATH FALLS OR, 97601 PHONE: (800) 535-3936	
DRAWN BY: J.HAWKINS	SCALE: NTS	
CHECKED BY: D.BELAU	TITLE: Auraline Composite Side Load Single Hung - Reverse Cottage	
APPROVED BY: J.GOOSSEN		
RECORD No.: D015631		
REPORT No.: L6658.01-301-47-R0	CAD DWG. No.: AuralineCompSLSH Cert	REV: A SHEET 5 of 10

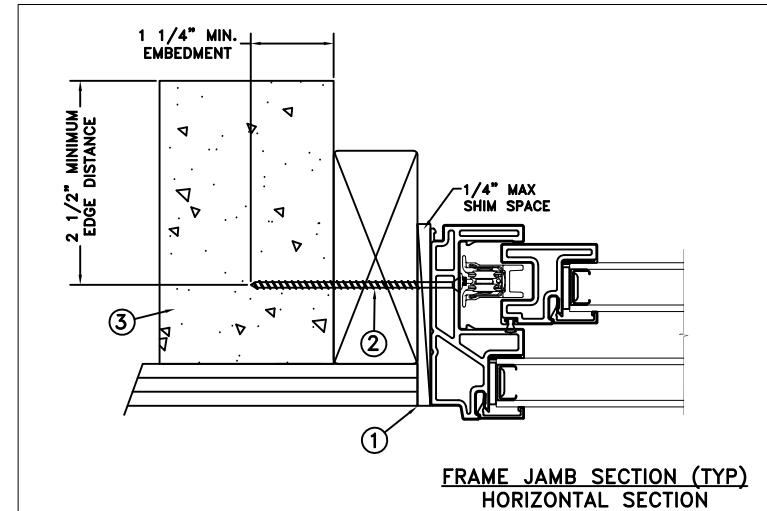
THROUGH FRAME/SCREW  
CONCRETE INSTALLATION



TYPICAL ELEVATION WITH FASTENER SPACING



FRAME SECTION (TYP)  
VERTICAL SECTION



FRAME JAMB SECTION (TYP)  
HORIZONTAL SECTION

MAXIMUM FRAME	DP	IMPACT
48" x 84"	+35/-40	NO

Installation Notes:

1. Seal flange/frame to substrate. Sill shall be set on a continuous serpentine bead of structural grade silicone caulk when no fastener is used to anchor the sill (typical).
2. Use 3/16" Tapcon or equivalent fasteners through the head, side and sill with sufficient length to penetrate a minimum of 1 1/4" into concrete or masonry at each location with a 2 1/2" min. from edge distance. For concrete (min. fc = 3000 psi) or masonry substrate (CMU shall be ASTM C90).
3. Host structure (wood buck, masonry, steel) to be designed and anchored to properly transfer all loads to the structure. The host structure is the responsibility of the architect or engineer of record for the project of installation.

General Notes:

1. The product shown herein is designed, tested and manufactured to comply with the wind load criteria of the 2018 International Residential Code (IRC) and 2018 International Building Code (IBC).
2. All glazing shall conform to ASTM E1300.
3. Use structural or composite shims where required.

This schedule addresses only the fasteners required to anchor the unit to achieve the rated design pressure and impact performance (where applicable) up to the size limitations noted. It is not intended as a guide to the installation process and does not address the sealing consideration that may arise in different wall conditions. For the complete installation procedure, see the instructions packaged with the unit or go to [www.jeld-wen.com](http://www.jeld-wen.com).

DISCLAIMER:

This drawing and its contents are confidential and are not to be reproduced or copied in whole or in part or used or disclosed to others except as authorized by JELD-WEN Inc.



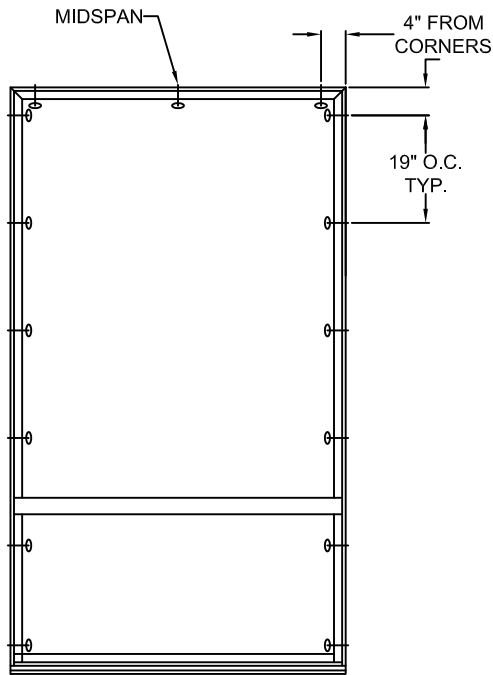
*Joseph A. Reed*

2021.06.07 15:53:11 -04'00'

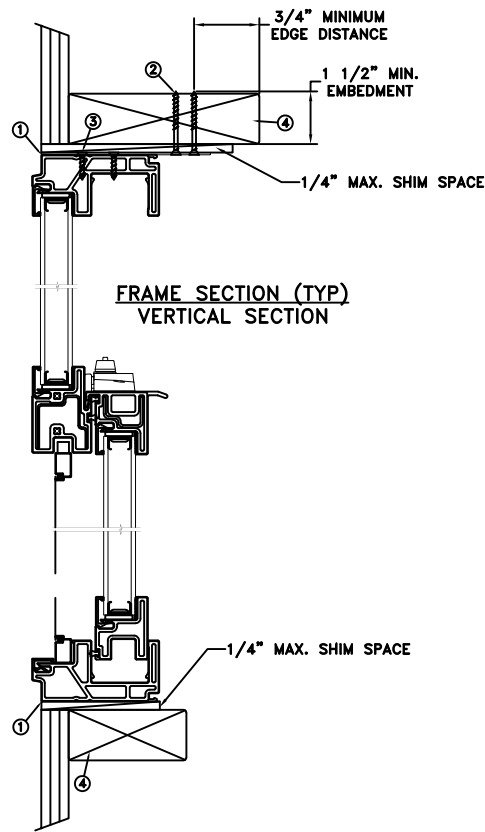
**JOSEPH A. REED, P.E.**  
Texas No. 100777  
5 Leigh Drive  
York, PA. 17406  
(717) 846-1200

DATE: 05/25/2021	<b>JELD-WEN</b> 3737 LAKEPORT BLVD. KLAMATH FALLS OR, 97601 PHONE: (800) 535-3936		
DRAWN BY: J.HAWKINS			
CHECKED BY: D.BELAU	TITLE: Auraline Composite Side Load Single Hung - Reverse Cottage		
APPROVED BY: J.GOOSSEN			
RECORD No.: D015631			
REPORT No.: L6658.01-301-47-R0	CAD DWG. No.: AuralineCompSLSH Cert	REV: A	SHEET 6 of 10

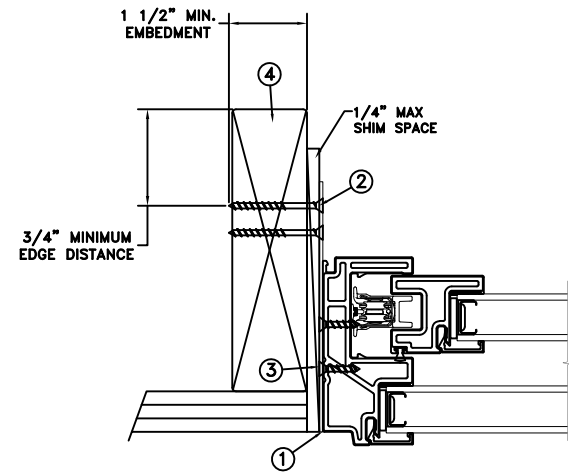
MASONRY STRAP  
WOOD/SCREW INSTALLATION



TYPICAL ELEVATION WITH FASTENER SPACING



FRAME SECTION (TYP)  
VERTICAL SECTION



FRAME JAMB SECTION (TYP)  
HORIZONTAL SECTION

MAXIMUM FRAME	DP	IMPACT
48" x 84"	+35/-40	NO

Installation Notes:

1. Seal flange/frame to substrate. Sill shall be set on a continuous serpentine bead of structural grade silicone caulk when no fastener is used to anchor the sill (typical).
2. Use 2 - #8 PFH or larger fasteners through masonry strap with sufficient length to penetrate a minimum of 1 1/2" into the buck. For 2x wood frame substrate (min. S.G. = 0.42).
3. Use 2 - #8 PFH or larger fasteners through masonry strap into jamb without penetrating through the jamb into product causing visibility or collateral damage to product.
4. Host structure (wood buck, masonry, steel) to be designed and anchored to properly transfer all loads to the structure. The host structure is the responsibility of the architect or engineer of record for the project of installation.

General Notes:

1. The product shown herein is designed, tested and manufactured to comply with the wind load criteria of the 2018 International Residential Code (IRC) and 2018 International Building Code (IBC).
2. All glazing shall conform to ASTM E1300.
3. Use structural or composite shims where required.

This schedule addresses only the fasteners required to anchor the unit to achieve the rated design pressure and impact performance (where applicable) up to the size limitations noted. It is not intended as a guide to the installation process and does not address the sealing consideration that may arise in different wall conditions. For the complete installation procedure, see the instructions packaged with the unit or go to [www.jeld-wen.com](http://www.jeld-wen.com).

DISCLAIMER:

This drawing and its contents are confidential and are not to be reproduced or copied in whole or in part or used or disclosed to others except as authorized by JELD-WEN Inc.



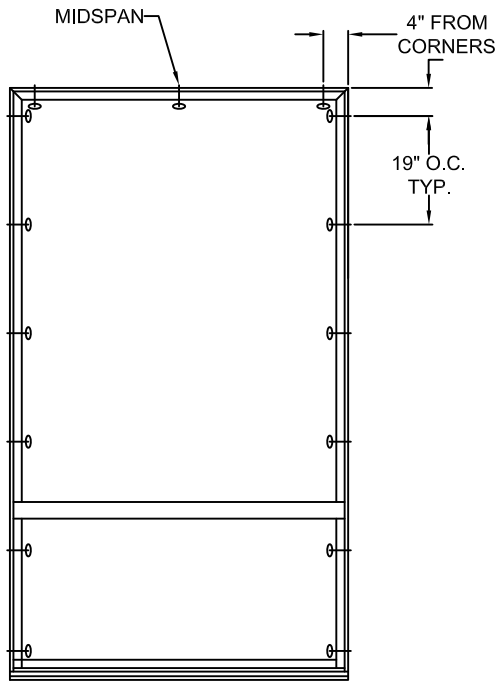
*Joseph A. Reed*

2021.06.07 15:53:11 -04'00'

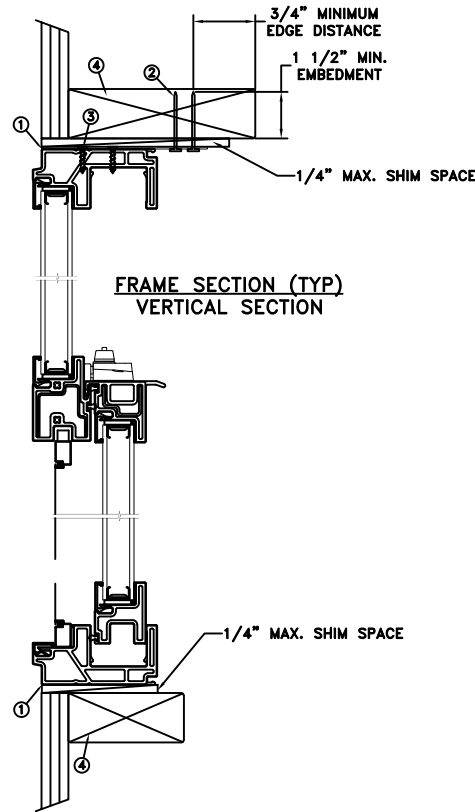
**JOSEPH A. REED, P.E.**  
Texas No. 100777  
5 Leigh Drive  
York, PA. 17406  
(717) 846-1200

	DATE: 05/25/2021	<b>JELD WEN</b> 3737 LAKEPORT BLVD. KLAMATH FALLS OR, 97601 PHONE: (800) 535-3936
DRAWN BY: J.HAWKINS	SCALE: NTS	
CHECKED BY: D.BELAU	TITLE: Auraline Composite Side Load Single Hung - Reverse Cottage	
APPROVED BY: J.GOOSSEN		
RECORD No.: D015631		
REPORT No.: L6658.01.301-47-R0	CAD DWG. No.: AuralineCompSLSH Cert	REV: A SHEET 7 of 10

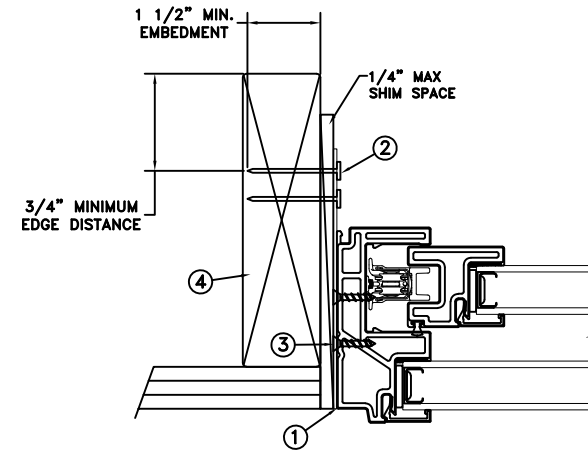
MASONRY STRAP  
WOOD/NAIL INSTALLATION



TYPICAL ELEVATION WITH FASTENER SPACING



FRAME SECTION (TYP)  
VERTICAL SECTION



FRAME JAMB SECTION (TYP)  
HORIZONTAL SECTION

MAXIMUM FRAME	DP	IMPACT
48" x 84"	+35/-40	NO

Installation Notes:

1. Seal flange/frame to substrate. Sill shall be set on a continuous serpentine bead of structural grade silicone caulk when no fastener is used to anchor the sill (typical).
2. Use 2 - 6d x 2" fasteners through masonry strap with sufficient length to penetrate a minimum of 1 1/2" into the buck. For 2x wood frame substrate (min. S.G. = 0.42).
3. Use 2 - #8 PFH or larger fasteners through masonry strap into jamb without penetrating through the jamb into product causing visibility or collateral damage to product.
4. Host structure (wood buck, masonry, steel) to be designed and anchored to properly transfer all loads to the structure. The host structure is the responsibility of the architect or engineer of record for the project of installation.

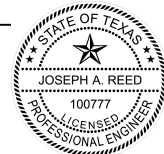
General Notes:

1. The product shown herein is designed, tested and manufactured to comply with the wind load criteria of the 2018 International Residential Code (IRC) and 2018 International Building Code (IBC).
2. All glazing shall conform to ASTM E1300.
3. Use structural or composite shims where required.

This schedule addresses only the fasteners required to anchor the unit to achieve the rated design pressure and impact performance (where applicable) up to the size limitations noted. It is not intended as a guide to the installation process and does not address the sealing consideration that may arise in different wall conditions. For the complete installation procedure, see the instructions packaged with the unit or go to [www.jeld-wen.com](http://www.jeld-wen.com).

DISCLAIMER:

This drawing and its contents are confidential and are not to be reproduced or copied in whole or in part or used or disclosed to others except as authorized by JELD-WEN Inc.



*Joseph A. Reed*

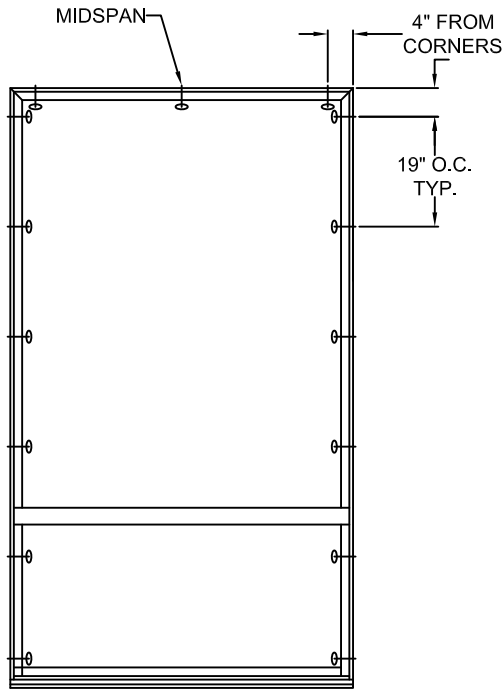
2021.06.07 15:53:11 -0400'

**JOSEPH A. REED, P.E.**  
Texas No. 100777  
5 Leigh Drive  
York, PA. 17406  
(717) 846-1200

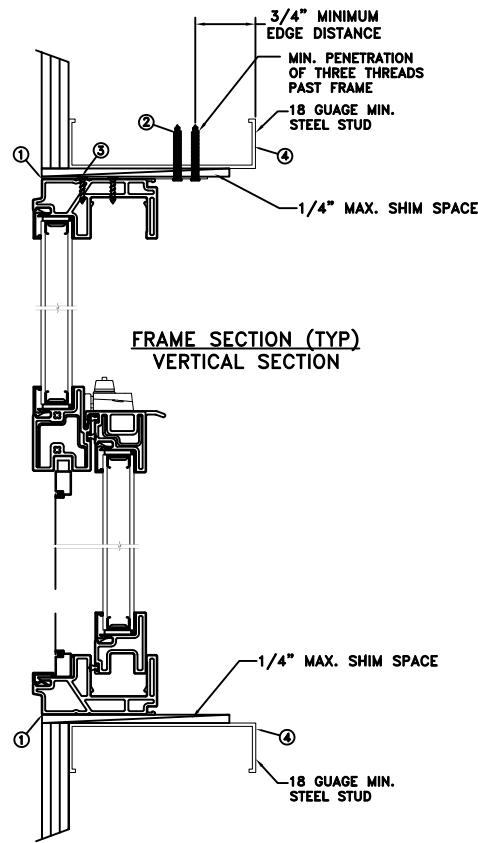
	DATE: 05/25/2021	<b>JELD-WEN</b> 3737 LAKEPORT BLVD. KLAMATH FALLS OR, 97601 PHONE: (800) 535-3936
DRAWN BY: J.HAWKINS	SCALE: NTS	
CHECKED BY: D.BELAU	TITLE: Auraline Composite Side Load Single Hung - Reverse Cottage	
APPROVED BY: J.GOOSSEN		
RECORD No.: D015631		
REPORT No.: L6658.01-301-47-R0	CAD DWG. No.: AuralineCompSLSH Cert	REV: A SHEET 8 of 10



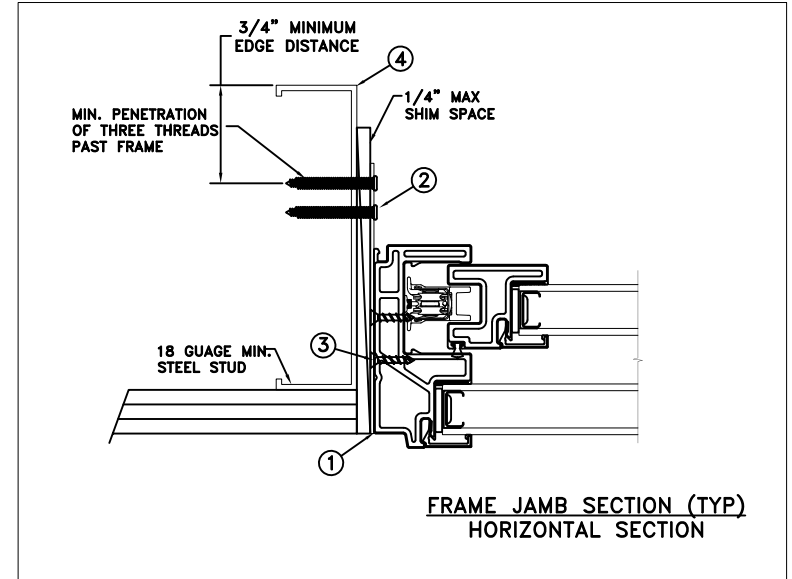
# MASONRY STRAP STEEL/SCREW INSTALLATION



TYPICAL ELEVATION WITH FASTENER SPACING



FRAME SECTION (TYP)  
VERTICAL SECTION



FRAME JAMB SECTION (TYP)  
HORIZONTAL SECTION

MAXIMUM FRAME	DP	IMPACT
48" x 84"	+35/-40	NO

**Installation Notes:**

1. Seal flange/frame to substrate. Sill shall be set on a continuous serpentine bead of structural grade silicone caulk when no fastener is used to anchor the sill (typical).
2. Use 2 - #10 TEK Self-Tapping or larger screws through masonry strap with sufficient length to achieve a minimum penetration of three threads past the frame thickness. Steel substrate min. 18ga., fy = 33 ksi.
3. Use 2 - #8 PFH or larger fasteners through masonry strap into jamb without penetrating through the jamb into product causing visibility or collateral damage to product.
4. Host structure (wood buck, masonry, steel) to be designed and anchored to properly transfer all loads to the structure. The host structure is the responsibility of the architect or engineer of record for the project of installation.

**General Notes:**

1. The product shown herein is designed, tested and manufactured to comply with the wind load criteria of the 2018 International Residential Code (IRC) and 2018 International Building Code (IBC).
2. All glazing shall conform to ASTM E1300.
3. Use structural or composite shims where required.

This schedule addresses only the fasteners required to anchor the unit to achieve the rated design pressure and impact performance (where applicable) up to the size limitations noted. It is not intended as a guide to the installation process and does not address the sealing consideration that may arise in different wall conditions. For the complete installation procedure, see the instructions packaged with the unit or go to [www.jeld-wen.com](http://www.jeld-wen.com).

**DISCLAIMER:**

This drawing and its contents are confidential and are not to be reproduced or copied in whole or in part or used or disclosed to others except as authorized by JELD-WEN Inc.



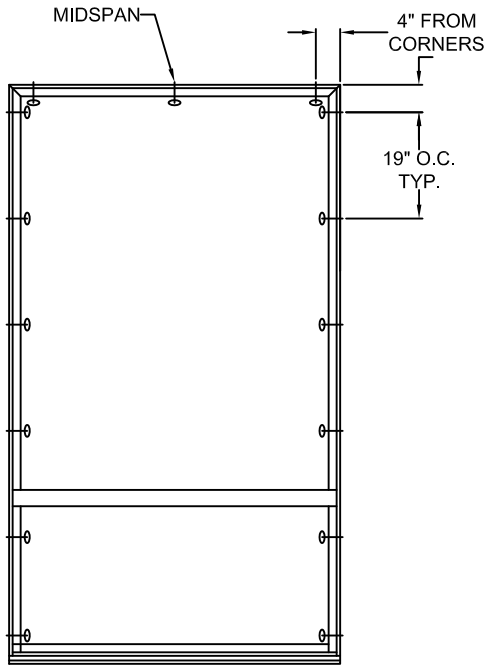
*Joseph A. Reed*

2021.06.07 15:53:11 -04'00'

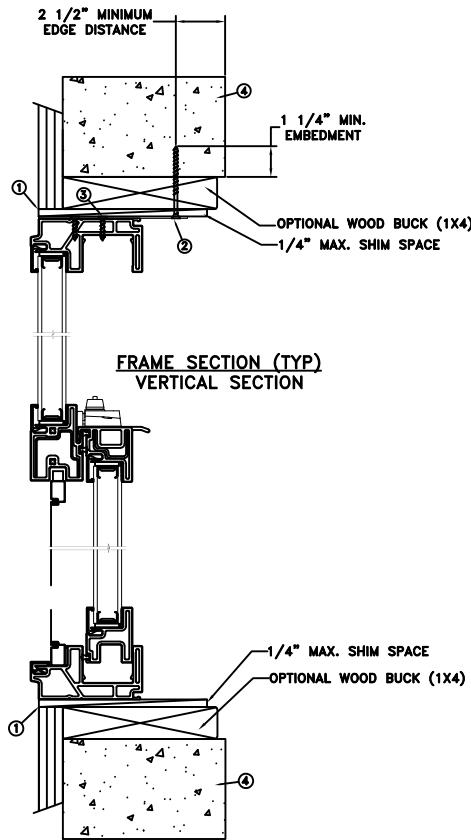
**JOSEPH A. REED, P.E.**  
 Texas No. 100777  
 5 Leigh Drive  
 York, PA. 17406  
 (717) 846-1200

DATE: 05/25/2021		3737 LAKEPORT BLVD. KLAMATH FALLS OR, 97601 PHONE: (800) 535-3936
DRAWN BY: J.HAWKINS		SCALE: NTS
CHECKED BY: D.BELAU	TITLE: Auraline Composite Side Load Single Hung - Reverse Cottage	
APPROVED BY: J.GOOSSEN	RECORD No.: D015631	
REPORT No.: L6658.01-301-47-R0	CAD DWG. No.: AuralineCompSLSH Cert	REV: A SHEET 9 of 10

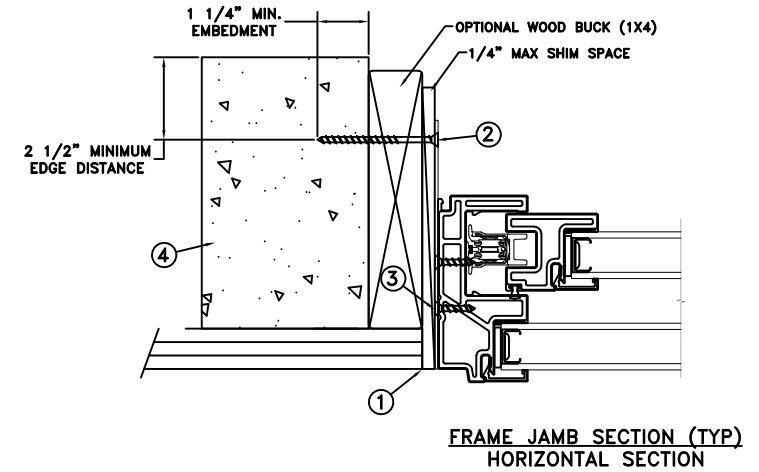
MASONRY STRAP CONCRETE SCREW INSTALLATION



TYPICAL ELEVATION WITH FASTENER SPACING



FRAME SECTION (TYP)  
VERTICAL SECTION



FRAME JAMB SECTION (TYP)  
HORIZONTAL SECTION

MAXIMUM FRAME	DP	IMPACT
48" x 84"	+35/-40	NO

Installation Notes:

1. Seal flange/frame to substrate. Sill shall be set on a continuous serpentine bead of structural grade silicone caulk when no fastener is used to anchor the sill (typical).
2. Use 1 - 3/16" Tapcon or equivalent fasteners through masonry strap with sufficient length to penetrate a minimum of 1 1/4" into the buck or concrete. For 2x wood frame substrate (min. S.G. = 0.42). For concrete (min. fc = 3000 psi) or masonry substrate (CMU shall be ASTM C90).
3. Use 2 - #8 PFH or larger fasteners through masonry strap into jamb without penetrating through the jamb into product causing visibility or collateral damage to product.
4. Host structure (wood buck, masonry, steel) to be designed and anchored to properly transfer all loads to the structure. The host structure is the responsibility of the architect or engineer of record for the project of installation.

General Notes:

1. The product shown herein is designed, tested and manufactured to comply with the wind load criteria of the 2018 International Residential Code (IRC) and 2018 International Building Code (IBC).
2. All glazing shall conform to ASTM E1300.
3. Use structural or composite shims where required.

This schedule addresses only the fasteners required to anchor the unit to achieve the rated design pressure and impact performance (where applicable) up to the size limitations noted. It is not intended as a guide to the installation process and does not address the sealing consideration that may arise in different wall conditions. For the complete installation procedure, see the instructions packaged with the unit or go to [www.jeld-wen.com](http://www.jeld-wen.com).

DISCLAIMER:

This drawing and its contents are confidential and are not to be reproduced or copied in whole or in part or used or disclosed to others except as authorized by JELD-WEN Inc.



*Joseph A. Reed*

2021.06.07 15:53:11 -0400'

**JOSEPH A. REED, P.E.**  
Texas No. 100777  
5 Leigh Drive  
York, PA. 17406  
(717) 846-1200

	DATE: 05/25/2021	<b>JELD-WEN</b> 3737 LAKEPORT BLVD. KLAMATH FALLS OR, 97601 PHONE: (800) 535-3936
DRAWN BY: J.HAWKINS	SCALE: NTS	
CHECKED BY: D.BELAU	TITLE: Auraline Composite Side Load Single Hung - Reverse Cottage	
APPROVED BY: J.GOOSSEN		
RECORD No.: D015631		
REPORT No.: L6658.01-301-47-R0	CAD DWG. No.: AuralineCompSLSH Cert	REV: A SHEET 10 of 10