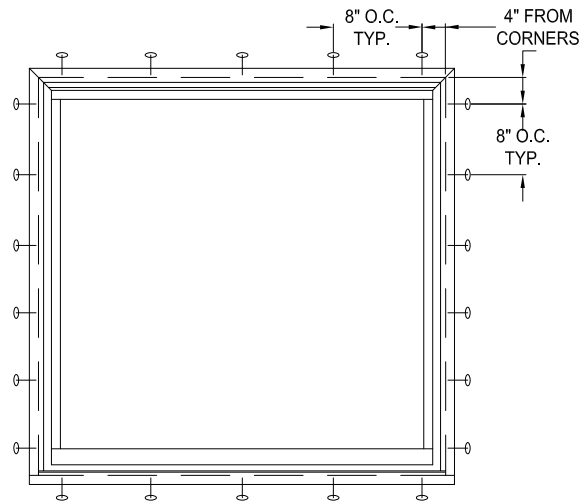
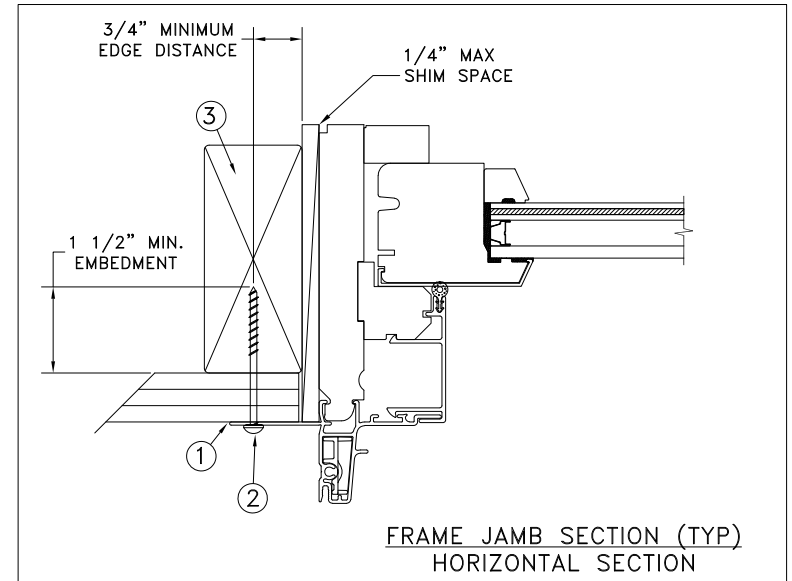
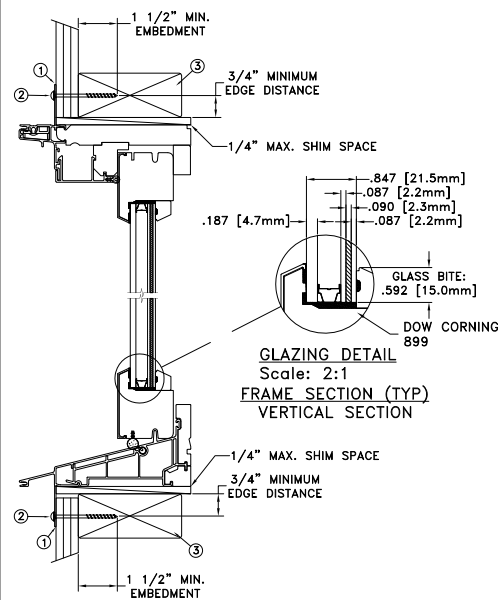


NAIL FIN INSTALLATION



TYPICAL ELEVATION WITH FASTENER SPACING



Max Frame	DP	IMPACT
61 3/8 x 60	+50/-65	YES
WINDZONE 3		

**Installation Notes:**

1. Seal flange/frame to substrate. Sill shall be set on a continuous serpentine bead of structural grade silicone caulk when no fastener is used to anchor the sill (typical).
2. Use #8 PH or greater fastener through the nailfin on all sides with sufficient length to penetrate a minimum of 1 1/2" into the wood framing. For 2x wood frame substrate (min. S.G. = 0.42)
3. Host structure (wood buck, masonry, steel) to be designed and anchored to properly transfer all loads to the structure. The host structure is the responsibility of the architect or engineer of record for the project of installation.

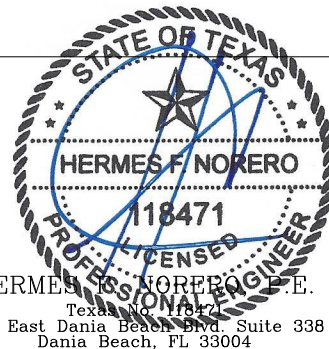
**General Notes:**

1. The product shown herein is designed, tested and manufactured to comply with the wind load criteria of the 2018 International Residential Code (IRC), the 2018 International Building Code (IBC).
2. All glazing shall conform to ASTM E1300.
3. At minimum, glazing is 4.7mm annealed - 10.1mm airspace - 2.2mm annealed - 2.3mm PVB interlayer by Kuraray - 2.2mm annealed insulating glass.
4. Use structural or composite shims where required.

This schedule addresses only the fasteners required to anchor the window to achieve the rated design pressure and impact performance (where applicable) up to the size limitations noted. It is not intended as a guide to the installation process and does not address the sealing consideration that may arise in different wall conditions. For the complete installation procedure, see the instructions packaged with the window or go to [www.jeld-wen.com/resources/installation](http://www.jeld-wen.com/resources/installation).

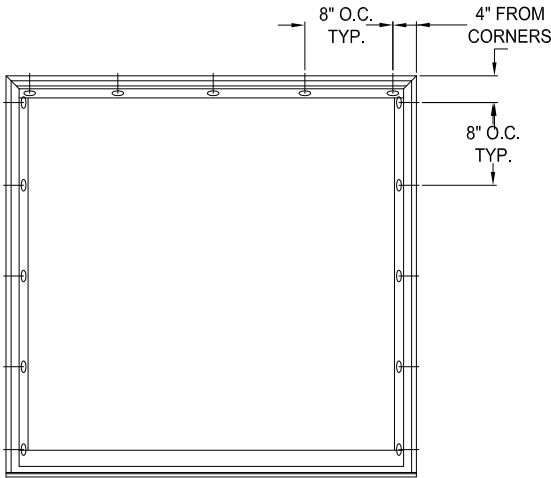
**DISCLAIMER:**

This drawing and its contents are confidential and are not to be reproduced or copied in whole or in part or used or disclosed to others except as authorized by JELD-WEN Inc.

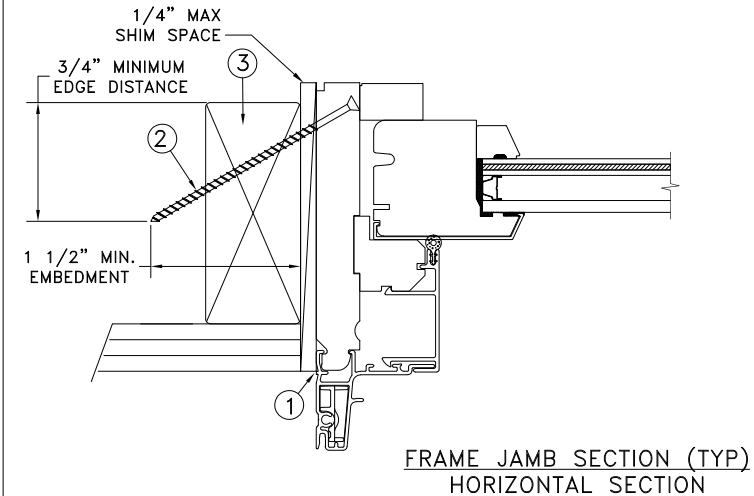
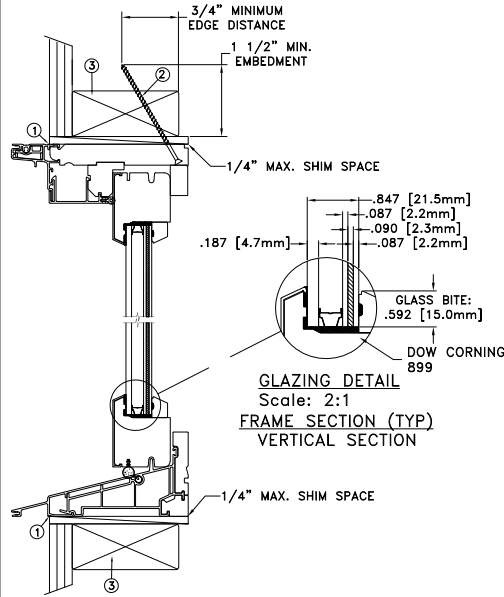


DATE: 07/21/2020	3737 LAKEPORT BLVD. <b>JELD WEN</b> KLAMATH FALLS OR, 97601 PHONE: (800) 535-3936
DRAWN BY: J.HAWKINS	SCALE: NTS
CHECKED BY: C.ABBOTT	TITLE: Siteline Clad Double Hung Picture Window - Impact
APPROVED BY: D.STOKES	
RECORD No.: D012102	
REPORT No.: SJW2015-142	CAD DWG. No.: SiteLineCLDHPW Cert
	REV: A SHEET 1 of 5

THROUGH FRAME  
INSTALLATION



TYPICAL ELEVATION WITH FASTENER SPACING



Max Frame	DP	IMPACT
61 3/8 x 60	+50/-65	YES
WINDZONE 3		

**Installation Notes:**

1. Seal flange/frame to substrate. Sill shall be set on a continuous serpentine bead of structural grade silicone caulk when no fastener is used to anchor the sill (typical).
2. Use #8 PH or greater fastener through the frame with sufficient length to penetrate a minimum of 1 1/2" into the wood framing. For 2x wood frame substrate (min. S.G. = 0.42)
3. Host structure (wood buck, masonry, steel) to be designed and anchored to properly transfer all loads to the structure. The host structure is the responsibility of the architect or engineer of record for the project of installation.

**General Notes:**

1. The product shown herein is designed, tested and manufactured to comply with the wind load criteria of the 2018 International Residential Code (IRC), the 2018 International Building Code (IBC).
2. All glazing shall conform to ASTM E1300.
3. At minimum, glazing is 4.7mm annealed - 10.1mm airspace - 2.2mm annealed - 2.3mm PVB interlayer by Kuraray - 2.2mm annealed insulating glass.
4. Use structural or composite shims where required.

This schedule addresses only the fasteners required to anchor the window to achieve the rated design pressure and impact performance (where applicable) up to the size limitations noted. It is not intended as a guide to the installation process and does not address the sealing consideration that may arise in different wall conditions. For the complete installation procedure, see the instructions packaged with the window or go to [www.jeld-wen.com/resources/installation](http://www.jeld-wen.com/resources/installation).

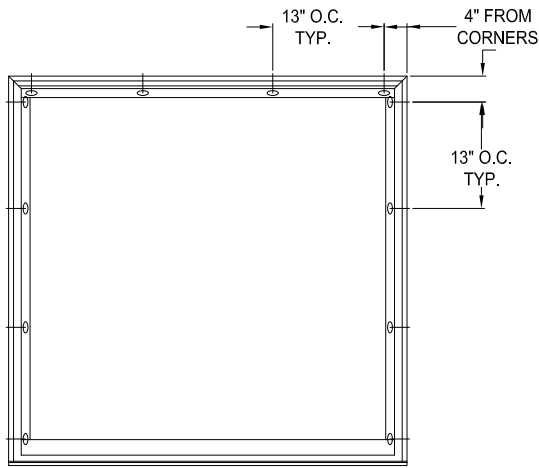
**DISCLAIMER:**  
This drawing and its contents are confidential and are not to be reproduced or copied in whole or in part or used or disclosed to others except as authorized by JELD-WEN Inc.



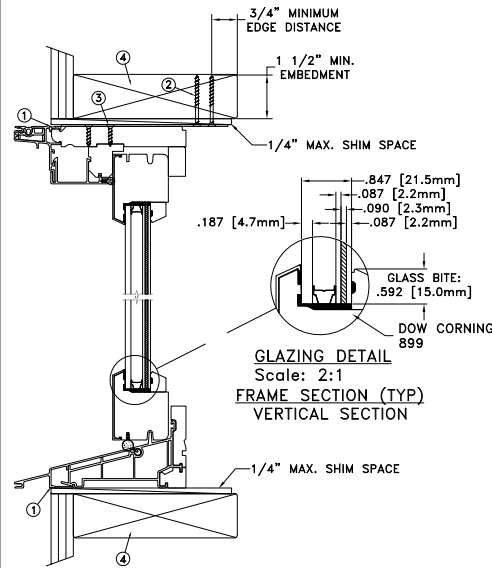
HERMES F. NORERO, P.E.  
Texas License No. 118471  
398 East Dania Beach Blvd, Suite 338  
Dania Beach, FL 33004

DATE: 07/21/2020	 3737 LAKEPORT BLVD. KLAMATH FALLS OR, 97601 PHONE: (800) 535-3936
DRAWN BY: J.HAWKINS	
CHECKED BY: C.ABBOTT	TITLE: <p style="text-align: center;">Sitrine Clad Double Hung Picture Window - Impact</p>
APPROVED BY: D.STOKES	
RECORD No.:	
REPORT No.:	CAD DWG. No.: SiteLineCLDHPW Cert
SJW2015-142	REV: A SHEET 2 of 5

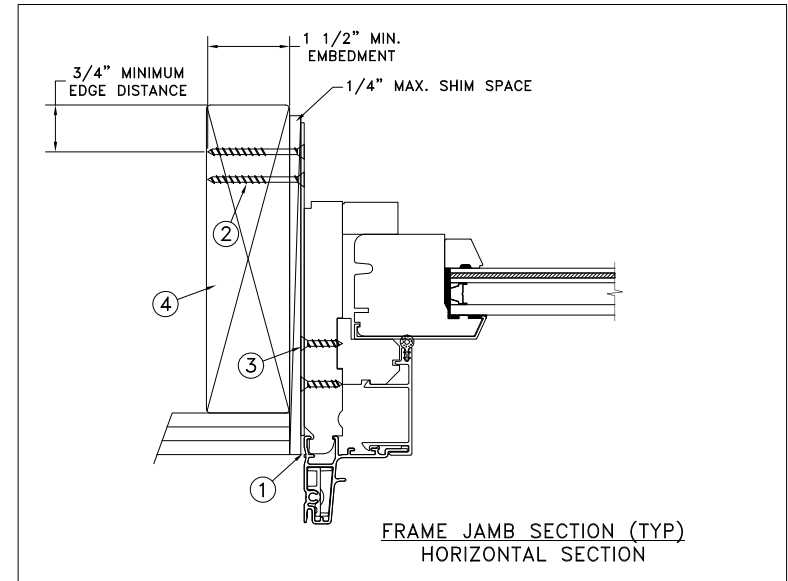
MASONRY STRAP  
INSTALLATION



TYPICAL ELEVATION WITH FASTENER SPACING



GLAZING DETAIL  
Scale: 2:1  
FRAME SECTION (TYP)  
VERTICAL SECTION



FRAME JAMB SECTION (TYP)  
HORIZONTAL SECTION

Max Frame	DP	IMPACT
61 3/8 x 60	+50/-65	YES
WINDZONE 3		

**Installation Notes:**

1. Seal flange/frame to substrate. Sill shall be set on a continuous serpentine bead of structural grade silicone caulk when no fastener is used to anchor the sill (typical).
2. Use 2-#8 PFH or larger fasteners through masonry strap with sufficient length to penetrate a minimum of 1 1/2" into the buck. For 2x wood frame substrate (min. S.G. = 0.42).
3. Use 2-#8 PFH or larger fasteners through masonry strap into jamb without penetrating through the jamb into product causing visibility or collateral damage to product.
4. Host structure (wood buck, masonry, steel) to be designed and anchored to properly transfer all loads to the structure. The host structure is the responsibility of the architect or engineer of record for the project of installation.

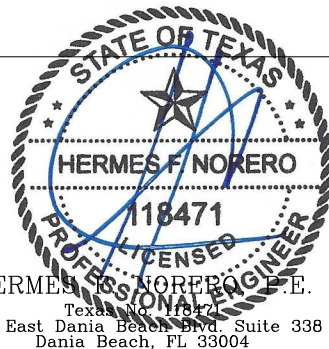
**General Notes:**

1. The product shown herein is designed, tested and manufactured to comply with the wind load criteria of the 2018 International Residential Code (IRC), the 2018 International Building Code (IBC).
2. All glazing shall conform to ASTM E1300.
3. At minimum, glazing is 4.7mm annealed - 10.1mm airspace - 2.2mm annealed - 2.3mm PVB interlayer by Kuraray - 2.2mm annealed insulating glass.
4. Use structural or composite shims where required.
5. Masonry Strap Specifications: 20 Ga. galvanized steel, .096" min. thickness x 1.5" min. width.

This schedule addresses only the fasteners required to anchor the window to achieve the rated design pressure and impact performance (where applicable) up to the size limitations noted. It is not intended as a guide to the installation process and does not address the sealing consideration that may arise in different wall conditions. For the complete installation procedure, see the instructions packaged with the window or go to [www.jeld-wen.com/resources/installation](http://www.jeld-wen.com/resources/installation).

**DISCLAIMER:**

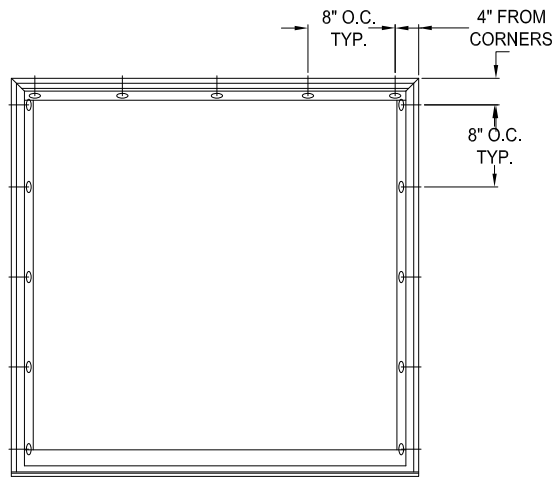
This drawing and its contents are confidential and are not to be reproduced or copied in whole or in part or used or disclosed to others except as authorized by JELD-WEN Inc.



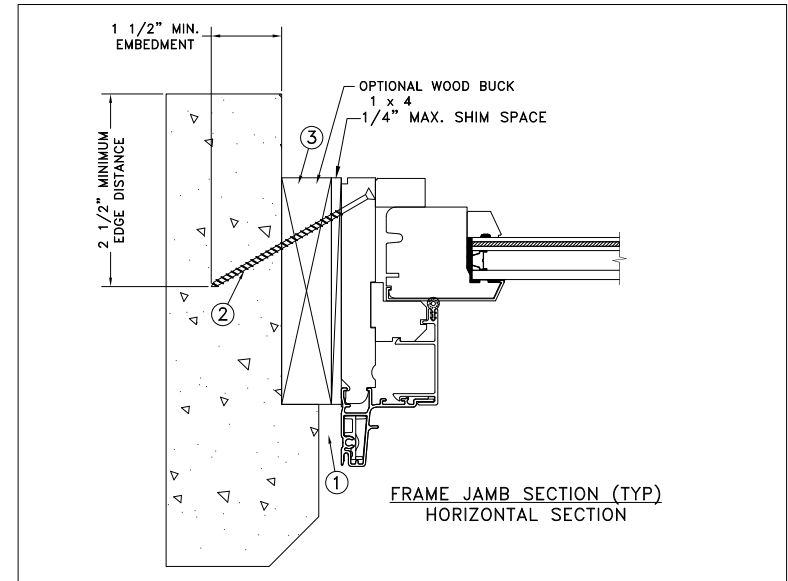
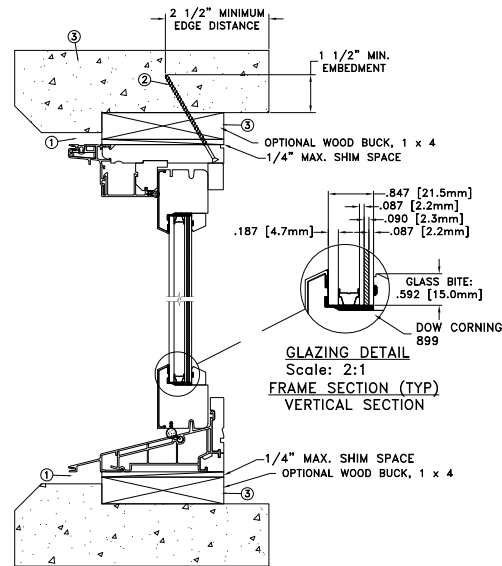
HERMES F. NORERO, E.E.  
398 East Dania Beach Blvd, Suite 338  
Dania Beach, FL 33004

DATE: 07/21/2020		3737 LAKEPORT BLVD. KLAMATH FALLS OR, 97601 PHONE: (800) 535-3936
DRAWN BY: J.HAWKINS		SCALE: NTS
CHECKED BY: C.ABBOTT	TITLE: SiteLine Clad Double Hung Picture Window - Impact	
APPROVED BY: D.STOKES	RECORD No.:	
	D012102	
	REPORT No.:	
	SJW2015-142	
CAD DWG. No.:	REV:	SHEET
SiteLineCLDHPW Cert	A	3 of 5

CONCRETE/MASONRY  
INSTALLATION



TYPICAL ELEVATION WITH FASTENER SPACING



Max Frame	DP	IMPACT
61 3/8 x 60	+50/-65	YES
WINDZONE 3		

**Installation Notes:**

1. Seal flange/frame to substrate. Sill shall be set on a continuous serpentine bead of structural grade silicone caulk when no fastener is used to anchor the sill (typical).
2. Use 3/16" tapcon or equivalent fasteners through frame with sufficient length to penetrate a minimum of 1 1/2" into concrete or masonry at each location with a 2 1/2" min. from edge distance. For concrete (min. fc = 3000 psi) or masonry substrate (CMU shall adhere to ASTM C90).
3. Host structure (wood buck, masonry, steel) to be designed and anchored to properly transfer all loads to the structure. The host structure is the responsibility of the architect or engineer of record for the project of installation.

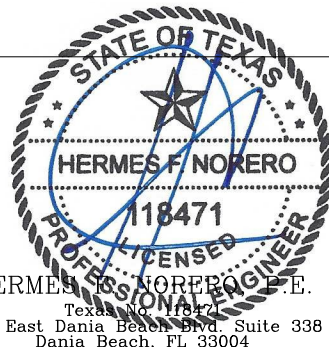
**General Notes:**

1. The product shown herein is designed, tested and manufactured to comply with the wind load criteria of the 2018 International Residential Code (IRC), the 2018 International Building Code (IBC).
2. All glazing shall conform to ASTM E1300.
3. At minimum, glazing is 4.7mm annealed - 10.1mm airspace - 2.2mm annealed - 2.3mm PVB interlayer by Kuraray - 2.2mm annealed insulating glass.
4. Use structural or composite shims where required.

This schedule addresses only the fasteners required to anchor the window to achieve the rated design pressure and impact performance (where applicable) up to the size limitations noted. It is not intended as a guide to the installation process and does not address the sealing consideration that may arise in different wall conditions. For the complete installation procedure, see the instructions packaged with the window or go to [www.jeld-wen.com/resources/installation](http://www.jeld-wen.com/resources/installation).

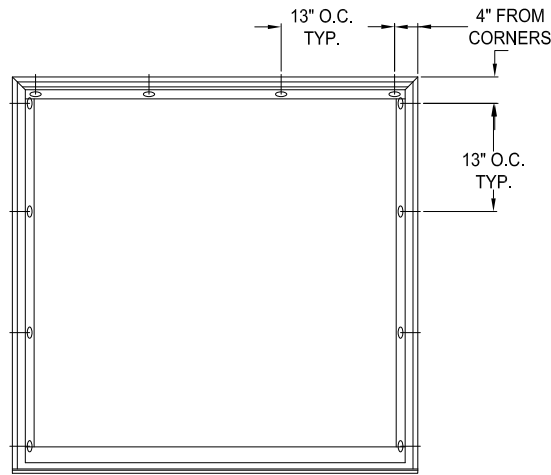
**DISCLAIMER:**

This drawing and its contents are confidential and are not to be reproduced or copied in whole or in part or used or disclosed to others except as authorized by JELD-WEN Inc.

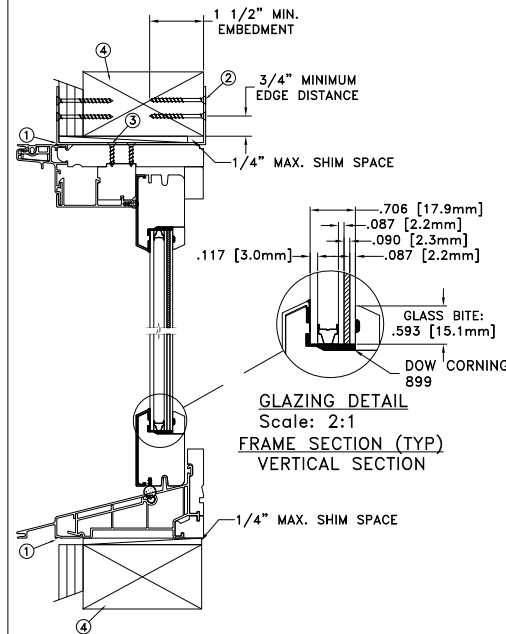


DATE: 07/21/2020		3737 LAKEPORT BLVD. KLAMATH FALLS OR, 97601 PHONE: (800) 535-3936
DRAWN BY: J.HAWKINS		SCALE: NTS
CHECKED BY: C.ABBOTT	TITLE: Sitrine Clad Double Hung Picture Window - Impact	
APPROVED BY: D.STOKES	RECORD No.:	
	D012102	
	REPORT No.:	
	SJW2015-142	
CAD DWG. No.:	REV:	SHEET
SiteLineCLDHPW Cert	A	4 of 5

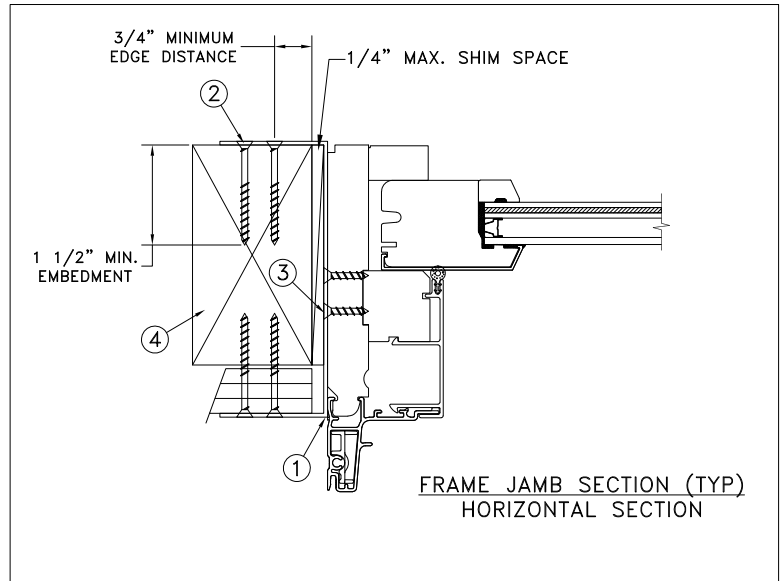
MASONRY STRAP  
INSTALLATION



TYPICAL ELEVATION WITH FASTENER SPACING



GLAZING DETAIL  
Scale: 2:1  
FRAME SECTION (TYP)  
VERTICAL SECTION



FRAME JAMB SECTION (TYP)  
HORIZONTAL SECTION

Max Frame	DP	IMPACT
61 3/8 x 60	+50/-65	YES
WINDZONE 3		

**Installation Notes:**

1. Seal flange/frame to substrate. Sill shall be set on a continuous serpentine bead of structural grade silicone caulk when no fastener is used to anchor the sill (typical).
2. Use min. 2 - #8 PFH or larger fasteners through masonry strap with sufficient length to penetrate a minimum of 1 1/2" into the buck. Bend straps around both sides of the buck. For 2x wood frame substrate (min. S.G. = 0.42).
3. Use min. 2 - #8 PFH or larger fasteners through masonry strap into jamb without penetrating through the jamb into product causing visibility or collateral damage to product.
4. Host structure (wood buck, masonry, steel) to be designed and anchored to properly transfer all loads to the structure. The host structure is the responsibility of the architect or engineer of record for the project of installation.

**General Notes:**

1. The product shown herein is designed, tested and manufactured to comply with the wind load criteria of the 2018 International Residential Code (IRC), the 2018 International Building Code (IBC).
2. All glazing shall conform to ASTM E1300.
3. At minimum, glazing is 4.7mm annealed - 10.1mm airspace - 2.2mm annealed - 2.3mm PVB interlayer by Kuraray - 2.2mm annealed insulating glass.
4. Use structural or composite shims where required.
5. Masonry strap specifications: 20 Ga. galvanized steel, .096" min. thickness x 1.5" min. width.

This schedule addresses only the fasteners required to anchor the window to achieve the rated design pressure and impact performance (where applicable) up to the size limitations noted. It is not intended as a guide to the installation process and does not address the sealing consideration that may arise in different wall conditions. For the complete installation procedure, see the instructions packaged with the window or go to [www.jeld-wen.com/resources/installation](http://www.jeld-wen.com/resources/installation).

**DISCLAIMER:**

This drawing and its contents are confidential and are not to be reproduced or copied in whole or in part or used or disclosed to others except as authorized by JELD-WEN Inc.



HERMES F. NORERO, P.E.  
Professional Engineer  
398 East Dania Beach Blvd, Suite 338  
Dania Beach, FL 33004

DATE: 07/21/2020	 3737 LAKEPORT BLVD. KLAMATH FALLS OR, 97601 PHONE: (800) 535-3936
DRAWN BY: J.HAWKINS	
CHECKED BY: C.ABBOTT	SCALE: NTS
APPROVED BY: D.STOKES	TITLE: Siteline Clad Double Hung Picture Window - Impact
RECORD No.:	D012102
REPORT No.:	SJW2015-142
CAD DWG. No.:	SiteLineCLDHPW Cert
REV:	A
SHEET	5 of 5