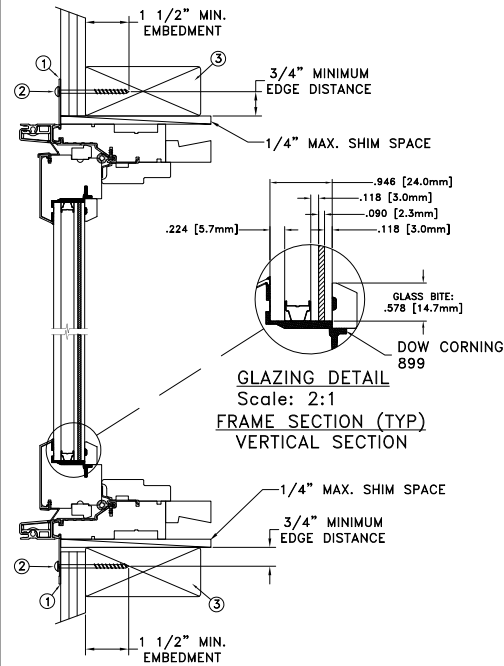
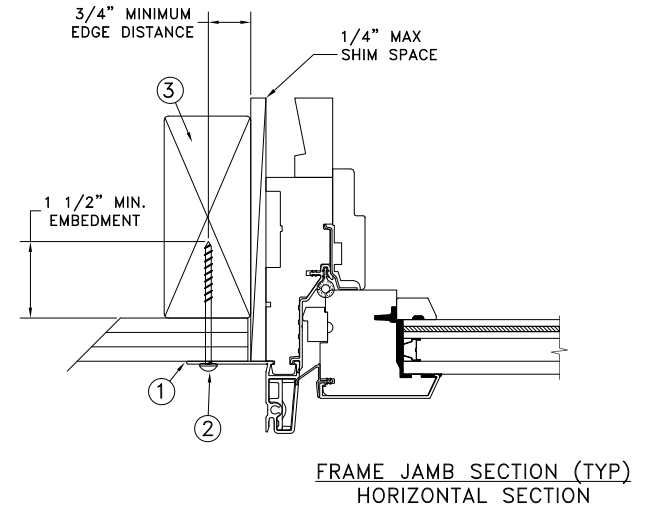


TYPICAL ELEVATION WITH FASTENER SPACING



GLAZING DETAIL  
Scale: 2:1  
FRAME SECTION (TYP)  
VERTICAL SECTION

NAILFIN INSTALLATION



FRAME JAMB SECTION (TYP)  
HORIZONTAL SECTION

MAXIMUM FRAME	DP	IMPACT
48 x 84	+50/-65	YES

WINDZONE 3

Installation Notes:

1. Seal flange/frame to substrate. Sill shall be set on a continuous serpentine bead of structural grade silicone caulk when no fastener is used to anchor the sill (typical).
2. Use #8 PH or greater fastener through the nailing flange with sufficient length to penetrate a minimum of 1 1/2" into the wood framing. For 2x wood frame substrate (min. S.G. = 0.42)
3. Host structure (wood buck, masonry, steel) to be designed and anchored to properly transfer all loads to the structure. The host structure is the responsibility of the architect or engineer of record for the project of installation.

General Notes:

1. The product shown herein is designed, tested and manufactured to comply with the wind load criteria of the 2018 International Residential Code (IRC), the 2018 International Building Code (IBC).
2. All glazing shall conform to ASTM E1300.
3. At minimum, glazing is 5.7mm annealed - 10.1mm airspace - 3.0mm annealed - 2.3mm SGP interlayer by Kuraray - 3.0mm annealed insulating glass.
4. Use structural or composite shims where required.

This schedule addresses only the fasteners required to anchor the unit to achieve the rated design pressure and impact performance (where applicable) up to the size limitations noted. It is not intended as a guide to the installation process and does not address the sealing consideration that may arise in different wall conditions. For the complete installation procedure, see the instructions packaged with the unit or go to [www.jeld-wen.com](http://www.jeld-wen.com).

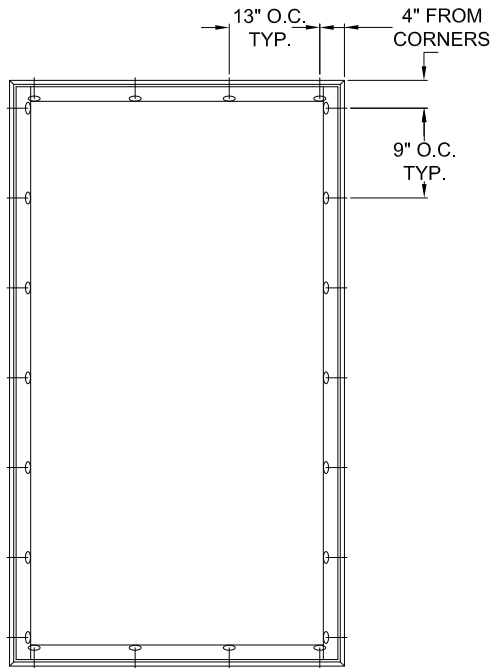
DISCLAIMER:

This drawing and its contents are confidential and are not to be reproduced or copied in whole or in part or used or disclosed to others except as authorized by JELD-WEN Inc.

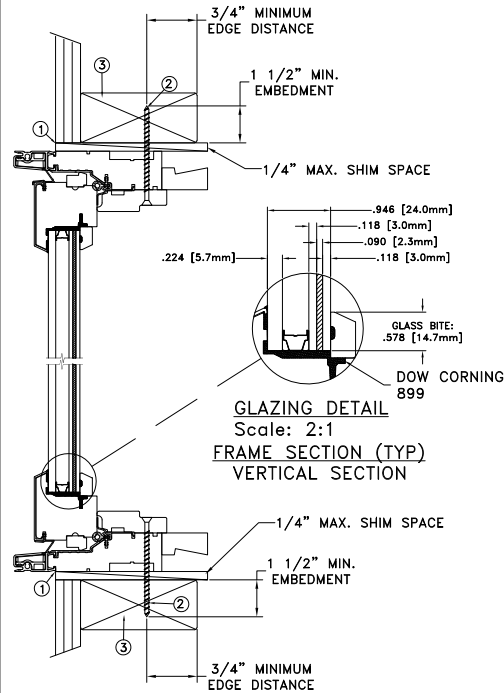


HERMES F. NORERO, P.E.  
398 East Dania Beach Blvd, Suite 338  
Dania Beach, FL 33004

DATE: 06/12/2020	 3737 LAKEPORT BLVD. KLAMATH FALLS OR, 97601 PHONE: (800) 535-3936	
DRAWN BY: J.HAWKINS		
CHECKED BY: K.CAMPBELL	SCALE: NTS	
APPROVED BY: D.STOKES	TITLE: Sitrine Clad Casement Stationary Window - Impact	
RECORD No.: D009404		
REPORT No.: SJW2015-120		
CAD DWG. No.: SitrineCLCsmtStalMP Cert	REV: A	SHEET 1 of 5

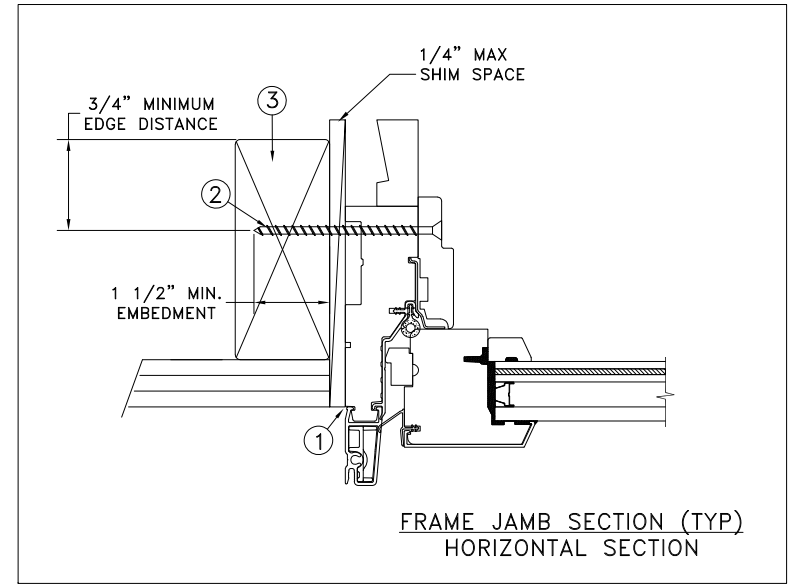


TYPICAL ELEVATION WITH FASTENER SPACING



GLAZING DETAIL  
Scale: 2:1  
FRAME SECTION (TYP)  
VERTICAL SECTION

THROUGH FRAME  
INSTALLATION



FRAME JAMB SECTION (TYP)  
HORIZONTAL SECTION

MAXIMUM FRAME	DP	IMPACT
48 x 84	+50/-65	YES

WINDZONE 3

**Installation Notes:**

1. Seal flange/frame to substrate. Sill shall be set on a continuous serpentine bead of structural grade silicone caulk when no fastener is used to anchor the sill (typical).
2. Use #8 PH or greater fastener through the head & side jambs with sufficient length to penetrate a minimum of 1 1/2" into the wood framing. For 2x wood frame substrate (min. S.G. = 0.42)
3. Host structure (wood buck, masonry, steel) to be designed and anchored to properly transfer all loads to the structure. The host structure is the responsibility of the architect or engineer of record for the project of installation.

**General Notes:**

1. The product shown herein is designed, tested and manufactured to comply with the wind load criteria of the 2018 International Residential Code (IRC), the 2018 International Building Code (IBC).
2. All glazing shall conform to ASTM E1300.
3. At minimum, glazing is 5.7mm annealed - 10.1mm airspace - 3.0mm annealed - 2.3mm SGP interlayer by Kuraray - 3.0mm annealed insulating glass.
4. Use structural or composite shims where required.


This schedule addresses only the fasteners required to anchor the unit to achieve the rated design pressure and impact performance (where applicable) up to the size limitations noted. It is not intended as a guide to the installation process and does not address the sealing consideration that may arise in different wall conditions. For the complete installation procedure, see the instructions packaged with the unit or go to [www.jeld-wen.com](http://www.jeld-wen.com).

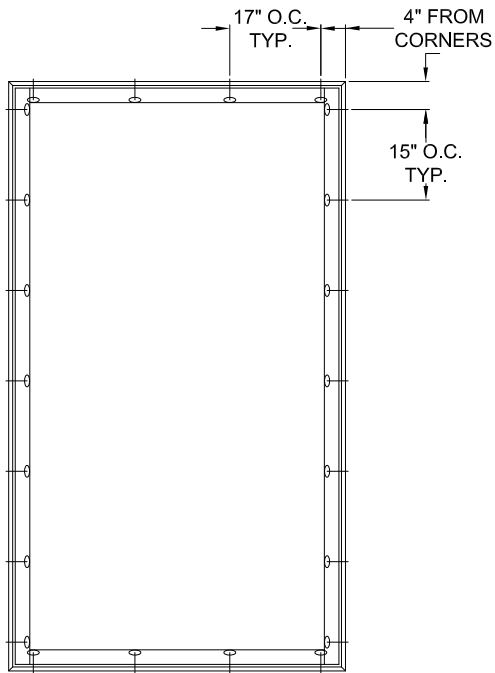
**DISCLAIMER:**

This drawing and its contents are confidential and are not to be reproduced or copied in whole or in part or used or disclosed to others except as authorized by JELD-WEN Inc.

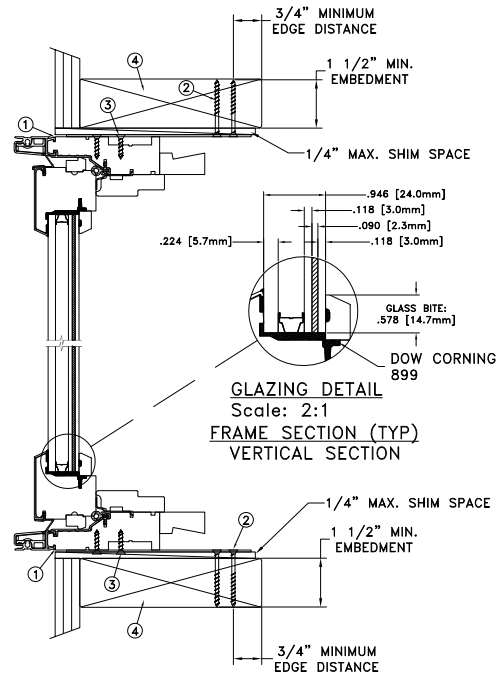


HERMES F. NORERO, P.E.  
398 East Dania Beach Blvd, Suite 338  
Dania Beach, FL 33004

DATE: 06/12/2020	 3737 LAKEPORT BLVD. KLAMATH FALLS OR, 97601 PHONE: (800) 535-3936	
DRAWN BY: J.HAWKINS		
CHECKED BY: K.CAMPBELL	SCALE: NTS	
APPROVED BY: D.STOKES	TITLE: Siteline Clad Casement Stationary Window - Impact	
RECORD No.: D009404		
REPORT No.: SJW2015-120		
CAD DWG. No.: SitelineCLCsmtStalMP Cert	REV: A	SHEET 2 of 5

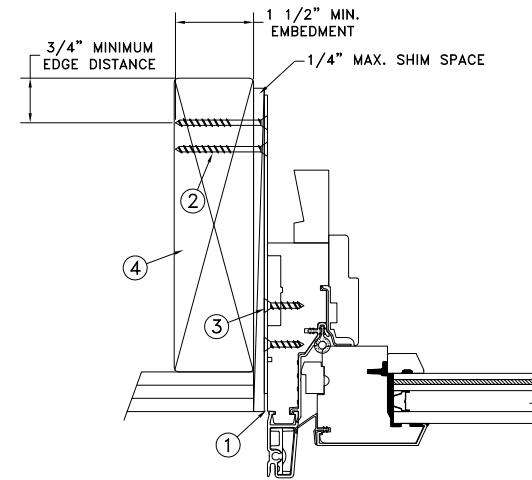


TYPICAL ELEVATION WITH FASTENER SPACING



GLAZING DETAIL  
Scale: 2:1  
FRAME SECTION (TYP)  
VERTICAL SECTION

MASONRY STRAP  
INSTALLATION



FRAME JAMB SECTION (TYP)  
HORIZONTAL SECTION

MAXIMUM FRAME	DP	IMPACT
48 x 84	+50/-65	YES

WINDZONE 3

**Installation Notes:**

1. Seal flange/frame to substrate. Sill shall be set on a continuous serpentine bead of structural grade silicone caulk when no fastener is used to anchor the sill (typical).
2. Use 2 - #8 PFH or larger fasteners through masonry strap with sufficient length to penetrate a minimum of 1 1/2" into the buck. For 2x wood frame substrate (min. S.G. = 0.42).
3. Use 2 - #8 PFH or larger fasteners through masonry strap into jamb without penetrating through the jamb into product causing visibility or collateral damage to product.
4. Host structure (wood buck, masonry, steel) to be designed and anchored to properly transfer all loads to the structure. The host structure is the responsibility of the architect or engineer of record for the project of installation.

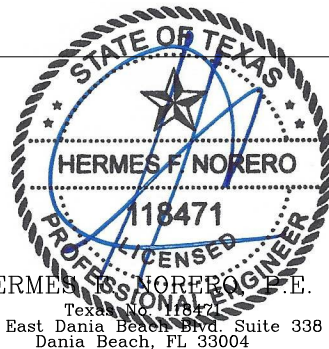
**General Notes:**

1. The product shown herein is designed, tested and manufactured to comply with the wind load criteria of the 2018 International Residential Code (IRC), the 2018 International Building Code (IBC).
2. All glazing shall conform to ASTM E1300.
3. At minimum, glazing is 5.7mm annealed - 10.1mm airspace - 3.0mm annealed - 2.3mm SGP interlayer by Kuraray - 3.0mm annealed insulating glass.
4. Use structural or composite shims where required.
5. Masonry strap specifications: 20 Ga. galvanized steel, .096" min. thickness x 1.5" min. width.

This schedule addresses only the fasteners required to anchor the unit to achieve the rated design pressure and impact performance (where applicable) up to the size limitations noted. It is not intended as a guide to the installation process and does not address the sealing consideration that may arise in different wall conditions. For the complete installation procedure, see the instructions packaged with the unit or go to [www.jeld-wen.com](http://www.jeld-wen.com).

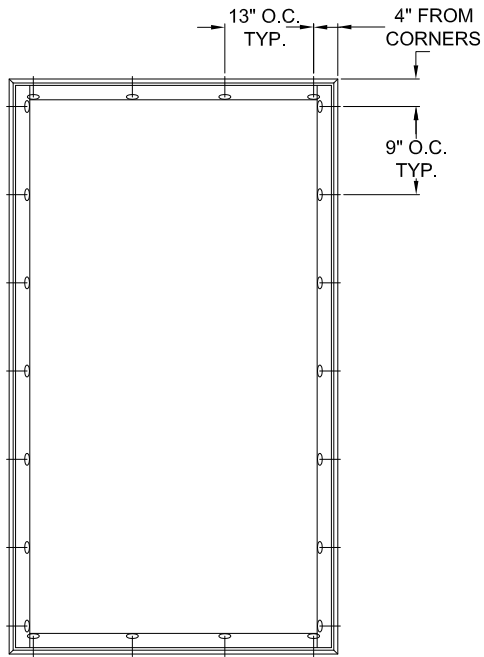
**DISCLAIMER:**

This drawing and its contents are confidential and are not to be reproduced or copied in whole or in part or used or disclosed to others except as authorized by JELD-WEN Inc.

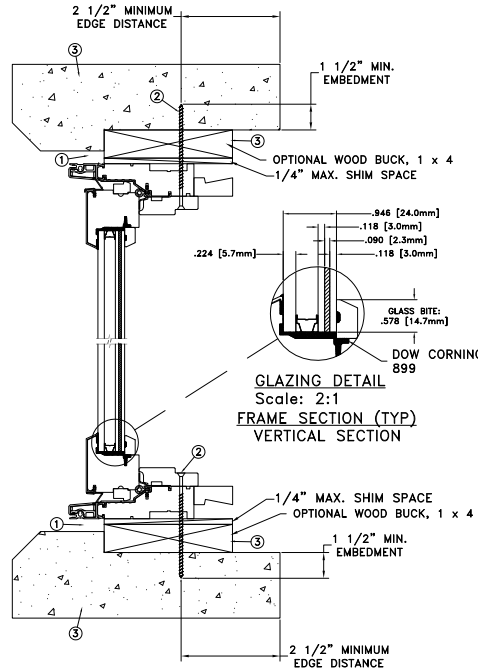


HERMES F. NORERO, E.I.E.  
398 East Dania Beach Blvd, Suite 338  
Dania Beach, FL 33004

DATE: 06/12/2020	3737 LAKEPORT BLVD. <b>JELD WEN</b> KLAMATH FALLS OR, 97601 PHONE: (800) 535-3936
DRAWN BY: J.HAWKINS	SCALE: NTS
CHECKED BY: K.CAMPBELL	TITLE: Siteline Clad Casement Stationary Window - Impact
APPROVED BY: D.STOKES	
RECORD No.: D009404	
REPORT No.: SJW2015-120	CAD DWG. No.: SitelineCLCsmtStalMP Cert
REV: A	SHEET 3 of 5

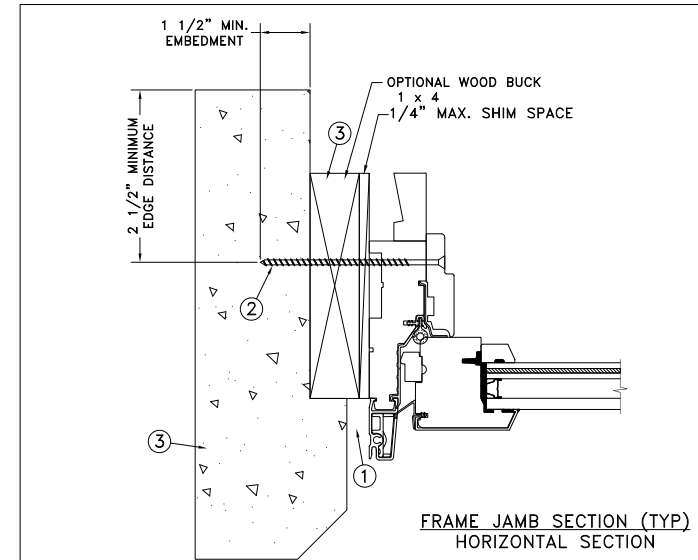


TYPICAL ELEVATION WITH FASTENER SPACING



GLAZING DETAIL  
Scale: 2:1  
FRAME SECTION (TYP)  
VERTICAL SECTION

CONCRETE/MASONRY  
INSTALLATION



FRAME JAMB SECTION (TYP)  
HORIZONTAL SECTION

MAXIMUM FRAME	DP	IMPACT
48 x 84	+50/-65	YES

WINDZONE 3

**Installation Notes:**

1. Seal flange/frame to substrate. Sill shall be set on a continuous serpentine bead of structural grade silicone caulk when no fastener is used to anchor the sill (typical).
2. Use 3/16" tapcon or equivalent fasteners through frame with sufficient length to penetrate a minimum of 1 1/2" into concrete or masonry at each location with a 2 1/2" min. from edge distance. For concrete (min. fc = 3000 psi) or masonry substrate (CMU shall adhere to ASTM C90).
3. Host structure (wood buck, masonry, steel) to be designed and anchored to properly transfer all loads to the structure. The host structure is the responsibility of the architect or engineer of record for the project of installation.

**General Notes:**

1. The product shown herein is designed, tested and manufactured to comply with the wind load criteria of the 2018 International Residential Code (IRC), the 2018 International Building Code (IBC).
2. All glazing shall conform to ASTM E1300.
3. At minimum, glazing is 5.7mm annealed - 10.1mm airspace - 3.0mm annealed - 2.3mm SGP interlayer by Kuraray - 3.0mm annealed insulating glass.
4. Use structural or composite shims where required.

This schedule addresses only the fasteners required to anchor the unit to achieve the rated design pressure and impact performance (where applicable) up to the size limitations noted. It is not intended as a guide to the installation process and does not address the sealing consideration that may arise in different wall conditions. For the complete installation procedure, see the instructions packaged with the unit or go to [www.jeld-wen.com](http://www.jeld-wen.com).

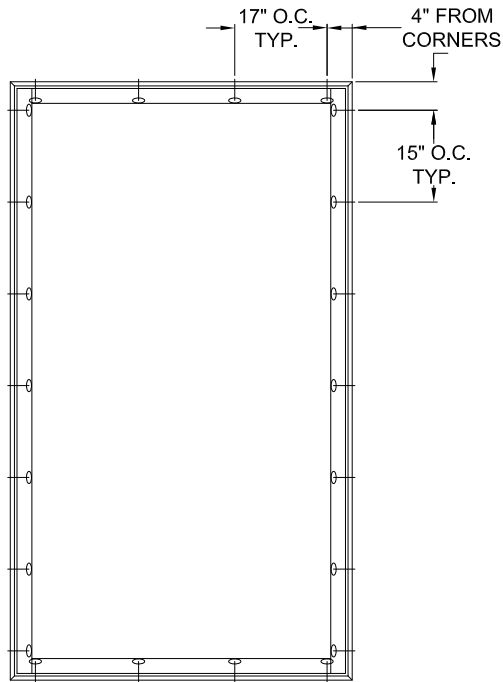
**DISCLAIMER:**

This drawing and its contents are confidential and are not to be reproduced or copied in whole or in part or used or disclosed to others except as authorized by JELD-WEN Inc.

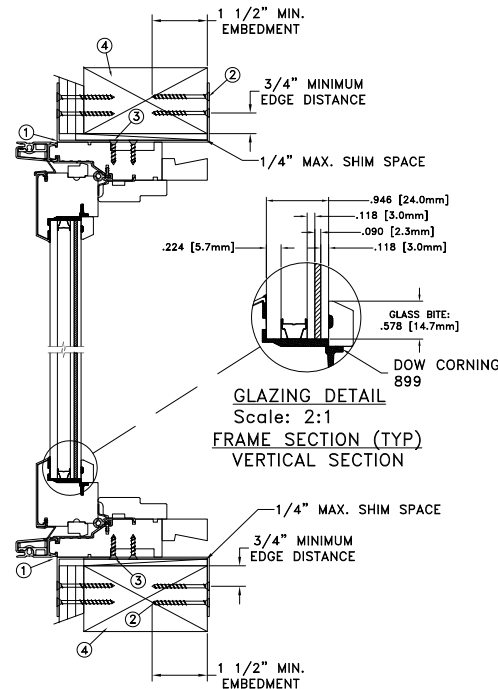


HERMES F. NORERO, P.E.  
398 East Dania Beach Blvd, Suite 338  
Dania Beach, FL 33004

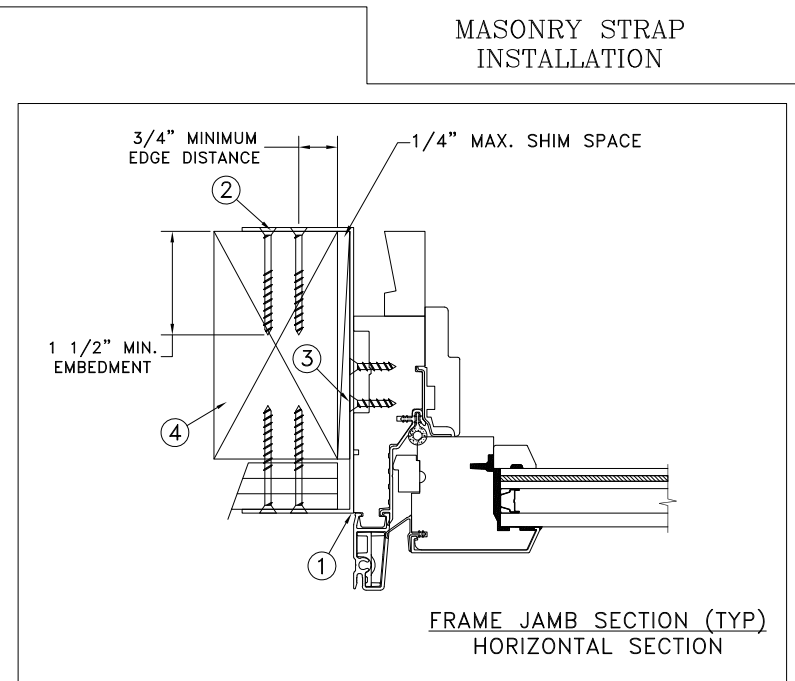
DATE: 06/12/2020	3737 LAKEPORT BLVD. <b>JELD WEN</b> KLAMATH FALLS OR, 97601 PHONE: (800) 535-3936
DRAWN BY: J.HAWKINS	SCALE: NTS
CHECKED BY: K.CAMPBELL	TITLE: Siteline Clad Casement Stationary Window - Impact
APPROVED BY: D.STOKES	
RECORD No.: D009404	
REPORT No.: SJW2015-120	CAD DWG. No.: SitelineCLCsmtStalMP Cert
REV: A	SHEET 4 of 5



TYPICAL ELEVATION WITH FASTENER SPACING



GLAZING DETAIL  
Scale: 2:1  
FRAME SECTION (TYP)  
VERTICAL SECTION



MASONRY STRAP  
INSTALLATION

MAXIMUM FRAME	DP	IMPACT
48 x 84	+50/-65	YES

WINDZONE 3

**Installation Notes:**

1. Seal flange/frame to substrate. Sill shall be set on a continuous serpentine bead of structural grade silicone caulk when no fastener is used to anchor the sill (typical).
2. Use min. 2 - #8 PFH or larger fasteners through masonry strap with sufficient length to penetrate a minimum of 1 1/2" into the buck. Bend straps around both sides of the buck.
3. Use min. 2 - #8 PFH or larger fasteners through masonry strap into jamb without penetrating through the jamb into product causing visibility or collateral damage to product.
4. Host structure (wood buck, masonry, steel) to be designed and anchored to properly transfer all loads to the structure. The host structure is the responsibility of the architect or engineer of record for the project of installation.

**General Notes:**

1. The product shown herein is designed, tested and manufactured to comply with the wind load criteria of the 2018 International Residential Code (IRC), the 2018 International Building Code (IBC).
2. All glazing shall conform to ASTM E1300.
3. At minimum, glazing is 5.7mm annealed - 10.1mm airspace - 3.0mm annealed - 2.3mm SGP interlayer by Kuraray - 3.0mm annealed insulating glass.
4. Use structural or composite shims where required.
5. Masonry strap specifications: 20 Ga. galvanized steel, .096" min. thickness x 1.5" min. width.

This schedule addresses only the fasteners required to anchor the unit to achieve the rated design pressure and impact performance (where applicable) up to the size limitations noted. It is not intended as a guide to the installation process and does not address the sealing consideration that may arise in different wall conditions. For the complete installation procedure, see the instructions packaged with the unit or go to [www.jeld-wen.com](http://www.jeld-wen.com).

**DISCLAIMER:**

This drawing and its contents are confidential and are not to be reproduced or copied in whole or in part or used or disclosed to others except as authorized by JELD-WEN Inc.



HERMES F. NORERO, P.E.  
Professional Engineer  
398 East Dania Beach Blvd, Suite 338  
Dania Beach, FL 33004

DATE: 06/12/2020	3737 LAKEPORT BLVD. <b>JELD WEN</b> KLAMATH FALLS OR, 97601 PHONE: (800) 535-3936
DRAWN BY: J.HAWKINS	SCALE: NTS
CHECKED BY: K.CAMPBELL	TITLE: Siteline Clad Casement Stationary Window - Impact
APPROVED BY: D.STOKES	
RECORD No.: D009404	
REPORT No.: SJW2015-120	CAD DWG. No.: SitelineCLCsmtStalMP Cert
REV: A	SHEET 5 of 5