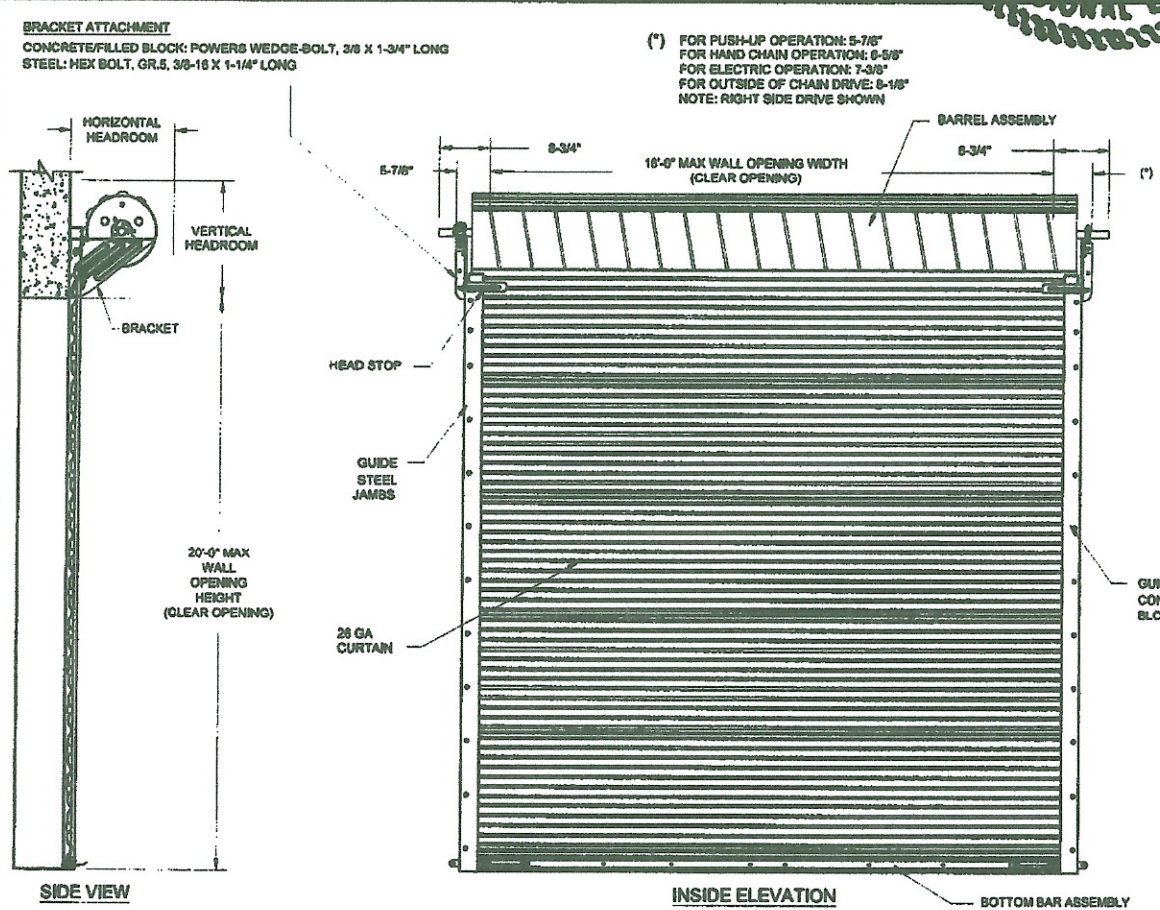


Don Mills
2/28/14

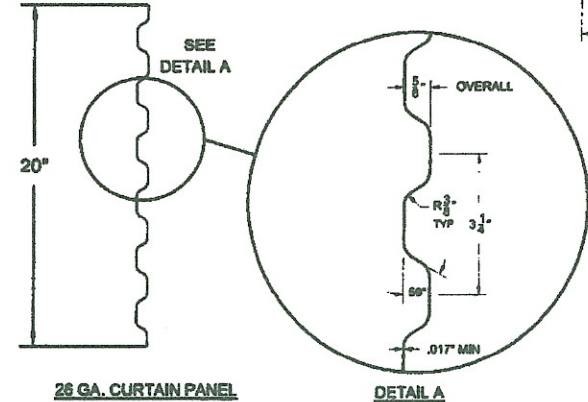
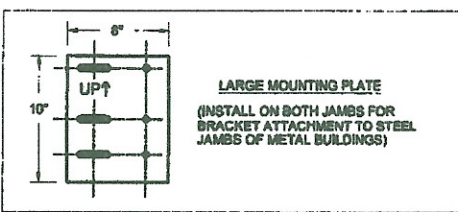
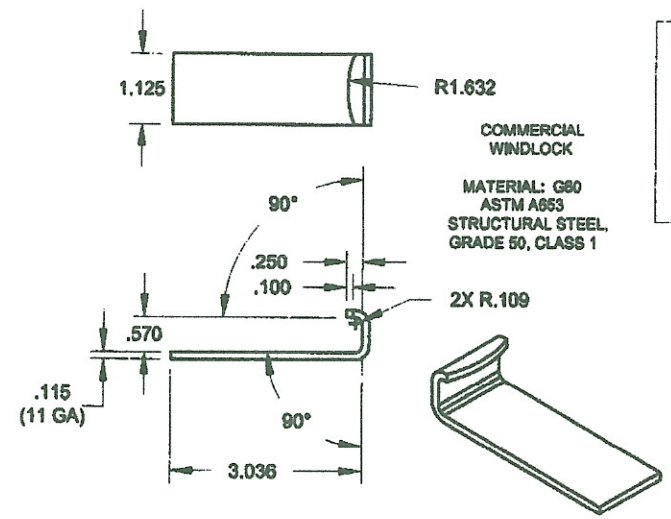
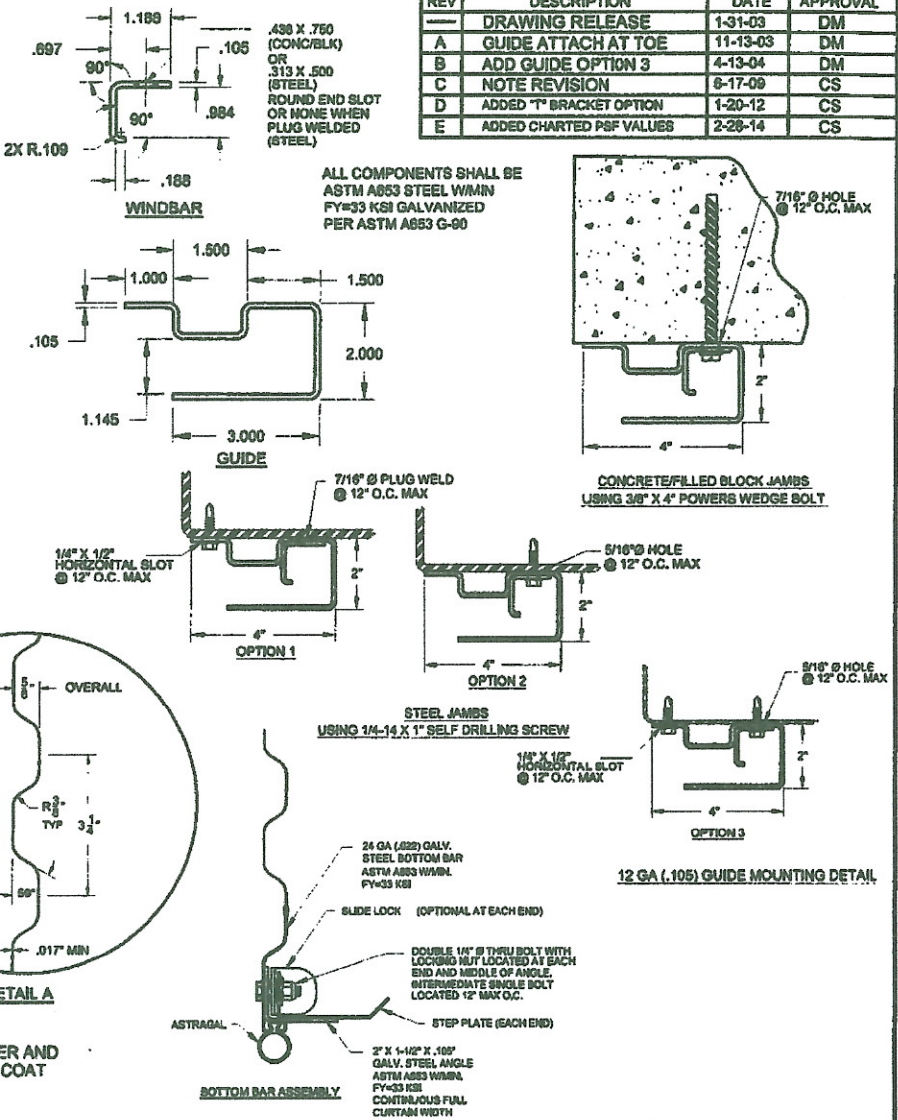


HEADROOM REQUIRED

OPENING HEIGHT	VERTICAL HEADROOM	HORIZONTAL HEADROOM
THRU 5'-0"	20"	20"
OVER 5'-0" THRU 10'-0"	21"	21"
OVER 10'-0" THRU 14'-0"	21-1/2"	21"
OVER 14'-0" THRU 16'-0"	22"	21"
OVER 16'-0" THRU 18'-0"	22"	22"
OVER 18'-0" THRU 20'-0"	22"	22"

REVISIONS

REV	DESCRIPTION	DATE	APPROVAL
	DRAWING RELEASE	1-31-03	DM
A	GUIDE ATTACH AT TOE	11-13-03	DM
B	ADD GUIDE OPTION 3	4-13-04	DM
C	NOTE REVISION	8-17-09	CS
D	ADDED "T" BRACKET OPTION	1-20-12	CS
E	ADDED CHARTED PSF VALUES	2-28-14	CS



THESE CONFIDENTIAL DOCUMENTS SUBMITTED BY JANUS CONTAIN INFORMATION OF A PROPRIETARY NATURE AND MAY NOT BE REPRODUCED OR USED TO MANUFACTURE ANYTHING IN PART OR IN WHOLE FOR ANY PURPOSE OTHER THAN THAT WHICH IS NECESSARY FOR PREPARATION OF BIDS OF ENGINEERING WITHOUT THE EXPRESS PERMISSION OF JANUS WHICH MAY RECALL DOCUMENTS AT ANY TIME.

UNLESS OTHERWISE SPECIFIED DIMENSIONS ARE IN INCHES. TOLERANCES LISTED BELOW.

DECIMAL	FRACTIONS	ANGLES	HOLE DIAMETERS
X.XX	+/-0.030"	+/-1/16"	+/- 0° 30'
X.XXX	+/-0.005"		
			UNDER 0.251
			0.251 - 0.500
			OVER 0.500

APPROVALS

APPROVALS	DATE
DRAWN: BECKY NELSON	1-31-03
CHECKED: DON MILLS	1-31-03
APPROVED: DON MILLS	1-31-03

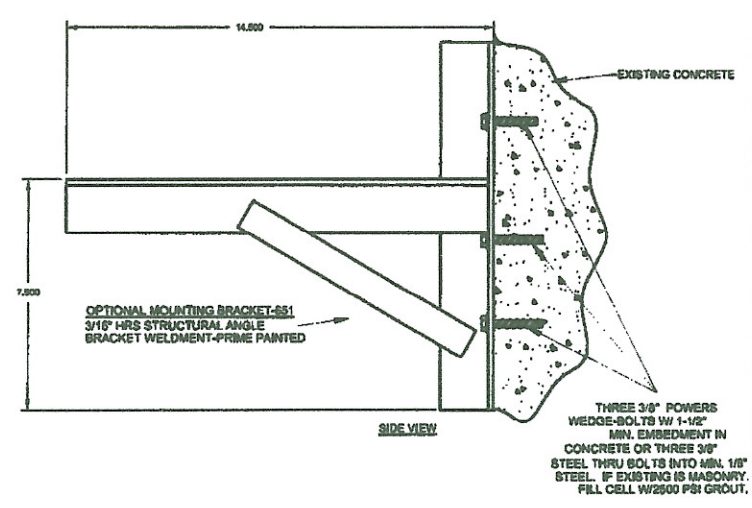
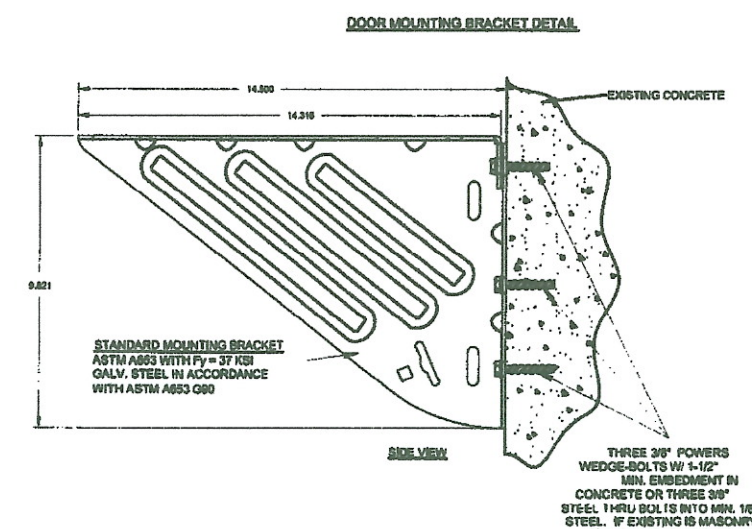
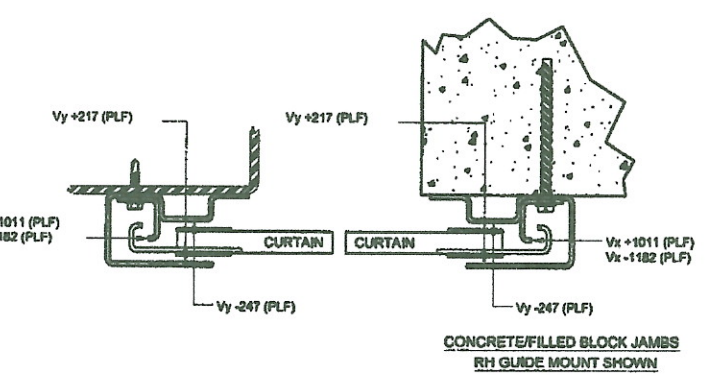
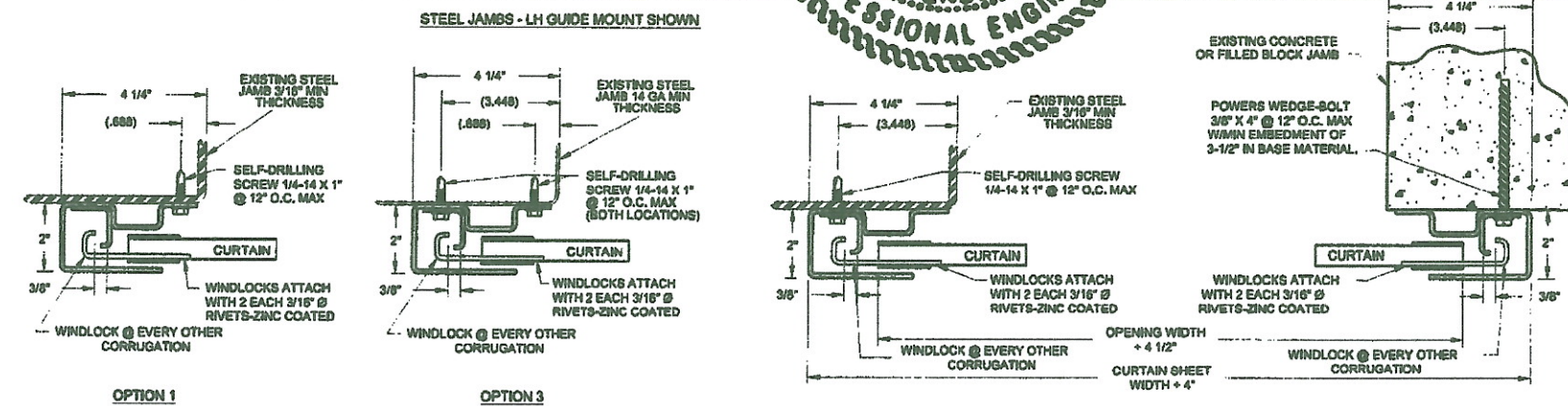
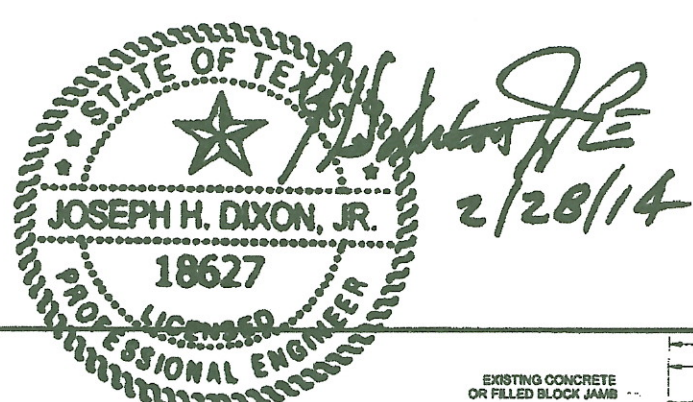
JANUS INTERNATIONAL CORPORATION
135 JANUS INTERNATIONAL BLVD TEMPLE, GA 30179
770-562-2850/Fax 770-562-2264
© 2014 Janus International Corporation All Rights Reserved

CERTIFIED WIND LOAD RATED
26 GA SERIES 3100 DOOR ASSEMBLY
MAX. SIZE 16'-0" X 20'-0"

SIZE **B** DRAWING NUMBER: **T1004** REV: **E**

SCALE: NONE SHEET: 1 OF: 2

SEE SHEET 2 FOR NOTES



REVISIONS			
REV	DESCRIPTION	DATE	APPROVAL
	DRAWING RELEASE	1-31-03	DM
A	GUIDE ATTACH AT TOE	11-13-03	DM
B	ADD GUIDE OPTION 3	4-13-04	DM
C	NOTE REVISION	8-17-09	CS
D	ADDED "I" BRACKET OPTION	1-20-12	CS
E	ADDED CHARTED PSF VALUES	2-28-14	CS

ALLOWABLE TRANSVERSE DESIGN WIND LOADS (PSF)			
MAX DOOR WIDTH	MAX DOOR HEIGHT	DESIGN LOAD POSITIVE (PSF)	DESIGN LOAD NEGATIVE (PSF)
8'-0"	20'-0"	77.4	86.4
9'-0"	20'-0"	61.3	68.9
10'-0"	20'-0"	50.2	56.7
11'-0"	20'-0"	42.1	47.7
12'-0"	20'-0"	36.0	41.0
13'-0"	20'-0"	31.3	35.8
14'-0"	20'-0"	27.5	31.6
15'-0"	20'-0"	24.5	28.1
16'-0"	20'-0"	22.0	25.3

- GENERAL NOTES**
- THIS ROLL-UP DOOR SYSTEM IS DESIGNED IN ACCORDANCE WITH THE FLORIDA BUILDING CODE (FBC) AND INTERNATIONAL BUILDING CODE (IBC). THE REQUIRED DESIGN WIND PRESSURES FOR A DOOR IN ANY PARTICULAR BUILDING SHALL BE DETERMINED IN ACCORDANCE WITH SECTION 1809 OF THE FBC. IN CODE JURISDICTIONS OUTSIDE OF FLORIDA, REQUIRED DESIGN WIND PRESSURES MAY BE DETERMINED IN ACCORDANCE WITH SECTION 1809 OF THE IBC OR WITH THE LOCAL BUILDING CODE IN EFFECT FOR THE SPECIFIC LOCATION.
 - THIS ROLL-UP DOOR HAS BEEN SUCCESSFULLY TESTED ACCORDING TO THE UNIFORM STATIC AIR PRESSURE TEST PER ASTM E330 AND ANSIDASMA 108 TO SAFELY RESIST A POSITIVE AND NEGATIVE WIND LOAD AS NOTED BELOW. A TEST LOAD OF 1.5 X DESIGN LOAD HAS BEEN USED.
DESIGN LOAD = +36.0 PSF
DESIGN LOAD = -41.0 PSF
 - WIND LOADS FOR BUILDING OPENINGS SHALL BE DETERMINED BY A PROFESSIONAL ENGINEER USING APPROPRIATE WIND SPEED AND DESIGN CRITERIA. THIS DOOR MAY BE USED WHERE THE DESIGN LOAD MEETS OR EXCEEDS THE DESIGN LOAD FOR THE BUILDING OPENING.
 - SUPERIMPOSED LOADS ON THE JAMBS FROM THIS DOOR ARE DESIGNED AS Vx AND Vy HEREIN. CONTRACTORS SHALL HAVE BUILDING ENGINEER VERIFY ADEQUACY OF BUILDING STRUCTURE TO RESIST SUPERIMPOSED LOADS Vx, Vy.
 - ALL WELDING SHALL BE PERFORMED BY QUALIFIED WELDERS IN ACCORDANCE WITH A.W.S. SPECIFICATIONS, LATEST EDITION. ALL WELDING ELECTRODES SHALL CONFORM TO A.W.S. A5.1 GRADE E-70.
 - DOORS SHALL BE PROVIDED WITH LOCK MECHANISMS AT THE OPTION OF THE OWNER.
 - ALL BOLTS AND WASHERS SHALL BE GALVANIZED OR STAINLESS STEEL WITH A MINIMUM TENSILE STRENGTH OF 60 KSI.
 - DESIGN BASED ON CERTIFIED TESTING LABORATORIES, INC. TEST REPORTS NO. CTLA-1024W FOR THROUGH GUIDE ATTACHMENT TO JAMB AND NO. CTLA-1194W FOR TOE OF GUIDE ATTACHMENT TO JAMB.
 - ANCHOR NOTES:
A. EMBEDMENT LENGTH DOES NOT INCLUDE STUCCO FINISH.
B. FOR HOLLOW MASONRY, FILL ALL CELLS @ ANCHOR WITH 2500 PSI GROUT.
C. ANCHORS SHALL BE INSTALLED IN ACCORDANCE WITH MANUFACTURERS SPECIFICATIONS.
 - DOOR OPERATION TYPE TO BE PUSH-UP, HAND CHAIN, OR ELECTRIC.
 - GUIDE TO JAMB ATTACHMENT FASTENERS BEGIN 4" FROM FLOOR AND 4" BELOW TOP OF THE WALL OPENING.
 - TEST DOOR WALL OPENING SIZE: 12'-0" X 8'-0".

THESE CONFIDENTIAL DOCUMENTS SUBMITTED BY JANUS CONTAIN INFORMATION OF A PROPRIETARY NATURE AND MAY NOT BE REPRODUCED OR USED TO MANUFACTURE ANYTHING IN PART OR IN WHOLE FOR ANY PURPOSE OTHER THAN THAT WHICH IS NECESSARY FOR PREPARATION OF BIDS OF ENGINEERING WITHOUT THE EXPRESS PERMISSION OF JANUS WHICH MAY RECALL DOCUMENTS AT ANY TIME.

UNLESS OTHERWISE SPECIFIED DIMENSIONS ARE IN INCHES. TOLERANCES LISTED BELOW.

DECIMAL	FRACTIONS	ANGLES	HOLE DIAMETERS
X.XX	±0.030"	±1/16°	±0° 30'
X.XXX	±0.005"		
			UNDER 0.251
			0.251 - 0.500
			OVER 0.500

PART NUMBER:	
MATERIAL:	
APPLIED FINISH:	
UNIT OF MEASURE:	
APPROVALS	DATE
DRAWN:	1-31-03
CHECKED:	1-31-03
APPROVED:	1-31-03

JANUS INTERNATIONAL CORPORATION
 135 JANUS INTERNATIONAL BLVD TEMPLE, GA 30179
 770-562-2850/Fax 770-562-2264
 © 2014 Janus International Corporation All Rights Reserved

CERTIFIED WIND LOAD RATED
 26 GA SERIES 3100 DOOR ASSEMBLY
 MAX. SIZE 16'-0" X 20'-0"

SIZE: **B** DRAWING NUMBER: **T1004** REV: **E**

SCALE: NONE SHEET: 2 OF: 2