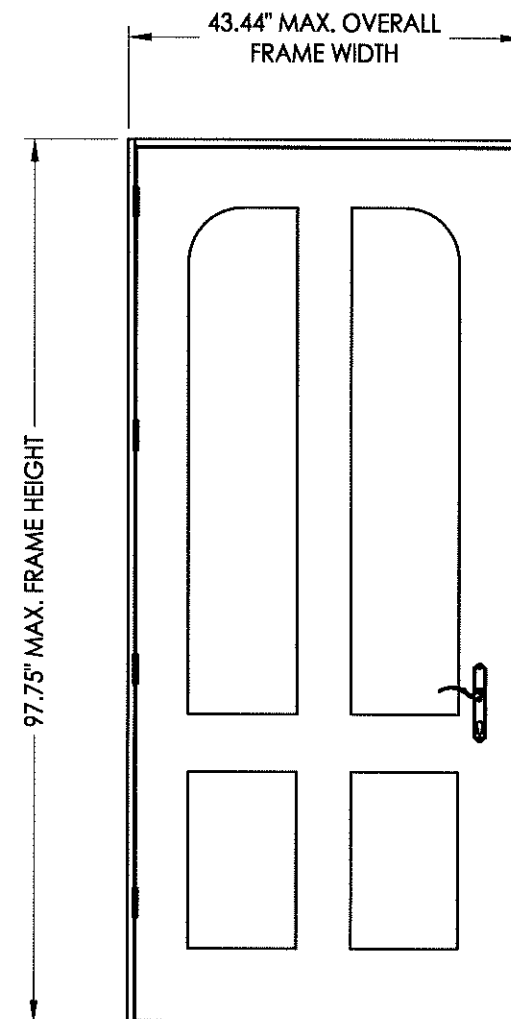




8811 West Market Street  
Colfax, NC 27235

# Opaque Fiberglass Door

"NON-IMPACT"  
INSWING



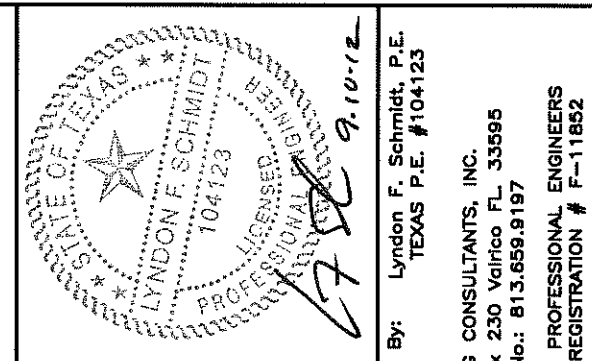
**EVALUATED FOR USE IN THE STATE OF TEXAS**

The Glazed Fiberglass Door system described herein complies with the 2006 International Residential Code (IRC), Sections R301 & R613 and the 2006 International Building Code (IBC), Sections 1405.12, 1609, 1714.5, 2403 and 2404 (including Texas revisions) subject to the following conditions:

1. Anchors shall be as listed and spaced as shown in the details. Anchor embedment to base material shall be beyond wall dressing or stucco.
2. When used in areas requiring wind-borne debris protection this product is required to be protected with an impact resistant covering that complies with Section R301.2.1.2 of the IRC and Section 1609.1.2 of the IBC.
3. Allowable design pressure requirements must be equal to or less than the design pressure rating shown in the design pressure chart, sheet 1 of this drawing.
4. Conditions not covered by this drawing are subject to further engineering analysis.

TABLE OF CONTENTS	
SHEET#	DESCRIPTION
1	Typical elevations, design pressures & general notes
2	Lock details (Hoppe HLS 9000)
3	Door panel details
4	Horizontal cross sections
5	Vertical cross sections
6	Frame anchoring

CONFIG.	MODEL	DESIGN PRESSURE (PSF) INSWING	
		POSITIVE	NEGATIVE
X	CLASSIC CRAFT RUSTIC	+45.0	-45.0



Documents Prepared By: Lyndon F. Schmidt, P.E.  
TEXAS P.E. #104123

RW BUILDING CONSULTANTS, INC.  
P.O. Box 230 Vairico FL 33595  
Phone No.: 813.659.9197

TEXAS BOARD OF PROFESSIONAL ENGINEERS  
CERTIFICATE OF REGISTRATION # F-11852

PRODUCT: ENDURA

PART OR ASSEMBLY: TYPICAL ELEVATION, DESIGN PRESSURES & GENERAL NOTES

NO.	DATE	BY	REVISIONS

DATE: 9/06/12

SCALE: N.T.S.

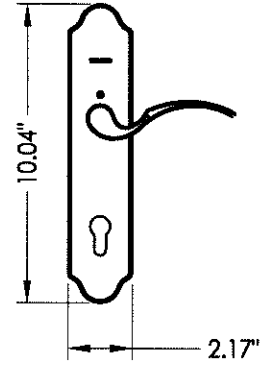
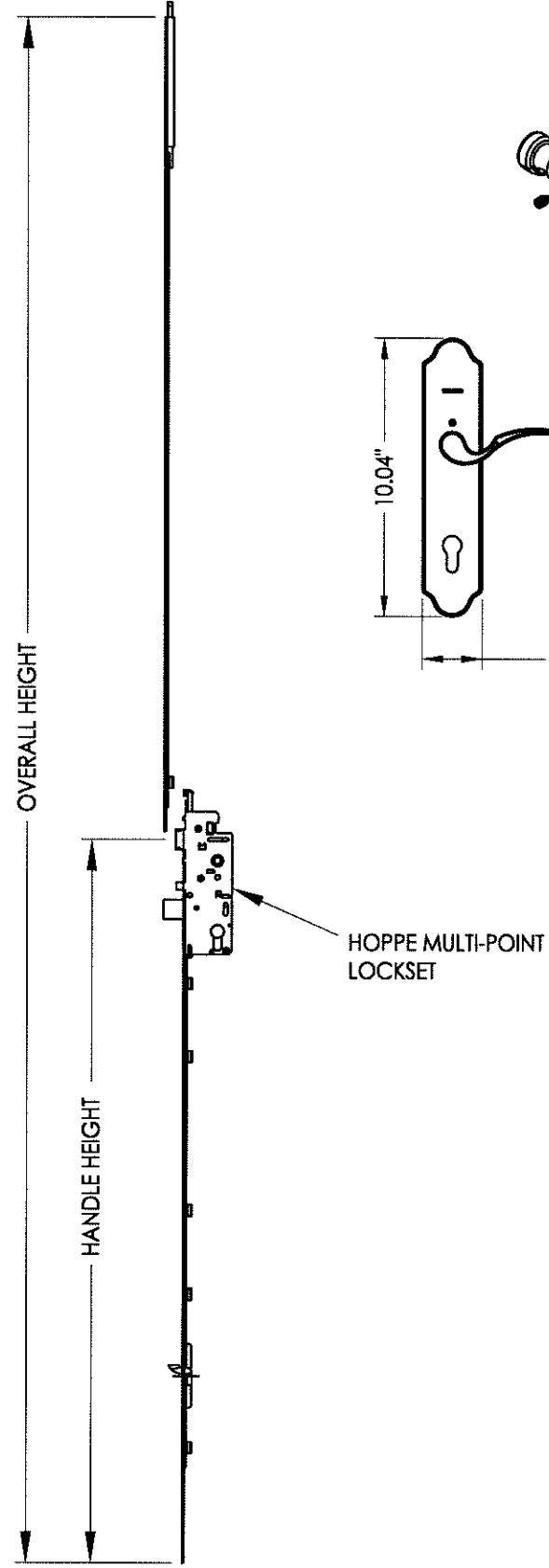
DWG. BY: JK

CHK. BY: LFS

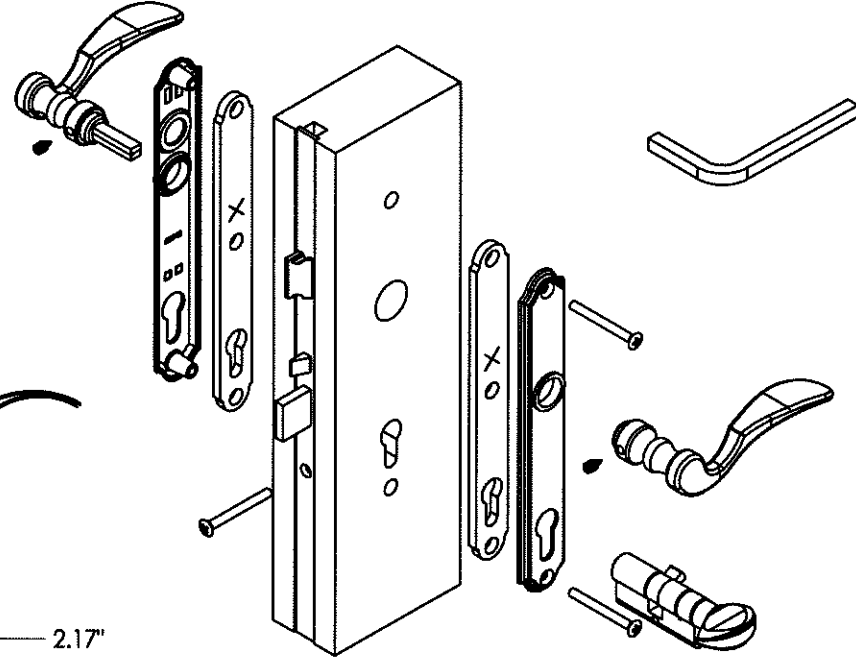
DRAWING NO.: TX-4222

SHEET 1 OF 6

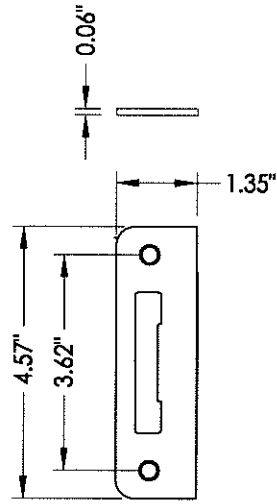
MANUAL TONGUE/SHOOTBOLT GEAR SYSTEM



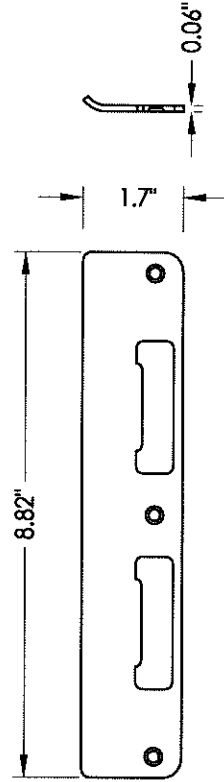
HOPPE MULTI-POINT LOCKSET  
Manual Tongue/Shootbolt



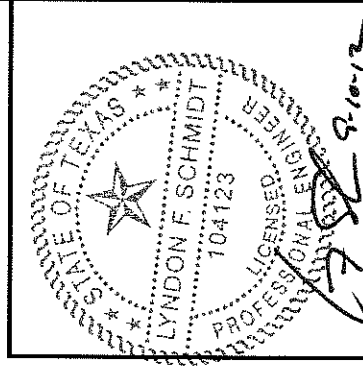
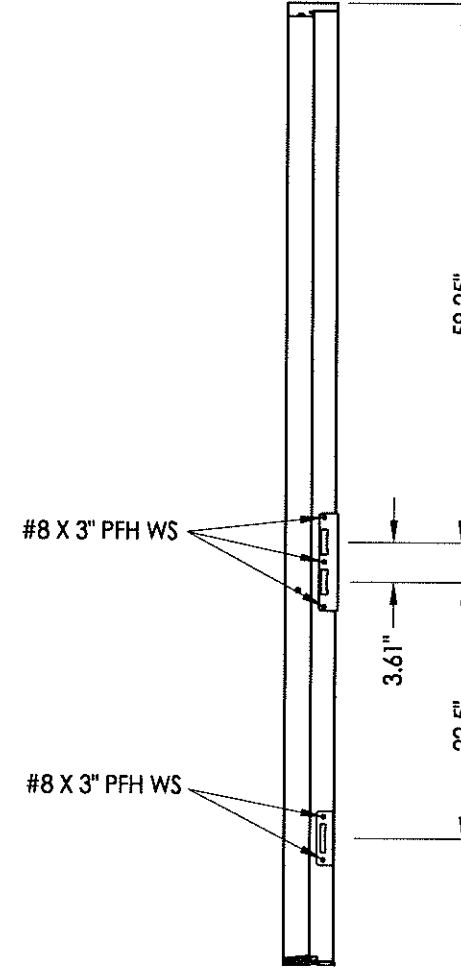
MULTI-POINT STRIKE PLATE



LATCH & DEADBOLT STRIKE PLATE



STRIKE JAMB

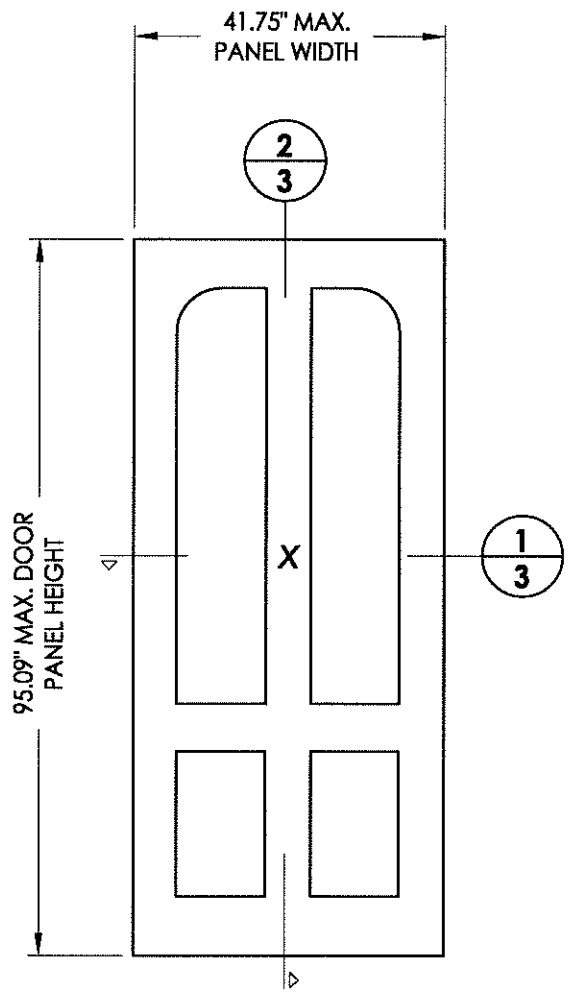
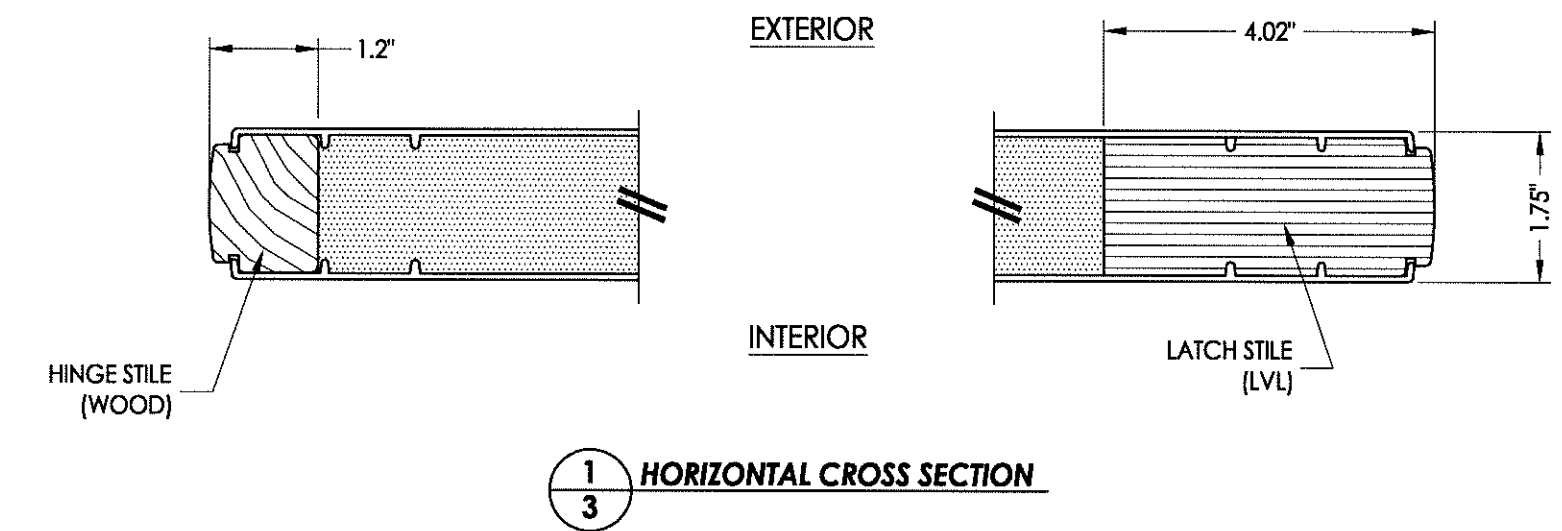


Documents Prepared By: Lyndon F. Schmidt, P.E.  
TEXAS P.E. #104123

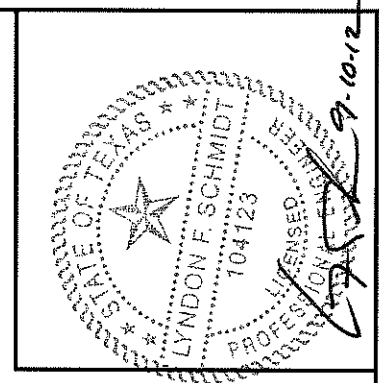
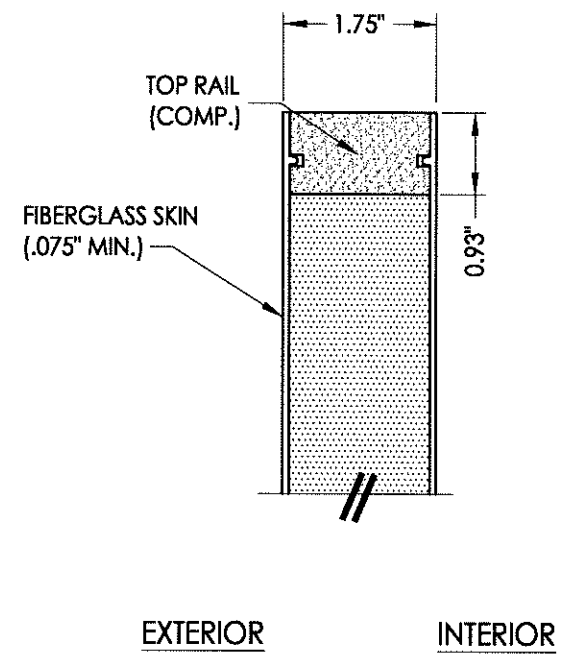
**RW** BUILDING CONSULTANTS, INC.  
P.O. Box 230 Vaivico FL 33585  
Phone No.: 813.659.9197

TEXAS BOARD OF PROFESSIONAL ENGINEERS  
CERTIFICATE OF REGISTRATION # F-11852

PRODUCT: ENDURA	
PART OR ASSEMBLY: LOCK DETAILS (HOPPE HLS 9000)	
NO.	DATE
BY	REVISIONS
DATE: 9/06/12	
SCALE: N.T.S.	
DWG. BY: JK	
CHK. BY: LFS	
DRAWING NO.: TX-4222	
SHEET 2 OF 6	



THERMA TRU - Classic Craft Rustic Panel (fiberglass)



Documents Prepared By: Lyndon F. Schmidt, P.E.  
TEXAS P.E. #104123

**RW** BUILDING CONSULTANTS, INC.  
P.O. Box 230 Valrico FL 33595  
Phone No.: 813.659.9197

TEXAS BOARD OF PROFESSIONAL ENGINEERS  
CERTIFICATE OF REGISTRATION # F-11852

PRODUCT: ENDURA

PART OR ASSEMBLY: DOOR/SIDELITE PANEL DETAILS (FIBER GLASSIC - FLUSH GLAZED)

REVISIONS	
NO.	DATE

DATE: 9/06/12

SCALE: N.T.S.

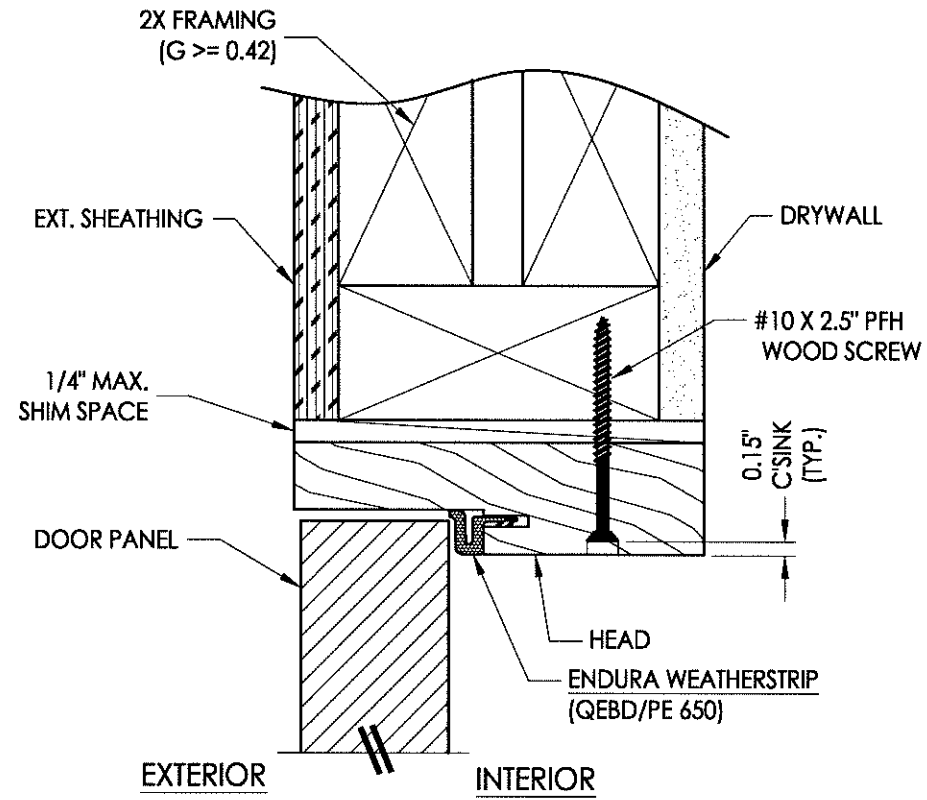
DWG. BY: JK

CHK. BY: LFS

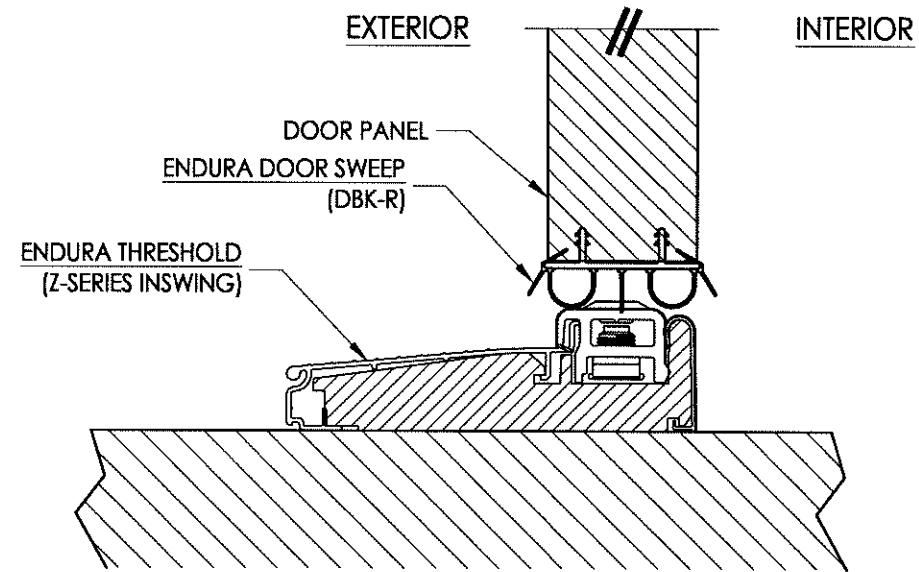
DRAWING NO.: TX-4222

SHEET 3 OF 6

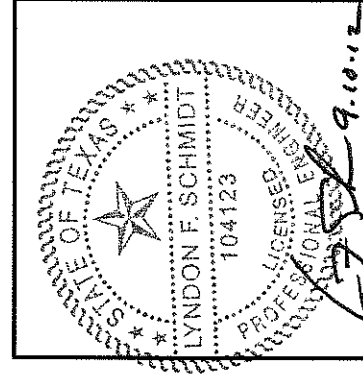




**1 VERTICAL CROSS SECTION**  
 5 Outswing shown - inswing also approved



**2 VERTICAL CROSS SECTION**  
 5 Inswing configuration



Documents Prepared By: Lyndon F. Schmidt, P.E.  
 TEXAS P.E. #104123

**RW** BUILDING CONSULTANTS, INC.  
 P.O. Box 230 Vairico FL 33595  
 Phone No.: 813.659.9197

TEXAS BOARD OF PROFESSIONAL ENGINEERS  
 CERTIFICATE OF REGISTRATION # F-11852

PRODUCT:	ENDURA	
PART OR ASSEMBLY:	VERTICAL CROSS SECTIONS	
NO.	DATE	BY
REVISIONS		
DATE:	9/06/12	
SCALE:	N.T.S.	
DWG. BY:	JK	
CHK. BY:	LFS	
DRAWING NO.:	TX-4222	
SHEET	5	OF 6

