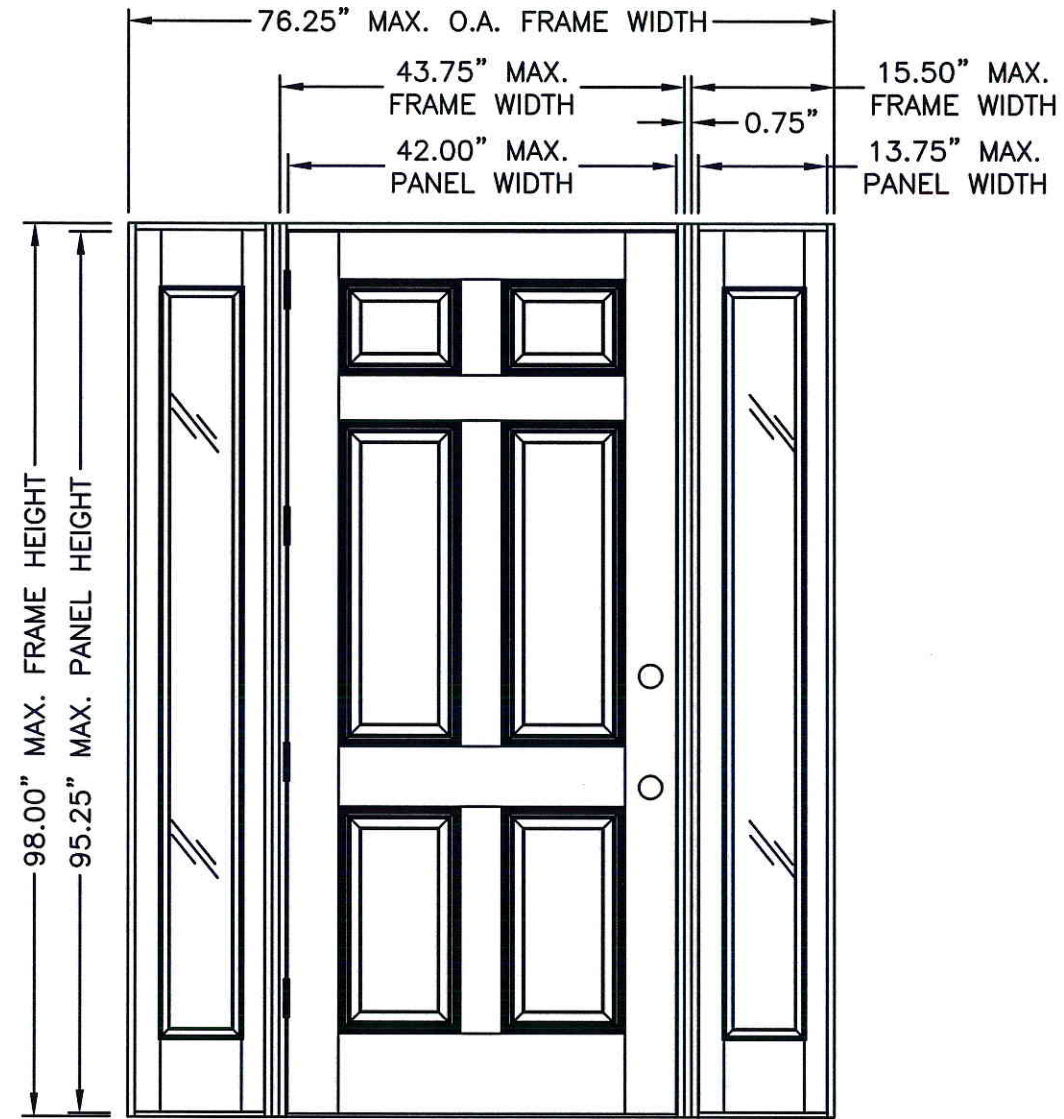


THERMA TRU®

118 INDUSTRIAL DR., EDGERTON, OH 43517
TEL. (419)298-1740

CLASSIC CRAFT & CLASSIC CRAFT RUSTIC SINGLE "IMPACT" DOOR WITH "NON-IMPACT" SIDELITES IN SWING / OUT SWING



"CLASSIC CRAFT" & "CLASSIC CRAFT RUSTIC"

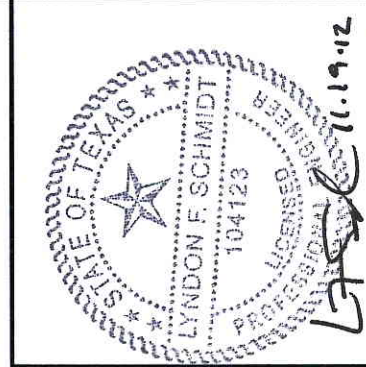
EVALUATED FOR USE IN THE STATE OF TEXAS

The Fiberglass Opaque Door described herein complies with the 2006 International Residential Code (IRC), Sections R301 & R613 and the 2006 International Building Code (IBC), Sections 1405.12, 1609, 1714.5, 2403 and 2404 (including Texas revisions) subject to the following conditions:

1. Anchors shall be as listed and spaced as shown in the details. Anchor embedment to base material shall be beyond wall dressing or stucco.
2. The opaque door has been tested and evaluated as a large missile impact protective system for installation in the Seaward, Inland I and Inland II areas. The opaque door meets missile level "D" as defined in ASTM E 1996. The non-impact sidelites require an impact protective system when installed in the Seaward, Inland I and Inland II areas.
3. Allowable design pressure requirements must be equal to or less than the design pressure rating shown in the design pressure chart, sheet 1 of this drawing.
4. Conditions not covered by this drawing are subject to further engineering analysis.

TABLE OF CONTENTS	
SHEET #	DESCRIPTION
1	TYPICAL ELEVATIONS, DESIGN PRESSURES & GENERAL NOTES
2	DOOR PANEL DETAILS (CLASSIC CRAFT)
3	DOOR PANEL DETAILS (CLASSIC CRAFT RUSTIC)
4	SIDELITE PANEL DETAILS
5	HORIZONTAL CROSS SECTIONS & GLAZING DETAILS
6	VERTICAL CROSS SECTIONS
7	VERTICAL CROSS SECTIONS
8	FRAME ANCHORING
9	COMPONENTS
10	BILL OF MATERIALS

DOOR TYPE	SWING	OVERALL FRAME DIMENSION	OVERALL SIDELITE D.L.O. DIMENSION	DESIGN PRESSURE	
				POSITIVE	NEGATIVE
CLASSIC CRAFT	OUTSWING	76.25" X 96.50"	6.75"	+65.0	-65.0
	IN SWING	76.25" X 98.00"		+65.0	-65.0
CLASSIC CRAFT RUSTIC	OUTSWING	76.25" X 96.50"	79.00"	+65.0	-65.0
	IN SWING	76.25" X 98.00"		+65.0	-65.0



Documents Prepared By: Lyndon F. Schmidt, P.E.
TEXAS P.E. #104123

RW BUILDING CONSULTANTS, INC.
P.O. Box 230 Vairico FL 33595
Phone No.: 813.659.9197

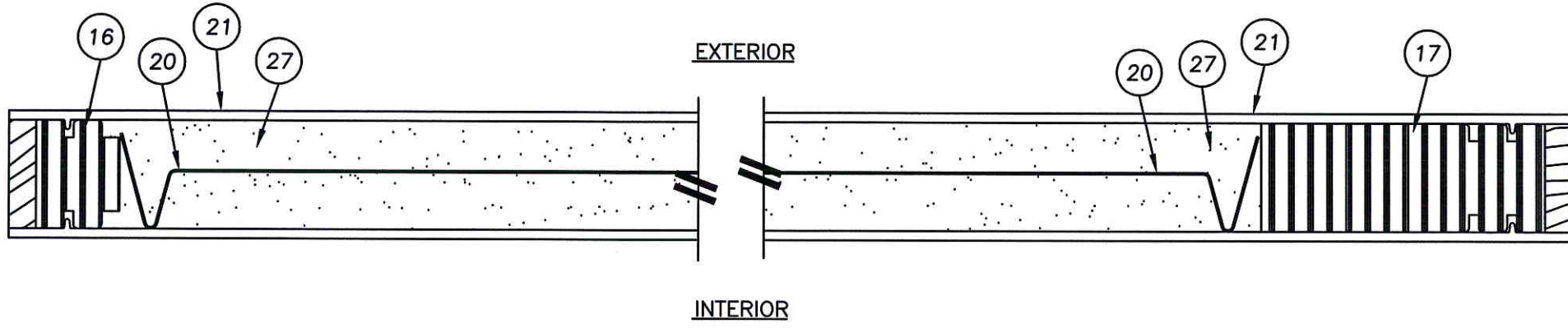
TEXAS BOARD OF PROFESSIONAL ENGINEERS
CERTIFICATE OF REGISTRATION # F-11852

PRODUCT: SINGLE OPAQUE FIBERGLASS DOOR W/ SIDELITES "IMPACT" IN SWING / OUTSWING PART OR ASSEMBLY: TYPICAL ELEVATIONS, DESIGN PRESSURES & GENERAL NOTES

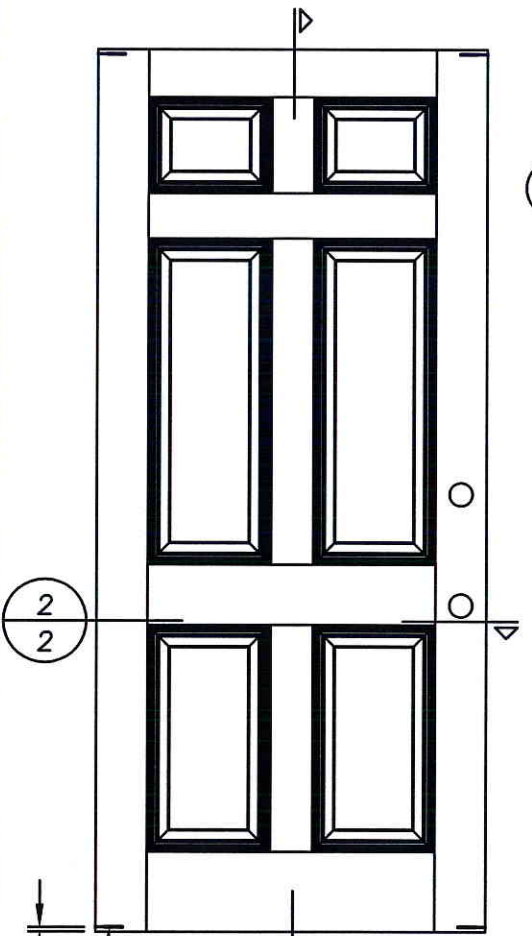
NO.	DATE	BY	REVISIONS

DATE: 7/16/12
SCALE: N.T.S.
DWG. BY: JK
CHK. BY: LFS
DRAWING NO.: TX-4183
SHEET 1 OF 10

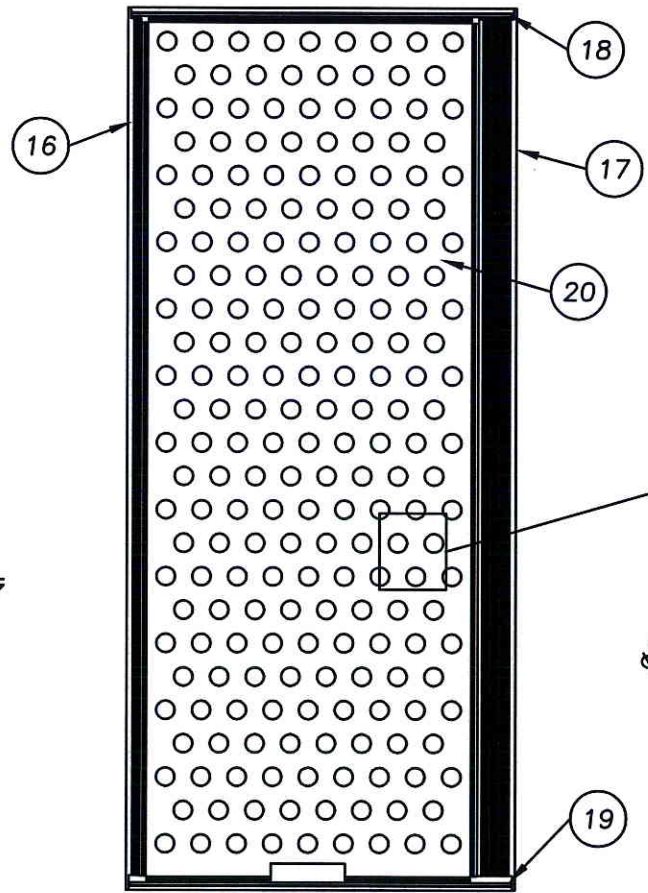
R:\A - Projects\Project Folders\Proj 1101 - 1200\pf1104\1D. RWBC Drawings\TX-4175-83.dwg, FOXO2



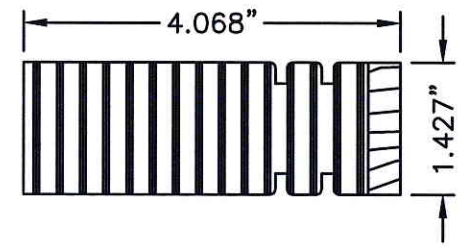
2 HORIZONTAL CROSS SECTION
2 CLASSIC CRAFT



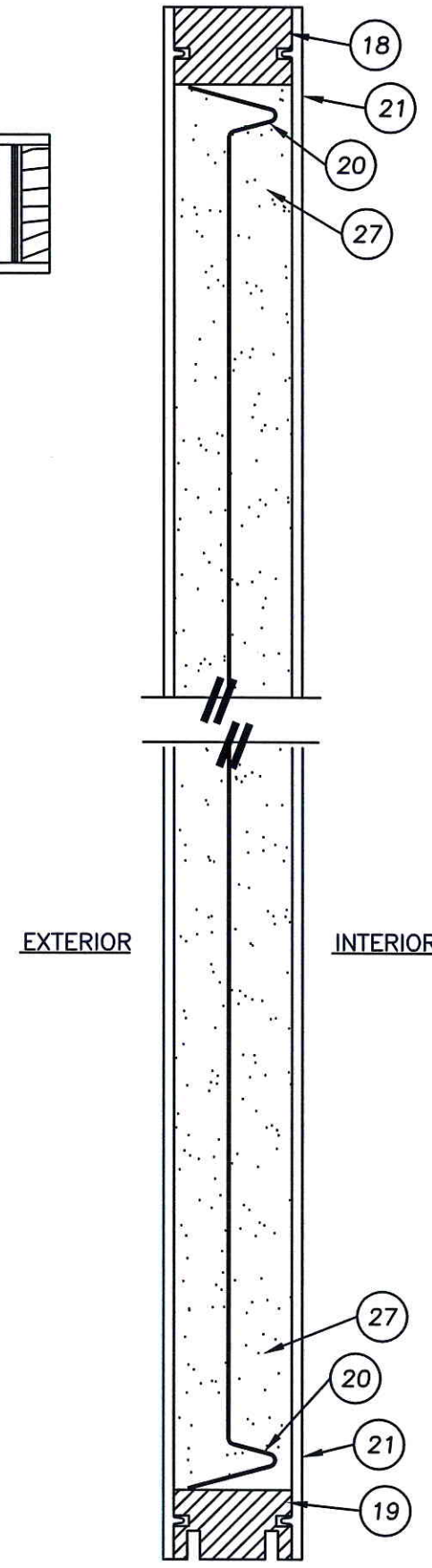
32 TYP. 4 CORNERS OF PANEL
1/2 CLASSIC CRAFT



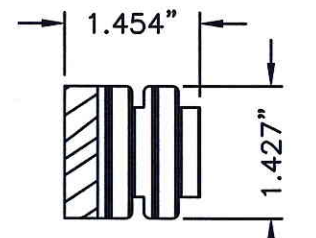
Ø2" DIA. MAX.
28.86% OPEN AREA MAX.



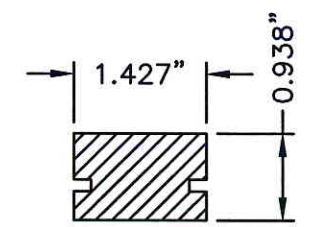
17 LOCK STILE CLASSIC CRAFT



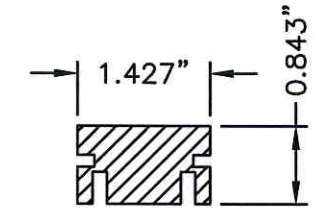
1 VERTICAL CROSS SECTION
2 CLASSIC CRAFT



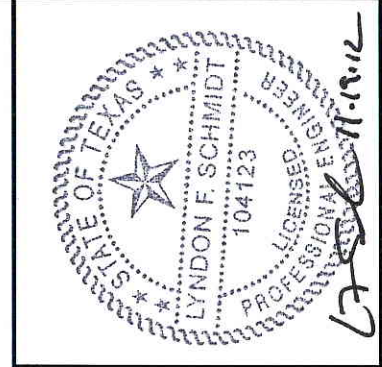
16 HINGE STILE CLASSIC CRAFT



18 TOP RAIL CLASSIC CRAFT



19 BOTTOM RAIL CLASSIC CRAFT



Documents Prepared By: Lyndon F. Schmidt, P.E.
TEXAS P.E. #104123

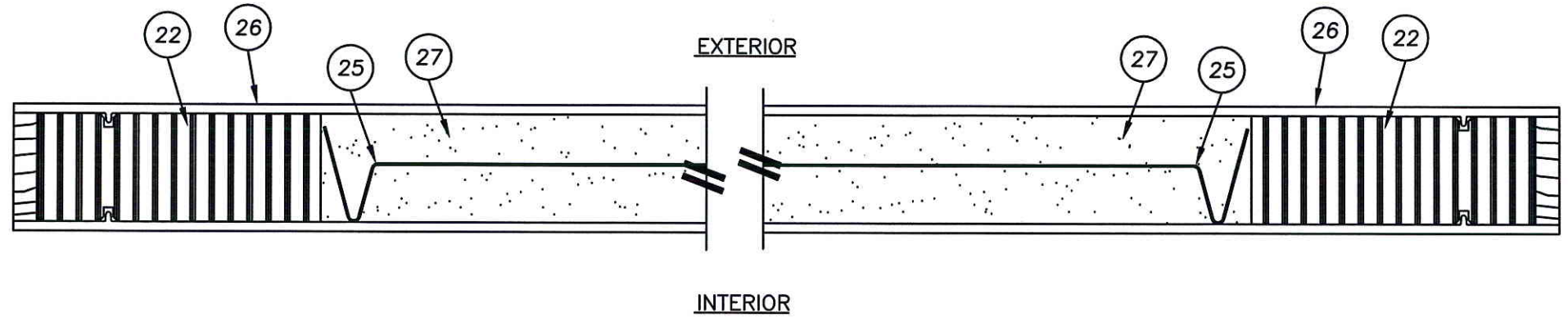
RW BUILDING CONSULTANTS, INC.
P.O. Box 230 Valrico FL 33595
Phone No.: 813.659.9197

TEXAS BOARD OF PROFESSIONAL ENGINEERS
CERTIFICATE OF REGISTRATION # F-11852

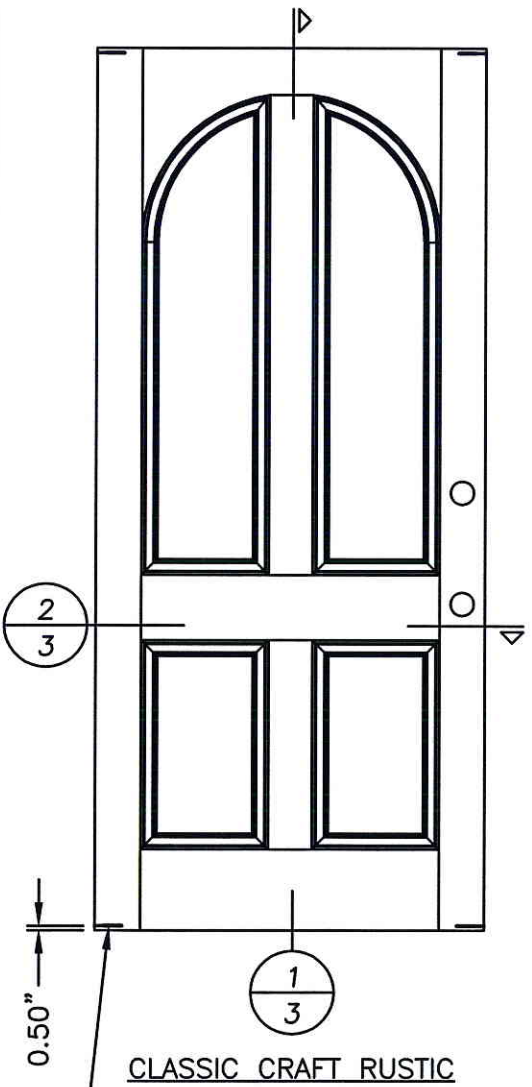
PRODUCT: SINGLE OPAQUE FIBERGLASS DOOR W/ SIDELITES "IMPACT" INSWING / OUTSWING
PART OR ASSEMBLY: DOOR PANEL DETAILS (CLASSIC CRAFT)

REVISIONS	
NO.	DATE

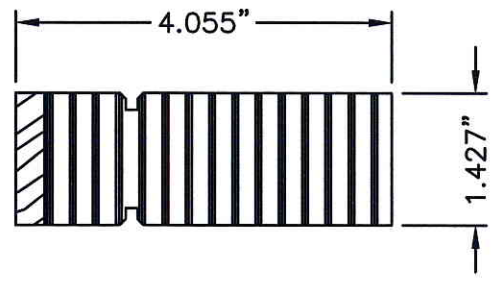
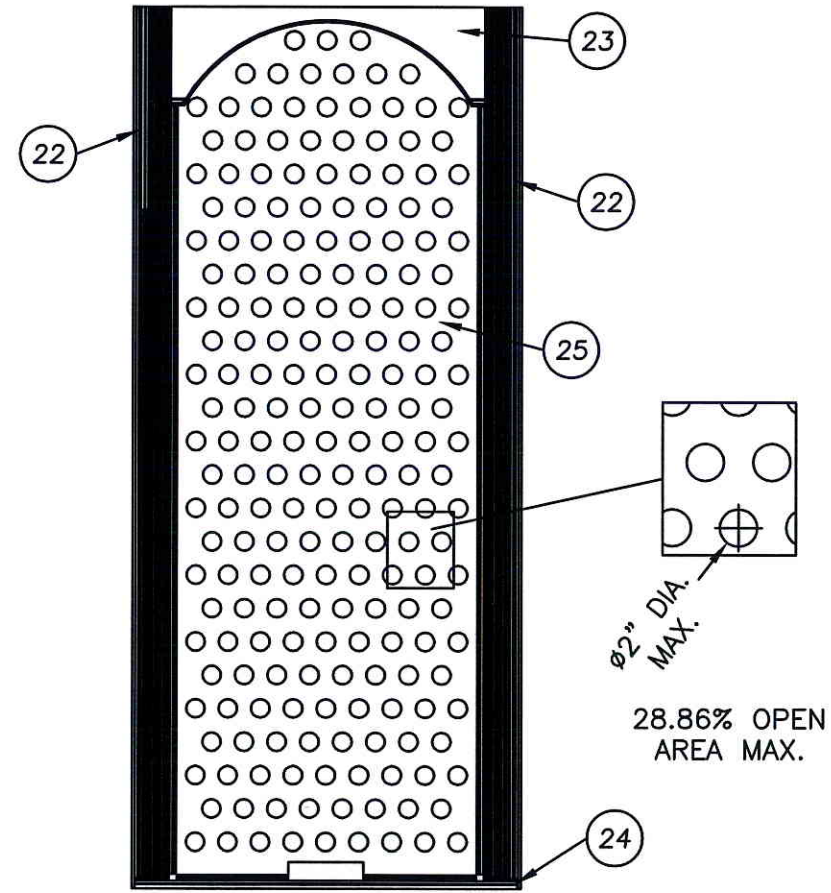
DATE: 7/16/12
SCALE: N.T.S.
DWG. BY: JK
CHK. BY: LFS
DRAWING NO.: TX-4183
SHEET 2 OF 10



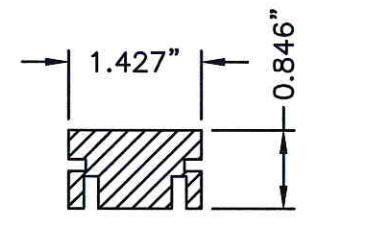
2 HORIZONTAL CROSS SECTION
3 CLASSIC CRAFT RUSTIC



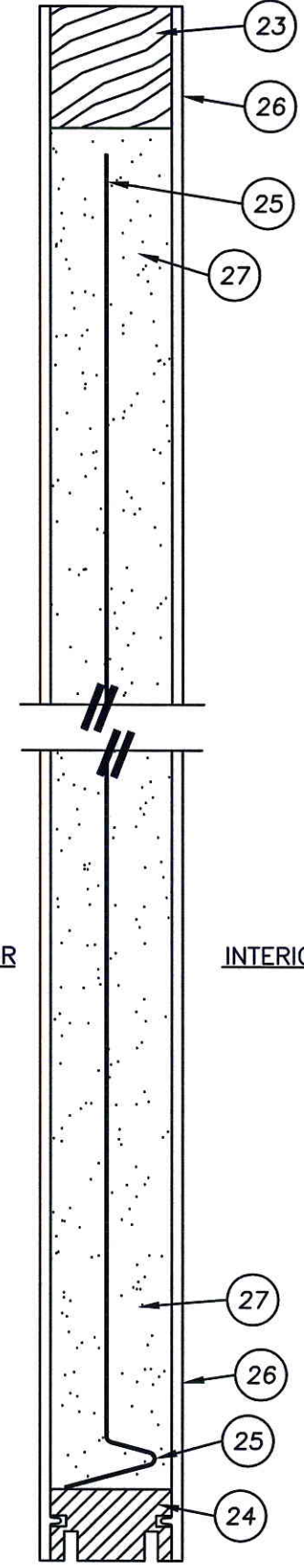
1 VERTICAL CROSS SECTION
3 CLASSIC CRAFT RUSTIC



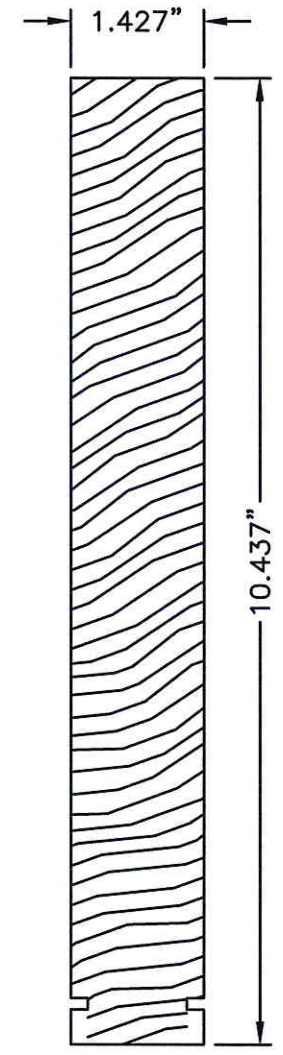
22 LOCK & HINGE STILE
CLASSIC CRAFT RUSTIC



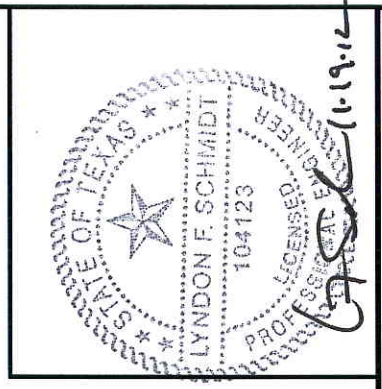
24 BOTTOM RAIL
CLASSIC CRAFT RUSTIC



1 VERTICAL CROSS SECTION
3 CLASSIC CRAFT RUSTIC



23 TOP RAIL
CLASSIC CRAFT RUSTIC



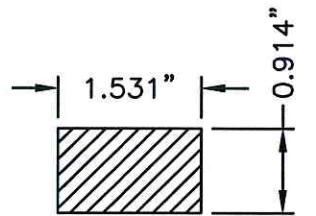
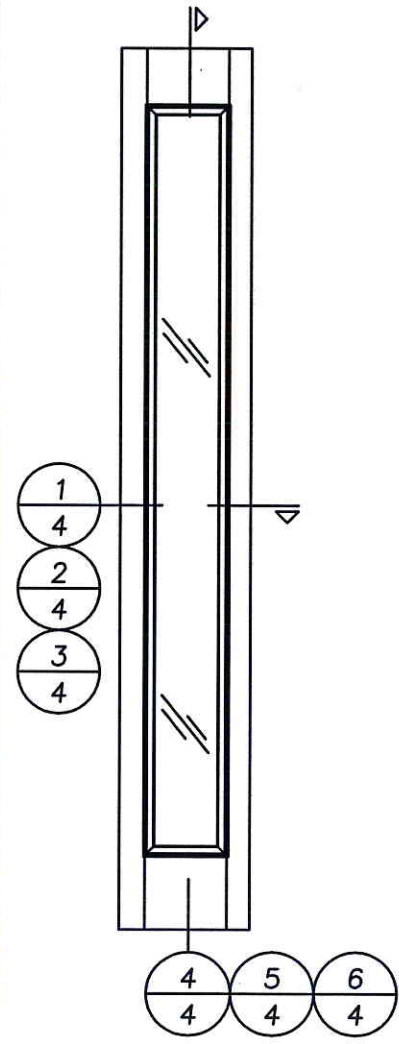
Documents Prepared By: Lyndon F. Schmidt, P.E.
TEXAS P.E. #104123
RW BUILDING CONSULTANTS, INC.
P.O. Box 230 Valrico FL 33595
Phone No.: 813.659.9197
TEXAS BOARD OF PROFESSIONAL ENGINEERS
CERTIFICATE OF REGISTRATION # F-11852

PRODUCT: SINGLE OPAQUE
FIBERGLASS DOOR W/ SIDELITES
"IMPACT" INSURING / OUTSWING
PART OR ASSEMBLY:
DOOR PANEL DETAILS
(CLASSIC CRAFT RUSTIC)

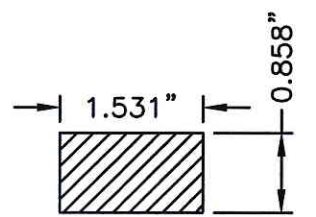
NO.	DATE	BY	REVISIONS

DATE: 7/16/12
SCALE: N.T.S.
DWG. BY: JK
CHK. BY: LFS
DRAWING NO.: TX-4183
SHEET 3 OF 10

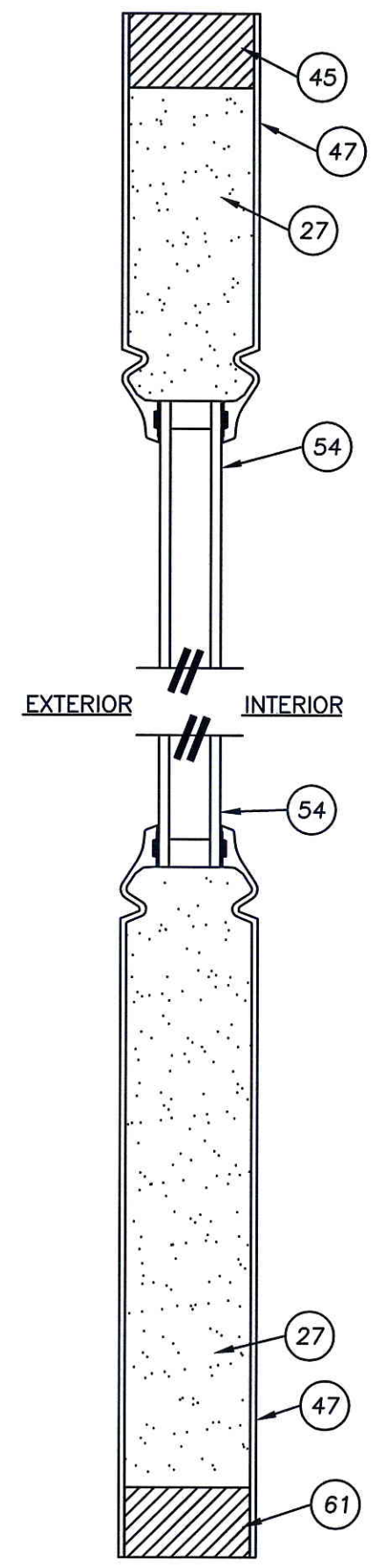
R:\A - Projects\Project Folders\Proj 1101 - 1200\pf1104\ID. RWBC Drawings\TX-4175-83.dwg, FOX04



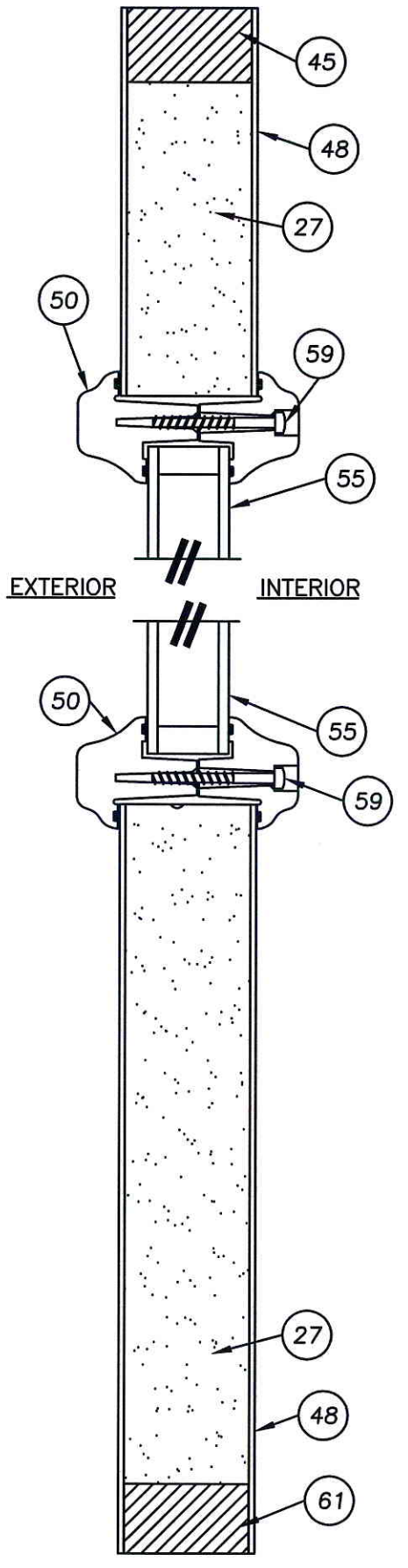
45 TOP RAIL SIDELITE



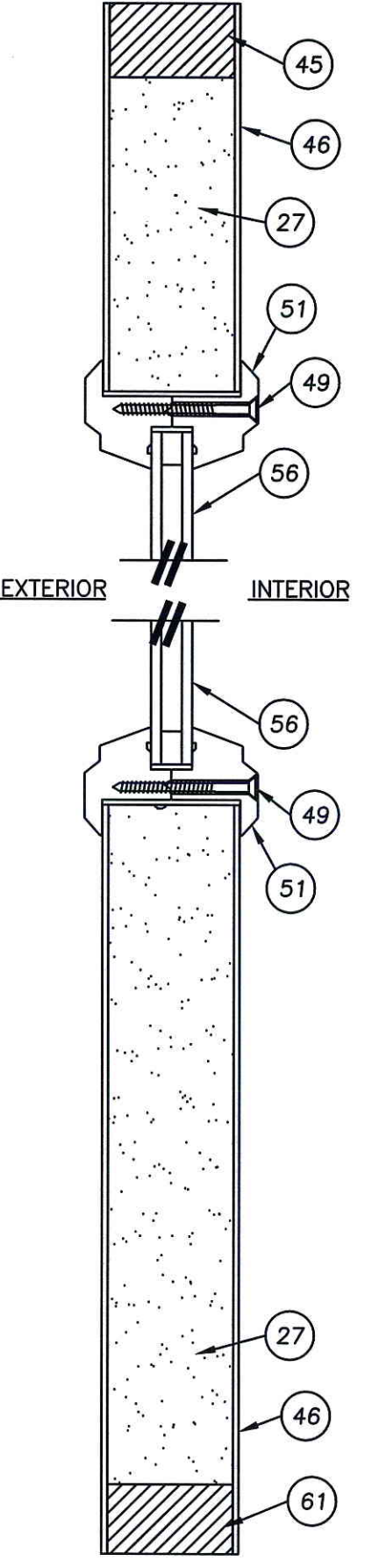
61 BOTTOM RAIL SIDELITE



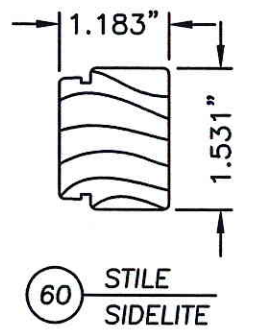
4 VERTICAL CROSS SECTION (CLASSIC CRAFT)



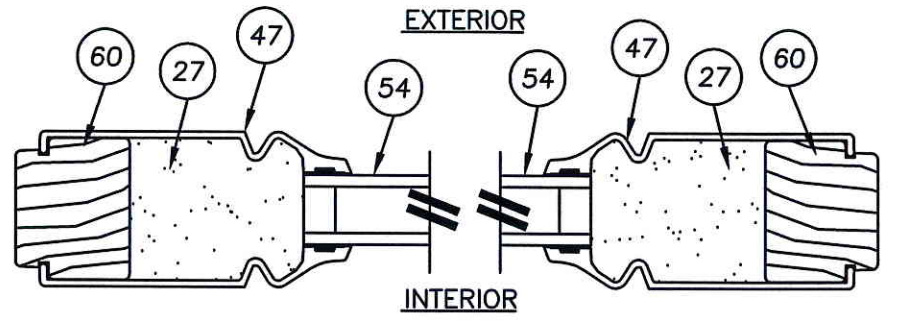
5 VERTICAL CROSS SECTION (FIBER CLASSIC)



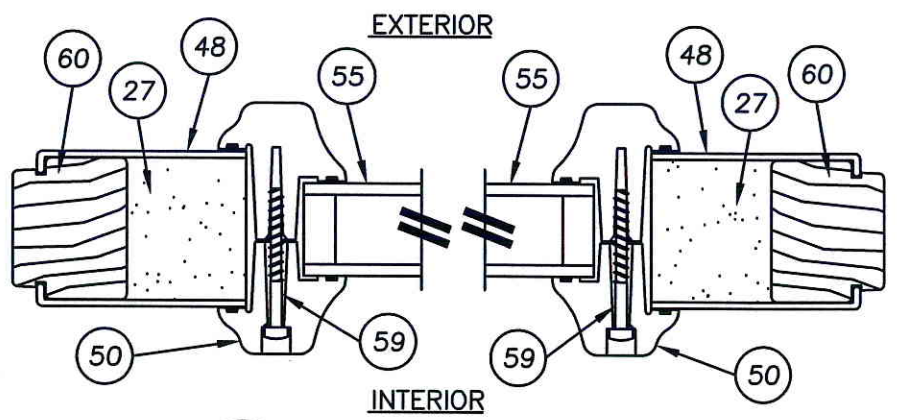
6 VERTICAL CROSS SECTION (SMOOTH STAR)



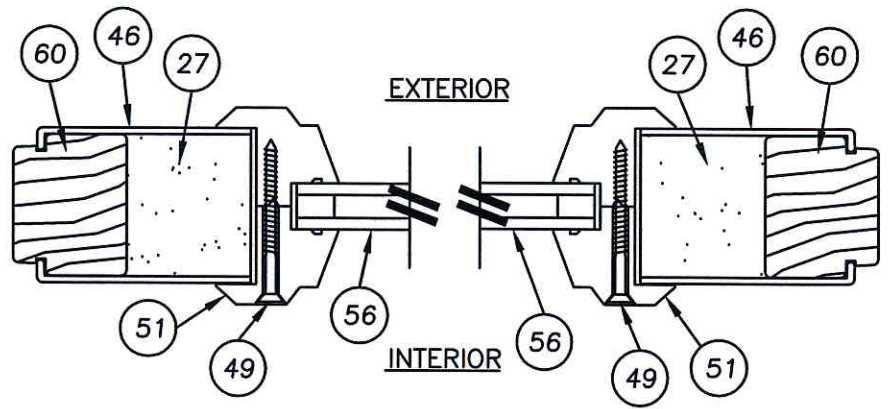
60 STILE SIDELITE



1 HORIZONTAL CROSS SECTION (CLASSIC CRAFT)



2 HORIZONTAL CROSS SECTION (FIBER CLASSIC)



3 HORIZONTAL CROSS SECTION (SMOOTH STAR)

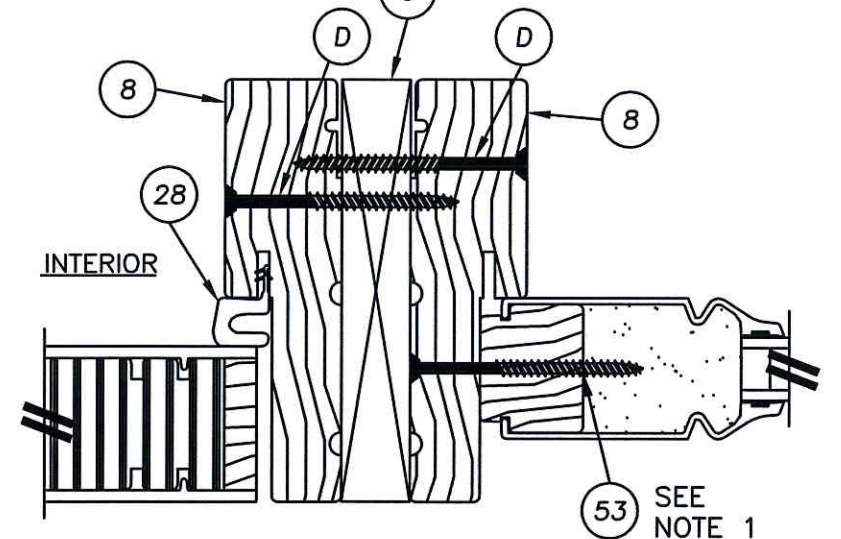
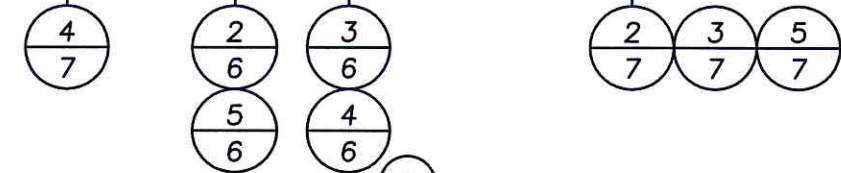
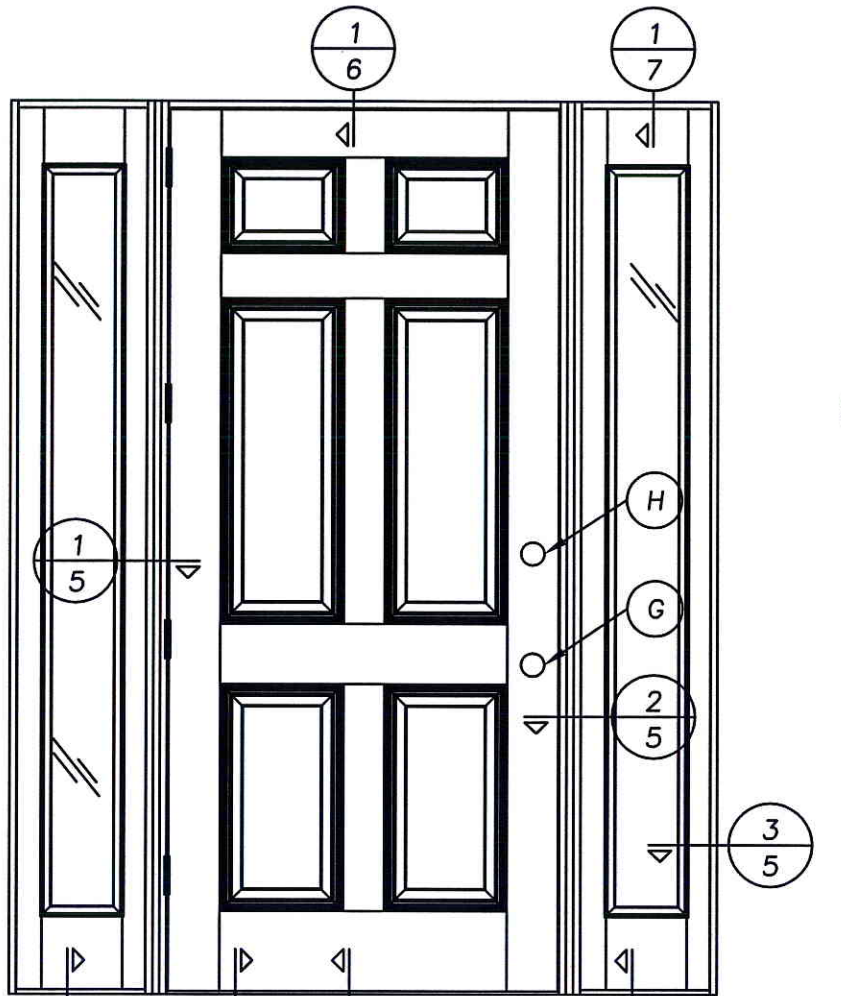


Documents Prepared By: Lyndon F. Schmidt, P.E.
 TEXAS P.E. #104123
 RW BUILDING CONSULTANTS, INC.
 P.O. Box 230 Valrico FL, 33595
 Phone No.: 813.659.9197
 TEXAS BOARD OF PROFESSIONAL ENGINEERS
 CERTIFICATE OF REGISTRATION # F-11852

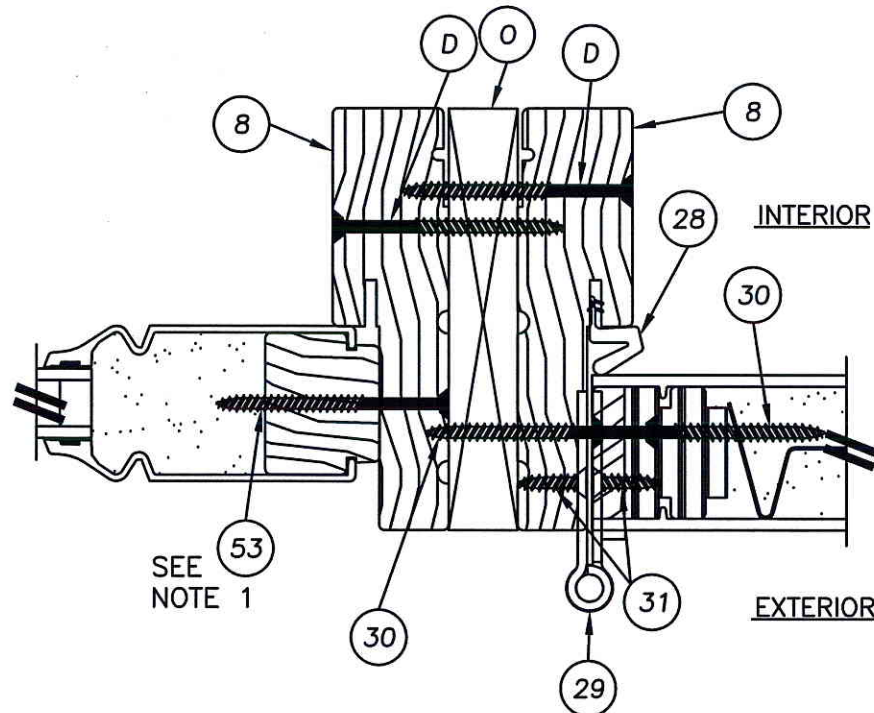
PRODUCT: SINGLE OPAQUE FIBERGLASS DOOR W/ SIDELITES "IMPACT" INSUNG / OUTSWING
 PART OR ASSEMBLY: SIDELITE PANEL DETAILS

NO.	DATE	REVISIONS	BY

DATE: 7/16/12
 SCALE: N.T.S.
 DWG. BY: JK
 CHK. BY: LFS
 DRAWING NO.: TX-4183
 SHEET 4 OF 10

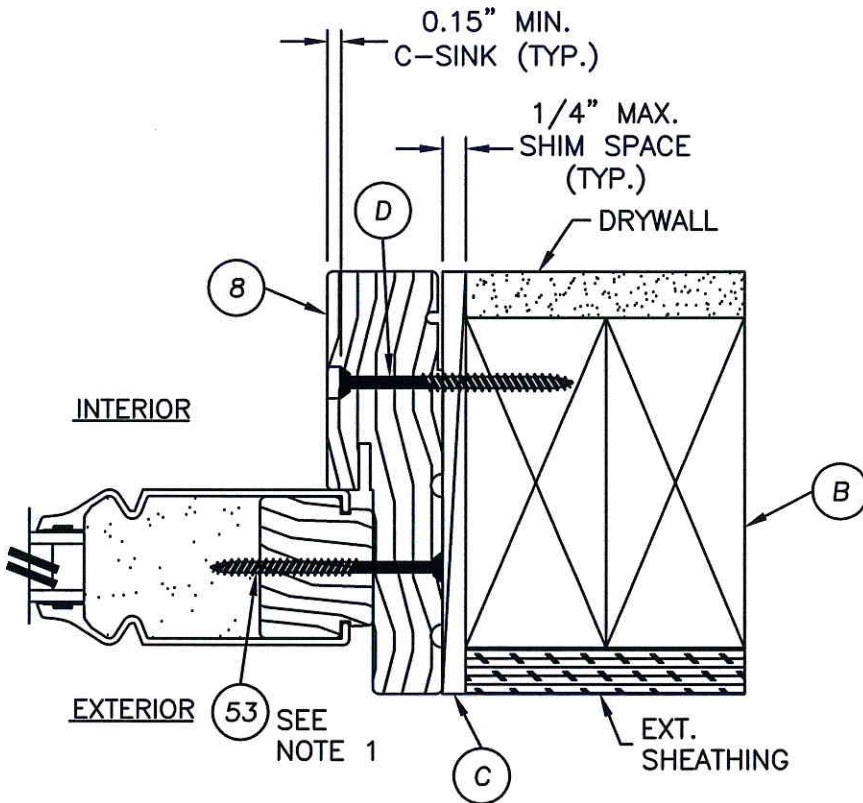


2 HORIZONTAL CROSS SECTION
 5 OUTSWING SHOWN (INSWING ALSO APPROVED)
 CLASSIC CRAFT PANEL SHOWN
 SEE PANEL DETAILS FOR
 OPTIONAL PANEL TYPES



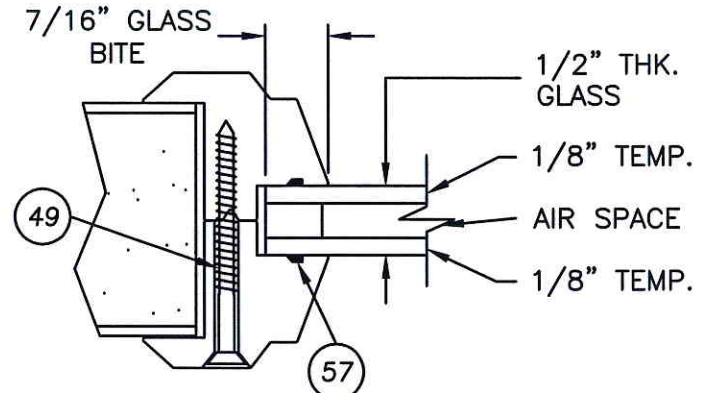
SEE NOTE 1

1 HORIZONTAL CROSS SECTION
 5 OUTSWING SHOWN (INSWING ALSO APPROVED)
 CLASSIC CRAFT PANEL SHOWN
 SEE DOOR PANEL DETAILS FOR
 OPTIONAL PANEL TYPES

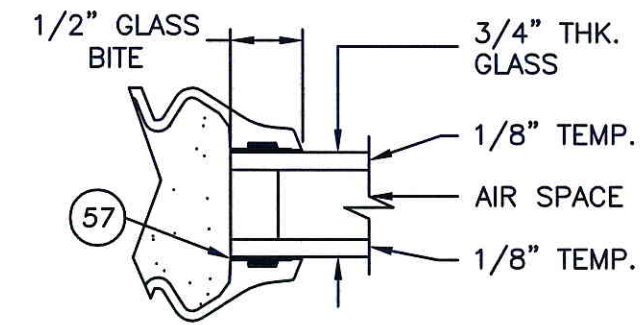


3 HORIZONTAL CROSS SECTION
 5 OUTSWING SHOWN (INSWING ALSO APPROVED)
 CLASSIC CRAFT PANEL SHOWN
 SEE SIDELITE PANEL DETAILS FOR
 OPTIONAL PANEL TYPES

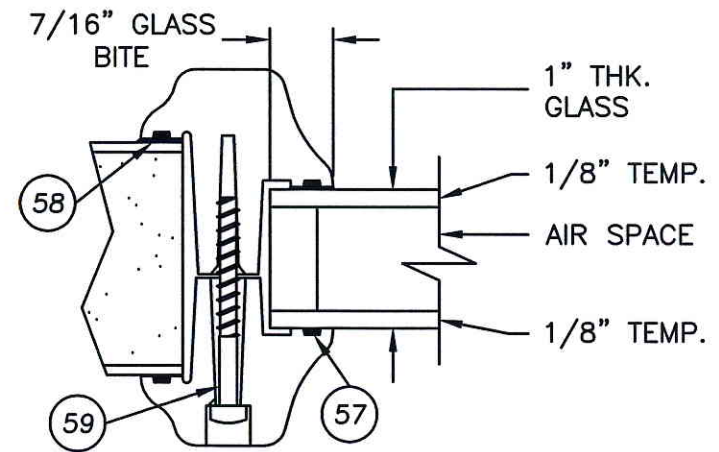
NOTE:
 1. SIDELITE ASSEMBLY SCREWS LOCATED
 4" FROM ENDS AND 5 MORE EQUALLY
 SPACED (7 TOTAL).



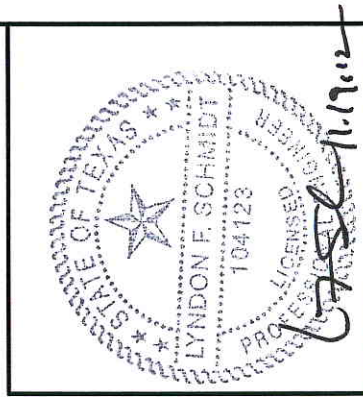
56 GLAZING DETAIL
 1/2" INSULATED GLASS



54 GLAZING DETAIL
 3/4" INSULATED GLASS



55 GLAZING DETAIL
 1" INSULATED GLASS



Documents Prepared By: Lyndon F. Schmidt, P.E.
 TEXAS P.E. #104123

RW BUILDING CONSULTANTS, INC.
 P.O. Box 230 Valrico FL 33595
 Phone No.: 813.659.9197

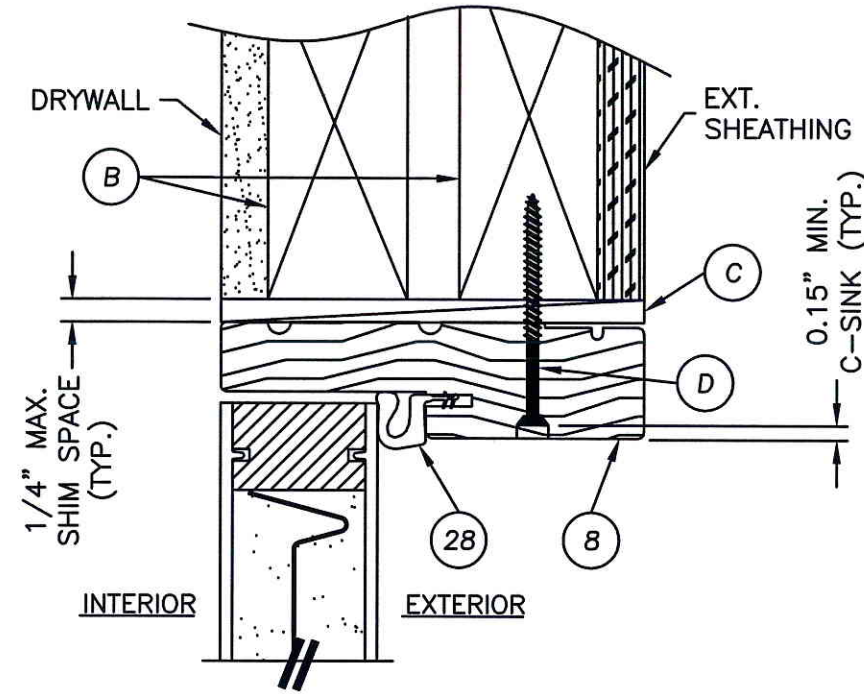
TEXAS BOARD OF PROFESSIONAL ENGINEERS
 CERTIFICATE OF REGISTRATION # F-11852

PRODUCT: SINGLE OPAQUE
 FIBERGLASS DOOR W/SIDELITES
 "IMPACT" INSWING / OUTSWING
 PART OR ASSEMBLY:
 HORIZONTAL CROSS SECTIONS
 & GLAZING DETAILS

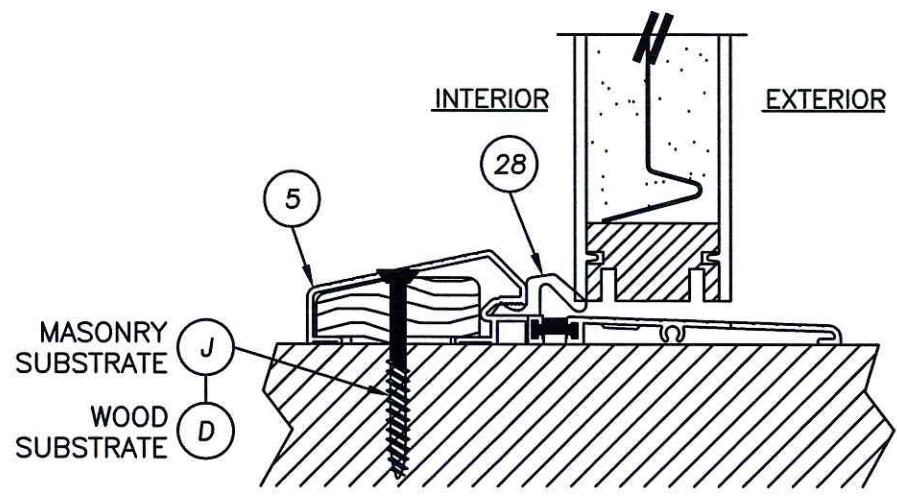
NO.	DATE	BY	REVISIONS

DATE: 7/16/12
 SCALE: N.T.S.
 DWG. BY: JK
 CHK. BY: LFS
 DRAWING NO.: TX-4183
 SHEET 5 OF 10

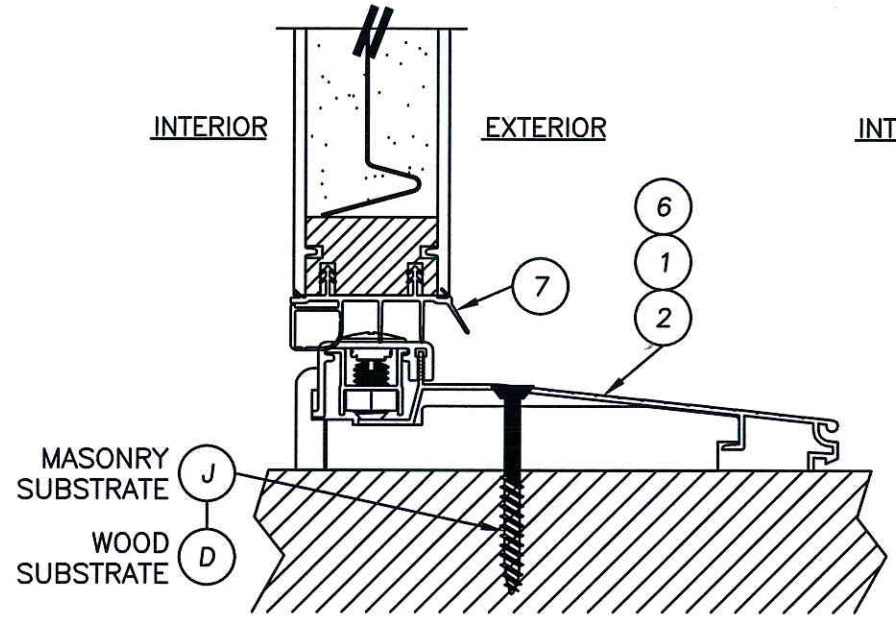
R:\A - Projects\Project Folders\Proj 1101 - 1200\pf1104\1D. RWBC Drawings\TX-4175-83.dwg, FOX06



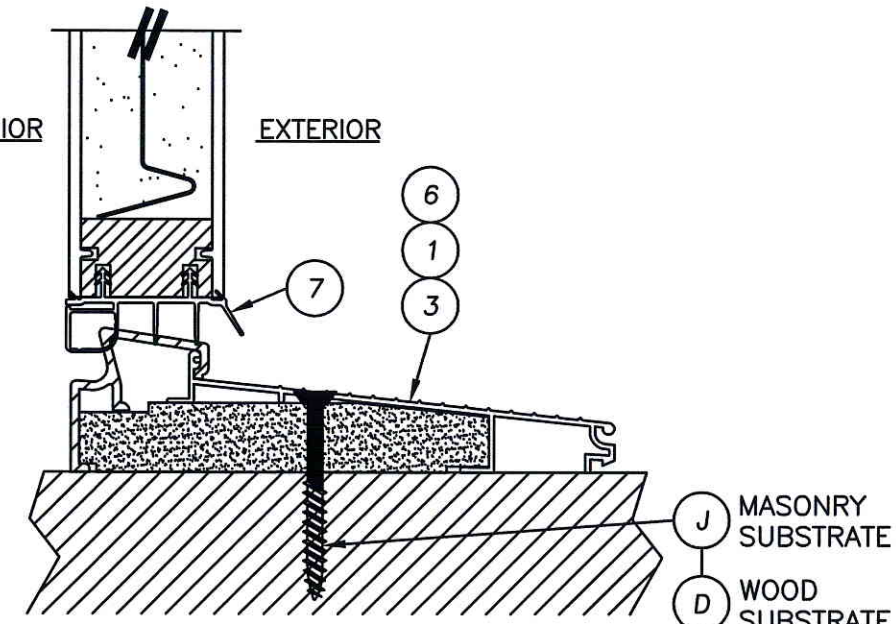
1 VERTICAL CROSS SECTION
 6 INSWING SHOWN (OUTSWING ALSO APPROVED)
 CLASSIC CRAFT PANEL SHOWN
 SEE DOOR PANEL DETAILS FOR
 OPTIONAL PANEL TYPES



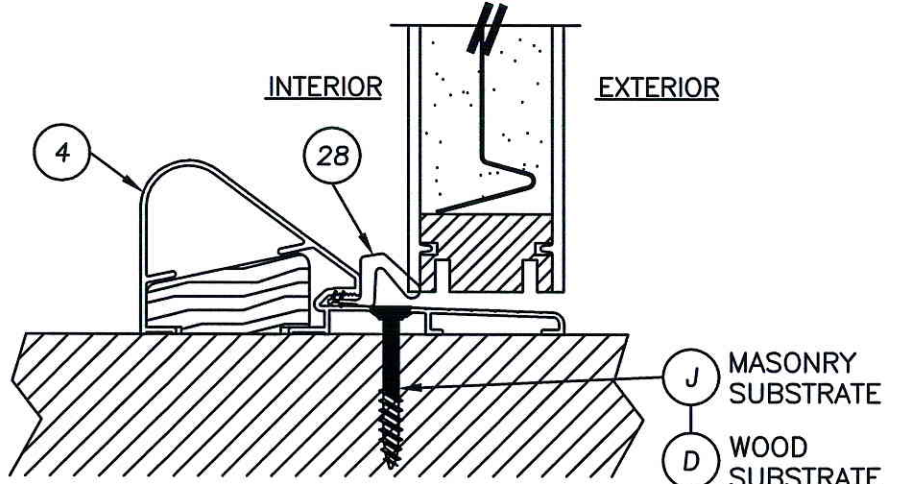
3 VERTICAL CROSS SECTION
 6 @ THRESHOLD
 CLASSIC CRAFT PANEL SHOWN
 SEE DOOR PANEL DETAILS FOR
 OPTIONAL PANEL TYPES



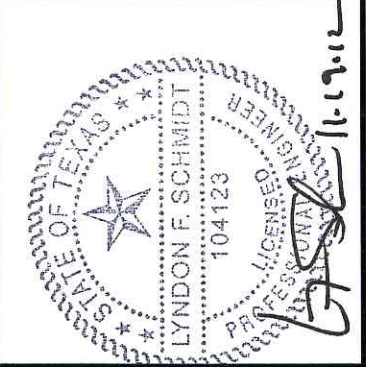
4 VERTICAL CROSS SECTION
 6 @ THRESHOLD
 CLASSIC CRAFT PANEL SHOWN
 SEE DOOR PANEL DETAILS FOR
 OPTIONAL PANEL TYPES



5 VERTICAL CROSS SECTION
 6 @ THRESHOLD
 CLASSIC CRAFT PANEL SHOWN
 SEE DOOR PANEL DETAILS FOR
 OPTIONAL PANEL TYPES



6 VERTICAL CROSS SECTION
 6 @ THRESHOLD
 CLASSIC CRAFT PANEL SHOWN
 SEE DOOR PANEL DETAILS FOR
 OPTIONAL PANEL TYPES



Documents Prepared By: Lyndon F. Schmidt, P.E.
 TEXAS P.E. #104123
 RW BUILDING CONSULTANTS, INC.
 P.O. Box 230 Vairico FL 33595
 Phone No.: 813.659.9197
 TEXAS BOARD OF PROFESSIONAL ENGINEERS
 CERTIFICATE OF REGISTRATION # F-11852

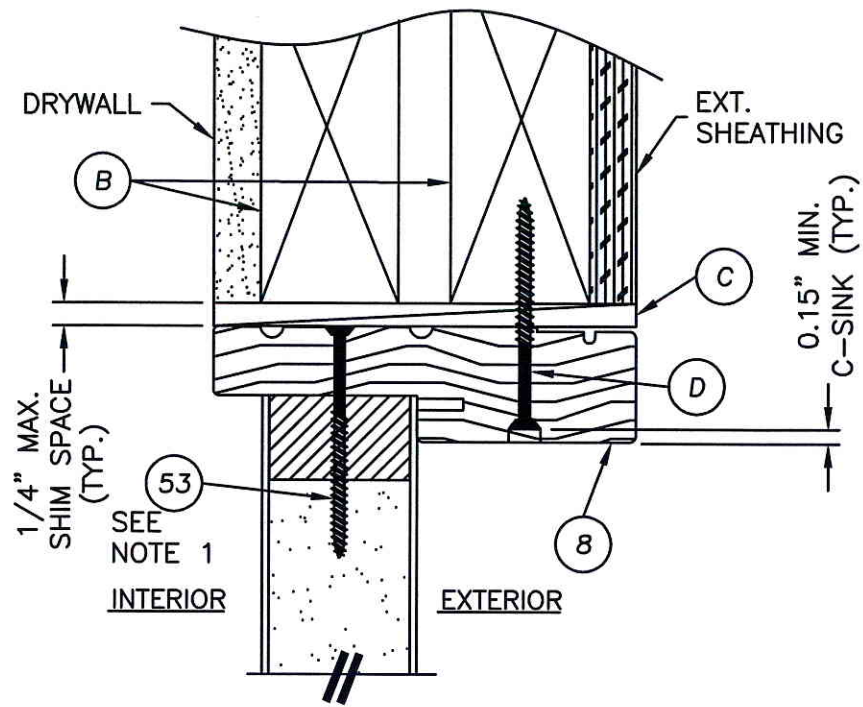
PRODUCT: SINGLE OPAQUE
 FIBERGLASS DOOR W/ SIDELITES
 "IMPACT" INSWING / OUTSWING
 PART OR ASSEMBLY:
 VERTICAL CROSS SECTIONS

NO.	DATE	BY	REVISIONS

DATE: 7/16/12
 SCALE: N.T.S.
 DWG. BY: JK
 CHK. BY: LFS
 DRAWING NO.: TX-4183
 SHEET 6 OF 10

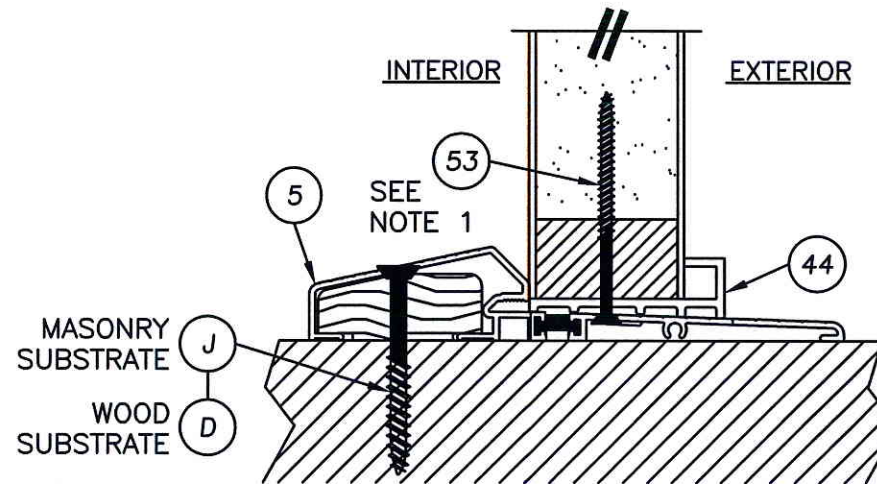
© 2012 R.W. BUILDING CONSULTANTS INC.

R:\A - Projects\Project Folders\Proj 1101 - 1200\pf1104\ID - RWBC Drawings\TX-4175-83.dwg, FOX07

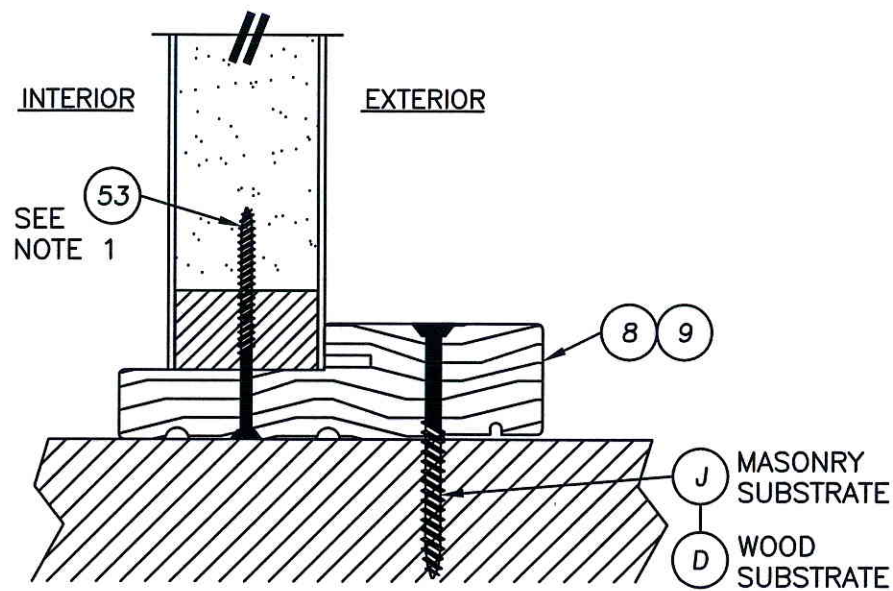


1
7 VERTICAL CROSS SECTION

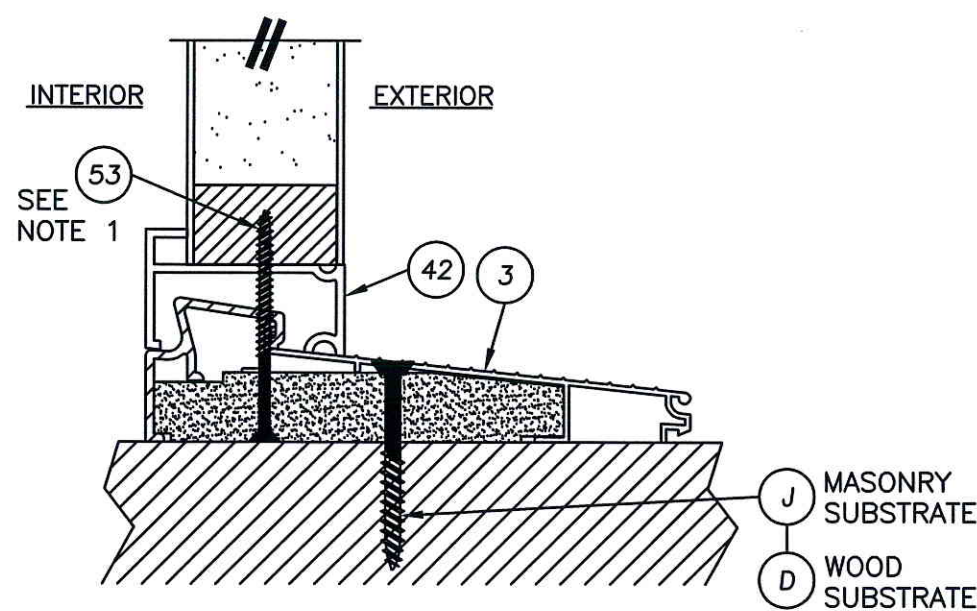
NOTE:
1. SIDELITE ASSEMBLY SCREWS LOCATED 4.25" FROM ENDS (2 TOTAL).



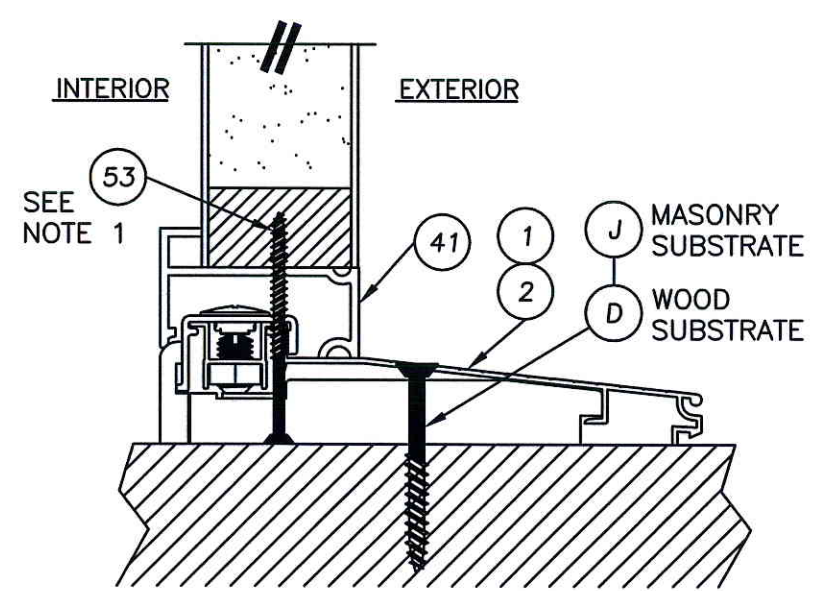
5
7 VERTICAL CROSS SECTION



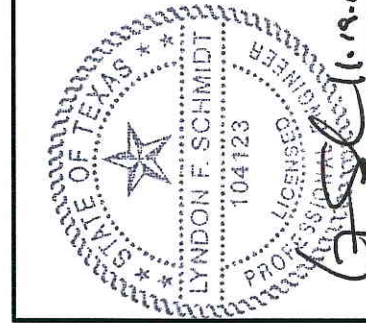
4
7 VERTICAL CROSS SECTION



3
7 VERTICAL CROSS SECTION



6
7 VERTICAL CROSS SECTION



Documents Prepared By: Lyndon F. Schmidt, P.E.
TEXAS P.E. #104123

RW BUILDING CONSULTANTS, INC.
P.O. Box 230 Valrico FL, 33595
Phone No.: 813.659.9197

TEXAS BOARD OF PROFESSIONAL ENGINEERS
CERTIFICATE OF REGISTRATION # F-11852

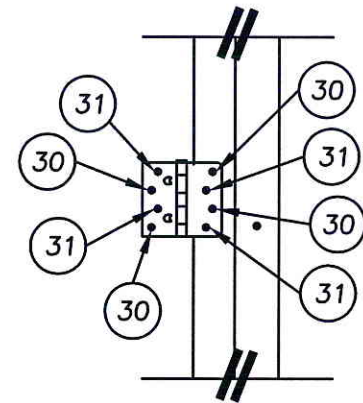
PRODUCT: SINGLE OPAQUE
FIBERGLASS DOOR W/ SIDELITES
"IMPACT" INSWING / OUTSWING

PART OR ASSEMBLY:
VERTICAL CROSS SECTIONS

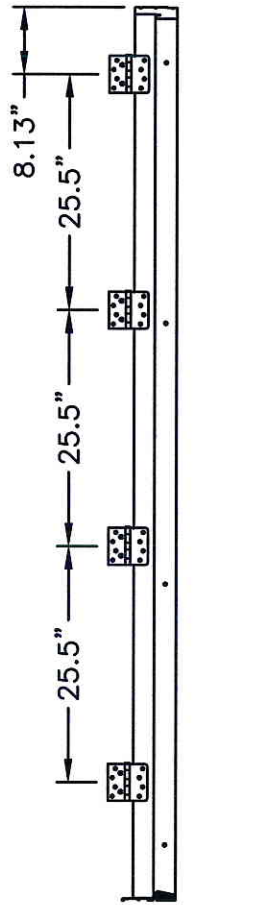
NO.	DATE	BY

DATE: 7/16/12
SCALE: N.T.S.
DWG. BY: JK
CHK. BY: LFS
DRAWING NO.: TX-4183
SHEET 7 OF 10

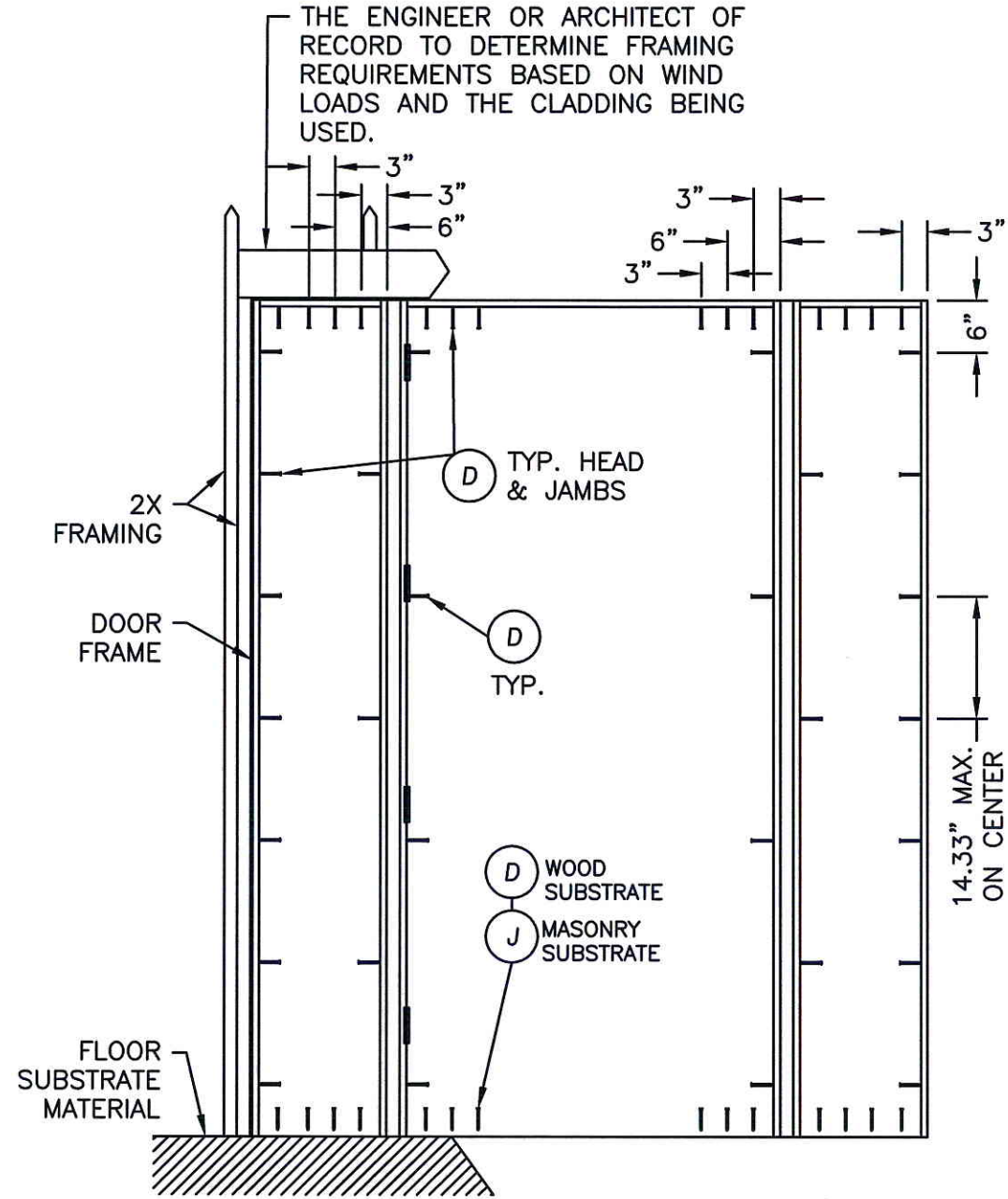
© 2012 R.W. BUILDING CONSULTANTS INC.



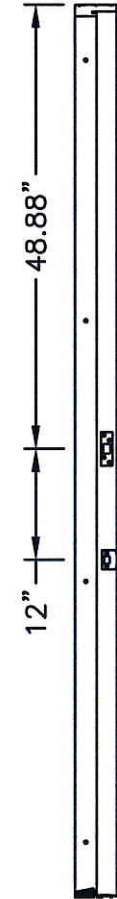
HINGE DETAIL



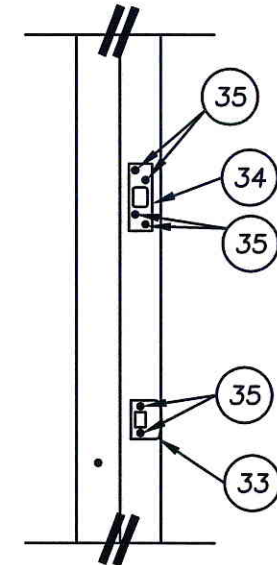
HINGE DETAIL



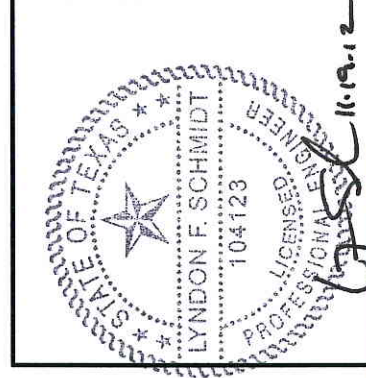
FRAME ANCHORING



STRIKE PLATE DETAIL



STRIKE PLATE DETAIL



Documents Prepared By: Lyndon F. Schmidt, P.E.
TEXAS P.E. #104123

RW BUILDING CONSULTANTS, INC.
P.O. Box 230 Valrico FL 33595
Phone No.: 813.659.9197

TEXAS BOARD OF PROFESSIONAL ENGINEERS
CERTIFICATE OF REGISTRATION # F-11852

PRODUCT: SINGLE OPAQUE
FIBERGLASS DOOR W/ SIDELITES
"IMPACT" INSWING / OUTSWING

PART OR ASSEMBLY: FRAME ANCHORING

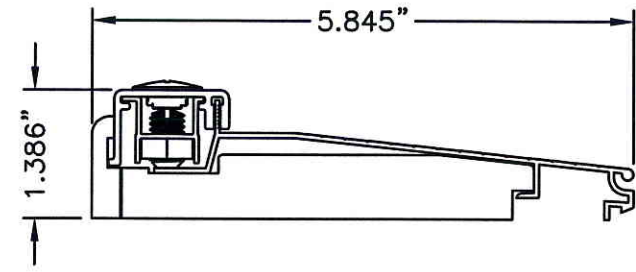
NO.	DATE	BY	REVISIONS

DATE: 7/16/12
SCALE: N.T.S.
DWG. BY: JK
CHK. BY: LFS
DRAWING NO.: TX-4183
SHEET 8 OF 10

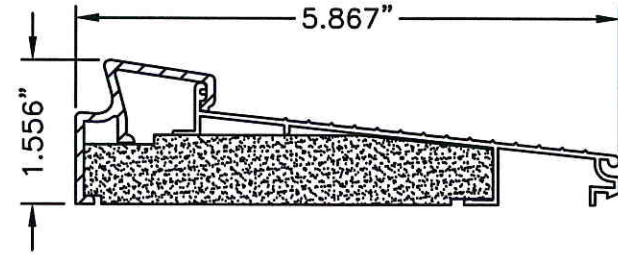
CONCRETE ANCHOR NOTES:

- Concrete anchor locations at the corners may be adjusted to maintain the min. edge distance to mortar joints.
- Concrete anchor locations noted as "MAX. ON CENTER" must be adjusted to maintain the min. edge distance to mortar joints, additional concrete anchors may be required to ensure the "MAX. ON CENTER" dimension are not exceeded.
- Concrete anchor table:

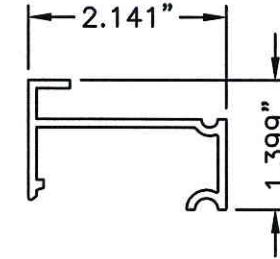
ANCHOR TYPE	ANCHOR SIZE	MIN. EMBEDMENT	MIN. CLEARANCE TO MASONRY EDGE	MIN. CLEARANCE TO ADJACENT ANCHOR
ITW TAPCON®	1/4"	1-3/4"	2-1/2"	3"
ELCO ULTRACON®	1/4"	1-3/4"	1"	3"



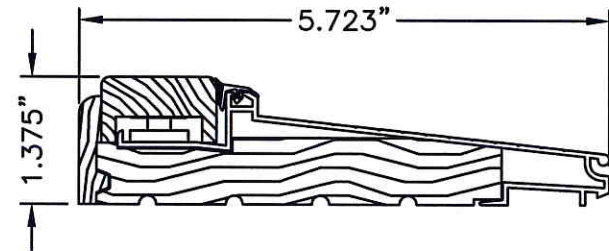
2 THRESHOLD
INSWING ADJUSTABLE



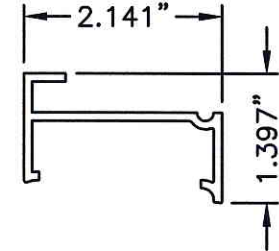
3 THRESHOLD
INSWING SELF-ADJUST



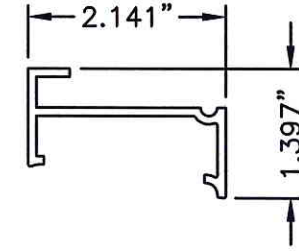
41 INSWING SIDELITE
SPACER



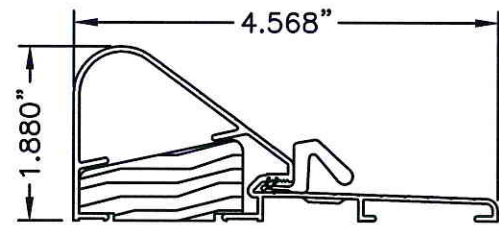
1 THRESHOLD
INSWING ADJUSTABLE



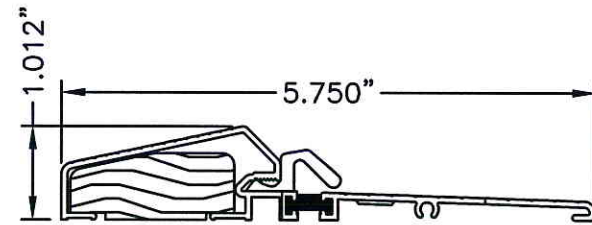
40 INSWING SIDELITE
SPACER



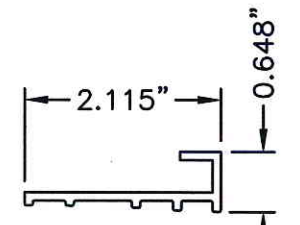
43 INSWING SIDELITE
SPACER



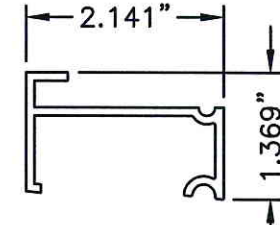
4 THRESHOLD
OUTSWING COASTAL



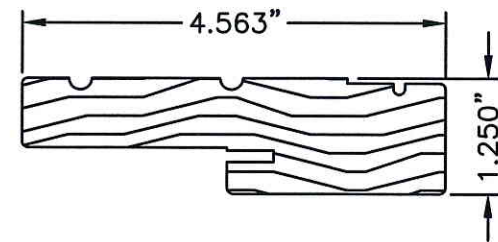
5 THRESHOLD
OUTSWING STANDARD



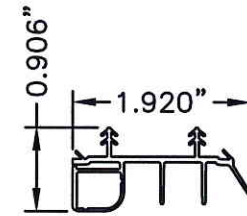
44 OUTSWING SIDELITE
SPACER



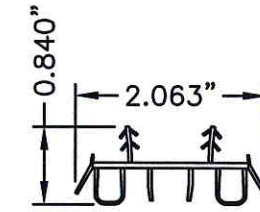
42 INSWING SIDELITE
SPACER



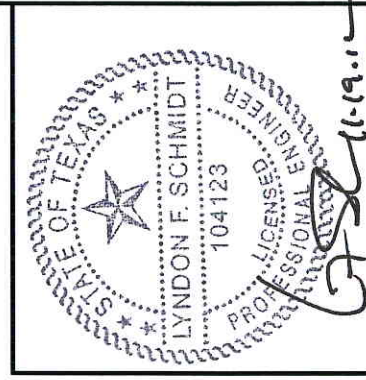
8 JAMB



7 SWEEP



52 SWEEP



Documents Prepared By: Lyndon F. Schmidt, P.E.
TEXAS P.E. #104123

RW BUILDING CONSULTANTS, INC.
P.O. Box 230 Valrico FL 33595
Phone No.: 813.658.9197

TEXAS BOARD OF PROFESSIONAL ENGINEERS
CERTIFICATE OF REGISTRATION # F-11852

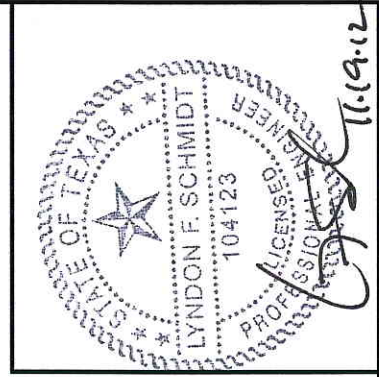
PRODUCT: SINGLE OPAQUE
FIBERGLASS DOOR W/ SIDELITES
"IMPACT" INSWING / OUTSWING
PART OR ASSEMBLY: COMPONENTS

REVISIONS		BY
NO.	DATE	

DATE: 7/16/12
SCALE: N.T.S.
DWG. BY: JK
CHK. BY: LFS
DRAWING NO.: TX-4183
SHEET 9 OF 10

BILL OF MATERIALS		
ITEM	DESCRIPTION	MATERIAL
B	2X FRAMING (G >= 0.42)	WOOD
C	1/4" MAX. SHIM SPACE	WOOD
D	#10 X 2-1/2" PFH WOOD SCREW	STEEL
G	KWIKSET 200 SERIES PASSAGE LOCK	STEEL
H	KWIKSET 600 SERIES DEADBOLT	STEEL
J	1/4" ELCO OR ITW CONCRETE SCREW (1-3/4" MIN. EMB.)	STEEL
O	1X MULLION (G >= 0.42)	WOOD
1	IN swing ADJUSTABLE THRESHOLD (IS300AJ)	ALUM./WOOD
2	IN swing THRESHOLD (IS300HP5)	ALUM./COMP.
3	IN swing SELF ADJUST THERMAL BREAK THRESHOLD (ISP30M)	ALUM./COMP.
4	OUT swing COASTAL THRESHOLD	ALUM./WOOD
5	OUT swing STANDARD THRESHOLD	ALUM./WOOD
7	DOOR BOTTOM SWEEP	VINYL
8	JAMB (OAK)	WOOD
16	HINGE STILE (CLASSIC CRAFT)	WOOD/LVL
17	LOCK STILE (CLASSIC CRAFT)	WOOD/LVL
18	TOP RAIL (CLASSIC CRAFT)	PVC
19	BOTTOM RAIL (CLASSIC CRAFT)	PVC
20	PANEL REINFORCEMENT 0.023" THK. (CLASSIC CRAFT)	STEEL
21	DOOR SKIN 0.125" THK. (CLASSIC CRAFT) Fy = 6,000 PSI MIN.	FIBERGLASS
22	LOCK & HINGE STILE (CLASSIC CRAFT RUSTIC)	WOOD/LVL
23	TOP RAIL (CLASSIC CRAFT RUSTIC)	WOOD
24	BOTTOM RAIL (CLASSIC CRAFT RUSTIC)	PVC
25	PANEL REINFORCEMENT 0.023" THK. (CLASSIC CRAFT RUSTIC)	STEEL
26	DOOR SKIN 0.125" THK. (CC RUSTIC) Fy = 6,000 PSI MIN.	FIBERGLASS
27	FOAM CORE	POLYURETHANE
28	WEATHERSTRIP	FOAM
29	HINGE	STEEL
30	#10 X 2-1/2" PFH SCREW	STEEL
31	#10 X 3/4" PFH SCREW	STEEL
32	#9 X 3" PFH WOOD SCREW	STEEL
33	LATCH STRIKE PLATE	STEEL
34	SECURITY STRIKE PLATE (SINGLE DOOR ONLY)	STEEL
35	#8 X 3" PFH SCREW	STEEL

BILL OF MATERIALS		
ITEM	DESCRIPTION	MATERIAL
40	IN swing SIDELITE SPACER FOR ADJUSTABLE THRESHOLD (DB14AJA)	PVC
41	IN swing SIDELITE SPACER FOR HP THRESHOLD (DB14HPA)	PVC
42	IN swing SIDELITE SPACER FOR SELF ADJUST THRESHOLD (DB14)	PVC
43	IN swing SIDELITE SPACER	PVC
44	OUT swing SIDELITE SPACER	PVC
45	SIDELITE TOP RAIL	PVC
46	SIDELITE SKIN 0.070" THK. (SMOOTH STAR) Fy = 6,000 PSI MIN.	FIBERGLASS
47	SIDELITE SKIN 0.090" THK. (CLASSIC CRAFT) Fy = 6,000 PSI MIN.	FIBERGLASS
48	SIDELITE SKIN 0.070" THK. (FIBER CLASSIC) Fy = 6,000 PSI MIN.	FIBERGLASS
49	#6 X 1-3/4" PFH SCREW (LITE FRAME)	STEEL
50	LITE FRAME FIBER CLASSIC	PVC
51	LITE FRAME SMOOTH STAR	PVC
52	DOOR BOTTOM SWEEP	VINYL
53	#9 X 2-1/2" PFH WOOD SCREW (JAMB TO SIDELITE)	STEEL
54	3/4" INSULATED GLASS 1/8" TEMPERED - AIR - 1/8" TEMPERED	GLASS
55	1" INSULATED GLASS 1/8" TEMPERED - AIR - 1/8" TEMPERED	GLASS
56	1/2" INSULATED GLASS 1/8" TEMPERED - AIR - 1/8" TEMPERED	GLASS
57	GLAZING COMPOUND	SILICONE
58	SEALANT	SILICONE
59	#9 X 1" PPH SCREW (LITE FRAME)	STEEL
60	SIDELITE STILE	WOOD
61	SIDELITE BOTTOM RAIL	PVC



Documents Prepared By: Lyndon F. Schmidt, P.E.
TEXAS P.E. #104123

RW BUILDING CONSULTANTS, INC.
P.O. Box 230 Valrico FL 33595
Phone No.: 813.659.9197

TEXAS BOARD OF PROFESSIONAL ENGINEERS
CERTIFICATE OF REGISTRATION # F-11852

PRODUCT: SINGLE OPAQUE
FIBERGLASS DOOR W/ SIDELITES
"IMPACT" IN swing / OUT swing
PART OR ASSEMBLY:
BILL OF MATERIALS

NO.	DATE	BY	REVISIONS

DATE: 7/16/12
SCALE: N.T.S.
DWG. BY: JK
CHK. BY: LFS
DRAWING NO.: TX-4183
SHEET 10 OF 10