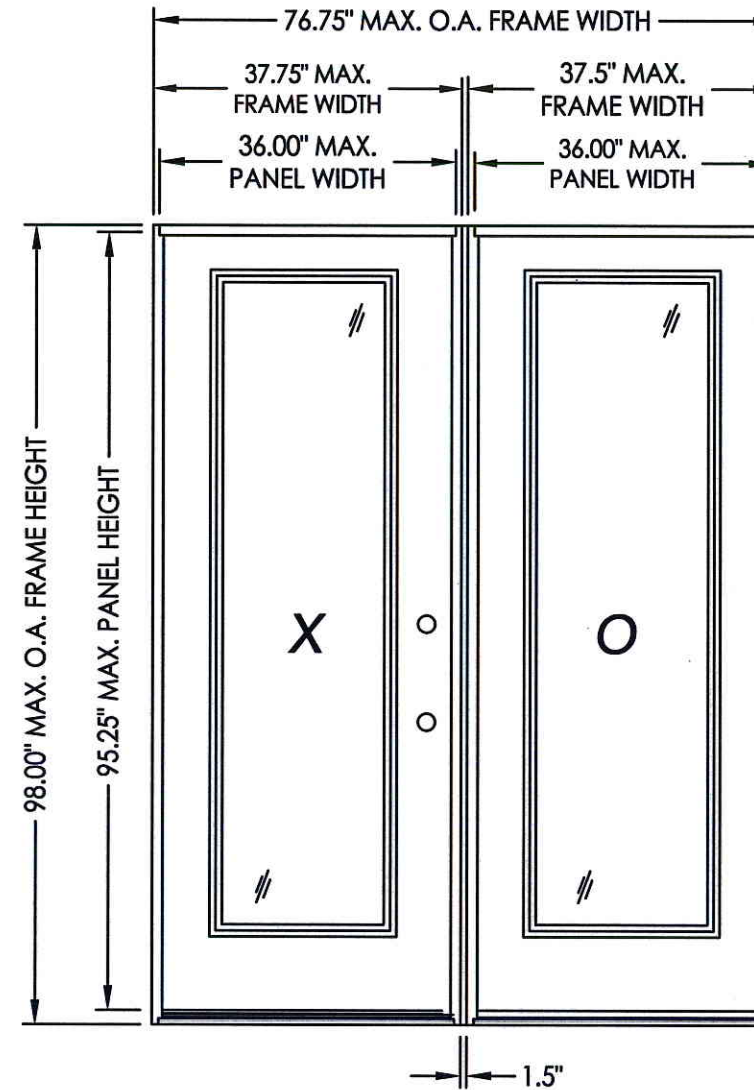


# THERMA TRU®

118 INDUSTRIAL DR., EDGERTON, OH 43517  
TEL. (419)298-1740

## "SMOOTH STAR", "FIBER CLASSIC", "CLASSIC CRAFT" & "CLASSIC CRAFT RUSTIC" GLAZED FIBERGLASS SINGLE DOOR W/SIDELITE IN SWING / OUT SWING "IMPACT"



"SMOOTH STAR", "FIBER CLASSIC"  
"CLASSIC CRAFT" & "CLASSIC CRAFT RUSTIC"

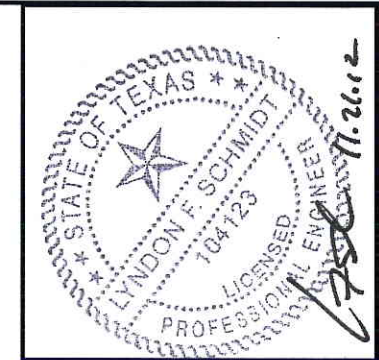
SWING	OVERALL FRAME DIMENSION	OVERALL D.L.O. DOOR / SIDELITE DIMENSION	DESIGN PRESSURE (PSF)	
			POSITIVE	NEGATIVE
IN SWING	76.75" X 98.00"	21.00" X 78.75"	+47.0	-47.0
OUT SWING	76.75" X 96.75"	21.00" X 78.75"	+47.0	-47.0

### EVALUATED FOR USE IN THE STATE OF TEXAS

The Fiberglass Glazed Door described herein complies with the 2006 International Residential Code (IRC), Sections R301 & R613 and the 2006 International Building Code (IBC), Sections 1405.12, 1609, 1714.5, 2403 and 2404 (including Texas revisions) subject to the following conditions:

1. Anchors shall be as listed and spaced as shown in the details. Anchor embedment to base material shall be beyond wall dressing or stucco.
2. This system has been tested and evaluated as a large missile impact protective system for installation in the Seaward, Inland I and Inland II areas. This product meets missile level "D" as defined in ASTM E 1996.
3. Allowable design pressure requirements must be equal to or less than the design pressure rating shown in the design pressure chart, sheet 1 of this drawing.
4. Conditions not covered by this drawing are subject to further engineering analysis.

TABLE OF CONTENTS	
SHEET #	DESCRIPTION
1	TYPICAL ELEVATION, DESIGN PRESSURES & GENERAL NOTES
2	"SMOOTH STAR" DOOR/SIDELITE PANEL DETAILS
3	"CLASSIC CRAFT" & "CLASSIC CRAFT RUSTIC" DOOR/SIDELITE PANEL DETAILS
4	"FIBER CLASSIC" DOOR/SIDELITE PANEL DETAILS
5	HORIZONTAL CROSS SECTIONS
6	VERTICAL CROSS SECTIONS
7	VERTICAL CROSS SECTIONS
8	FRAME ANCHORING
9	COMPONENTS
10	BILL OF MATERIALS & COMPONENTS



Documents Prepared By: Lyndon F. Schmidt, P.E.  
TEXAS P.E. #104723

**RW** BUILDING CONSULTANTS, INC.  
P.O. Box 230 Valrico FL 33595  
Phone No.: 813.659.9197

TEXAS BOARD OF PROFESSIONAL ENGINEERS  
CERTIFICATE OF REGISTRATION # F-11852

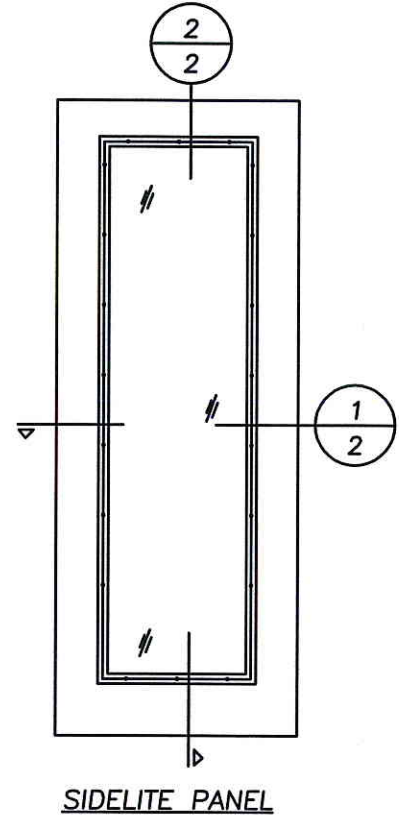
PRODUCT: THERMA-TRU  
GLAZED FIBERGLASS DOOR W/  
SIDELITE IN/OUTSWING "IMPACT"  
PART OR ASSEMBLY:  
TYPICAL ELEVATION, DESIGN  
PRESSURES & GENERAL NOTES

NO.	DATE	BY	REVISIONS

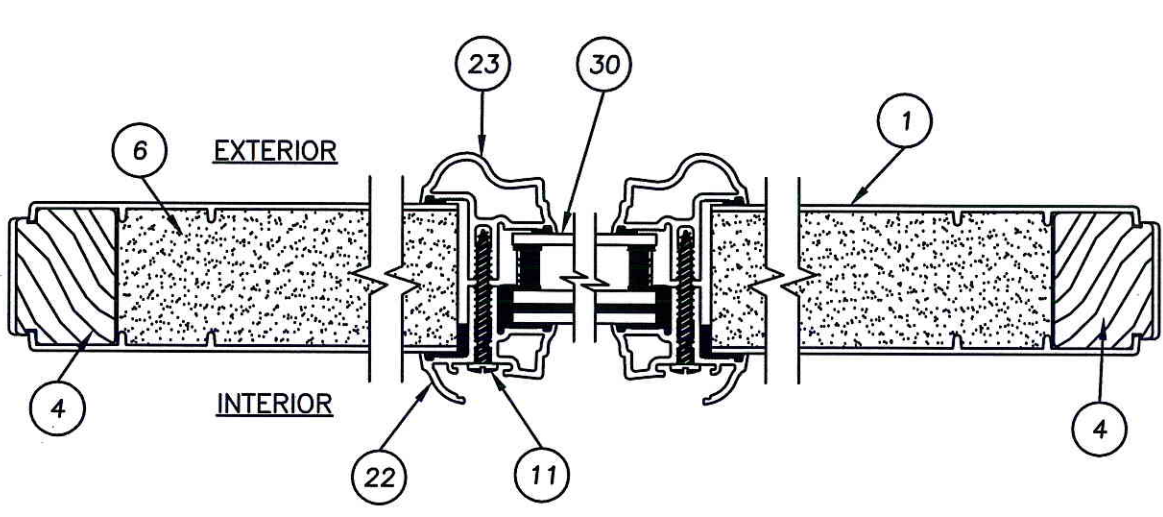
DATE: 7/17/12  
SCALE: N.T.S.  
DWG. BY: JK  
CHK. BY: LFS  
DRAWING NO.: TX-4196  
SHEET 1 OF 10



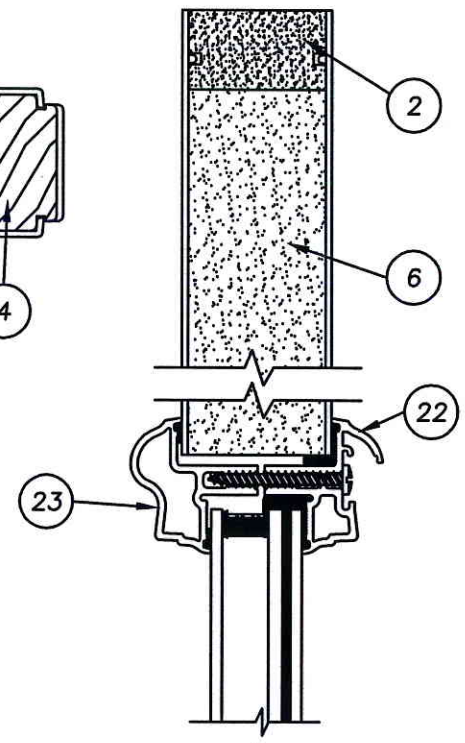
R:\A - Projects\Project Folders\Proj 1101 - 1200\pf1106\1106.D. RWBC Drawings\TX-2012\TX-4195-99.dwg, 2.6



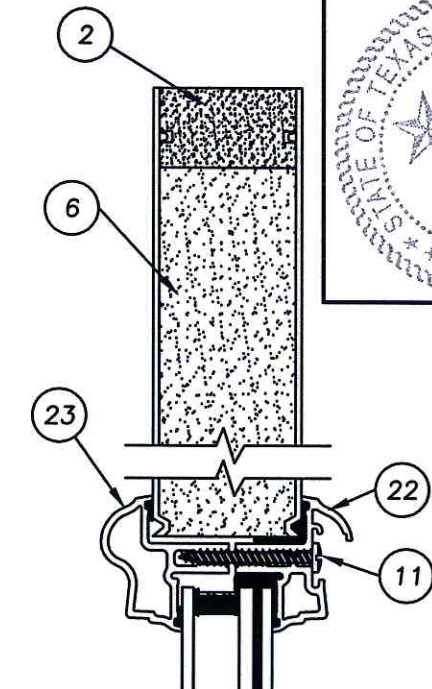
SIDELITE PANEL



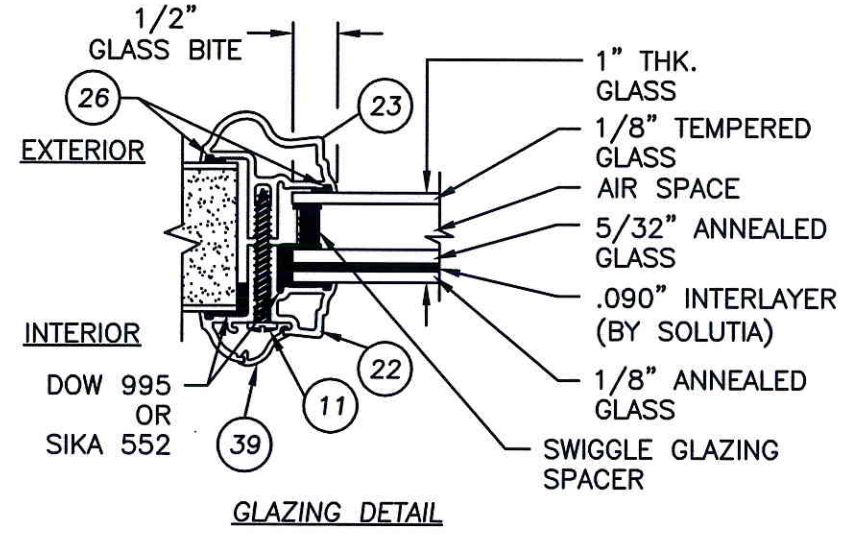
1 HORIZONTAL CROSS SECTION  
2 SIDELITE PANEL



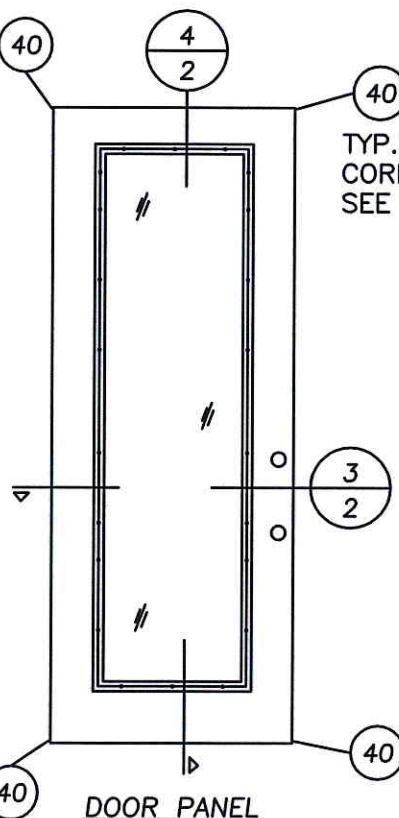
2 VERTICAL CROSS SECTION  
2 SIDELITE PANEL



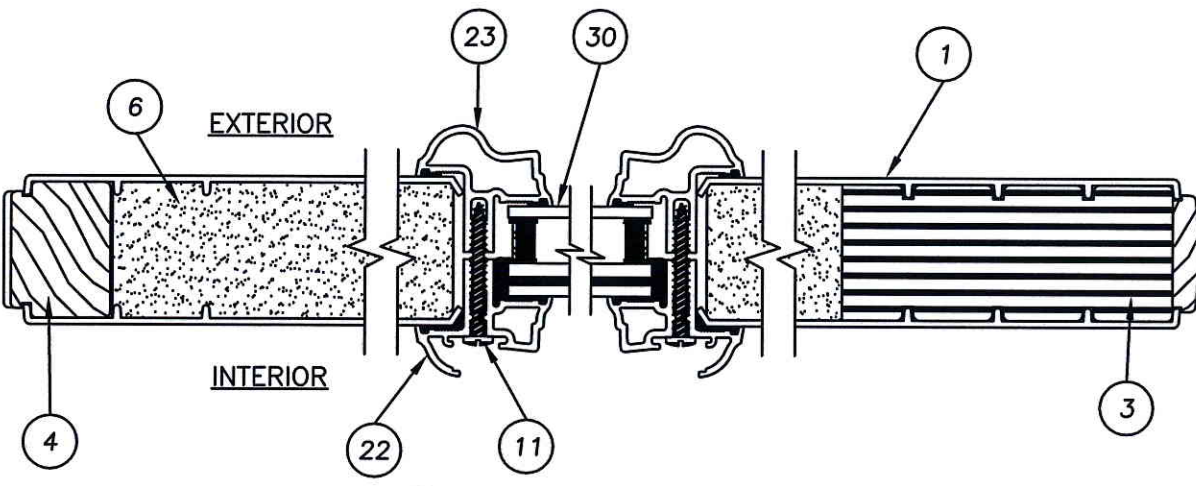
4 VERTICAL CROSS SECTION  
2 DOOR PANEL



GLAZING DETAIL



DOOR PANEL



3 HORIZONTAL CROSS SECTION  
2 DOOR PANEL

NOTE:  
1. ITEM #40 #9 x 3" PFH W.S. LOCATED THRU DOOR STYLES INTO TOP & BOTTOM RAILS TYP. (4) CORNER AS SHOWN.

TYP. (4) CORNERS SEE NOTE 1



Documents Prepared By: Lyndon F. Schmidt, P.E.  
TEXAS P.E. #104123

**RW** BUILDING CONSULTANTS, INC.  
P.O. Box 230 Valrico FL 33595  
Phone No.: 813.659.9197

TEXAS BOARD OF PROFESSIONAL ENGINEERS  
CERTIFICATE OF REGISTRATION # F-11852

PRODUCT: THERMA-TRU GLAZED FIBERGLASS DOOR W/ SIDELITE IN/OUTSWING "IMPACT" PART OR ASSEMBLY: "SMOOTH STAR" DOOR/SIDELITE PANEL DETAILS

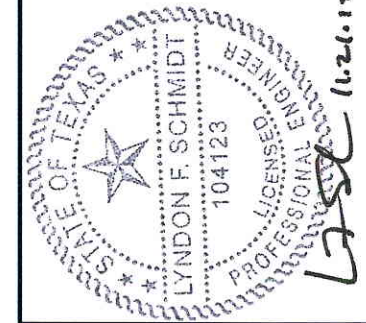
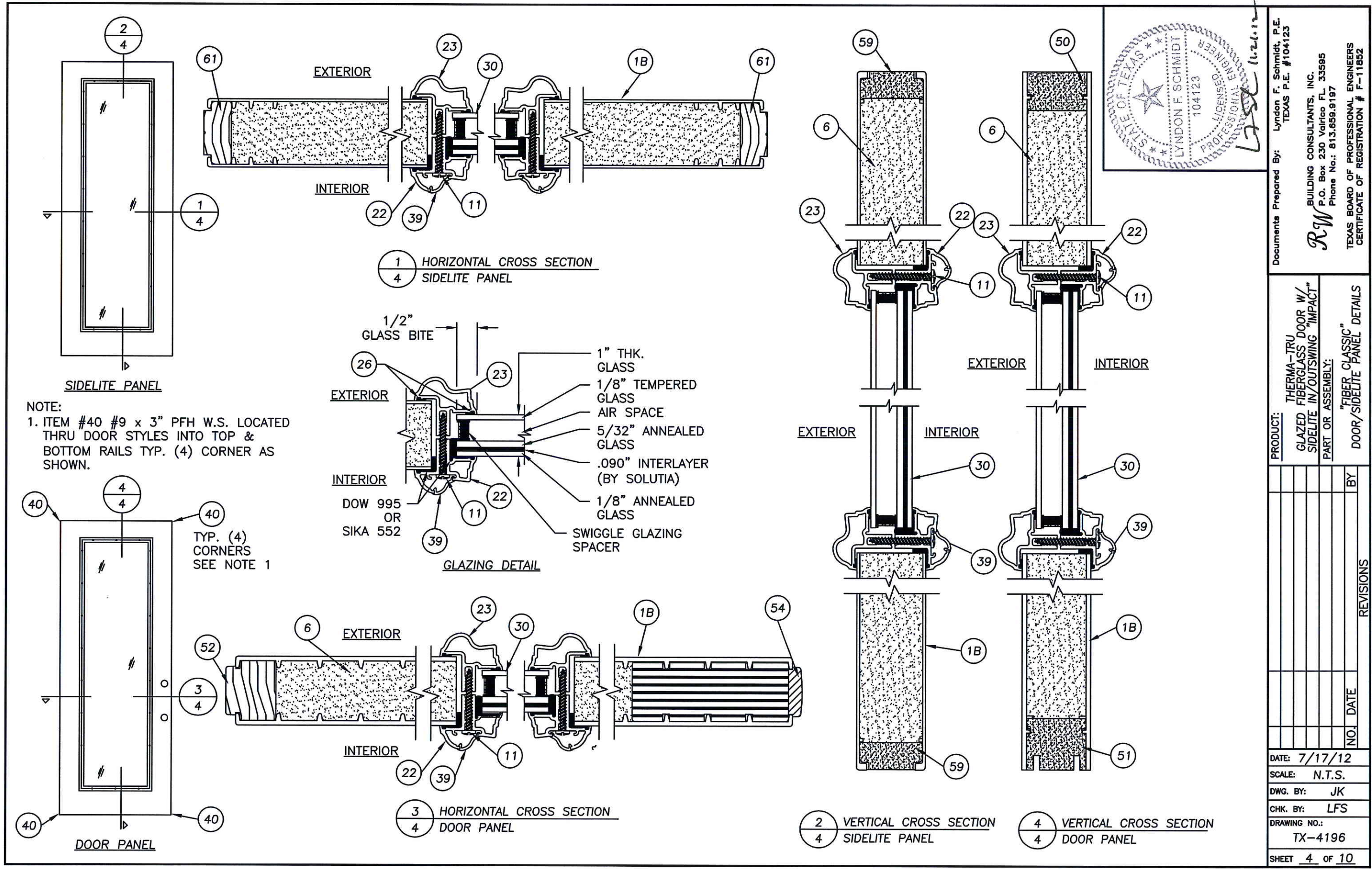
NO.	DATE	BY	REVISIONS

DATE: 7/17/12  
SCALE: N.T.S.  
DWG. BY: JK  
CHK. BY: LFS  
DRAWING NO.: TX-4196  
SHEET 2 OF 10









Documents Prepared By: Lyndon F. Schmidt, P.E.  
TEXAS P.E. #104123

**RW** BUILDING CONSULTANTS, INC.  
P.O. Box 230 Valrico FL 33595  
Phone No.: 813.659.9197

TEXAS BOARD OF PROFESSIONAL ENGINEERS  
CERTIFICATE OF REGISTRATION # F-11852

PRODUCT: THERMA-TRU DOOR W/  
GLAZED FIBERGLASS DOOR W/  
SIDELITE IN/OUTSWING "IMPACT"  
PART OR ASSEMBLY:  
"FIBER CLASSIC"  
DOOR/SIDELITE PANEL DETAILS

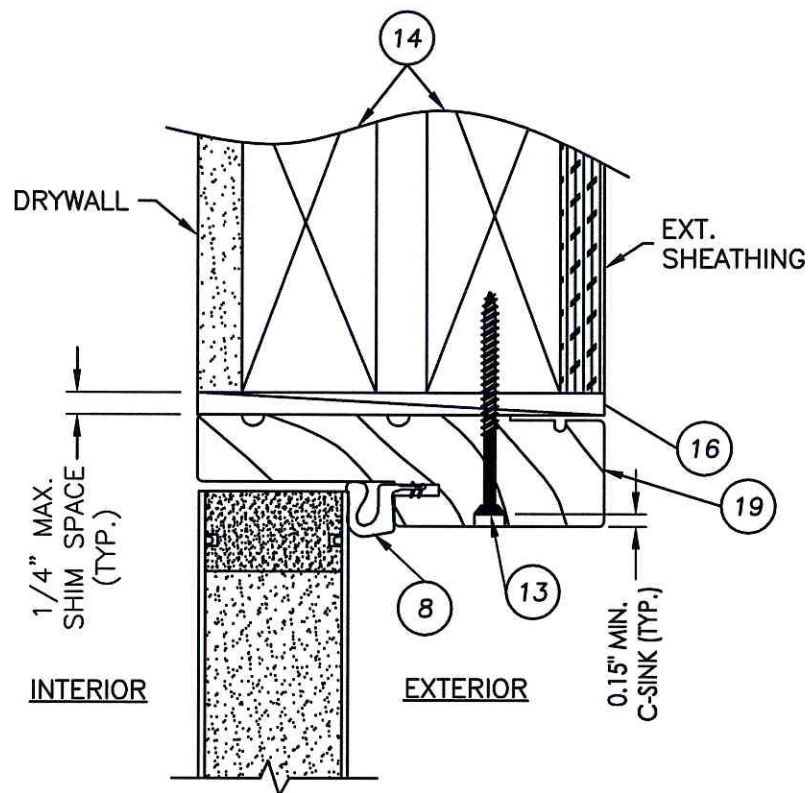
NO.	DATE	BY	REVISIONS

DATE: 7/17/12  
SCALE: N.T.S.  
DWG. BY: JK  
CHK. BY: LFS  
DRAWING NO.: TX-4196  
SHEET 4 OF 10

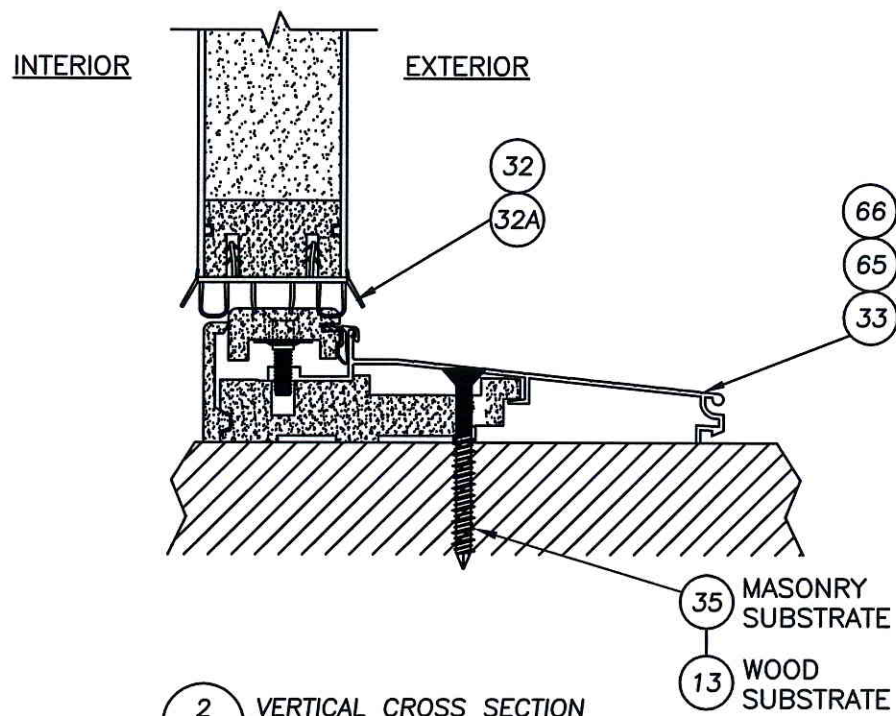




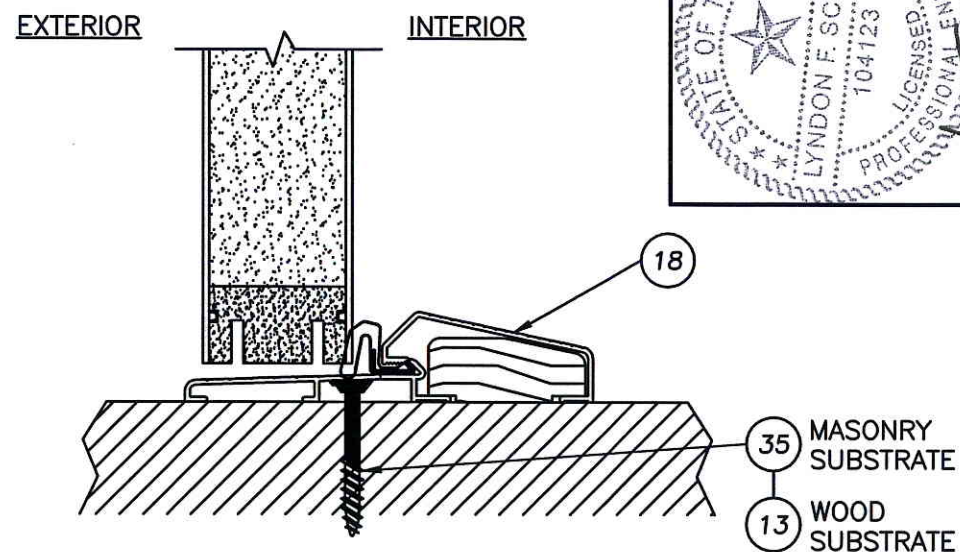




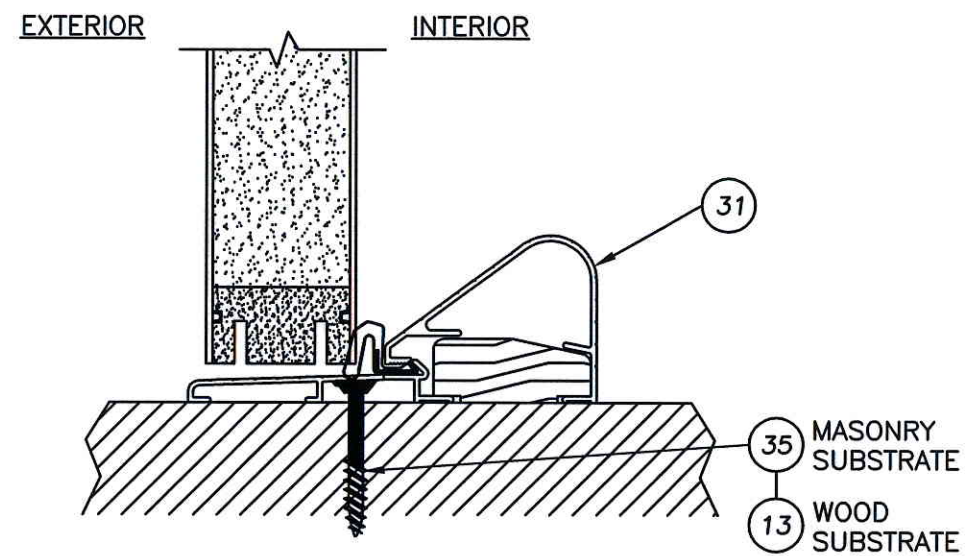
1 VERTICAL CROSS SECTION  
6 INSWING SHOWN (OUTSWING ALSO APPROVED)  
("SMOOTH STAR SERIES" SHOWN)



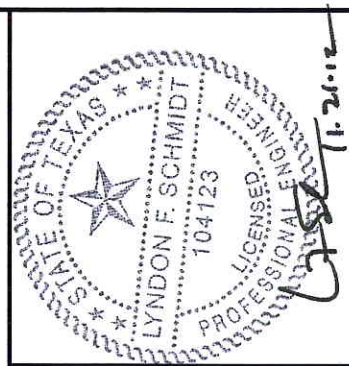
2 VERTICAL CROSS SECTION  
6 INSWING CONFIGURATION  
("SMOOTH STAR SERIES" SHOWN)



3 VERTICAL CROSS SECTION  
6 OUTSWING CONFIGURATION  
("SMOOTH STAR SERIES" SHOWN)



4 VERTICAL CROSS SECTION  
6 OUTSWING CONFIGURATION  
("SMOOTH STAR SERIES" SHOWN)



Documents Prepared By: Lyndon F. Schmidt, P.E.  
TEXAS P.E. #104123

**RW** BUILDING CONSULTANTS, INC.  
P.O. Box 230 Valrico FL 33595  
Phone No.: 813.659.9197

TEXAS BOARD OF PROFESSIONAL ENGINEERS  
CERTIFICATE OF REGISTRATION # F-11852

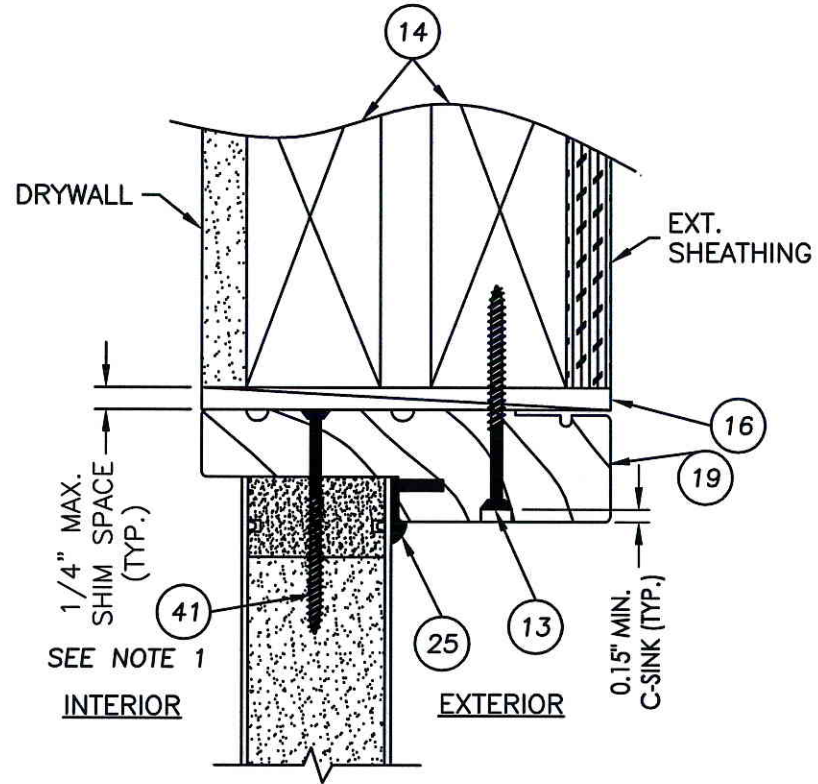
PRODUCT: THERMA-TRU  
GLAZED FIBERGLASS DOOR W/  
SIDELITE IN/OUTSWING "IMPACT"

PART OR ASSEMBLY: VERTICAL  
CROSS SECTIONS

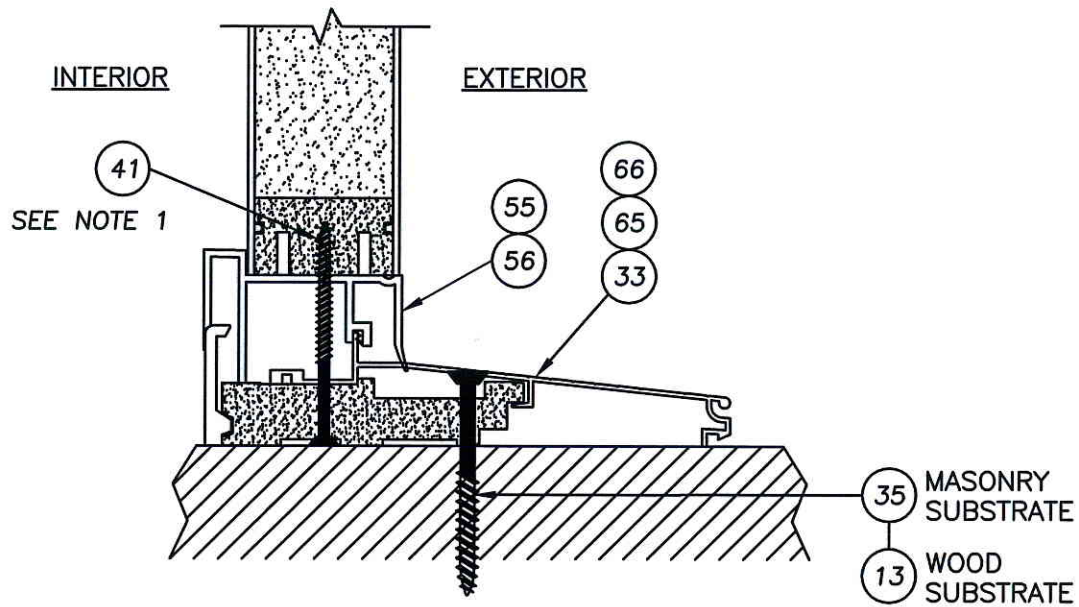
NO.	DATE	BY

DATE: 7/17/12  
SCALE: N.T.S.  
DWG. BY: JK  
CHK. BY: LFS  
DRAWING NO.: TX-4196  
SHEET 6 OF 10



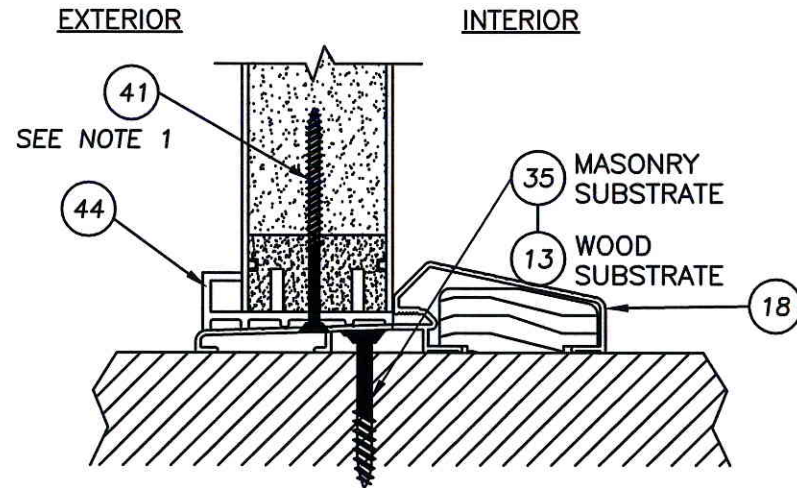


1 VERTICAL CROSS SECTION  
7 INSWING SHOWN (OUTSWING ALSO APPROVED)  
("SMOOTH STAR SERIES" SHOWN)

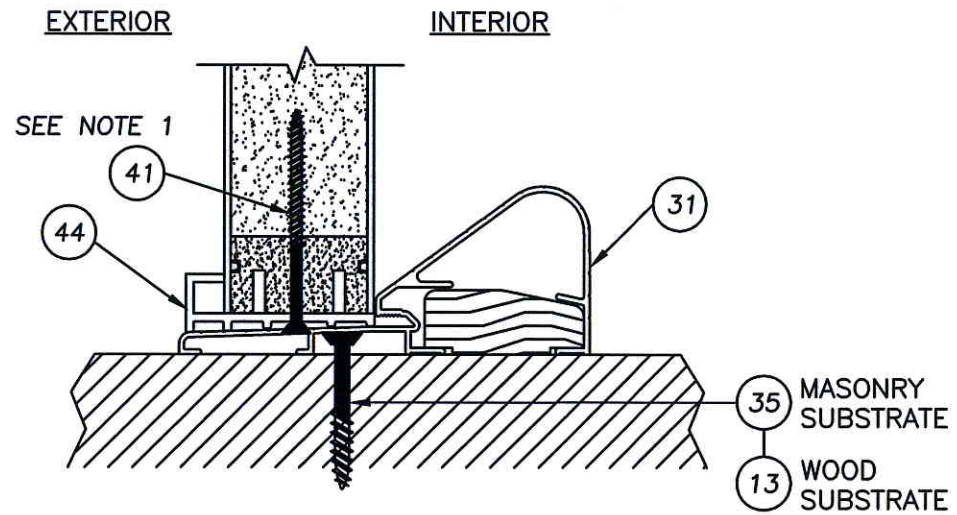


2 VERTICAL CROSS SECTION  
7 INSWING CONFIGURATION  
("SMOOTH STAR SERIES" SHOWN)

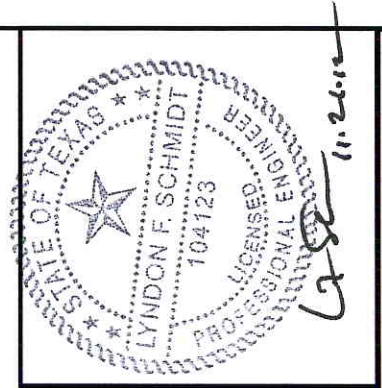
NOTE:  
1. SIDELITE ASSEMBLY FASTENERS LOCATED  
6" FROM ENDS PLUS ONE AT CENTERLINE  
(3 TOTAL).



3 VERTICAL CROSS SECTION  
7 OUTSWING CONFIGURATION  
("SMOOTH STAR SERIES" SHOWN)



4 VERTICAL CROSS SECTION  
7 OUTSWING CONFIGURATION  
("SMOOTH STAR SERIES" SHOWN)



Documents Prepared By: Lyndon F. Schmidt, P.E.  
TEXAS P.E. #104123

**RW** BUILDING CONSULTANTS, INC.  
P.O. Box 230 Valrico FL 33595  
Phone No.: 813.659.9197

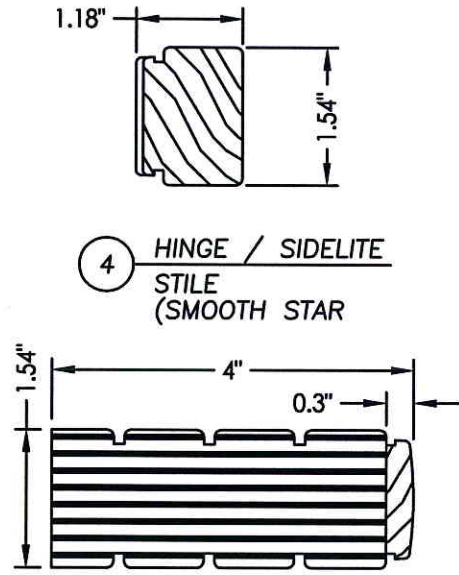
TEXAS BOARD OF PROFESSIONAL ENGINEERS  
CERTIFICATE OF REGISTRATION # F-11852

PRODUCT:	THERMA-TRU GLAZED FIBERGLASS DBL DOOR W/ SIDELITE IN/OUTSWING "IMPACT" PART OR ASSEMBLY:	VERTICAL CROSS SECTIONS
NO.	DATE	BY
		REVISIONS
DATE:	7/17/12	
SCALE:	N.T.S.	
DWG. BY:	JK	
CHK. BY:	LFS	
DRAWING NO.:	TX-4196	
SHEET	7	of 10

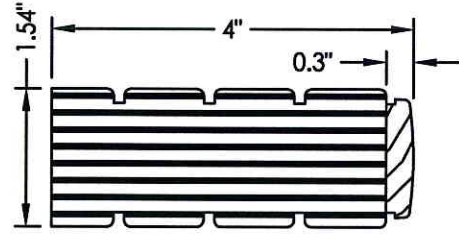




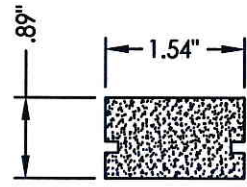




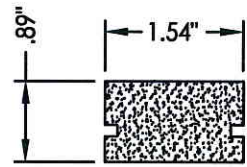
4 HINGE / SIDELITE STILE (SMOOTH STAR)



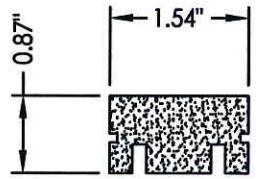
3 LATCH STILE (SMOOTH STAR)



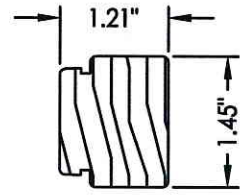
42 SIDELITE TOP RAIL (SMOOTH STAR)



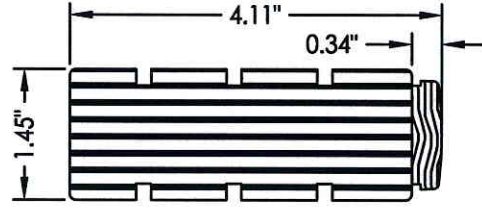
2 DOOR TOP RAIL (SMOOTH STAR)



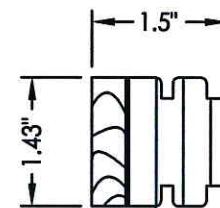
5 BOTTOM RAIL DOOR / SIDELITE (SMOOTH STAR)



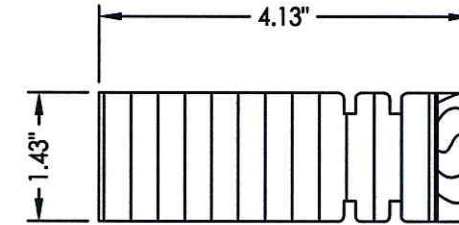
52 HINGE STILE (FIBER CLASSIC)



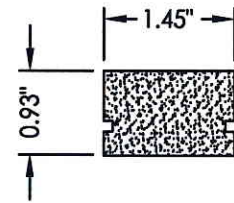
54 LOCK STILE (FIBER CLASSIC)



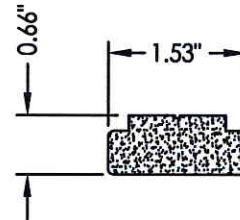
49 HINGE STILE (CLASSIC CRAFT & RUSTIC)



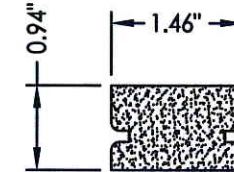
48 LATCH STILE (CLASSIC CRAFT & RUSTIC)



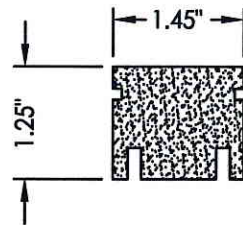
50 DOOR TOP RAIL (FIBER CLASSIC)



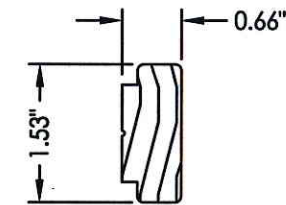
59 SIDELITE TOP & BOTTOM RAIL (CLASSIC CRAFT & RUSTIC) (FIBER CLASSIC)



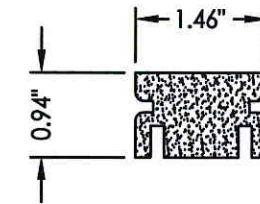
46 DOOR TOP RAIL (CLASSIC CRAFT & RUSTIC)



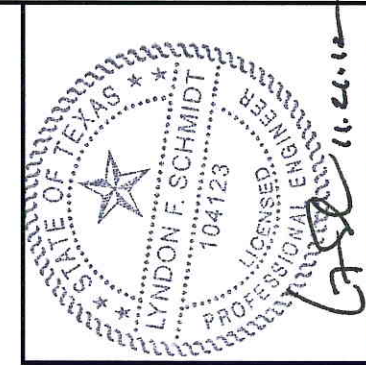
51 DOOR BOTTOM RAIL (FIBER CLASSIC)



61 SIDELITE STILE (CLASSIC CRAFT & RUSTIC) (FIBER CLASSIC)



47 DOOR BOTTOM RAIL (CLASSIC CRAFT & RUSTIC)



Documents Prepared By: Lyndon F. Schmidt, P.E.  
TEXAS P.E. #104123

RW BUILDING CONSULTANTS, INC.  
P.O. Box 230 Valrico FL 33595  
Phone No.: 813.659.9197

TEXAS BOARD OF PROFESSIONAL ENGINEERS  
CERTIFICATE OF REGISTRATION # F-11852

PRODUCT: THERMA-TRU GLAZED FIBERGLASS DOOR W/ SIDELITE IN/OUTSWING "IMPACT"  
PART OR ASSEMBLY: COMPONENTS

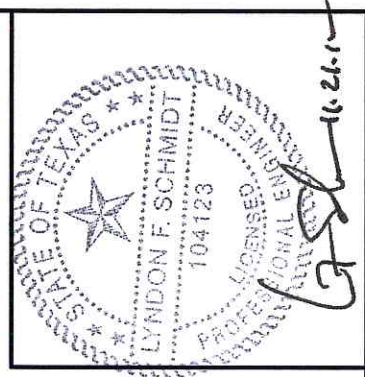
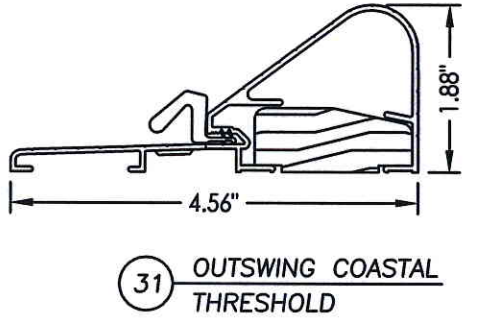
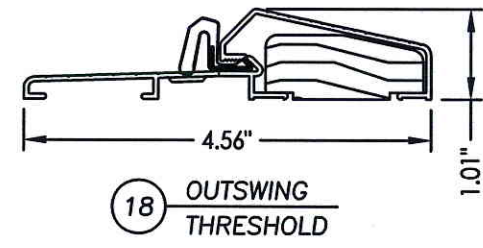
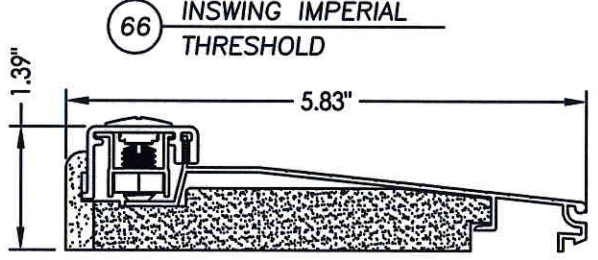
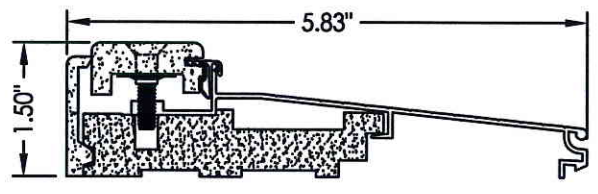
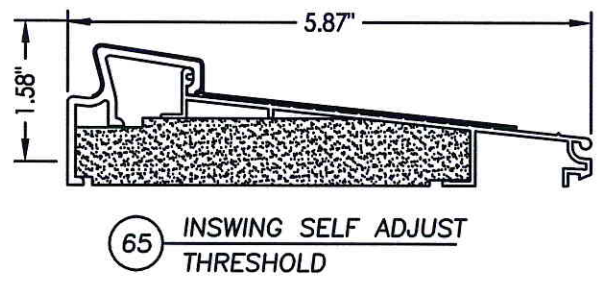
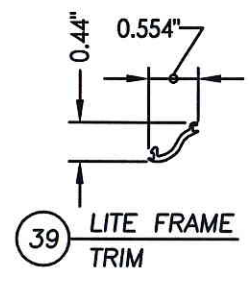
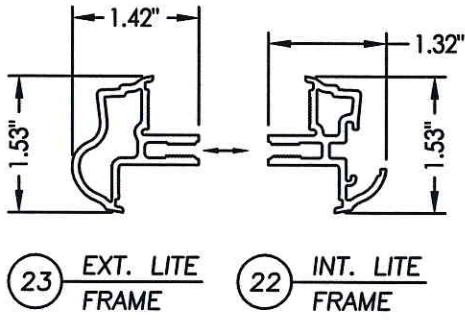
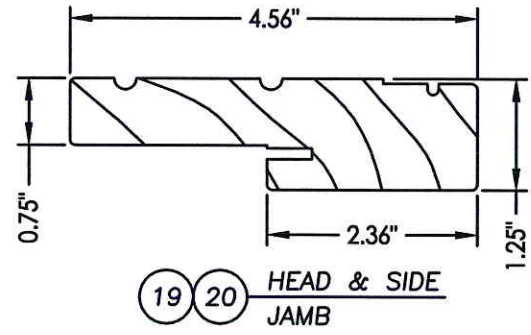
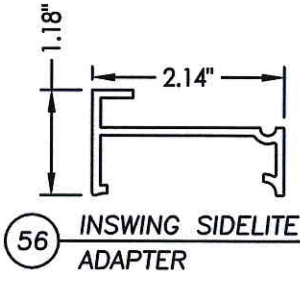
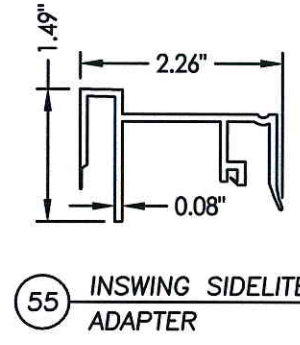
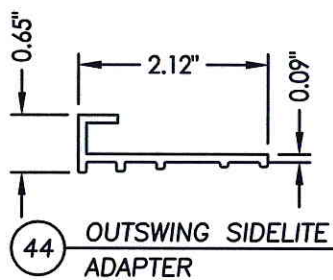
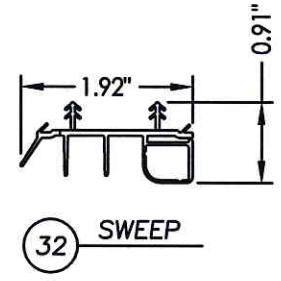
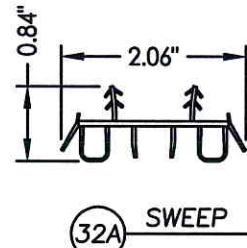
NO.	DATE	BY

DATE: 7/17/12  
SCALE: N.T.S.  
DWG. BY: JK  
CHK. BY: LFS  
DRAWING NO.: TX-4196  
SHEET 9 OF 10



R:\A - Projects\Project Folders\Proj 1101 - 1200\p1106\10.D. RWBC Drawings\TX-2012\TX-4195-99.dwg, 10.6

Item	DESCRIPTION	Material
1	DOOR SKIN; SMOOTH STAR SERIES (.075" MIN.)	FIBERGLASS
1A	DOOR SKIN; CLASSIC CRAFT & RUSTIC SERIES (.090" MIN.)	FIBERGLASS
1B	DOOR SKIN; FIBER CLASSIC SERIES (.065" MIN.)	FIBERGLASS
2	TOP RAIL DOOR THERMA-TRU (SMOOTH STAR)	COMP.
3	LATCH STILE DOOR THERMA-TRU (SMOOTH STAR)	LVL
4	HINGE STILE / DOOR, STILE / SIDELITE THERMA-TRU (SMOOTH STAR)	WOOD
5	BOTTOM RAIL DOOR THERMA-TRU (SMOOTH STAR)	COMP.
6	POLYURETHANE FOAM (1.9lbs. DENSITY)	FOAM
7	MEDIUM REACH COMPRESSION WEATHER-STRIP (THERMA-TRU)	FOAM
8	LONG REACH COMPRESSION WEATHER-STRIP (THERMA-TRU)	FOAM
9	4" x 4" HINGE .097" THK. (THERMA-TRU)	STEEL
10	#10 x 3/4" PFH WOOD SCREW (Hinge to Frame)	STEEL
12	#10 x 2" PFH WOOD SCREW	STEEL
13	#10 x 2-1/2" PFH WOOD SCREW	STEEL
14	2X FRAMING (G >= 0.42)	WOOD
16	MAX. 1/4" SHIM MATERIAL	WOOD
17	LOCK - KWIKSET 200 SERIES	STEEL
18	THRESHOLD OUTSWING (THERMA-TRU)	ALUM./WOOD
19	HEADER JAMB (4.656" x 1.25" THERMA-TRU, PINE)	WOOD
20	SIDE JAMB (4.656" x 1.25" THERMA-TRU) (FJ PINE)	WOOD
21	DEADBOLT - KWIKSET 780 SERIES	STEEL
22	INTERIOR LITE FRAME	ALUM.
23	EXTERIOR LITE FRAME	ALUM.
24	LOCK BLOCK (SMOOTH STAR)	WOOD
25	SILICONE CAULK	SILICONE
26	CELLULAR GLAZING TAPE	FOAM
27	LATCH STRIKE	STEEL
28	#8 x 2-1/2" PFH WOOD SCREW	STEEL
29	#8 x 3" PFH SCREW	STEEL
30	1" THK. INSUL. LAMINATED GLASS (INTERLAYER BY SOLUTIA) 1/8" TEMP.- AIR - 5/32" ANN. / .090" INTERLAYER / 1/8" ANN.	GLASS
31	OUTSWING THRESHOLD COASTAL	ALUM./WOOD
32	DOOR BOTTOM SWEEP (INSWING)	PVC
32A	DOOR BOTTOM SWEEP (INSWING)	PVC
33	INSWING THRESHOLD HPA	ALUM./COMP.
35	1/4" ELCO OR ITW CONCRETE SCREW (1-3/4" MIN. EMB.)	STEEL
39	LITE FRAME TRIM	PVC
40	#9 x 3" PFH WOOD SCREW	STEEL
41	#9 x 2-1/2" PFH SCREW	STEEL
44	OUTSWING SIDELITE ADAPTER	PVC
46	TOP RAIL (CLASSIC CRAFT & RUSTIC)	COMP.
47	BOTTOM RAIL (CLASSIC CRAFT & RUSTIC)	COMP.
48	LATCH SIDE STILE (CLASSIC CRAFT & RUSTIC)	LSL / OAK
49	HINGE SIDE STILE (CLASSIC CRAFT & RUSTIC)	LSL / OAK
50	TOP RAIL (FIBER CLASSIC)	COMP.
51	BOTTOM RAIL (FIBER CLASSIC)	COMP.
52	HINGE SIDE STILE (FIBER CLASSIC)	WOOD
54	LATCH SIDE STILE (FIBER CLASSIC)	LVL / OAK
55	INSWING SIDELITE SPACER	PVC
56	INSWING SIDELITE SPACER	PVC
59	SIDELITE TOP & BOTTOM RAIL (CLASSIC CRAFT, RUSTIC & FIBER CLASSIC)	COMP.
61	SIDELITE STILE (CLASSIC CRAFT, RUSTIC & FIBER CLASSIC)	WOOD
65	INSWING THRESHOLD SELF ADJUSTING	ALUM./COMP.
66	INSWING THRESHOLD IMPERIAL	ALUM./COMP.
67	DEAD BOLT STRIKE PLATE	STEEL
69	2X MULLION (G >= 0.42)	WOOD



Documents Prepared By: Lyndon F. Schmidt, P.E.  
TEXAS P.E. #104123

**RW** BUILDING CONSULTANTS, INC.  
P.O. Box 230 Valrico FL 33595  
Phone No.: 813.659.9197

TEXAS BOARD OF PROFESSIONAL ENGINEERS  
CERTIFICATE OF REGISTRATION # F-11852

PRODUCT: THERMA-TRU  
GLAZED FIBERGLASS DOOR WITH  
SIDELITE IN/OUTSWING "IMPACT"

PART OR ASSEMBLY:  
BILL OF MATERIAL &  
COMPONENTS

NO.	DATE	BY	REVISIONS

DATE: 7/17/12  
SCALE: N.T.S.  
DWG. BY: JK  
CHK. BY: LFS  
DRAWING NO.: TX-4196  
SHEET 10 OF 10