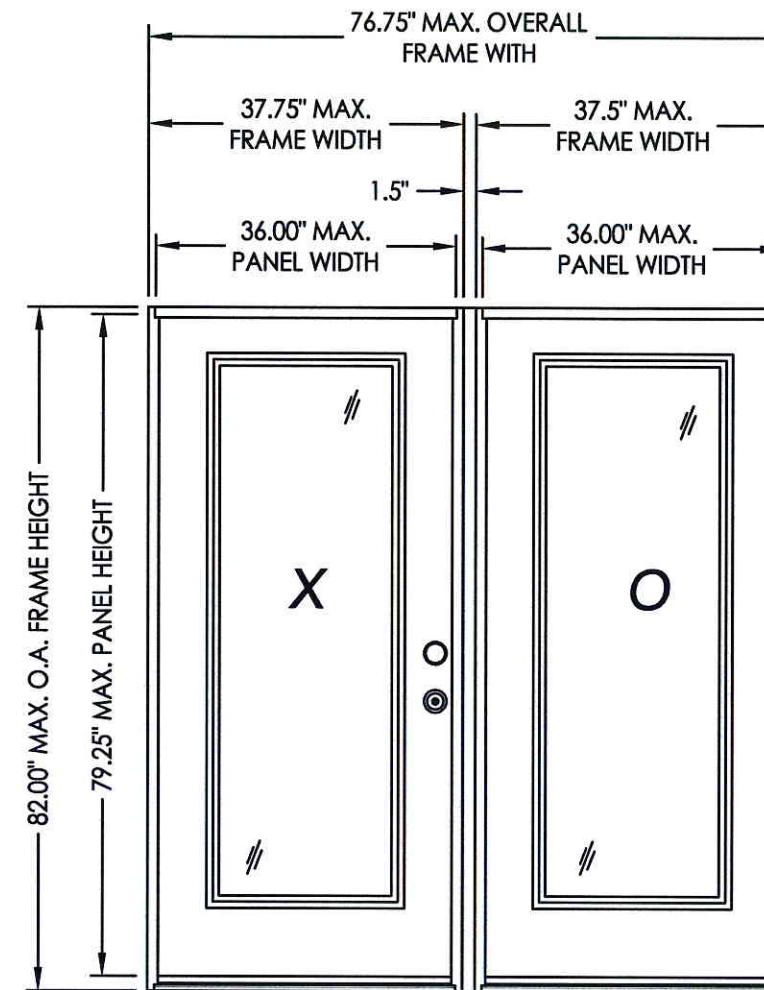


# THERMA TRU®

118 INDUSTRIAL DR., EDGERTON, OH 43517  
TEL. (419)298-1740

## "SMOOTH STAR", "FIBER CLASSIC", "CLASSIC CRAFT" & "CLASSIC CRAFT RUSTIC" GLAZED FIBERGLASS DOOR W/SIDELITE IN SWING / OUT SWING "IMPACT"



"SMOOTH STAR", "FIBER CLASSIC"  
"CLASSIC CRAFT" & "CLASSIC CRAFT RUSTIC"

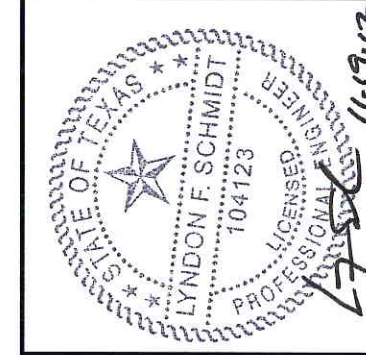
### EVALUATED FOR USE IN THE STATE OF TEXAS

The Fiberglass Glazed Door described herein complies with the 2006 International Residential Code (IRC), Sections R301 & R613 and the 2006 International Building Code (IBC), Sections 1405.12, 1609, 1714.5, 2403 and 2404 (including Texas revisions) subject to the following conditions:

1. Anchors shall be as listed and spaced as shown in the details. Anchor embedment to base material shall be beyond wall dressing or stucco.
2. This system has been tested and evaluated as a large missile impact protective system for installation in the Seaward, Inland I and Inland II areas. This product meets missile level "D" as defined in ASTM E 1996.
3. Allowable design pressure requirements must be equal to or less than the design pressure rating shown in the design pressure chart, sheet 1 of this drawing.
4. Conditions not covered by this drawing are subject to further engineering analysis.

TABLE OF CONTENTS	
SHEET #	DESCRIPTION
1	TYPICAL ELEVATIONS, DESIGN PRESSURES & GENERAL NOTES
2	"SMOOTH STAR" DOOR/SIDELITE PANEL DETAILS
3	"CLASSIC CRAFT" & "CLASSIC CRAFT RUSTIC" DOOR/SIDELITE PANEL DETAILS
4	"FIBER CLASSIC" DOOR/SIDELITE PANEL DETAILS
5	HORIZONTAL CROSS SECTIONS
6	VERTICAL CROSS SECTIONS
7	VERTICAL CROSS SECTIONS
8	FRAME ANCHORING
9	BILL OF MATERIALS & COMPONENTS

SWING	OVERALL FRAME DIMENSION	OVERALL D.L.O. DOOR / SIDELITE DIMENSION	DESIGN PRESSURE (PSF)	
			POSITIVE	NEGATIVE
IN SWING	76.75" X 82.00"	21.00" X 63.25"	+47.0	-53.0
OUT SWING	76.75" X 80.62"	21.00" X 63.25"	+50.0	-50.0



Documents Prepared By: Lyndon F. Schmidt, P.E.  
TEXAS P.E. #104123

RW BUILDING CONSULTANTS, INC.  
P.O. Box 230 Valrico FL 33595  
Phone No.: 813.659.9197

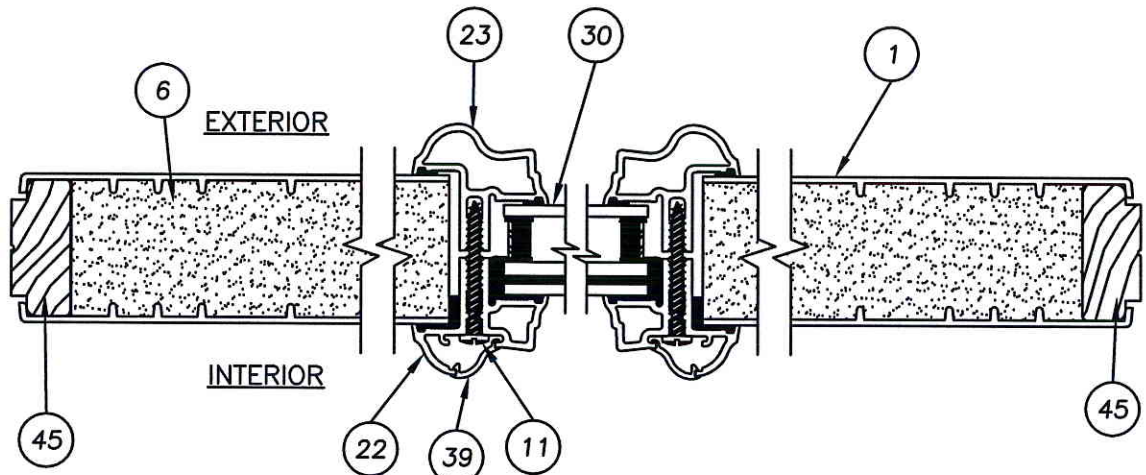
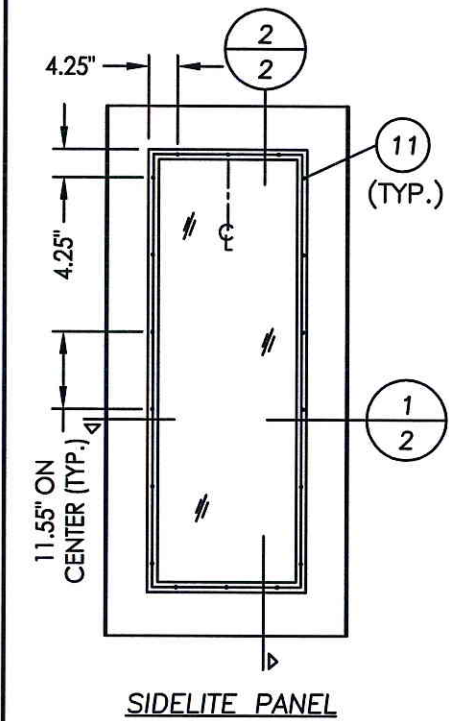
TEXAS BOARD OF PROFESSIONAL ENGINEERS  
CERTIFICATE OF REGISTRATION # F-11852

PRODUCT: THERMA-TRU  
GLAZED FIBERGLASS DOOR W/  
SIDELITE IN/OUTSWING "IMPACT"  
PART OR ASSEMBLY:  
TYPICAL ELEVATIONS, DESIGN  
PRESSURES & GENERAL NOTES

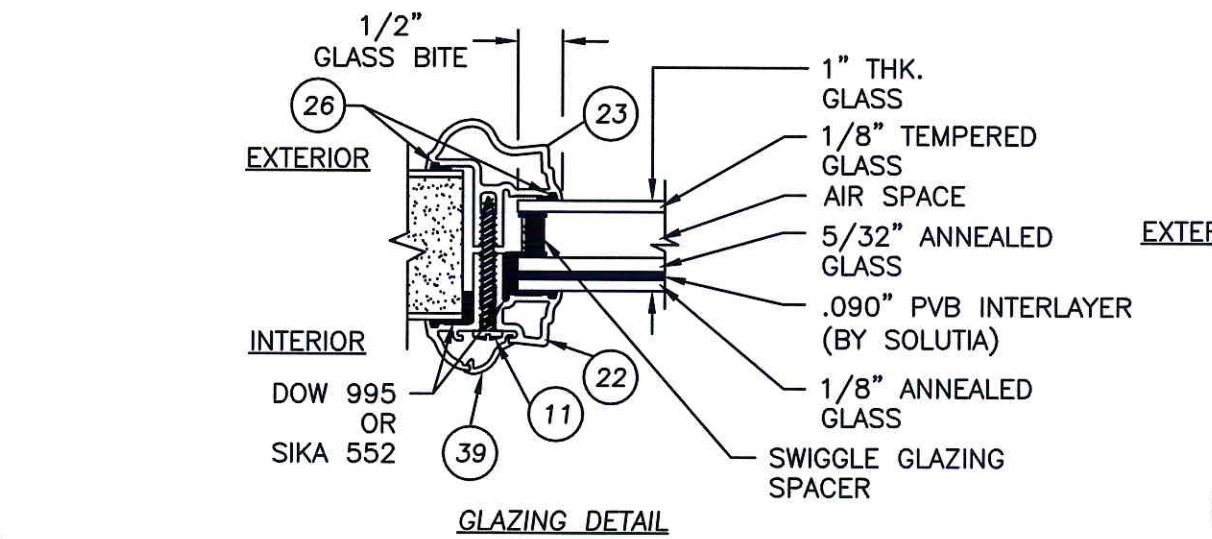
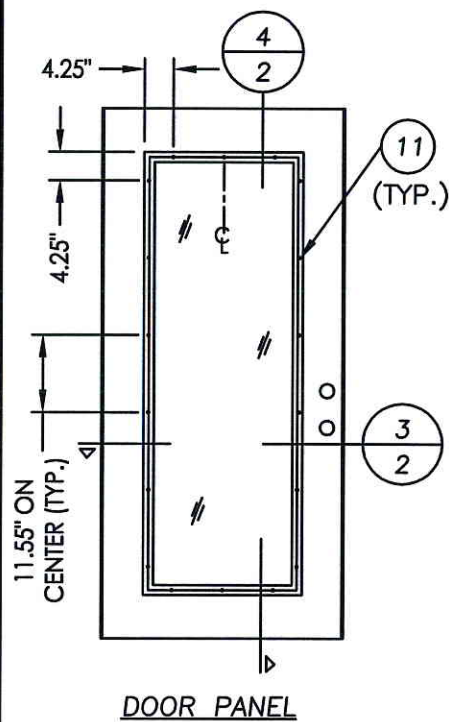
NO.	DATE	BY	REVISIONS

DATE: 7/17/12  
SCALE: N.T.S.  
DWG. BY: JK  
CHK. BY: LFS  
DRAWING NO.:  
TX-4191  
SHEET 1 OF 9

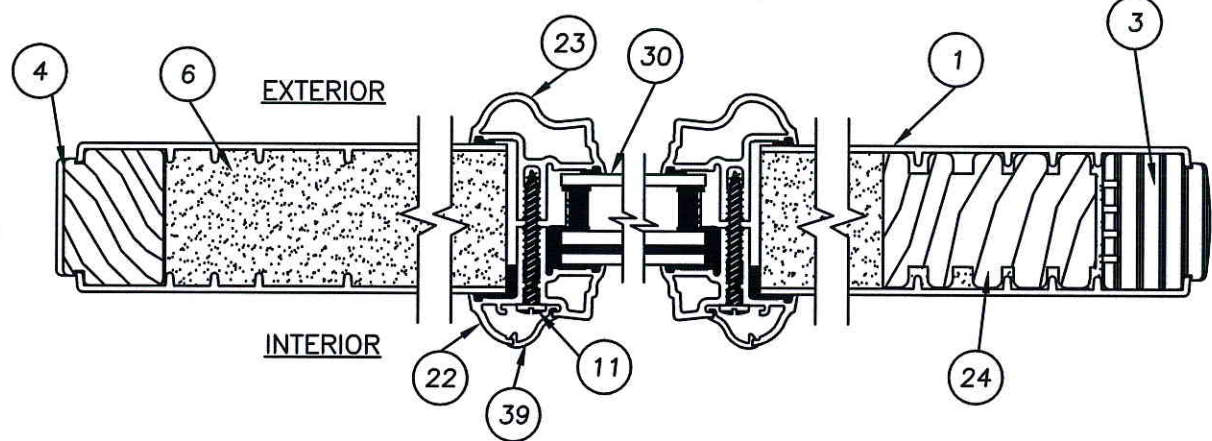




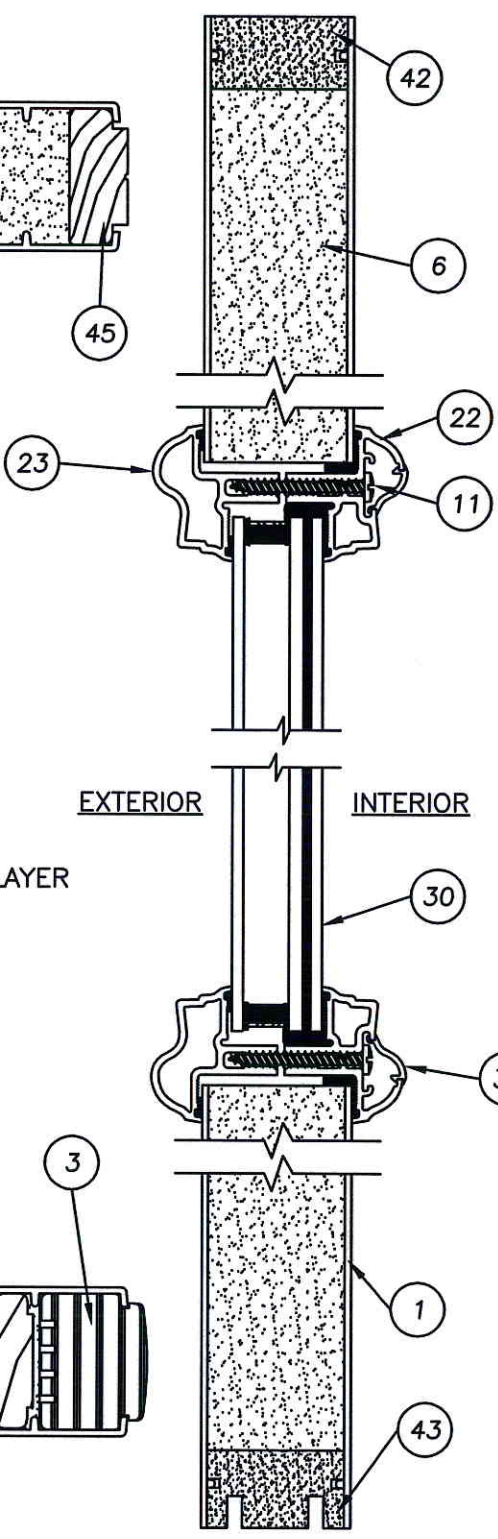
1 HORIZONTAL CROSS SECTION  
2 SIDELITE PANEL



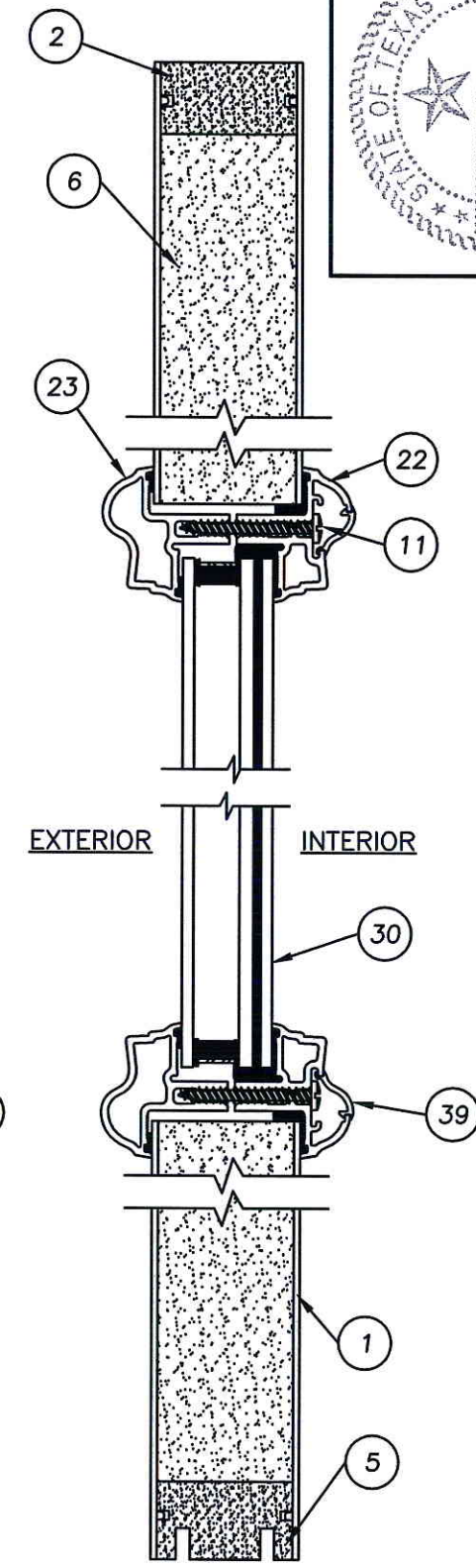
GLAZING DETAIL



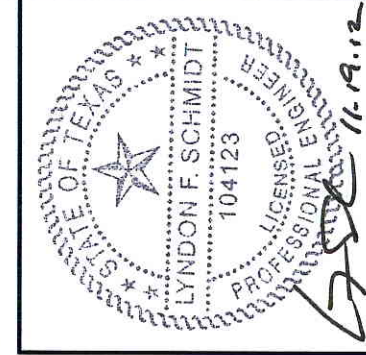
3 HORIZONTAL CROSS SECTION  
2 DOOR PANEL



2 VERTICAL CROSS SECTION  
2 SIDELITE PANEL



4 VERTICAL CROSS SECTION  
2 DOOR PANEL



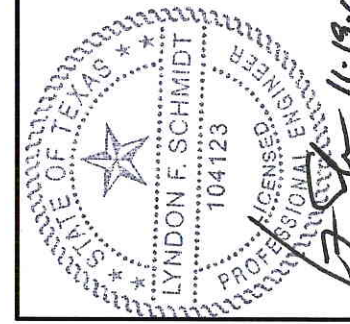
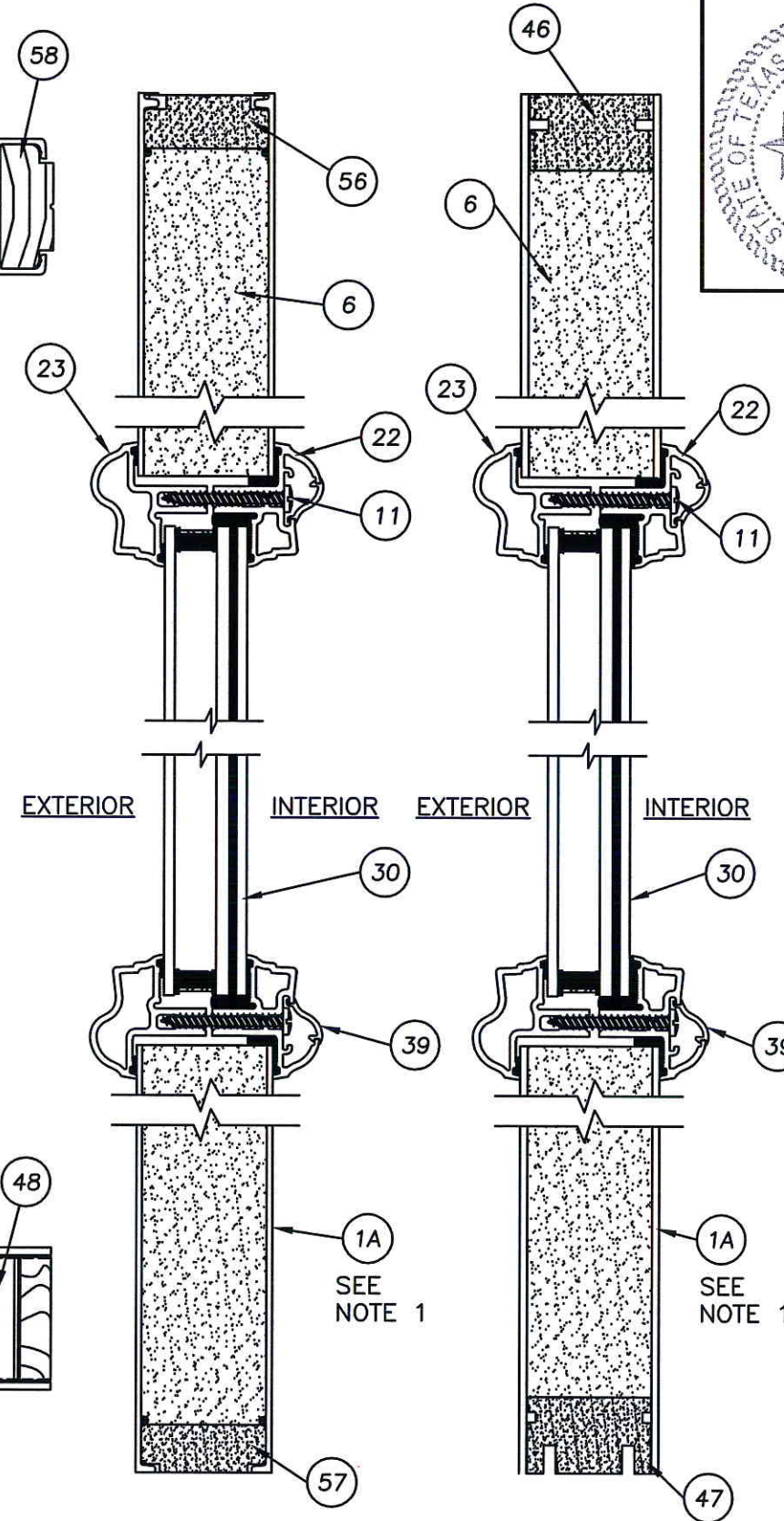
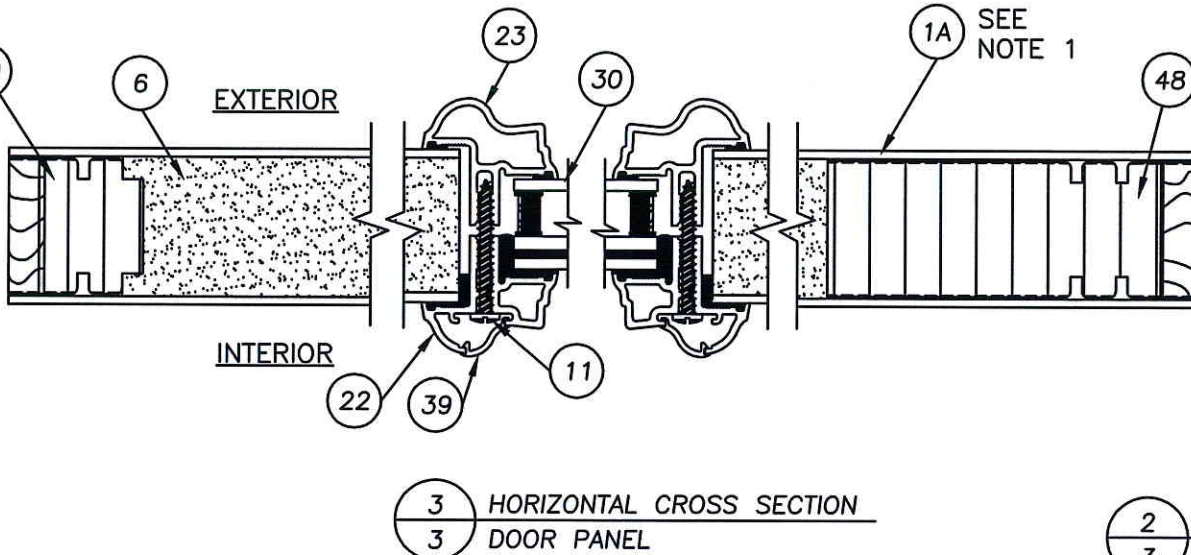
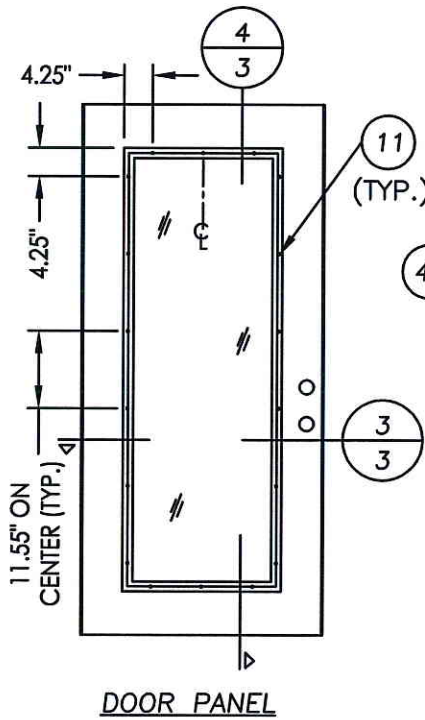
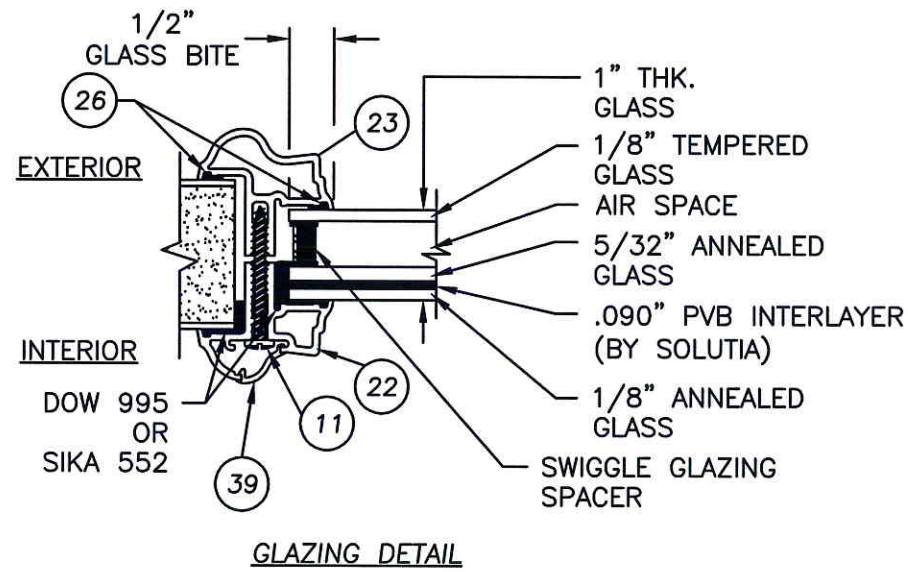
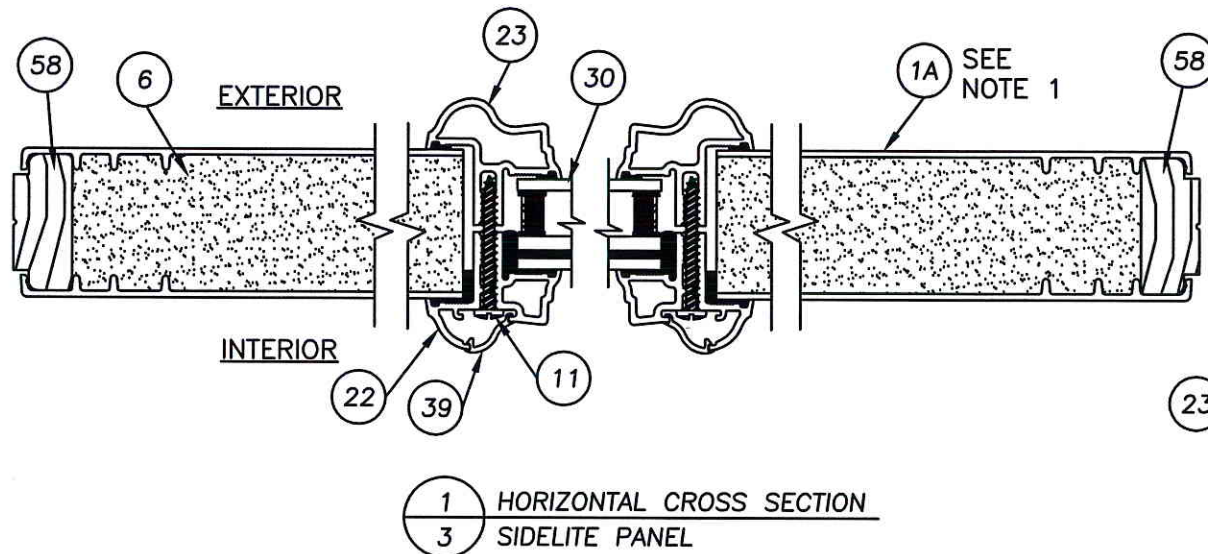
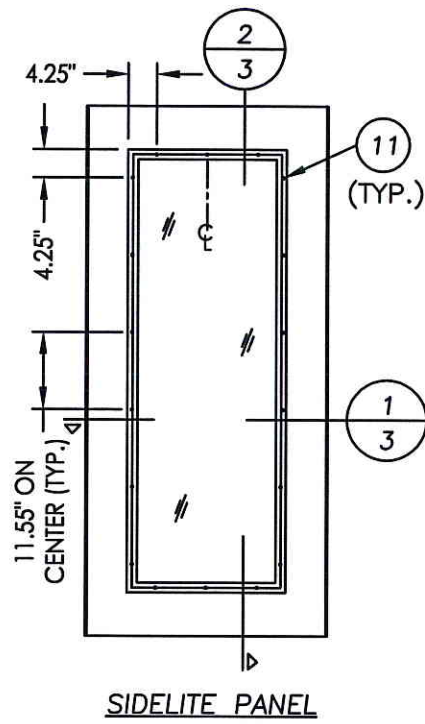
Documents Prepared By: Lyndon F. Schmidt, P.E.  
TEXAS P.E. #104123  
**RW** BUILDING CONSULTANTS, INC.  
P.O. Box 230 Valrico FL 33595  
Phone No.: 813.659.9197  
TEXAS BOARD OF PROFESSIONAL ENGINEERS  
CERTIFICATE OF REGISTRATION # F-11852

PRODUCT: THERMA-TRU DOOR W/  
GLAZED FIBERGLASS "IMPACT"  
SIDELITE IN/OUTSWING  
PART OR ASSEMBLY:  
"SMOOTH STAR"  
DOOR/SIDELITE PANEL DETAILS

NO.	DATE	REVISIONS	BY

DATE: 7/17/12  
SCALE: N.T.S.  
DWG. BY: JK  
CHK. BY: LFS  
DRAWING NO.: TX-4191  
SHEET 2 OF 9





Documents Prepared By: Lyndon F. Schmidt, P.E.  
TEXAS P.E. #104123

RW BUILDING CONSULTANTS, INC.  
P.O. Box 230 Valrico FL 33595  
Phone No.: 813.659.9197

TEXAS BOARD OF PROFESSIONAL ENGINEERS  
CERTIFICATE OF REGISTRATION # F-11852

PRODUCT: THERMA-TRU GLAZED FIBERGLASS DOOR W/ SIDELITE IN/OUTSWING "IMPACT"

PART OR ASSEMBLY: "CLASSIC CRAFT" & "CC RUSTIC" DOOR/SIDELITE PANEL DETAILS

NO.	DATE	BY	REVISIONS

DATE: 7/17/12  
SCALE: N.T.S.  
DWG. BY: JK  
CHK. BY: LFS  
DRAWING NO.: TX-4191  
SHEET 3 OF 9

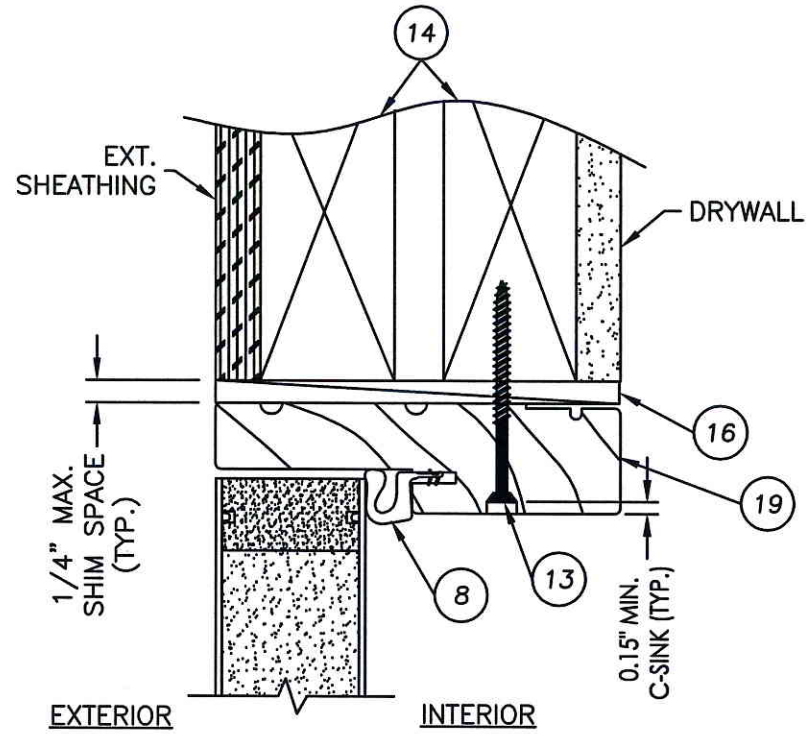




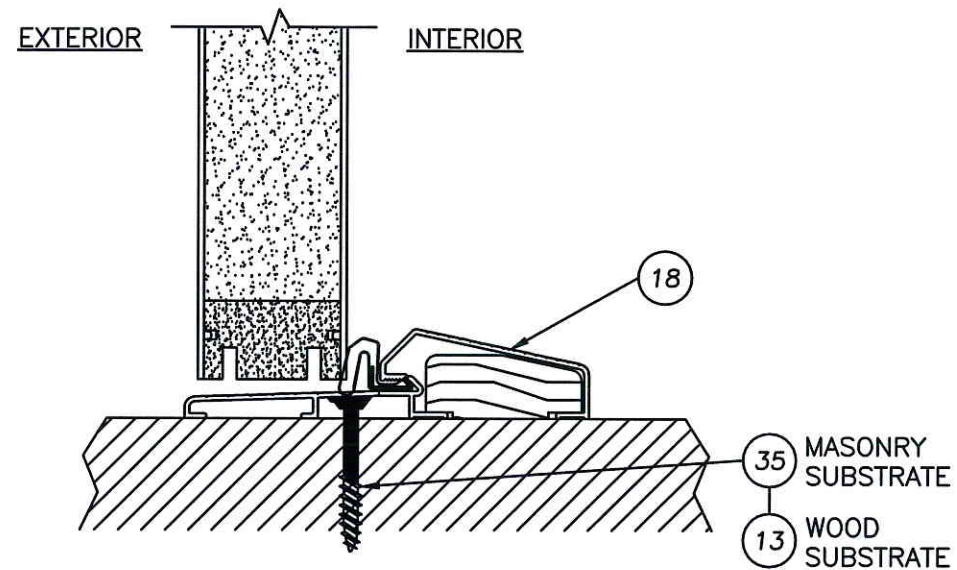




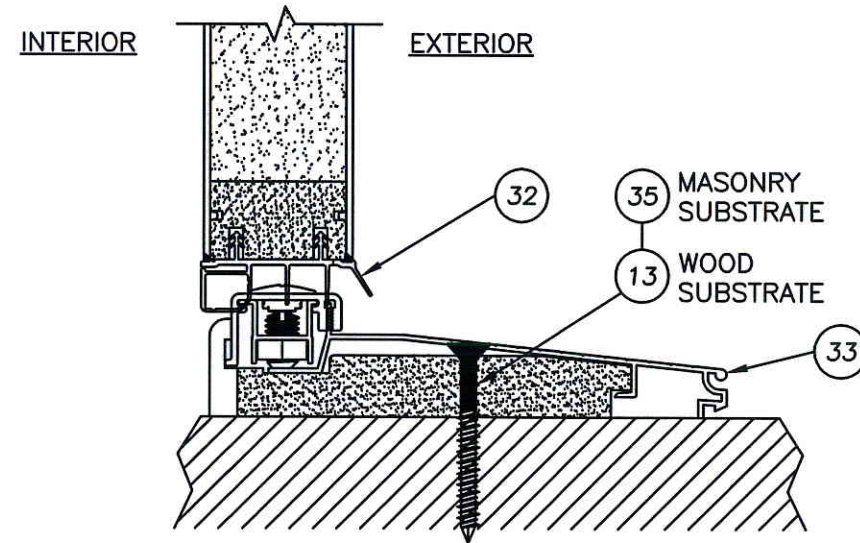




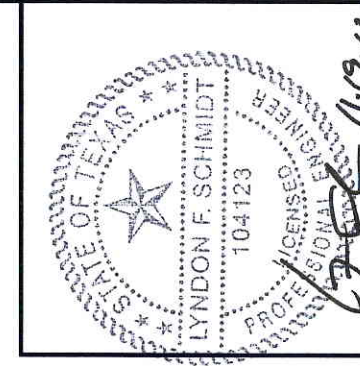
1 VERTICAL CROSS SECTION  
 6 OUTSWING SHOWN (INSWING ALSO APPROVED)  
 ("SMOOTH STAR SERIES" SHOWN)



2 VERTICAL CROSS SECTION  
 6 OUTSWING CONFIGURATION  
 ("SMOOTH STAR SERIES" SHOWN)



3 VERTICAL CROSS SECTION  
 6 INSWING CONFIGURATION  
 ("SMOOTH STAR SERIES" SHOWN)



Documents Prepared By: Lyndon F. Schmidt, P.E.  
 TEXAS P.E. #104123

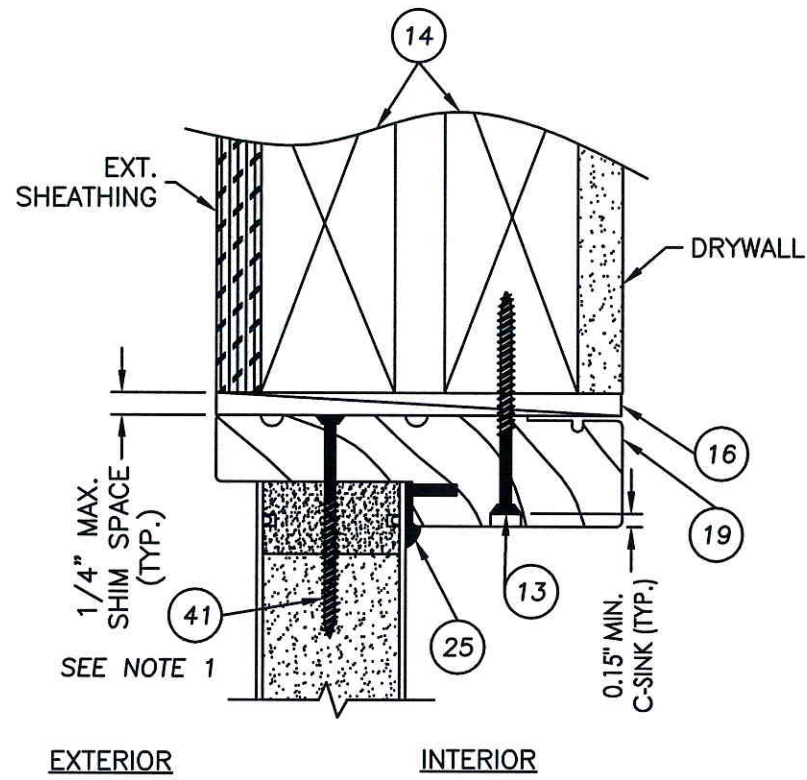
**RW** BUILDING CONSULTANTS, INC.  
 P.O. Box 230 Valrico FL 33595  
 Phone No.: 813.659.9197  
 TEXAS BOARD OF PROFESSIONAL ENGINEERS  
 CERTIFICATE OF REGISTRATION # F-11852

PRODUCT: THERMA-TRU  
 GLAZED FIBERGLASS DOOR W/  
 SIDELITE IN/OUTSWING "IMPACT"  
 PART OR ASSEMBLY:  
 VERTICAL  
 CROSS SECTIONS

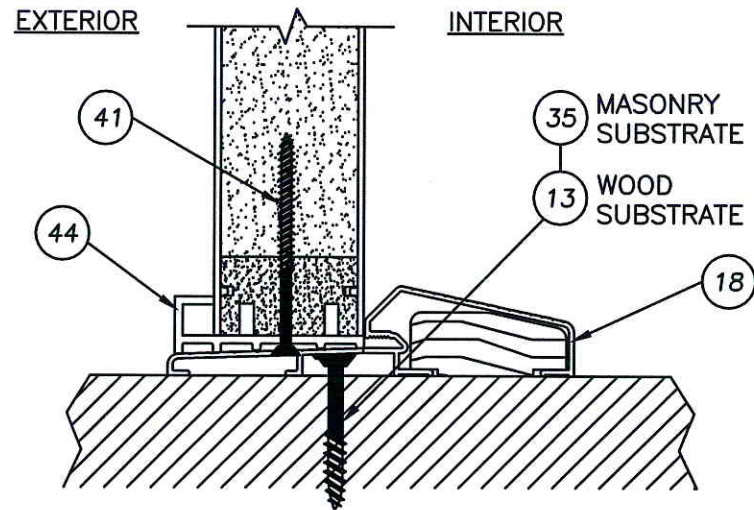
NO.	DATE	BY	REVISIONS

DATE: 7/17/12  
 SCALE: N.T.S.  
 DWG. BY: JK  
 CHK. BY: LFS  
 DRAWING NO.: TX-4191  
 SHEET 6 OF 9

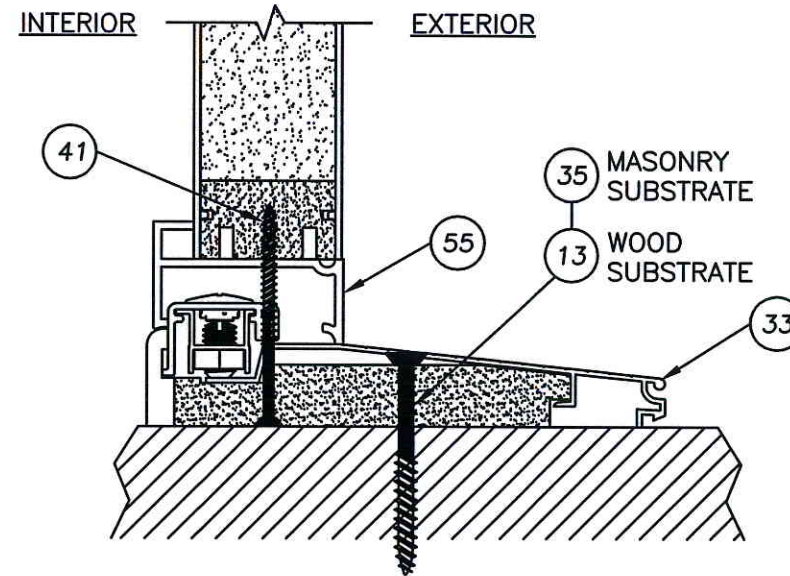




1 VERTICAL CROSS SECTION  
7 OUTSWING SHOWN (INSWING ALSO APPROVED)  
("SMOOTH STAR SERIES" SHOWN)

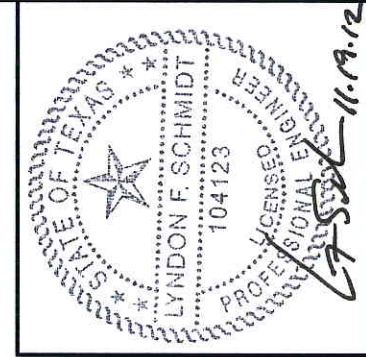


2 VERTICAL CROSS SECTION  
7 OUTSWING CONFIGURATION  
("SMOOTH STAR SERIES" SHOWN)



3 VERTICAL CROSS SECTION  
7 INSWING CONFIGURATION  
("SMOOTH STAR SERIES" SHOWN)

NOTE:  
1. SIDELITE ASSEMBLY FASTENERS LOCATED 6" FROM ENDS PLUS 1 AT CENTERLINE (3 TOTAL).



Documents Prepared By: Lyndon F. Schmidt, P.E.  
TEXAS P.E. #104123

**RW** BUILDING CONSULTANTS, INC.  
P.O. Box 230 Valrico FL 33595  
Phone No.: 813.659.9197

TEXAS BOARD OF PROFESSIONAL ENGINEERS  
CERTIFICATE OF REGISTRATION # F-11852

PRODUCT: THERMA-TRU  
GLAZED FIBERGLASS DOOR W/  
SIDELITE IN/OUTSWING "IMPACT"  
PART OR ASSEMBLY: VERTICAL  
CROSS SECTIONS

NO.	DATE	BY	REVISIONS

DATE: 7/17/12  
SCALE: N.T.S.  
DWG. BY: JK  
CHK. BY: LFS  
DRAWING NO.: TX-4191  
SHEET 7 OF 9







