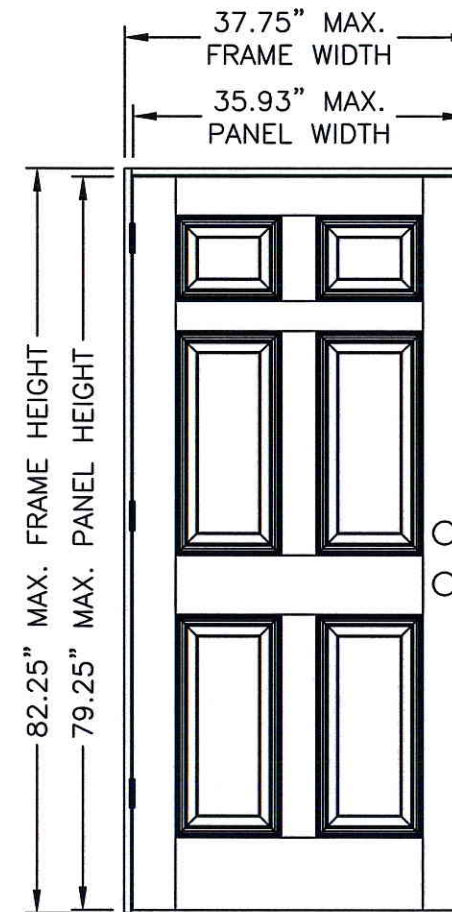


# THERMA TRU®

118 INDUSTRIAL DR., EDGERTON, OH 43517  
TEL. (419)298-1740

## SMOOTH STAR, FIBER CLASSIC, CLASSIC CRAFT & CLASSIC CRAFT RUSTIC SINGLE "IMPACT" DOOR INSWING / OUTSWING



"SMOOTH STAR", "CLASSIC CRAFT", "CLASSIC CRAFT RUSTIC" & "FIBER CLASSIC"

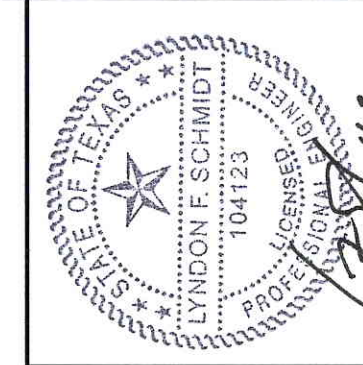
### EVALUATED FOR USE IN THE STATE OF TEXAS

The Fiberglass Glazed Door described herein complies with the 2006 International Residential Code (IRC), Sections R301 & R613 and the 2006 International Building Code (IBC), Sections 1405.12, 1609, 1714.5, 2403 and 2404 (including Texas revisions) subject to the following conditions:

1. Anchors shall be as listed and spaced as shown in the details. Anchor embedment to base material shall be beyond wall dressing or stucco.
2. This system has been tested and evaluated as a large missile impact protective system for installation in the Seaward, Inland I and Inland II areas. This product meets missile level "D" as defined in ASTM E 1996.
3. Allowable design pressure requirements must be equal to or less than the design pressure rating shown in the design pressure chart, sheet 1 of this drawing.
4. Conditions not covered by this drawing are subject to further engineering analysis.

TABLE OF CONTENTS	
SHEET #	DESCRIPTION
1	TYPICAL ELEVATION, DESIGN PRESSURES & GENERAL NOTES
2	DOOR PANEL DETAILS (SMOOTH STAR)
3	DOOR PANEL DETAILS (CLASSIC CRAFT)
4	DOOR PANEL DETAILS (CLASSIC CRAFT RUSTIC)
5	DOOR PANEL DETAILS (FIBER CLASSIC)
6	HORIZONTAL CROSS SECTIONS
7	VERTICAL CROSS SECTIONS
8	FRAME ANCHORING
9	BILL OF MATERIALS & COMPONENTS

DOOR TYPE	SWING	OVERALL FRAME DIMENSION	DESIGN PRESSURE	
			POSITIVE	NEGATIVE
CLASSIC CRAFT	OUTSWING	37.75" X 80.75"	+100.0	-100.0
	INSWING	37.75" X 82.25"	+100.0	-100.0
FIBER CLASSIC	OUTSWING	37.75" X 80.75"	+80.0	-80.0
	INSWING	37.75" X 82.25"	+75.0	-75.0
SMOOTH STAR	OUTSWING	37.75" X 80.75"	+80.0	-80.0
	INSWING	37.75" X 82.25"	+75.0	-75.0
CLASSIC CRAFT RUSTIC	OUTSWING	37.75" X 80.75"	+90.0	-95.0
	INSWING	37.75" X 82.25"	+90.0	-95.0



Documents Prepared By: Lyndon F. Schmidt, P.E.  
TEXAS P.E. #104123

RW BUILDING CONSULTANTS, INC.  
P.O. Box 230 Valrico FL 33595  
Phone No.: 813.659.9197

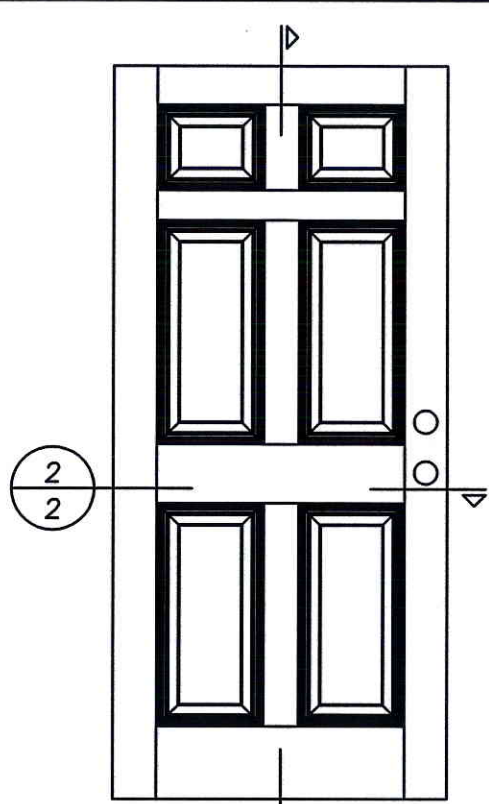
TEXAS BOARD OF PROFESSIONAL ENGINEERS  
CERTIFICATE OF REGISTRATION # F-11852

PRODUCT: SINGLE OPAQUE FIBERGLASS DOOR "IMPACT" INSWING / OUTSWING  
PART OR ASSEMBLY:  
TYPICAL ELEVATION DESIGN PRESSURES & GENERAL NOTES

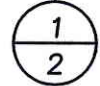
NO.	DATE	BY	REVISIONS

DATE: 07/17/12  
SCALE: N.T.S.  
DWG. BY: JK  
CHK. BY: LFS  
DRAWING NO.: TX-4185  
SHEET 1 OF 9

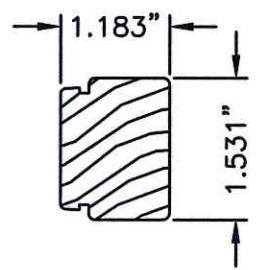




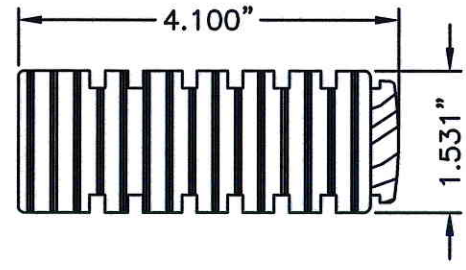
2 HORIZONTAL CROSS SECTION  
2 SMOOTH STAR



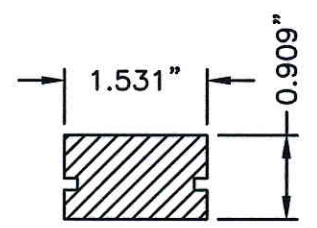
SMOOTH STAR



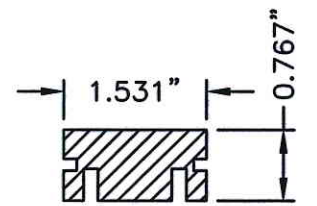
10 HINGE STILE  
SMOOTH STAR



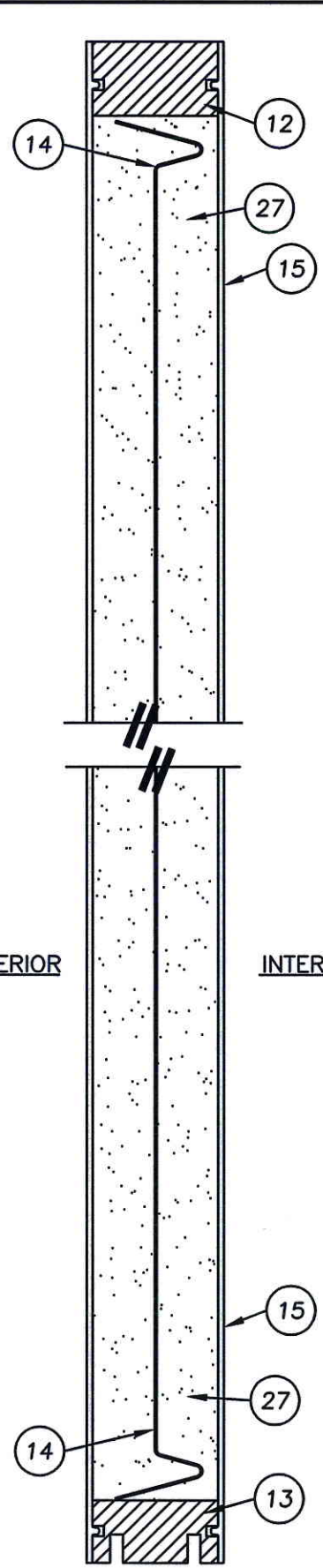
11 LOCK STILE  
SMOOTH STAR



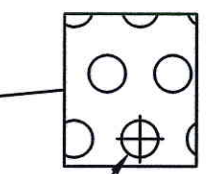
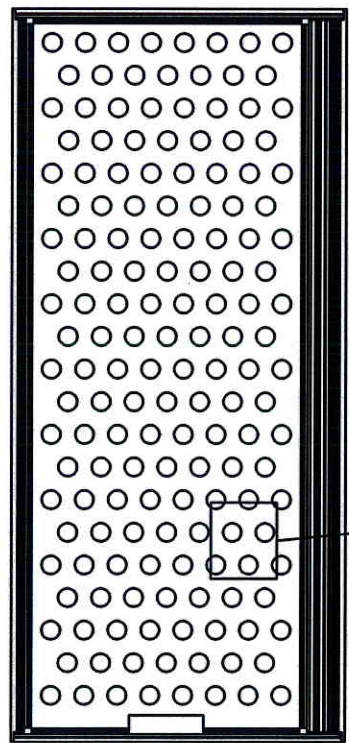
12 TOP RAIL  
SMOOTH STAR



13 BOTTOM RAIL  
SMOOTH STAR

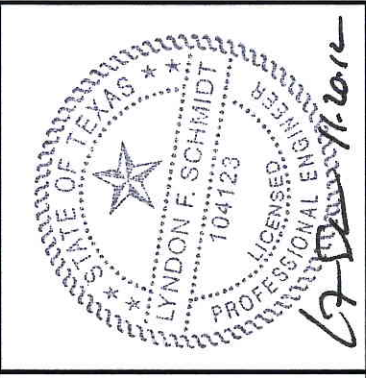


1 VERTICAL CROSS SECTION  
2 SMOOTH STAR



Ø2" DIA.  
MAX.

28.86% OPEN  
AREA MAX.



Documents Prepared By: Lyndon F. Schmidt, P.E.  
TEXAS P.E. #104123

**RW** BUILDING CONSULTANTS, INC.  
P.O. Box 230 Valrico FL 33595  
Phone No.: 813.659.9197

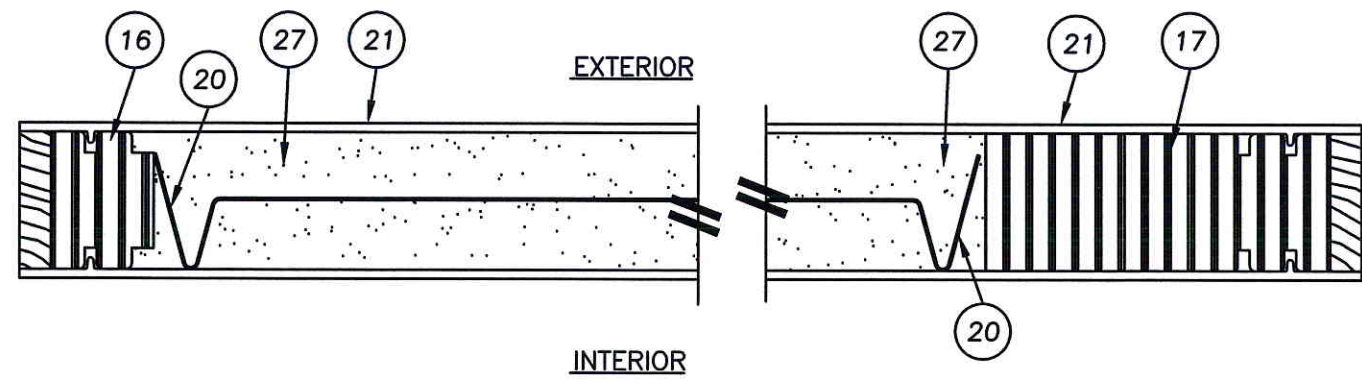
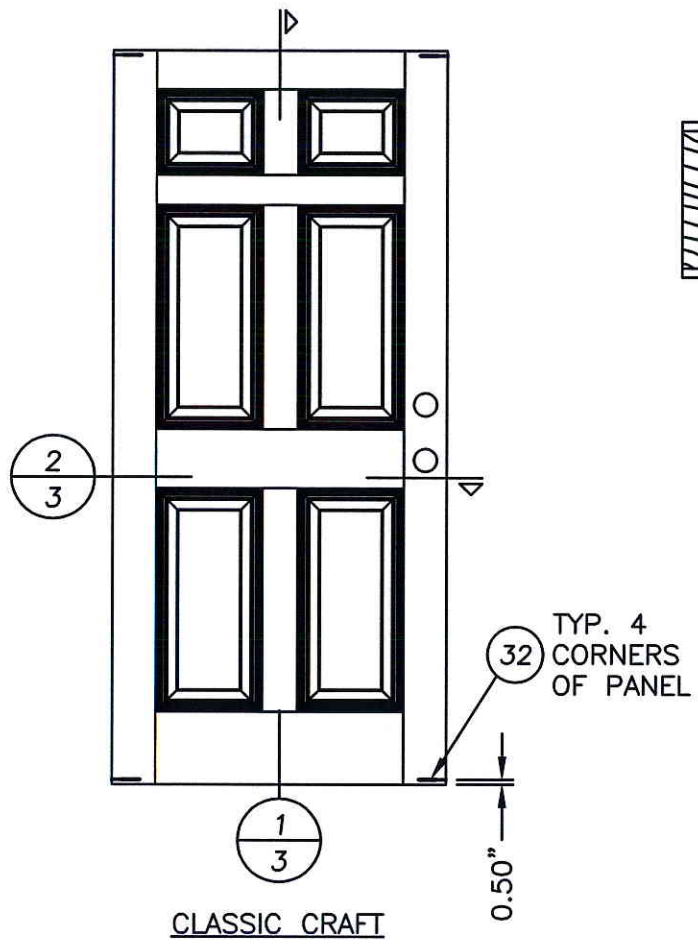
TEXAS BOARD OF PROFESSIONAL ENGINEERS  
CERTIFICATE OF REGISTRATION # F-11852

PRODUCT: SINGLE OPAQUE  
FIBERGLASS DOOR  
"IMPACT" INSWING / OUTSWING  
PART OR ASSEMBLY:  
DOOR PANEL DETAILS  
(SMOOTH STAR)

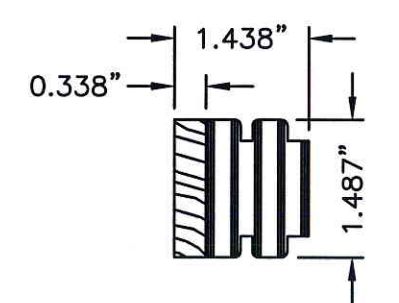
NO.	DATE	BY	REVISIONS

DATE: 07/17/12  
SCALE: N.T.S.  
DWG. BY: JK  
CHK. BY: LFS  
DRAWING NO.: TX-4185  
SHEET 2 OF 9

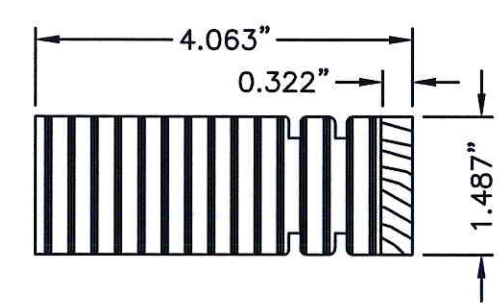




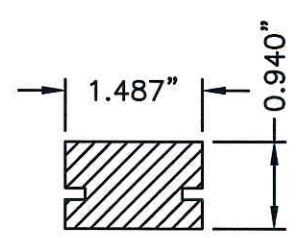
2 HORIZONTAL CROSS SECTION  
3 (CLASSIC CRAFT)



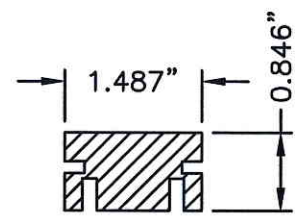
16 HINGE STILE  
CLASSIC CRAFT



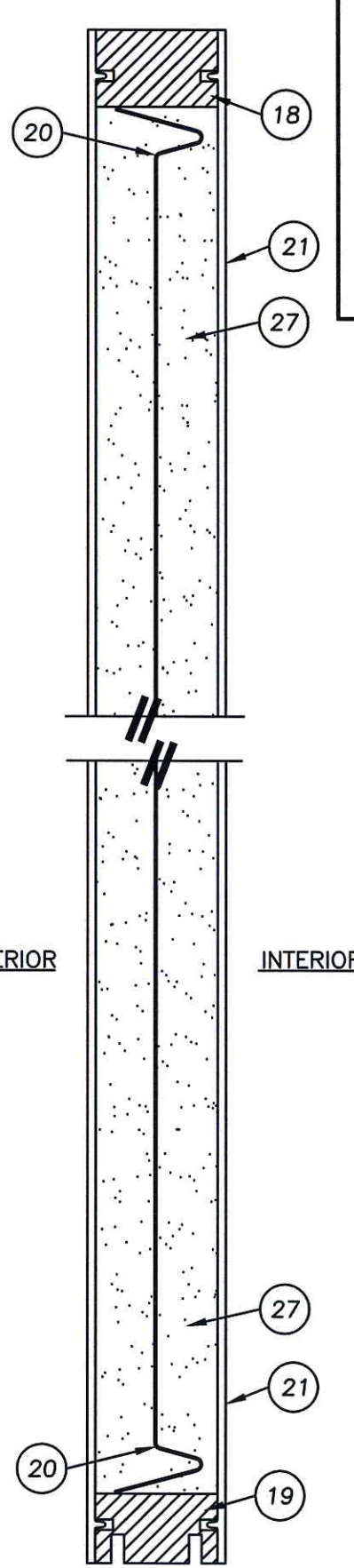
17 LOCK STILE  
CLASSIC CRAFT



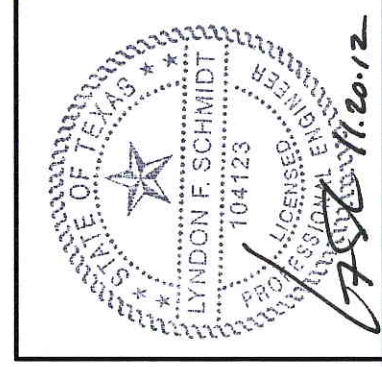
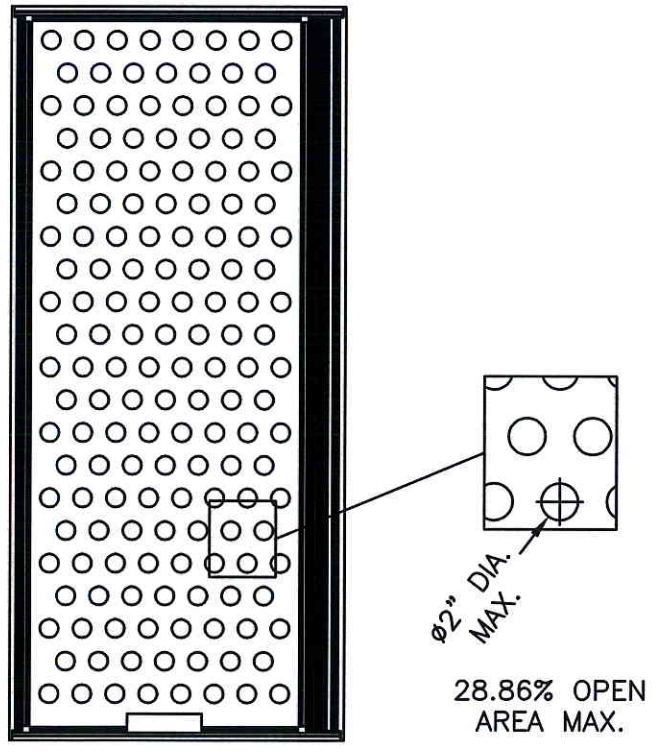
18 TOP RAIL  
CLASSIC CRAFT



19 BOTTOM RAIL  
CLASSIC CRAFT



1 VERTICAL CROSS SECTION  
3 (CLASSIC CRAFT)



Documents Prepared By: Lyndon F. Schmidt, P.E.  
TEXAS P.E. #104123

**RW** BUILDING CONSULTANTS, INC.  
P.O. Box 230 Valrico FL 33595  
Phone No.: 813.659.9197

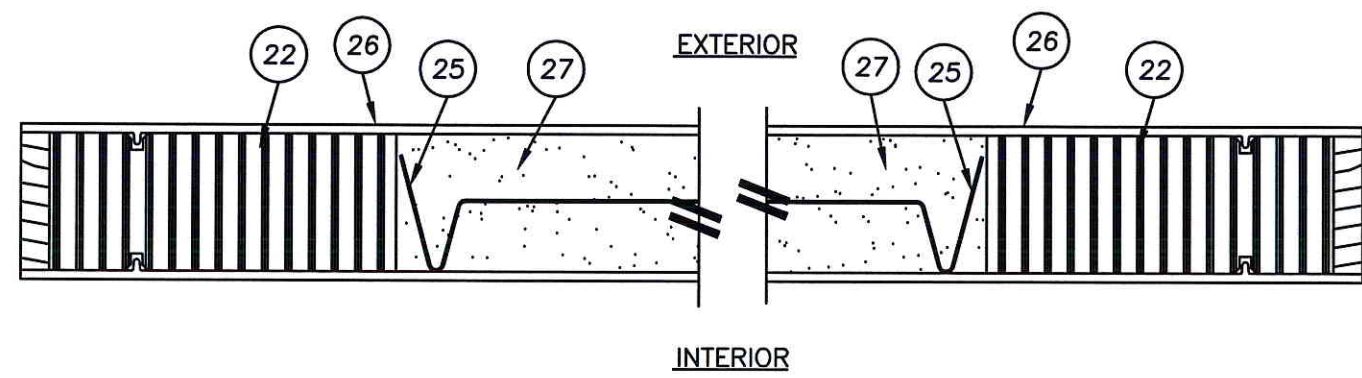
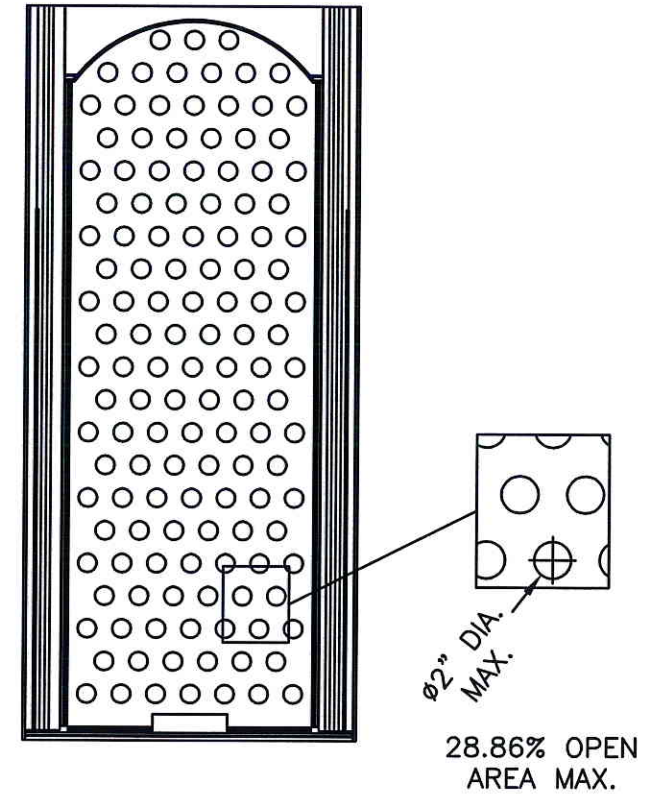
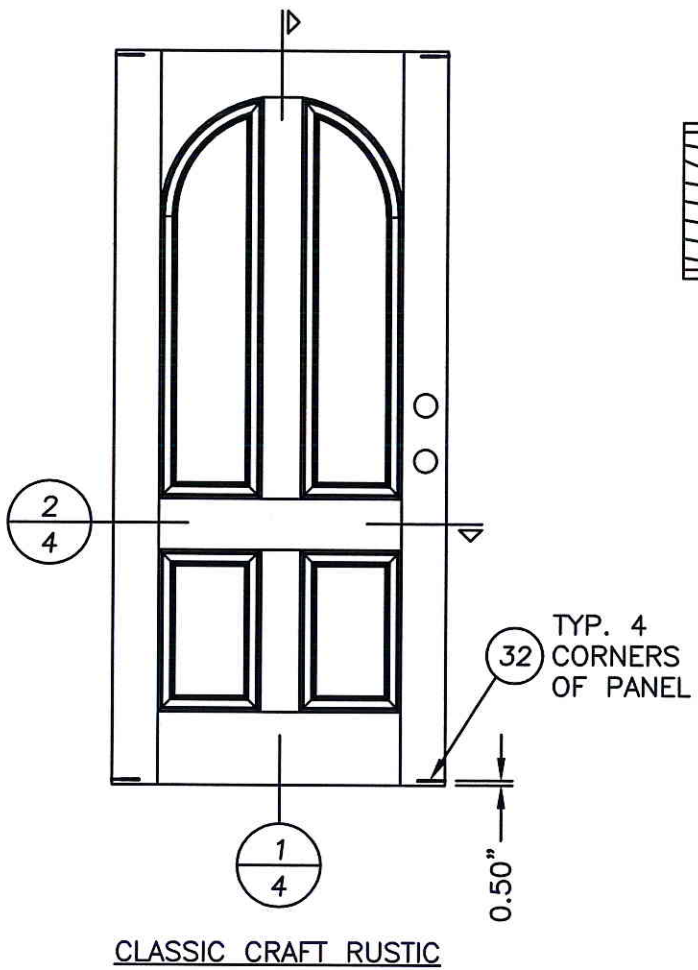
TEXAS BOARD OF PROFESSIONAL ENGINEERS  
CERTIFICATE OF REGISTRATION # F-11852

PRODUCT: SINGLE OPAQUE  
FIBERGLASS DOOR  
"IMPACT" INSWING / OUTSWING  
PART OR ASSEMBLY:  
DOOR PANEL DETAILS  
(CLASSIC CRAFT)

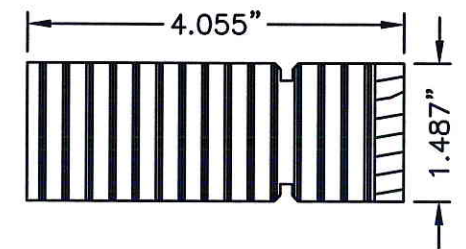
NO.	DATE	BY	REVISIONS

DATE: 7/17/12  
SCALE: N.T.S.  
DWG. BY: JK  
CHK. BY: LFS  
DRAWING NO.: TX-4185  
SHEET 3 OF 9

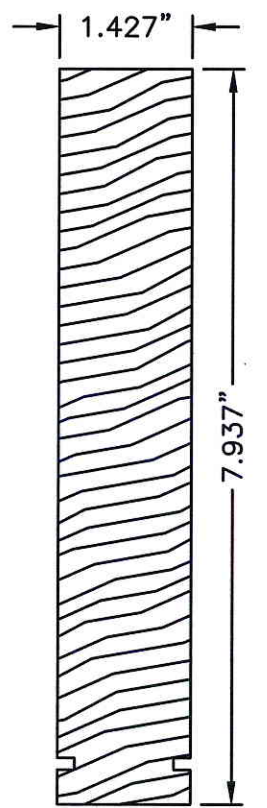




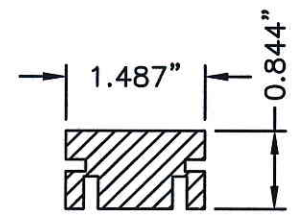
2 HORIZONTAL CROSS SECTION  
4 (CLASSIC CRAFT RUSTIC)



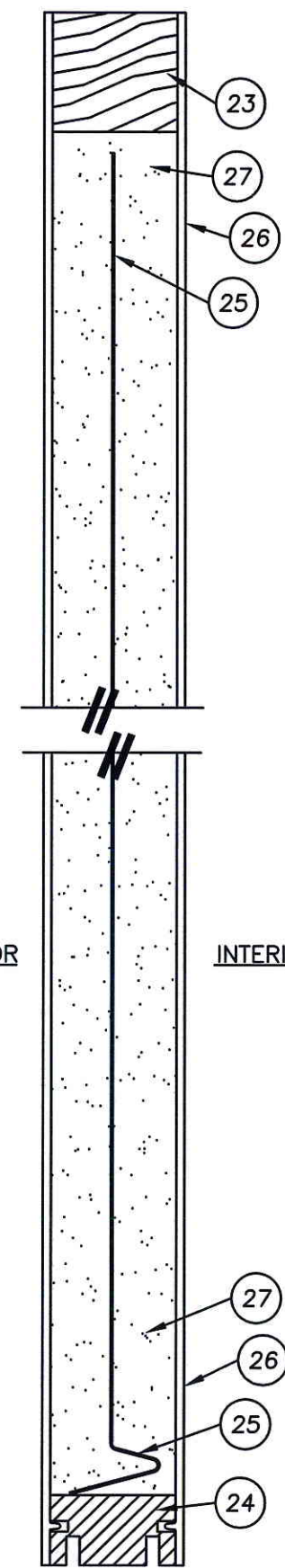
22 LOCK & HINGE STILE  
CLASSIC CRAFT RUSTIC



23 TOP RAIL  
CLASSIC CRAFT RUSTIC



24 BOTTOM RAIL  
CLASSIC CRAFT RUSTIC



1 VERTICAL CROSS SECTION  
4 (CLASSIC CRAFT RUSTIC)



Documents Prepared By: Lyndon F. Schmidt, P.E.  
TEXAS P.E. #104123

**RW** BUILDING CONSULTANTS, INC.  
P.O. Box 230 Vairico FL 33595  
Phone No.: 813.659.9197

TEXAS BOARD OF PROFESSIONAL ENGINEERS  
CERTIFICATE OF REGISTRATION # F-11852

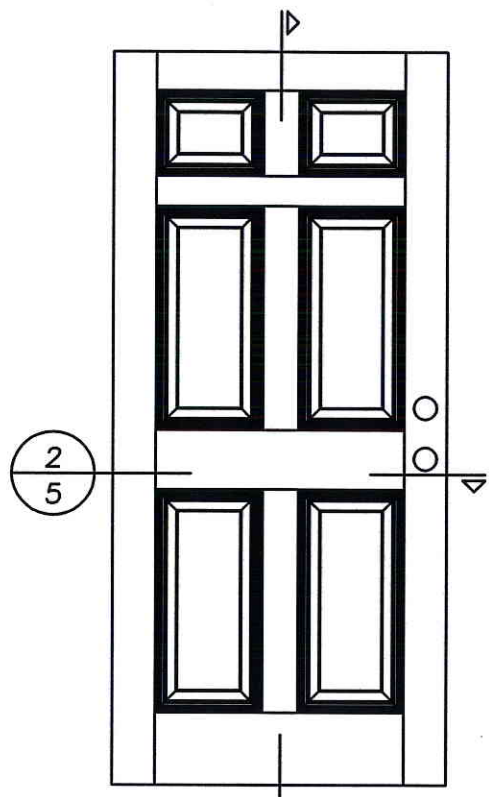
PRODUCT: SINGLE OPAQUE  
FIBERGLASS DOOR  
"IMPACT" INSWING / OUTSWING  
PART OR ASSEMBLY:

DOOR PANEL DETAILS  
(CLASSIC CRAFT RUSTIC)

NO.	DATE	BY	REVISIONS

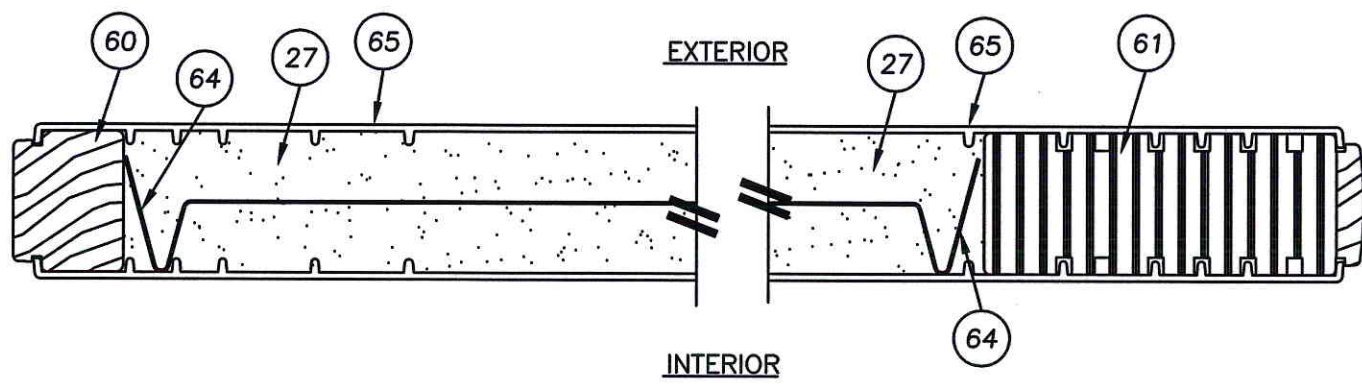
DATE: 07/17/12  
SCALE: N.T.S.  
DWG. BY: JK  
CHK. BY: LFS  
DRAWING NO.: TX-4185  
SHEET 4 OF 9



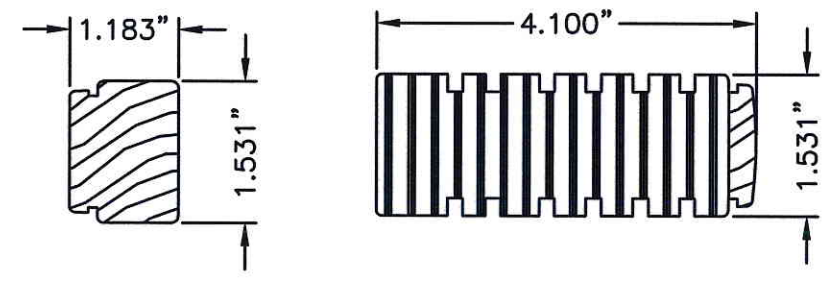


1  
5

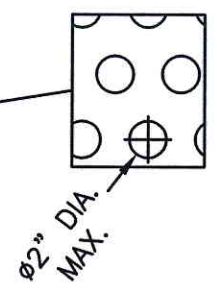
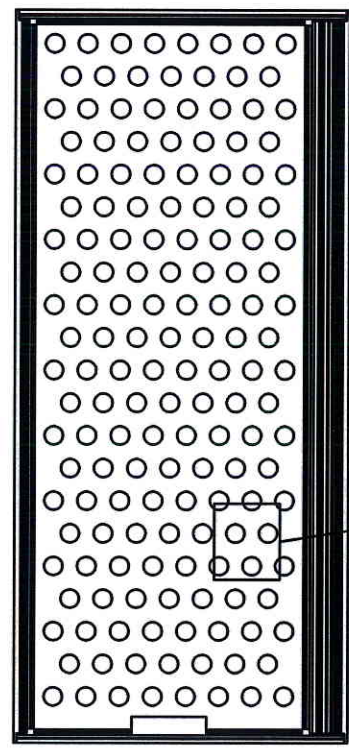
FIBER CLASSIC



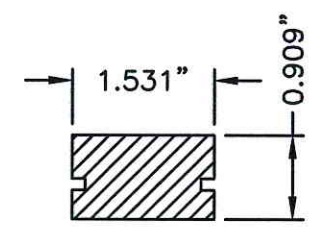
2  
5 HORIZONTAL CROSS SECTION  
FIBER CLASSIC



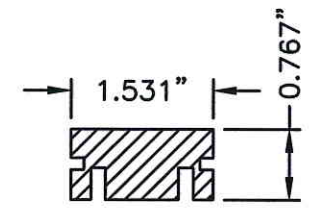
60 HINGE STILE  
FIBER CLASSIC      61 LOCK STILE  
FIBER CLASSIC



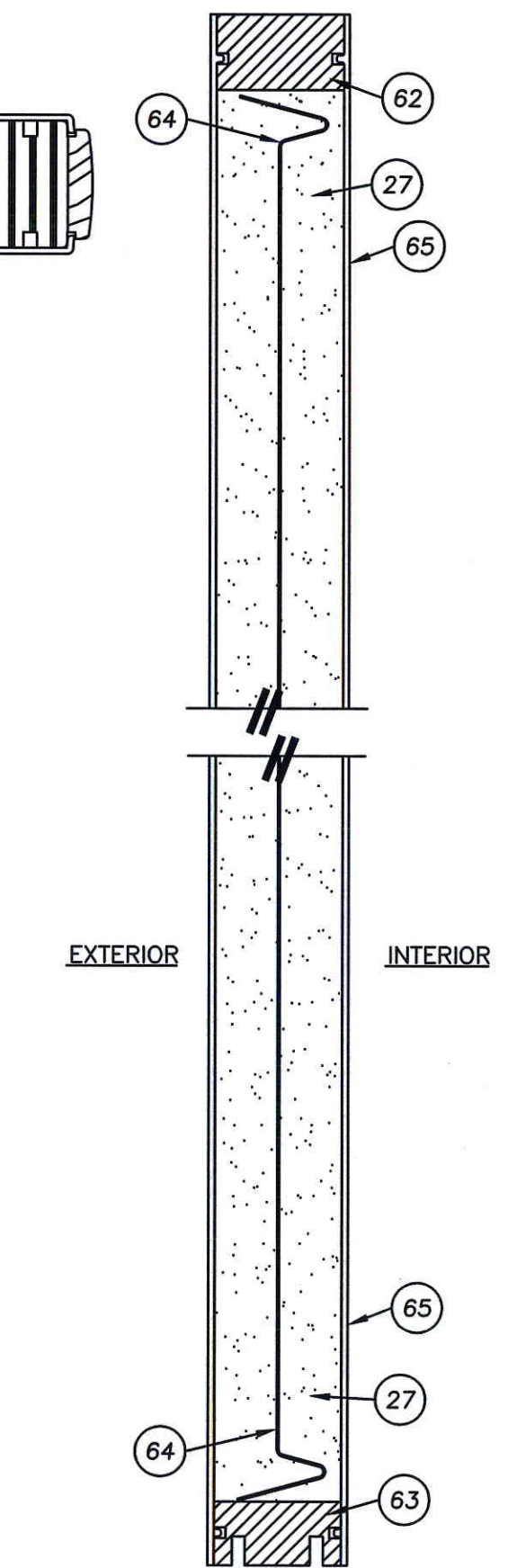
28.86% OPEN  
AREA MAX.



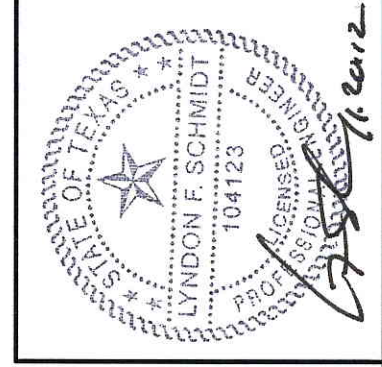
62 TOP RAIL  
FIBER CLASSIC



63 BOTTOM RAIL  
FIBER CLASSIC



1  
5 VERTICAL CROSS SECTION  
FIBER CLASSIC



Documents Prepared By: Lyndon F. Schmidt, P.E.  
TEXAS P.E. #104123

**RW** BUILDING CONSULTANTS, INC.  
P.O. Box 230 Valrico FL 33595  
Phone No.: 813.659.9197

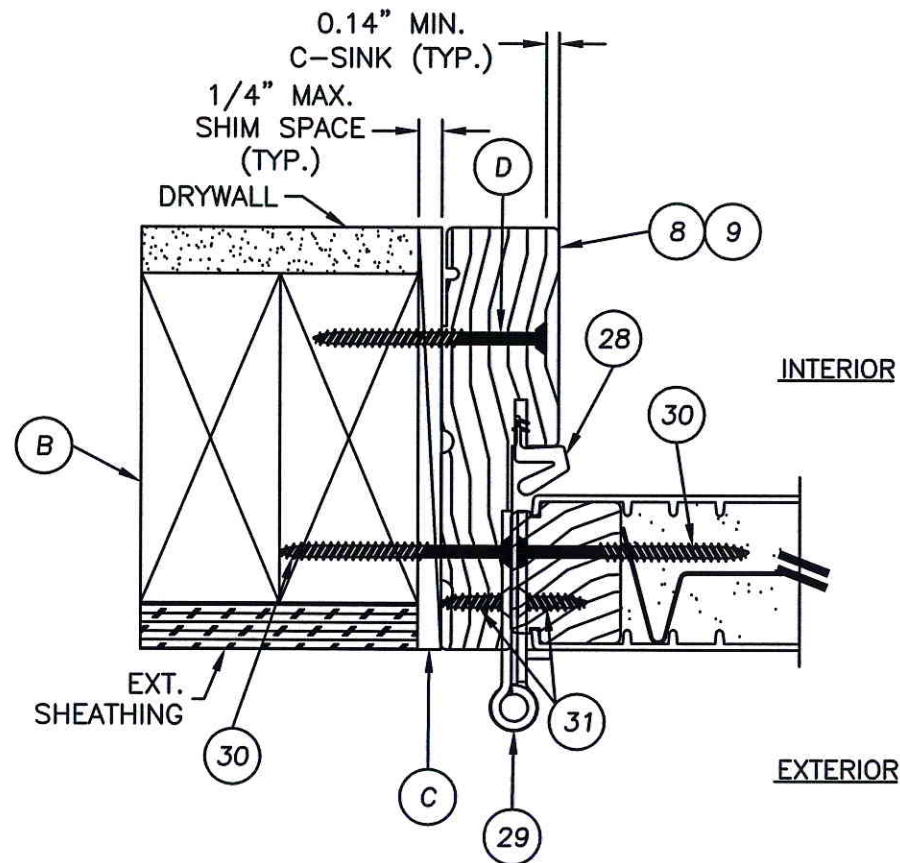
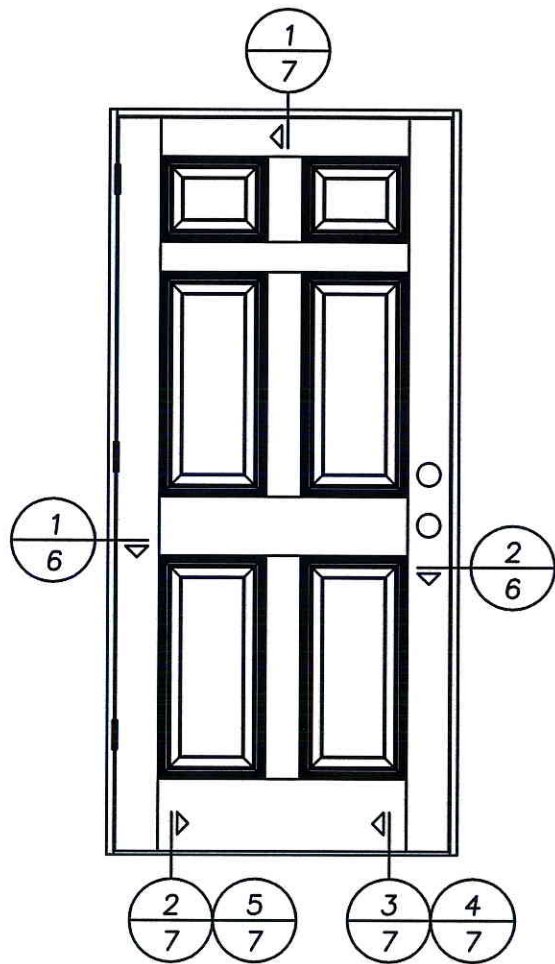
TEXAS BOARD OF PROFESSIONAL ENGINEERS  
CERTIFICATE OF REGISTRATION # F-11852

PRODUCT: SINGLE OPAQUE  
FIBERGLASS DOOR  
"IMPACT" INSWING / OUTSWING  
PART OR ASSEMBLY:  
DOOR PANEL DETAILS  
(FIBER CLASSIC)

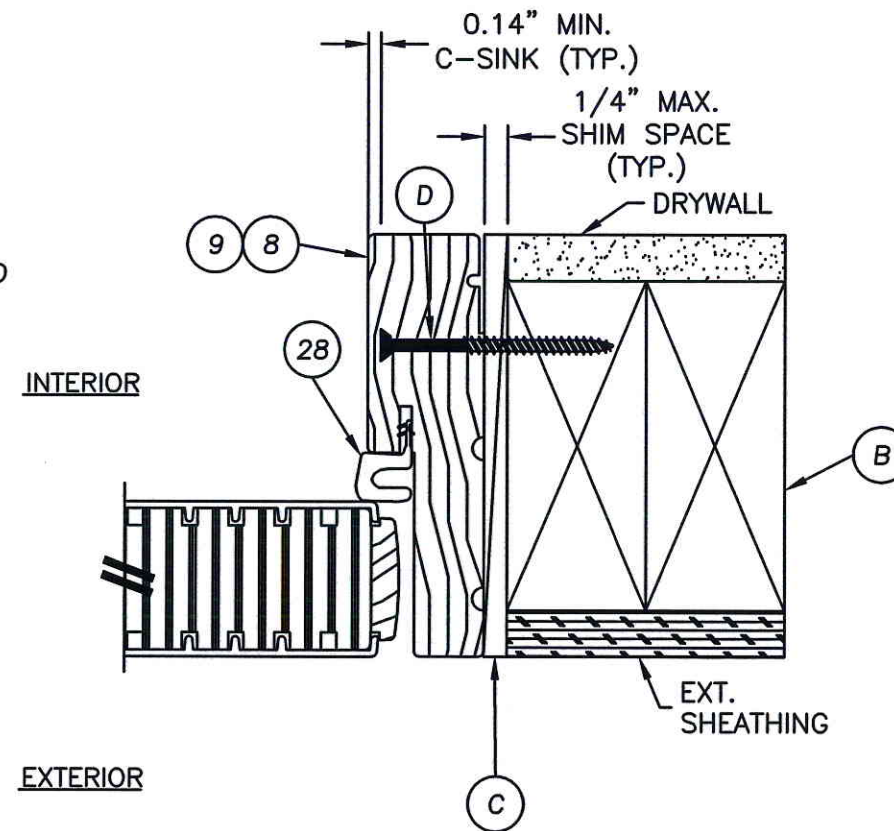
NO.	DATE	BY	REVISIONS

DATE: 07/17/12  
SCALE: N.T.S.  
DWG. BY: JK  
CHK. BY: LFS  
DRAWING NO.: TX-4185  
SHEET 5 OF 9

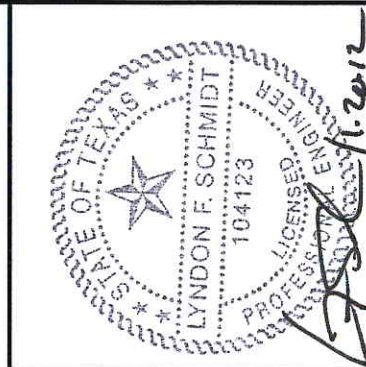




1 HORIZONTAL CROSS SECTION  
 6 OUTSWING SHOWN - INSWING ALSO APPROVED  
 SMOOTH STAR PANEL SHOWN  
 SEE DOOR PANEL DETAILS FOR  
 OPTIONAL PANEL TYPES



2 HORIZONTAL CROSS SECTION  
 6 OUTSWING SHOWN - INSWING ALSO APPROVED  
 SMOOTH STAR PANEL SHOWN  
 SEE DOOR PANEL DETAILS FOR  
 OPTIONAL PANEL TYPES



Documents Prepared By: Lyndon F. Schmidt, P.E.  
 TEXAS P.E. #104123

**RW** BUILDING CONSULTANTS, INC.  
 P.O. Box 230 Vairico FL 33595  
 Phone No.: 813.659.9197

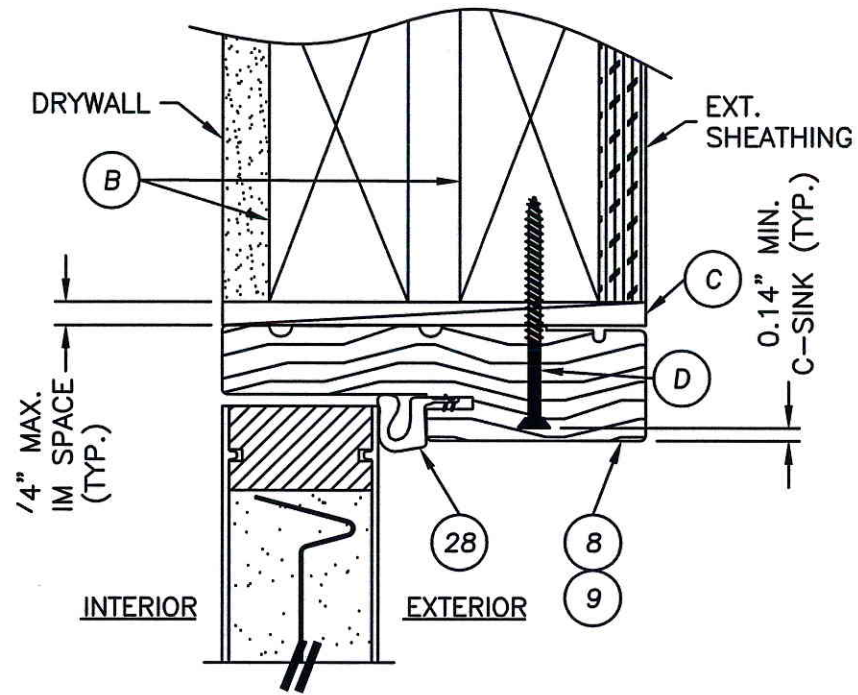
TEXAS BOARD OF PROFESSIONAL ENGINEERS  
 CERTIFICATE OF REGISTRATION # F-11852

PRODUCT: SINGLE OPAQUE  
 FIBERGLASS DOOR  
 "IMPACT" INSWING / OUTSWING  
 PART OR ASSEMBLY:  
 HORIZONTAL CROSS SECTIONS

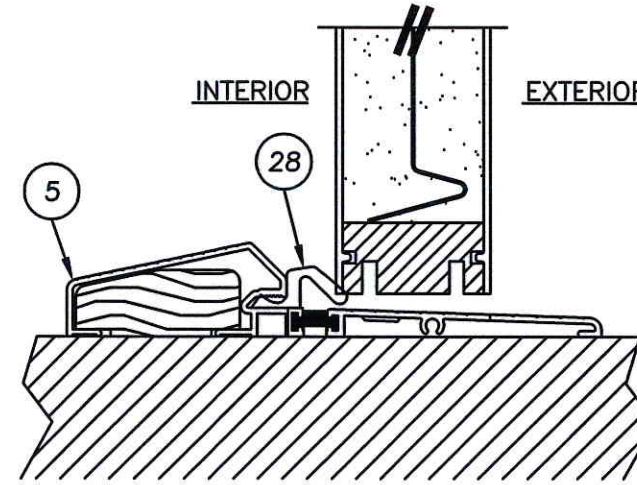
NO.	DATE	BY	REVISIONS

DATE: 07/17/12  
 SCALE: N.T.S.  
 DWG. BY: JK  
 CHK. BY: LFS  
 DRAWING NO.: TX-4185  
 SHEET 6 OF 9

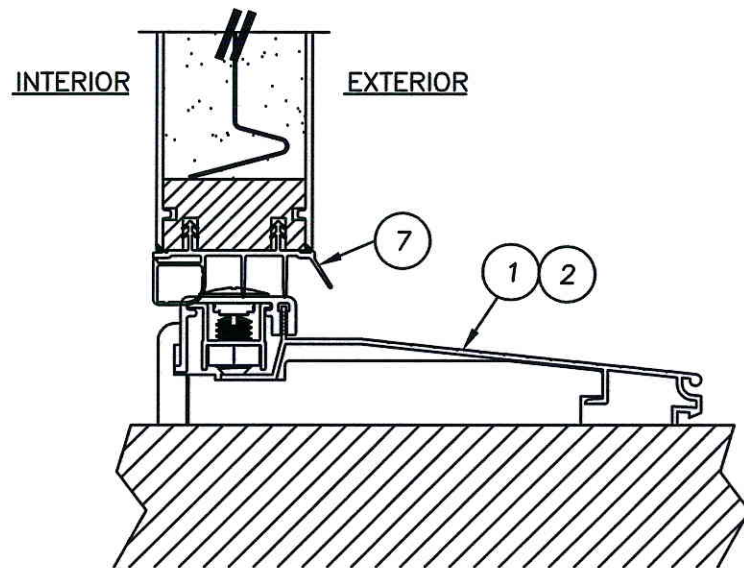




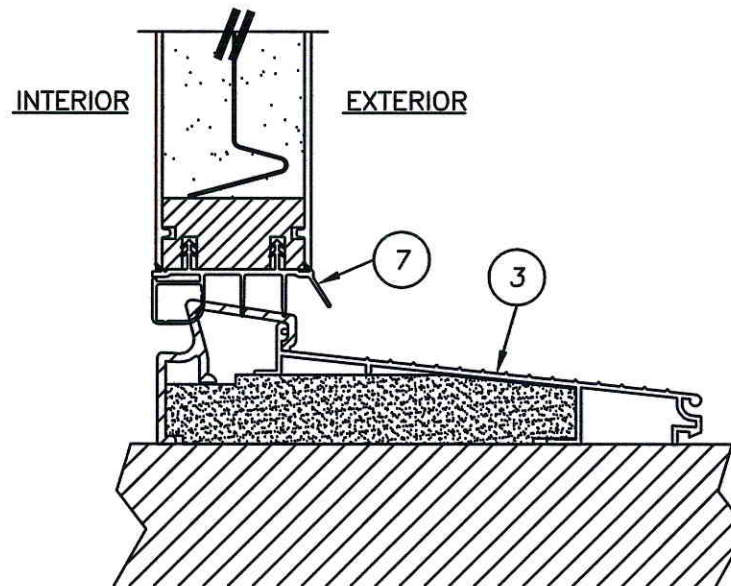
1 VERTICAL CROSS SECTION  
 7 INSWING SHOWN - OUTSWING ALSO APPROVED  
 SMOOTH STAR PANEL SHOWN  
 SEE DOOR PANEL DETAILS FOR  
 OPTIONAL PANEL TYPES



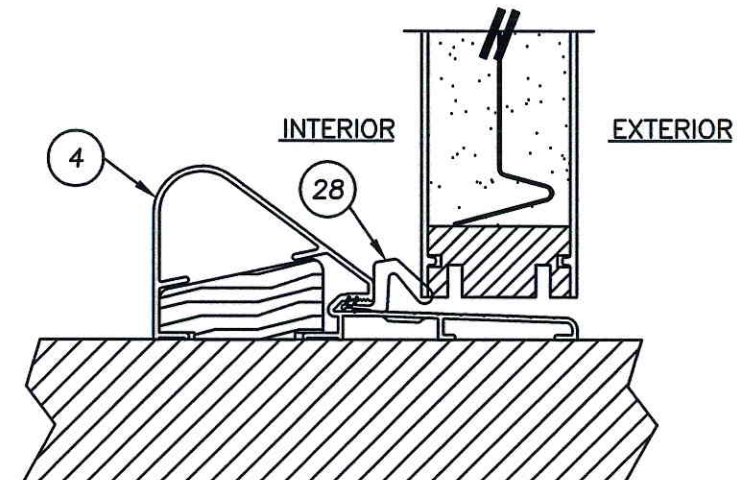
2 VERTICAL CROSS SECTION  
 7 @ THRESHOLD  
 SMOOTH STAR PANEL SHOWN  
 SEE DOOR PANEL DETAILS FOR  
 OPTIONAL PANEL TYPES



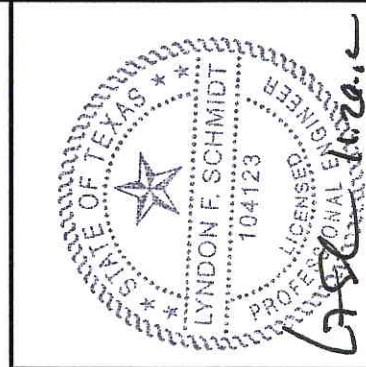
3 VERTICAL CROSS SECTION  
 7 @ THRESHOLD  
 SMOOTH STAR PANEL SHOWN  
 SEE DOOR PANEL DETAILS FOR  
 OPTIONAL PANEL TYPES



4 VERTICAL CROSS SECTION  
 7 @ THRESHOLD  
 SMOOTH STAR PANEL SHOWN  
 SEE DOOR PANEL DETAILS FOR  
 OPTIONAL PANEL TYPES



5 VERTICAL CROSS SECTION  
 7 @ THRESHOLD  
 SMOOTH STAR PANEL SHOWN  
 SEE DOOR PANEL DETAILS FOR  
 OPTIONAL PANEL TYPES



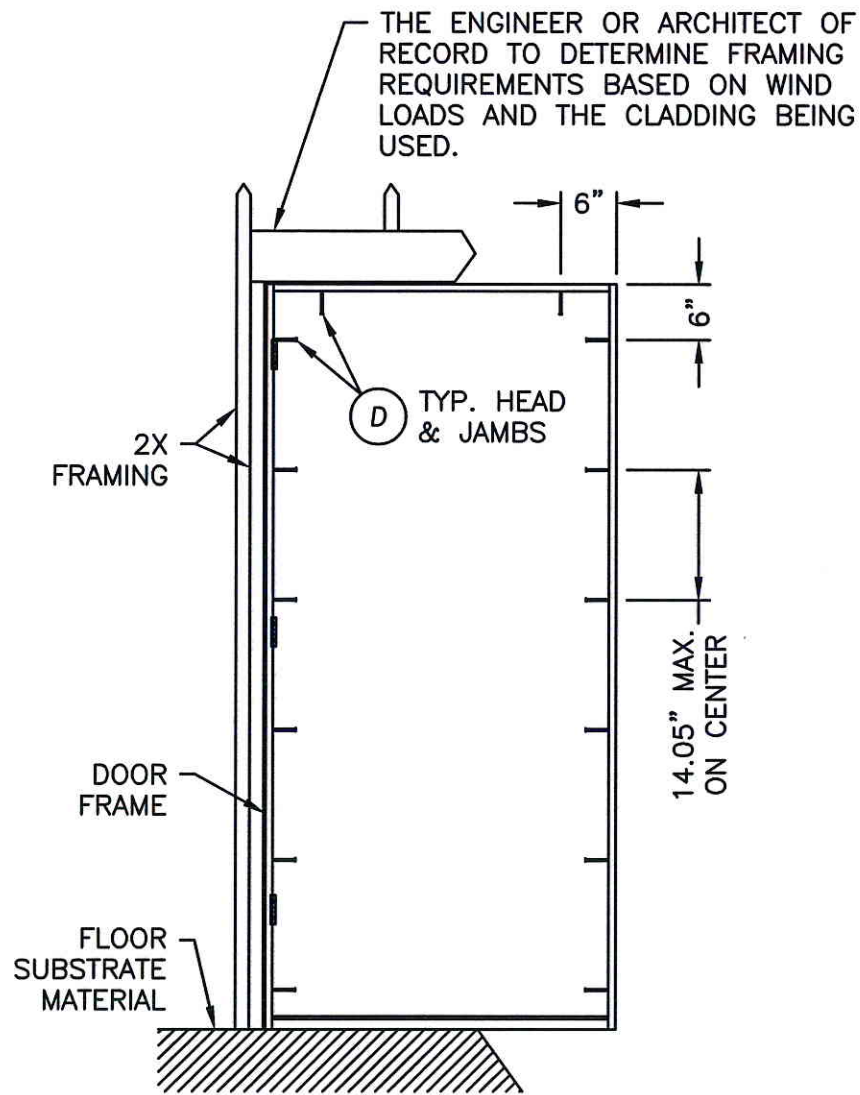
Documents Prepared By: Lyndon F. Schmidt, P.E.  
 TEXAS P.E. #104123  
 RW BUILDING CONSULTANTS, INC.  
 P.O. Box 230 Valrico FL 33595  
 Phone No.: 813.659.9197  
 TEXAS BOARD OF PROFESSIONAL ENGINEERS  
 CERTIFICATE OF REGISTRATION # F-11852

PRODUCT: SINGLE OPAQUE  
 FIBERGLASS DOOR  
 "IMPACT" INSWING / OUTSWING  
 PART OR ASSEMBLY: VERTICAL CROSS SECTIONS

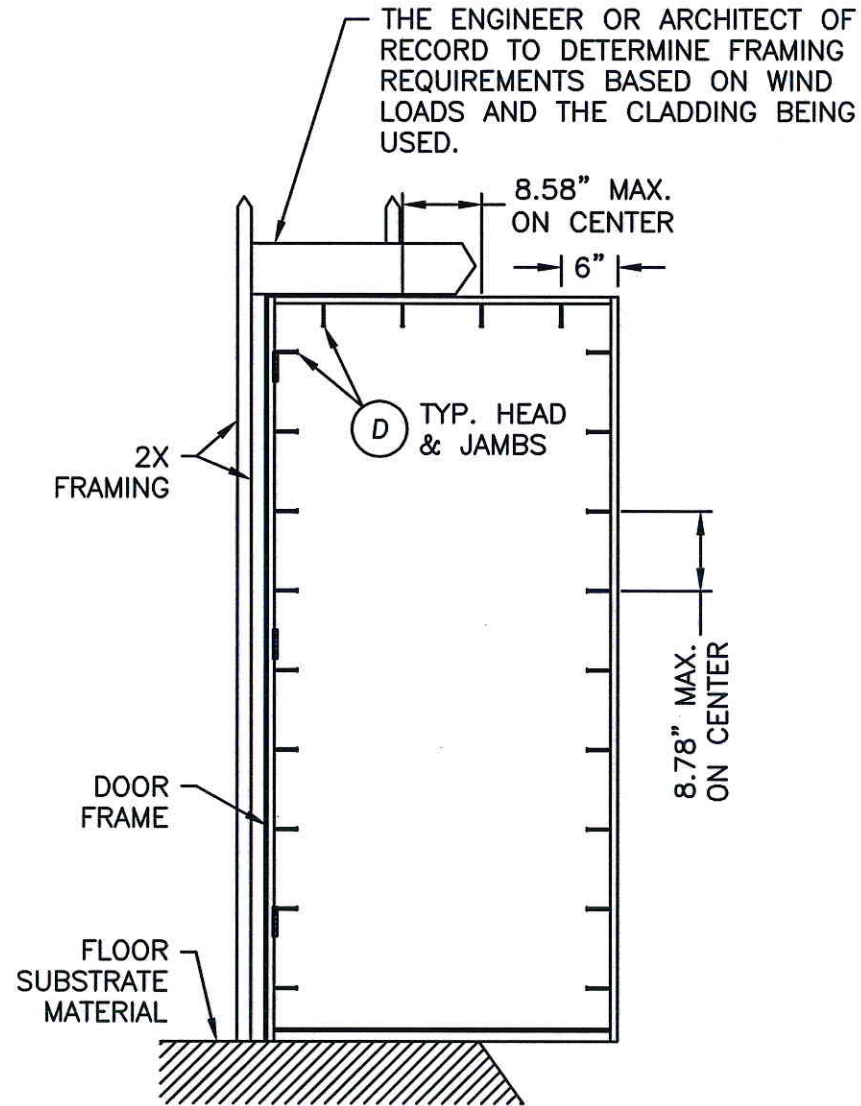
NO.	DATE	BY	REVISIONS

DATE: 07/17/12  
 SCALE: N.T.S.  
 DWG. BY: JK  
 CHK. BY: LFS  
 DRAWING NO.: TX-4185  
 SHEET 7 OF 9

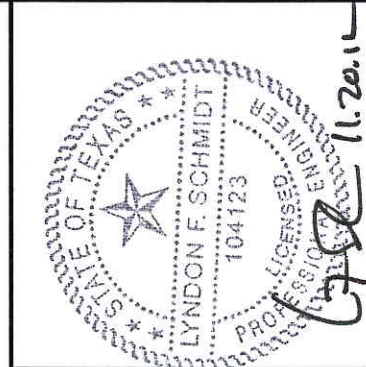
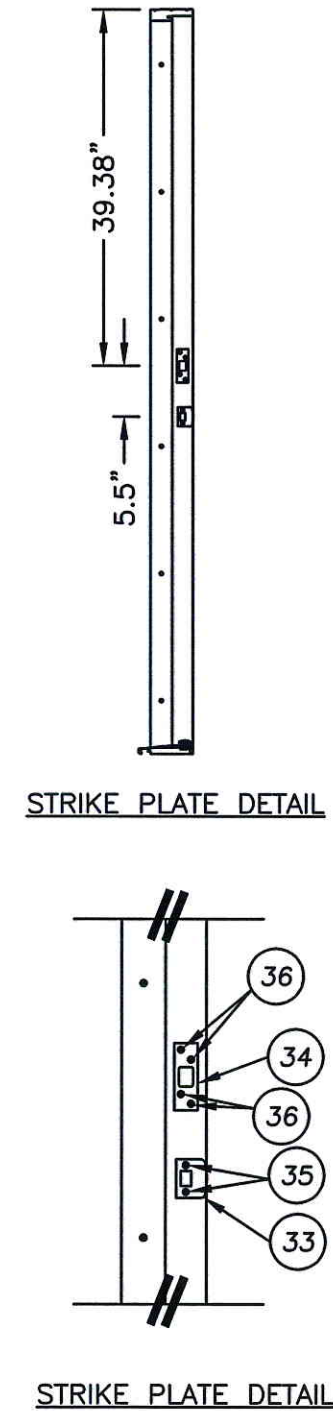
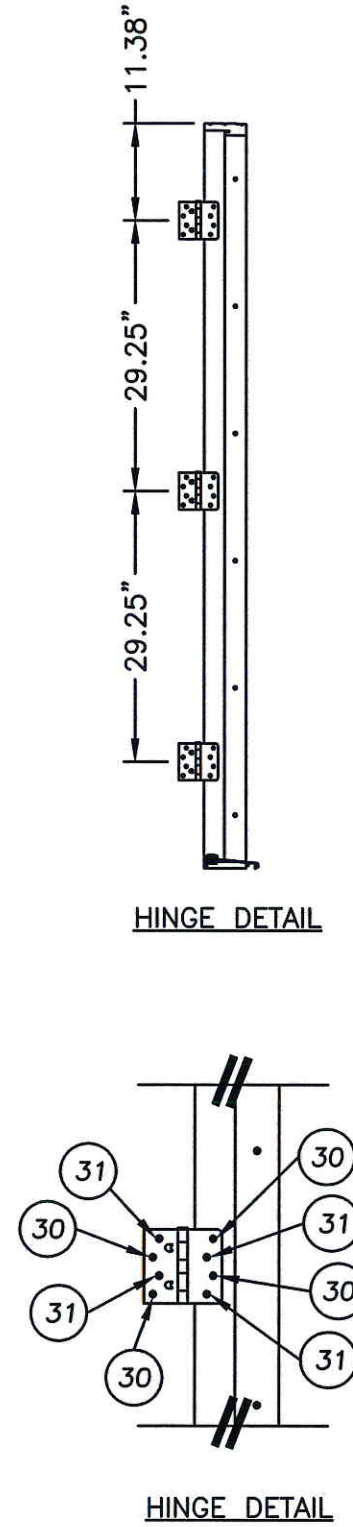




ANCHORING FOR  
DP <= 80 PSF



ANCHORING FOR  
80 PSF < DP <= 100 PSF



Documents Prepared By: Lyndon F. Schmidt, P.E.  
TEXAS P.E. #104123

**RW** BUILDING CONSULTANTS, INC.  
P.O. Box 230 Valrico FL 33595  
Phone No.: 813.659.9197

TEXAS BOARD OF PROFESSIONAL ENGINEERS  
CERTIFICATE OF REGISTRATION # F-11852

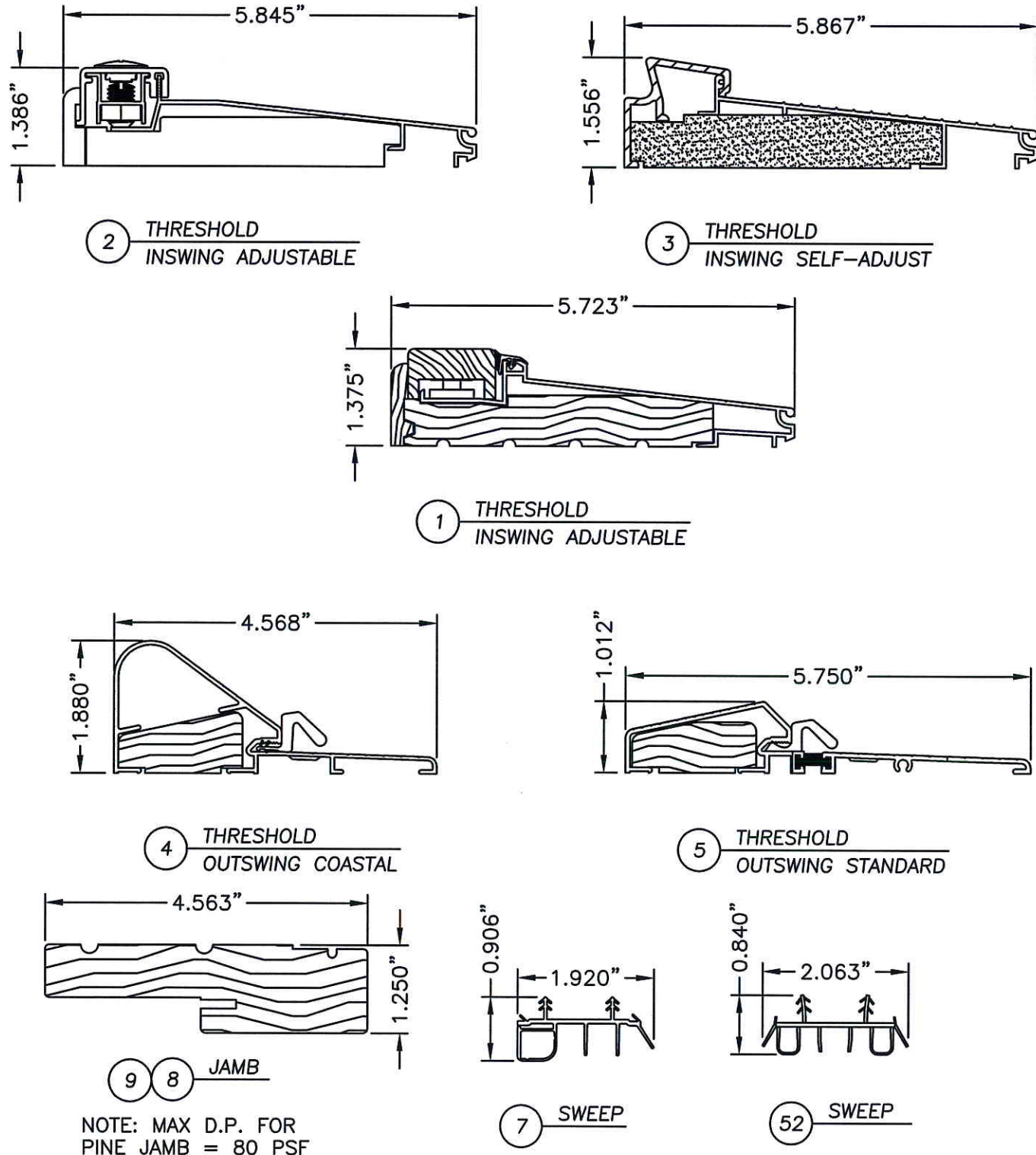
PRODUCT: SINGLE OPAQUE FIBERGLASS DOOR "IMPACT" INSWING / OUTSWING PART OR ASSEMBLY: FRAME ANCHORING

NO.	DATE	BY	REVISIONS

DATE: 07/17/12  
SCALE: N.T.S.  
DWG. BY: JK  
CHK. BY: LFS  
DRAWING NO.: TX-4185  
SHEET 8 OF 9



BILL OF MATERIALS		
ITEM	DESCRIPTION	MATERIAL
B	2X FRAMING (G >= 0.42)	WOOD
C	1/4" MAX. SHIM SPACE	WOOD
D	#10 X 2-1/2" PFH WOOD SCREW	STEEL
G	KWIKSET 200 SERIES PASSAGE LOCK	STEEL
H	KWIKSET 600 SERIES DEADBOLT	STEEL
1	IN SWING ADJUSTABLE THRESHOLD (IS300AJ)	ALUM./WOOD
2	IN SWING THRESHOLD (IS300HP5)	-
3	IN SWING SELF ADJUST THERMAL BREAK THRESHOLD (ISP30M)	ALUM./COMP.
4	OUTSWING COASTAL THRESHOLD	ALUM./WOOD
5	OUTSWING STANDARD THRESHOLD	ALUM./WOOD
7	DOOR BOTTOM SWEEP	VINYL
8	JAMB (PINE)	WOOD
9	JAMB (OAK)	WOOD
10	HINGE STILE (SMOOTH STAR)	WOOD
11	LOCK STILE (SMOOTH STAR)	LVL/WOOD
12	TOP RAIL (SMOOTH STAR)	PVC
13	BOTTOM RAIL (SMOOTH STAR)	PVC
14	PANEL REINFORCEMENT 0.023" THK. (SMOOTH STAR)	STEEL
15	DOOR SKIN 0.070" THK. (SMOOTH STAR) Fy = 6,000 PSI MIN.	FIBERGLASS
16	HINGE STILE (CLASSIC CRAFT)	WOOD/LVL
17	LOCK STILE (CLASSIC CRAFT)	WOOD/LVL
18	TOP RAIL (CLASSIC CRAFT)	PVC
19	BOTTOM RAIL (CLASSIC CRAFT)	PVC
20	PANEL REINFORCEMENT 0.023" THK. (CLASSIC CRAFT)	STEEL
21	DOOR SKIN 0.090" THK. (CLASSIC CRAFT) Fy = 6,000 PSI MIN.	FIBERGLASS
22	LOCK & HINGE STILE (CLASSIC CRAFT RUSTIC)	WOOD/LVL
23	TOP RAIL (CLASSIC CRAFT RUSTIC)	WOOD
24	BOTTOM RAIL (CLASSIC CRAFT RUSTIC)	PVC
25	PANEL REINFORCEMENT 0.023" THK. (CLASSIC CRAFT RUSTIC)	STEEL
26	DOOR SKIN 0.090" THK. (CC RUSTIC) Fy = 6,000 PSI MIN.	FIBERGLASS
27	FOAM CORE	POLYURETHANE
28	WEATHERSTRIP	FOAM
29	HINGE	STEEL
30	#10 X 2-1/2" PFH SCREW	STEEL
31	#10 X 3/4" PFH SCREW	STEEL
32	#9 X 3" PFH WOOD SCREW	STEEL
33	LATCH STRIKE PLATE	STEEL
34	SECURITY STRIKE PLATE (SINGLE DOOR ONLY)	STEEL
35	#8 X 3" PFH SCREW	STEEL
36	#8 X 3" PFH SCREW	STEEL
37	DEADBOLT STRIKE PLATE	STEEL
52	DOOR BOTTOM SWEEP	VINYL
60	HINGE STILE (FIBER CLASSIC)	WOOD
61	LOCK STILE (FIBER CLASSIC)	LVL/WOOD
62	TOP RAIL (FIBER CLASSIC)	PVC
63	BOTTOM RAIL (FIBER CLASSIC)	PVC
64	PANEL REINFORCEMENT 0.023" THK. (FIBER CLASSIC)	STEEL
65	DOOR SKIN 0.072" THK. (FIBER CLASSIC) Fy = 6,000 PSI MIN.	FIBERGLASS



NOTE: MAX D.P. FOR PINE JAMB = 80 PSF



Documents Prepared By: Lyndon F. Schmidt, P.E.  
TEXAS P.E. #104123

**RW** BUILDING CONSULTANTS, INC.  
P.O. Box 230 Valrico FL 33595  
Phone No.: 813.659.9197  
TEXAS BOARD OF PROFESSIONAL ENGINEERS  
CERTIFICATE OF REGISTRATION # F-11852

PRODUCT: SINGLE OPAQUE FIBERGLASS DOOR  
"IMPACT" IN SWING / OUTSWING  
PART OR ASSEMBLY:  
BILL OF MATERIALS & COMPONENTS

NO.	DATE	BY	REVISIONS

DATE: 07/17/12  
SCALE: N.T.S.  
DWG. BY: JK  
CHK. BY: LFS  
DRAWING NO.: TX-4185  
SHEET 9 OF 9