

6'-8" MPDS OXO and XX Door Units Impact Lab Drawings

Installation

- Windload Assembly Procedural Guide Composite 082517 p.11 – Anchor Detail

Door System

- Windload Assembly Procedural Guide Composite 082517 p.2 – Double Door
- Windload Assembly Procedural Guide Composite 082517 p.4 – Single Door w/Sidelites
- C2030856 rev A p. 2 of 2 – Composite Jamb
- C2030642 rev A – Composite Header OXO
- C2030856 rev A p. 1 of 2 – Composite Header XX
- C2031231 rev A p. 1-3 – Articulating Cap Inswing Threshold
- C2030805 rev B p. 1-3 – Z-Series Outswing Threshold
- C2030321 rev F p.1-2 – Composite Inswing Mullion
- C2031448 rev A p.1-2 – Composite Outswing Mullion
- 119XX.01-109-12-49.50 rev X.001 p.7-8 – Panolock for 6'-8" Single Door
- 119XX.01-109-12-51.52 rev X.001 p.9-10 – Panolock for 6'-8" Double Door

Flush Glazed Door Panel

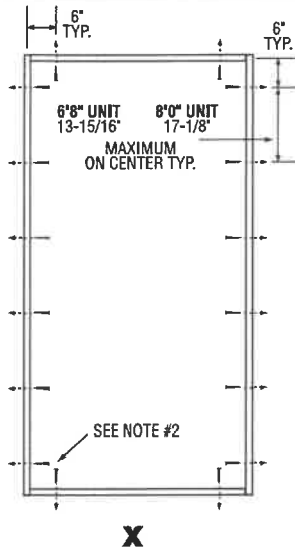
- A1020163 rev H p. 1-11 – Panel Assembly
- C2030367 rev F – Top Rail
- C2030330 rev F p. 2 of 3 – Composite Bottom Rail
- C2030387 rev M p. 1-2 – Stiles
- RW10-00008 rev M – Lock Block
- A1020319 rev D p. 1-2 – Insulated Glass

AMERICAN TEST LAB NORTH
DATE 12/12/23
REPORT NO. ATLNC 0815.01-23

Keith Owen

ATL INSPECTOR

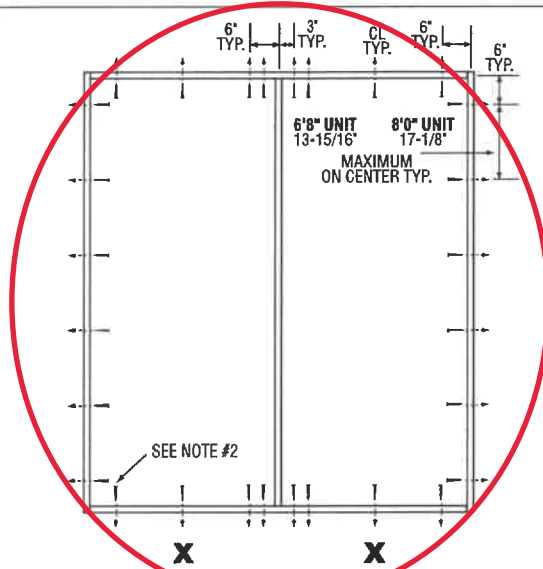
STRUCTURAL PERFORMANCE ANCHOR DETAIL



Minimum Fastener Count

- 2 per horizontal framing member
- 6 per vertical framing member

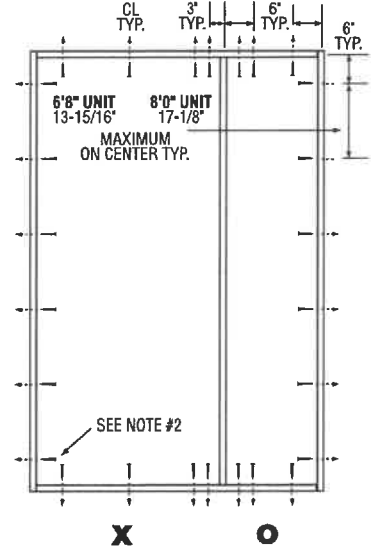
See notes for additional detail



Minimum Fastener Count

- 8 per horizontal framing member
- 6 per vertical framing member

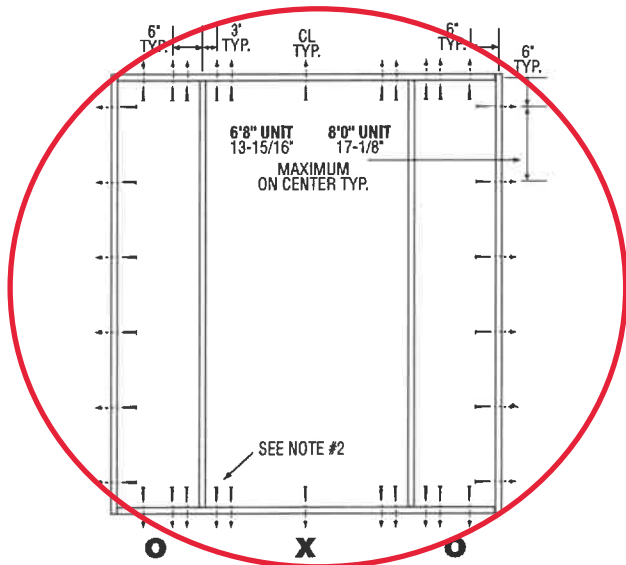
See notes for additional detail



Minimum Fastener Count

- 7 per horizontal framing member
- 6 per vertical framing member

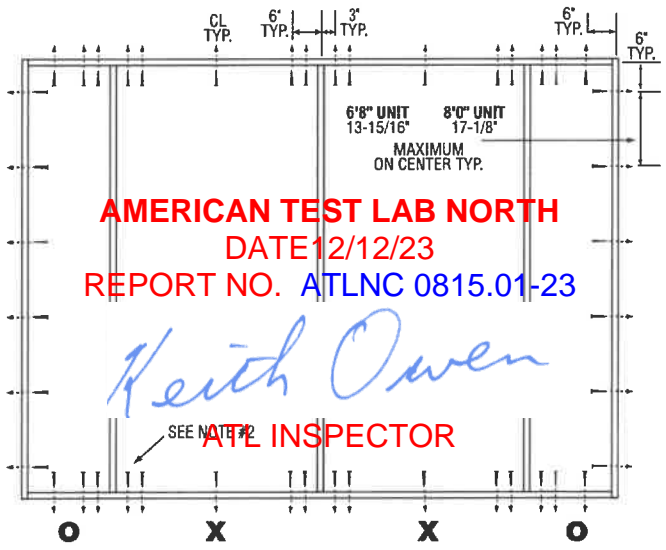
See notes for additional detail



Minimum Fastener Count

- 11 per horizontal framing member
- 6 per vertical framing member

See notes for additional detail



Minimum Fastener Count

- 16 per horizontal framing member
- 6 per vertical framing member

See notes for additional detail

AMERICAN TEST LAB NORTH
DATE 12/12/23
REPORT NO. ATLNC 0815.01-23
Keith Owen
ATL INSPECTOR

NOTES:

1. Cylindrical and deadbolt hardware required at 5-1/2" centerline for 6'8" and smaller and 10-1/2" centerline for door heights greater than 6'8". Evaluated with Kwikset Series 400 latch and Series 980 deadbolt.
2. Fasteners analyzed for this unit include #10 wood screws (1-1/2" embedment) or 3/16" Tapcons (1-1/4" embedment).
3. One #10 x 2-1/2" screws required through each hinge on the vertical jamb or mullion.
4. Two #8 x 2" screws required through each strike plate.
5. Wood bucks by others, must be anchored properly to transfer loads to the structure.
6. Rough opening to accommodate no greater than 1/4" shim space.

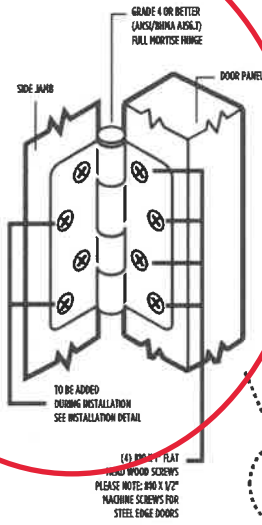
©2017 Our Continuing program of product improvement makes specifications, design and product detail subject to change without notice



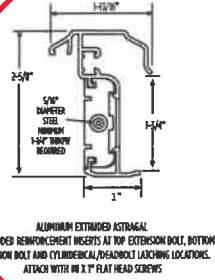
Keith Owen

ATL INSPECTOR

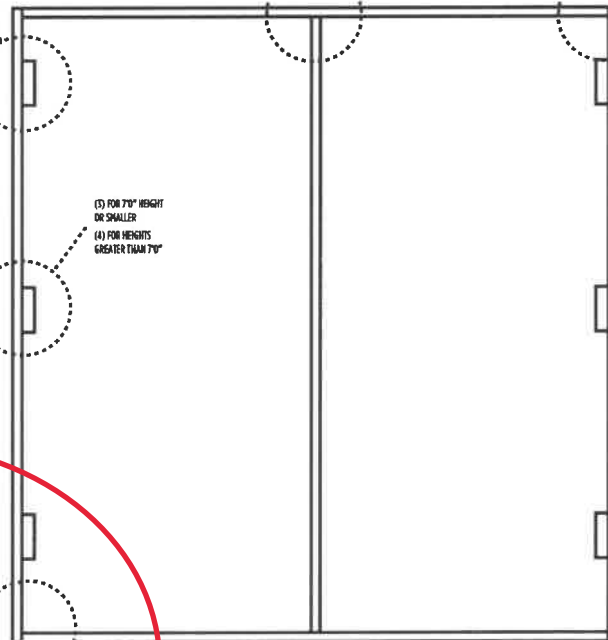
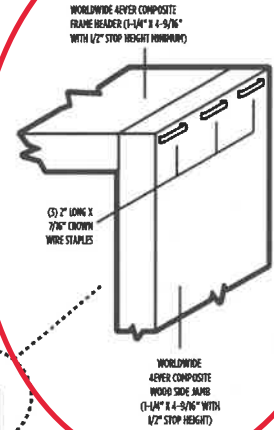
TYPICAL HINGE ATTACHMENT



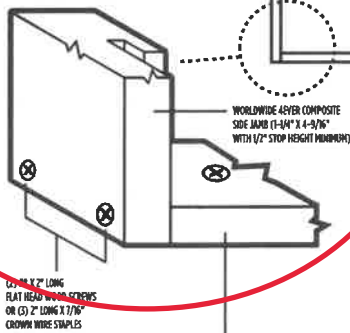
TYPICAL ASTRAGAL PROFILES



TYPICAL HEADER & SIDE JAMB ATTACHMENT



TYPICAL THRESHOLD & SIDE JAMB ATTACHMENT



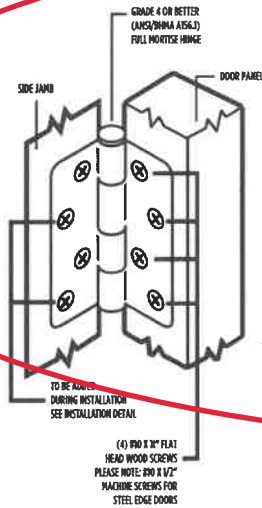
TYPICAL THRESHOLD PROFILES



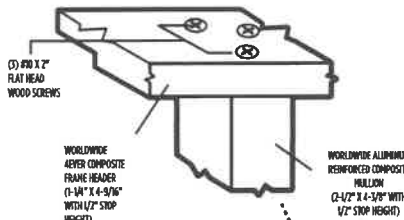
©2017
 Our Continuing program of product improvement makes specifications, design and product detail subject to change without notice.

UNIT WITH SINGLE DOOR & TWO SIDELITES

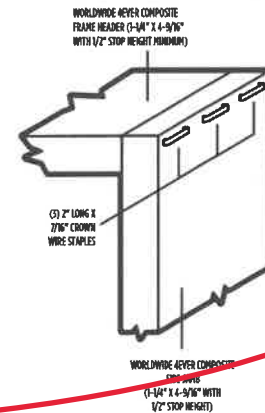
TYPICAL HINGE ATTACHMENT



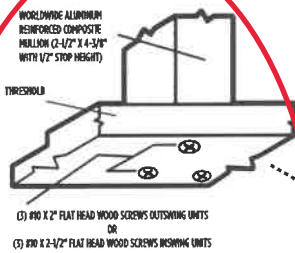
TYPICAL MULLION ATTACHMENT



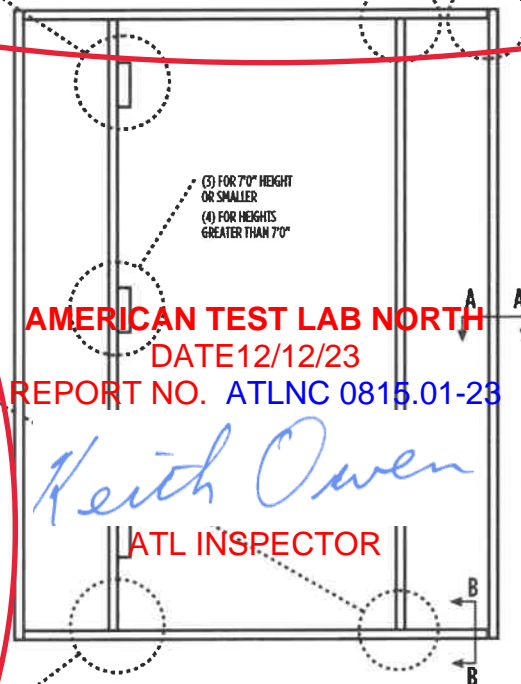
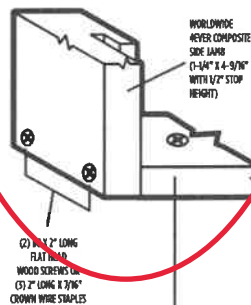
TYPICAL HEADER & SIDE JAMB ATTACHMENT



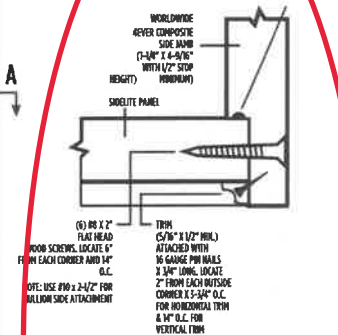
TYPICAL THRESHOLD & MULLION ATTACHMENT



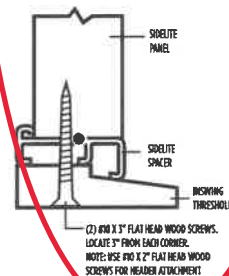
TYPICAL THRESHOLD & SIDE JAMB ATTACHMENT



**SECTION A-A
TYPICAL SIDE JAMB & SIDELITE PANEL ATTACHMENT**



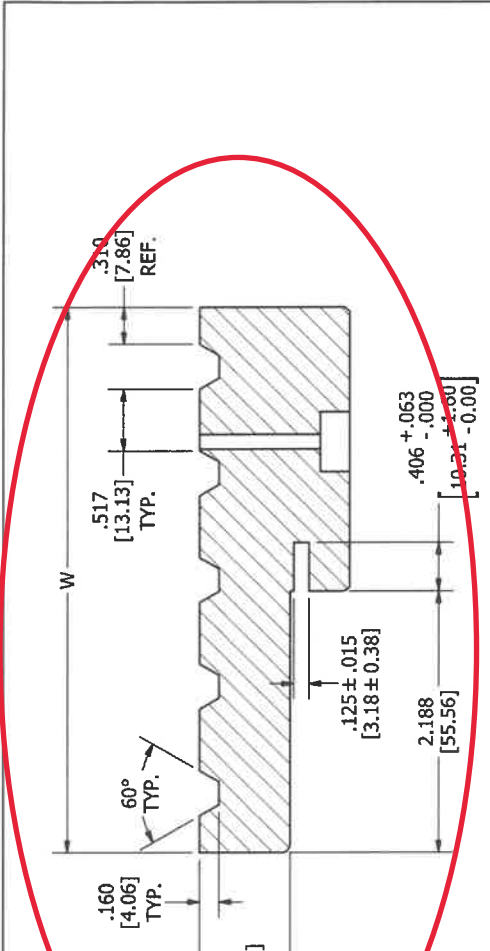
**SECTION B-B
TYPICAL THRESHOLD & SIDELITE PANEL ATTACHMENT**



TYPICAL THRESHOLD PROFILES



©2017 Our Continuing program of product improvement makes specifications, design and product detail subject to change without notice.



SECTION B-B

PART NUMBER	DESCRIPTION	L	W
74399312546680351232	4-9/16" x 81-5/8 1-1/4" COMPOSITE PRIMED JAMB LHIS-BLK	81.875 [2079.63]	4.563 [115.89]
74399312546680371232	4-9/16" x 81-5/8 1-1/4" COMPOSITE PRIMED JAMB RHIS-BLK	81.875 [2079.63]	4.563 [115.89]
74399312546297351232	4-9/16" x 97-5/8" 1-1/4" COMPOSITE PRIMED JAMB LHIS-BLK	97.875 [2486.03]	4.563 [115.89]
74399312546297371232	4-9/16" x 97-5/8" 1-1/4" COMPOSITE PRIMED JAMB RHIS-BLK	97.875 [2486.03]	4.563 [115.89]
74399312553680351232	5-1/4" x 81-5/8 1-1/4" COMPOSITE PRIMED JAMB LHIS-BLK	81.875 [2079.63]	5.250 [133.35]
74399312553680371232	5-1/4" x 81-5/8 1-1/4" COMPOSITE PRIMED JAMB RHIS-BLK	81.875 [2079.63]	5.250 [133.35]
74399312553297351232	5-1/4" x 97-5/8" 1-1/4" COMPOSITE PRIMED JAMB LHIS-BLK	97.875 [2486.03]	5.250 [133.35]
74399312553297371232	5-1/4" x 97-5/8" 1-1/4" COMPOSITE PRIMED JAMB RHIS-BLK	97.875 [2486.03]	5.250 [133.35]
7439931256680351232	6-9/16" x 81-5/8 1-1/4" COMPOSITE PRIMED JAMB LHIS-BLK	81.875 [2079.63]	6.563 [166.69]
7439931256680371232	6-9/16" x 81-5/8 1-1/4" COMPOSITE PRIMED JAMB RHIS-BLK	81.875 [2079.63]	6.563 [166.69]
74399312566297351232	6-9/16" x 97-5/8" 1-1/4" COMPOSITE PRIMED JAMB LHIS-BLK	97.875 [2486.03]	6.563 [166.69]
74399312566297371232	6-9/16" x 97-5/8" 1-1/4" COMPOSITE PRIMED JAMB RHIS-BLK	97.875 [2486.03]	6.563 [166.69]

NOTE:

1. SYMBOL \odot INDICATES CRITICAL DIMENSION.
2. DIMENSIONS IN BRACKETS [XX] INDICATE METRIC mm DIMENSIONS.
3. RIGHT HAND SHOWN, LEFT HAND OPPOSITE.
4. SEE EMS# 07567 FOR DIMENSIONAL TOLERANCING.
5. NO ADDED LEAD ALLOWED, ALL LEAD LEVELS MUST BE LESS THAN 200PPM OR 0.02% AS TESTED BY ASTM D3335 (2005).

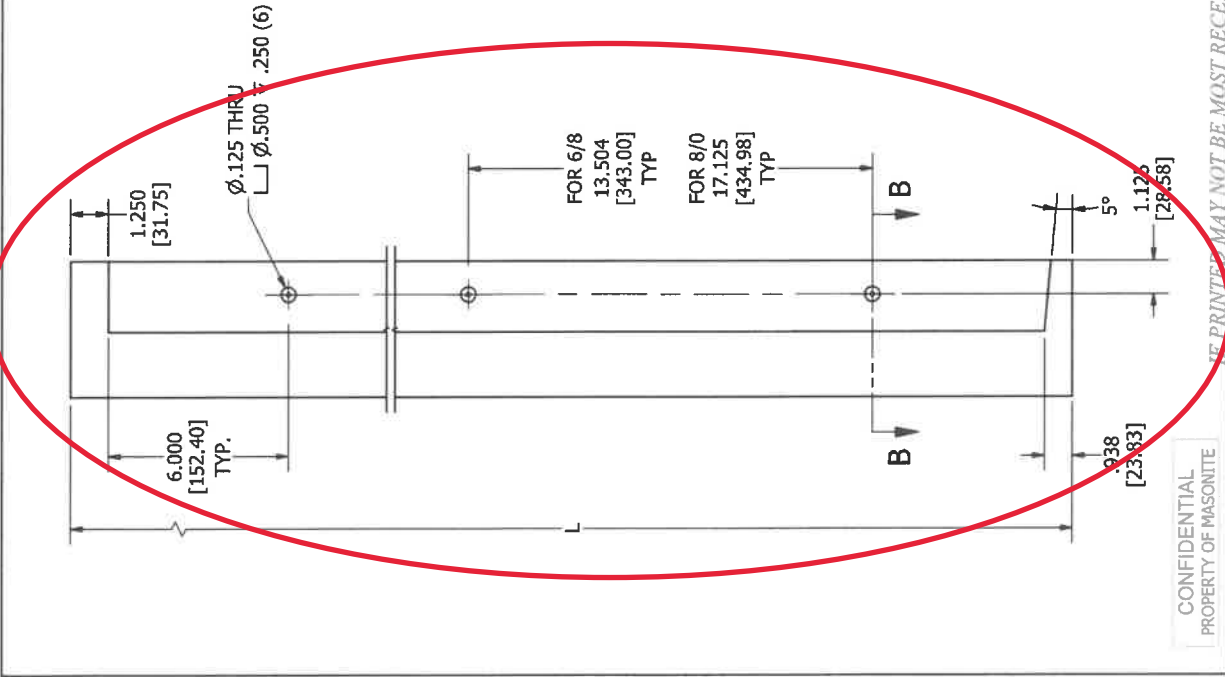
TITLE: ENTRY BLANK HEADER & JAMB-COMPOSITE WORLDWIDE		ORIGINAL PCR No.	REV: A
TOLERANCES UNLESS OTHERWISE NOTED ARE:		SCALE: NTS	DRAWN BY: 4/21/2018
FRACTION \pm 1/32"		SHEET: NTS	ETJep
DECIMAL \pm .031"		SHEET: B	2 OF 2
ANGLE \pm 1'		DRAWING No. C2030856	



DRAWING DESIGN AND OTHER DISCLOSURES ARE THE PROPERTY OF MASONITE DOOR CORPORATION. UNAUTHORIZED USE, MANUFACTURE OR REPRODUCTION, IN WHOLE OR IN PART, IS PROHIBITED.

AMERICAN TEST LAB NORTH
 DATE 12/12/23
 REPORT NO. ATLNC 0815.01-23

Keith Owen
 ATL INSPECTOR

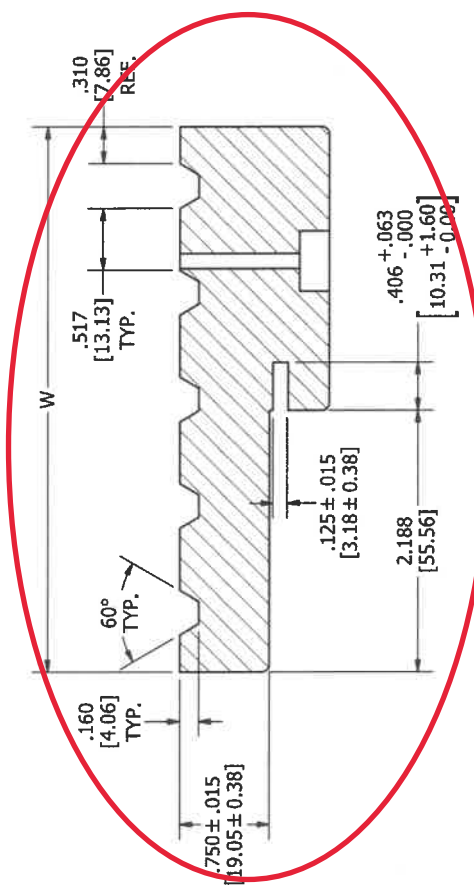
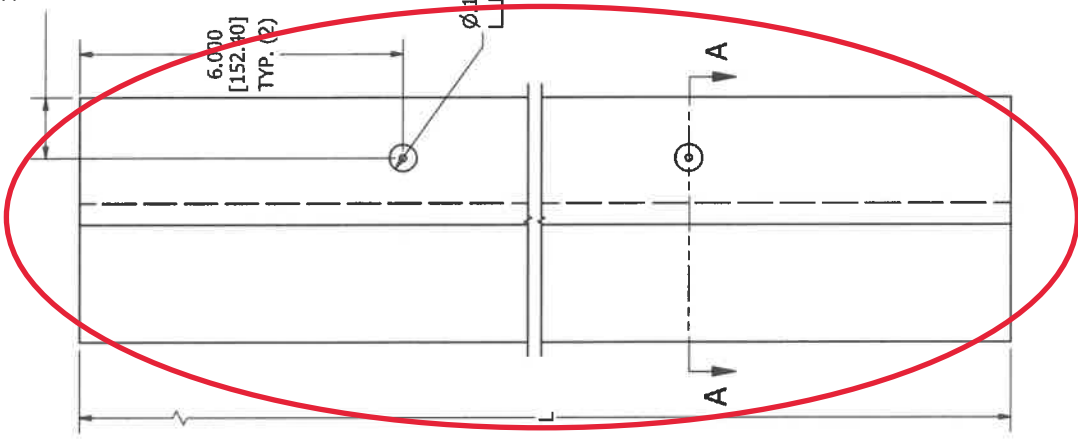


CONFIDENTIAL
 PROPERTY OF MASONITE

IF PRINTED MAY NOT BE MOST RECENT VERSION

REVISION HISTORY			
REV	DESCRIPTION	DRAWN BY	DATE
A	RELEASED	Etrepo	5/22/2018
PCR	167		
APPROVED			BK

1.125 [28.58] FOR 4-9/16" & 5-1/4"
&
2.125 [53.98] FOR 6-9/16"
TYP. (2)



SECTION A-A

PART #	DESCRIPTION	L	W
74399312546978101232	4-9/16" X 3/0 X 1-1/4" COMPOSITE PRIMED JAMB HEAD	36.000 [914.40]	4.563 [115.89]
74399312546988101232	4-9/16" X 5/0 X 1-1/4" COMPOSITE PRIMED JAMB HEAD	72.500 [1841.50]	4.563 [115.89]
74399312553978101232	5-1/4" X 3/0 X 1-1/4" COMPOSITE PRIMED JAMB HEAD	36.000 [914.40]	5.250 [133.35]
74399312553988101232	5-1/4" X 6/0 X 1-1/4" COMPOSITE PRIMED JAMB HEAD	72.500 [1841.50]	5.250 [133.35]
74399312566978101232	6-9/16" X 3/0 X 1-1/4" COMPOSITE PRIMED JAMB HEAD	36.000 [914.40]	6.563 [166.69]
74399312566988101232	6-9/16" X 5/0 X 1-1/4" COMPOSITE PRIMED JAMB HEAD	72.500 [1841.50]	6.563 [166.69]

NOTE:

1. SYMBOL Ⓢ INDICATES CRITICAL DIMENSION.
2. DIMENSIONS IN BRACKETS [XX] INDICATE METRIC mm DIMENSIONS.
3. SEE EMS# 07567 FOR DIMENSIONAL TOLERANCING.
4. NO ADDED LEAD ALLOWED. ALL LEAD LEVEL MUST BE LESS THAN 200PPM OR 0.02% AS TESTED BY ASTM D3335 (2005).

TITLE: ENTRY BLANK HEADER & JAMB- COMPOSITE WORLDWIDE		ORIGINAL PCR No.	REV: A
TOLERANCES UNLESS OTHERWISE NOTED ARE:		SCALE: NTS	DRAWN BY: Etrepo
FRACTION ± 1/32"		DRAWN: 4/21/2018	ETrepo
DECIMAL ± .031"		SHEET: B	SHEET: 1 OF 2
ANGLE ± 1°		DRAWING No. C2030856	



AMERICAN TEST LAB NORTH
DATE 12/12/23
REPORT NO. ATLNC 0815.01-23

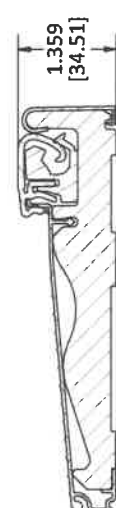
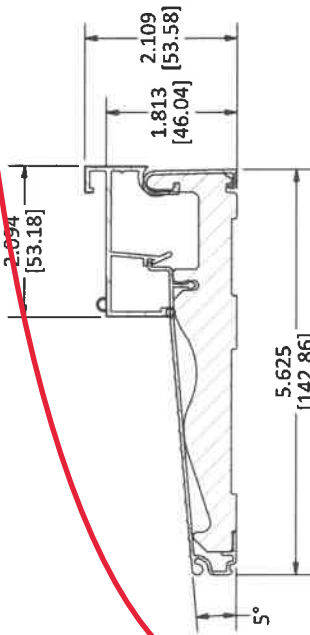
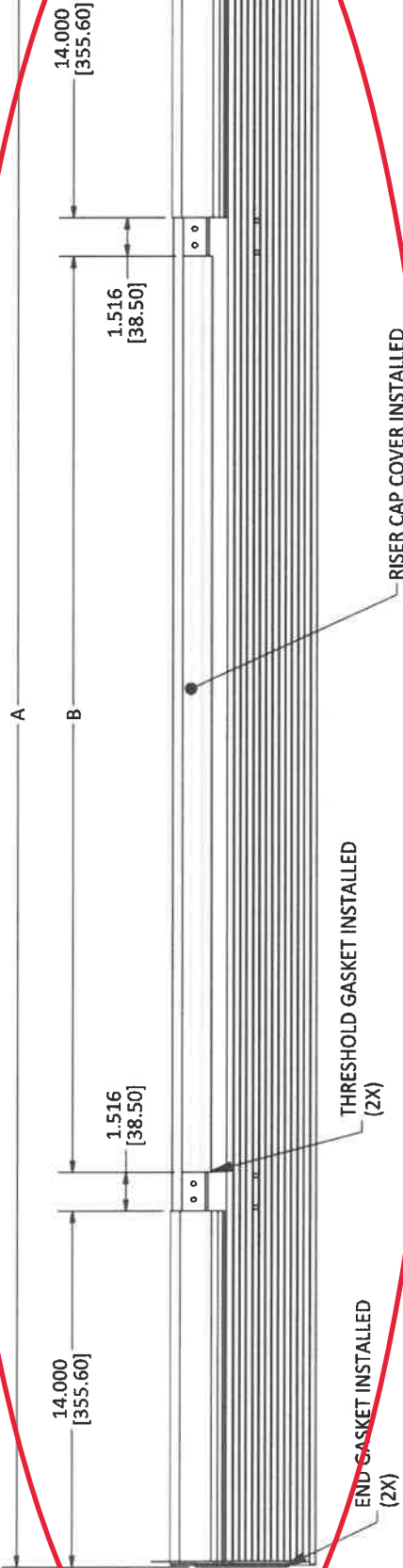
Keith Owen
ATL INSPECTOR

CONFIDENTIAL
PROPERTY OF MASONITE

IF PRINTED MAY NOT BE MOST RECENT VERSION

Keith Owen
ATL INSPECTOR

REVISION HISTORY			
REV	DESCRIPTION	PCR	DATE
A	RELEASED	653/813	08/05/2021
		ET	SM



TITLE		5-5/8" CONTINUOUS ARTICULATING SILL WITH SUBSTRATE	
ORIGINAL PCR REVISION	SCALE	SHEET	DRAWN BY
653/813	NTS	1 OF 3	EVT
		DATE	
		B	2/10/2021
		DRAWING	
			C2031231



- NOTE:
- SILL TO HAVE LINEAL SUBSTRATE FOR ABILITY TO CUT DOWN
 - DIMENSIONS IN BRACKETS [XX] INDICATE METRIC mm DIMENSIONS
 - SYMBOL ⊗ INDICATES CRITICAL DIMENSION

CONFIDENTIAL PROPERTY OF MASONITE PRINTED DRAWING MAY NOT BE MOST RECENT VERSION

Released

AMERICAN TEST LAB NORTH
 DATE 12/12/23
 REPORT NO. ATLNC 0815.01-23

Keith Owen
 ATL INSPECTOR

Part Number	Description	A	B
232273019.00	1/2-2/8-1/2 X 5-5/8 I/S BLACK CAP ARTICULATING SILL MILL FINISH W/SUB	63.000 [1600.20]	31.969 [812.01]
232273020.00	1/2-3/0-1/2 X 5-5/8 I/S BLACK CAP ARTICULATING SILL MILL FINISH W/SUB	67.000 [1701.80]	35.969 [913.61]
232283019.00	1/2-2/8-1/2 X 5-5/8 I/S BLACK CAP ARTICULATING SILL BRONZE FINISH W/SUB	63.000 [1600.20]	31.969 [812.01]
232283020.00	1/2-3/0-1/2 X 5-5/8 I/S BLACK CAP ARTICULATING SILL BRONZE FINISH W/SUB	67.000 [1701.80]	35.969 [913.61]

NOTE:
 1. DIMENSIONS IN BRACKETS [XX] INDICATE METRIC mm DIMENSIONS.
 2. SYMBOL Ⓢ INDICATES CRITICAL DIMENSION.

TITLE 5-5/8" CONTINUOUS ARTICULATING SILL WITH SUBSTRATE		ORIGINAL PCR REVISION	A
 MASONITE	TOLERANCES UNLESS OTHERWISE NOTED ARE:	SCALE	NTS
	FRACTION ± 1/32" DECIMAL ± .031" ANGLE ± 1°	SHEET	3 OF 3
DRAWING DESIGN AND OTHER DISCLOSURES ARE THE PROPERTY OF MASONITE DOOR CORPORATION. UNAUTHORIZED USE, MANUFACTURE OR REPRODUCTION (IN WHOLE OR IN PART) IS PROHIBITED.		SHEET DATE	2/10/2021
		DRAWING	C2031231

CONFIDENTIAL PROPERTY OF MASONITE PRINTED DRAWING MAY NOT BE MOST RECENT VERSION

Released

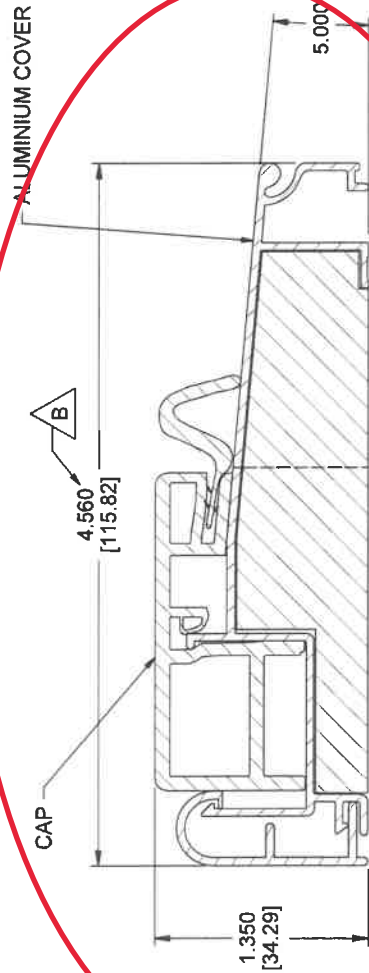
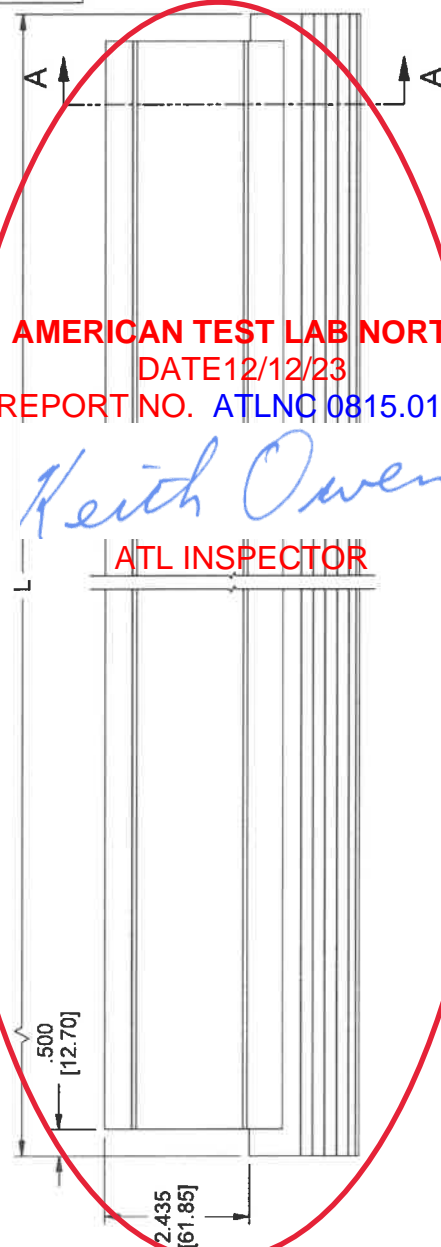
Released

REVISION HISTORY

REV	DESCRIPTION	PCR	DRW BY	DATE	CHK BY
A	RELEASE	9769	EVT	03/09/18	BK
B	OVERALL WIDTH DIM REVISED, SILL NAME CHANGED TO Z-SERIES	591	EVT	11/08/19	BK

AMERICAN TEST LAB NORTH
 DATE 12/12/23
 REPORT NO. ATLNC 0815.01-23

Keith Owen
 ATL INSPECTOR



PART #	SIZE	DIM. L	ALUMINIUM COVER & CAP FINISH	DESCRIPTION
23161526.000	2/5	30.000 [762.00]	MILL & WOODGRAIN	2/6 X 4-9/16 Z SILL
23162526.000	2/5	30.000 [762.00]	BRONZE & WOODGRAIN	2/6 X 4-9/16 Z SILL
23163526.000	2/5	30.000 [762.00]	MILL & BLACK	2/6 X 4-9/16 Z SILL
23164526.000	2/5	30.000 [762.00]	BRONZE & BLACK	2/6 X 4-9/16 Z SILL
23165228.000	2/8	32.000 [812.80]	MILL & WOODGRAIN	2/8 X 4-9/16 Z SILL
23165228.000	2/8	32.000 [812.80]	BRONZE & WOODGRAIN	2/8 X 4-9/16 Z SILL
23165228.000	2/8	32.000 [812.80]	MILL & BLACK	2/8 X 4-9/16 Z SILL
23165228.000	2/8	32.000 [812.80]	BRONZE & BLACK	2/8 X 4-9/16 Z SILL
2316530.000	3/0	36.000 [914.40]	MILL & WOODGRAIN	3/0 X 4-9/16 Z SILL
2316530.000	3/0	36.000 [914.40]	BRONZE & WOODGRAIN	3/0 X 4-9/16 Z SILL
2316530.000	3/0	36.000 [914.40]	MILL & BLACK	3/0 X 4-9/16 Z SILL
2316530.000	3/0	36.000 [914.40]	BRONZE & BLACK	3/0 X 4-9/16 Z SILL
2316572.000	6/0	72.500 [1841.50]	MILL & WOODGRAIN	6/0 X 4-9/16 Z SILL
2316572.000	6/0	72.500 [1841.50]	BRONZE & WOODGRAIN	6/0 X 4-9/16 Z SILL
2316572.000	6/0	72.500 [1841.50]	MILL & BLACK	6/0 X 4-9/16 Z SILL
2316572.000	6/0	72.500 [1841.50]	BRONZE & BLACK	6/0 X 4-9/16 Z SILL

NOTE:

- SUBSTRATE TO BE CONTINUOUS AND FASTENED IN PLACE. CAVITY SUBSTRATE WITH SOLID BLOCKS (MIN 3") ON ENDS IS ACCEPTABLE ON SILLS 36" AND SMALLER.
- BRONZE WEATHER-STRIP AND MATCHING SIDELITE PANELS SPACERS TO BE INSTALLED WHERE APPLICABLE.
- SYMBOL (C) INDICATES CRITICAL DIMENSION
- DIMENSIONS IN BRACKETS [XX] INDICATE METRIC DIMENSIONS

TITLE: Z-SERIES OUTSWING BUMPER SILL

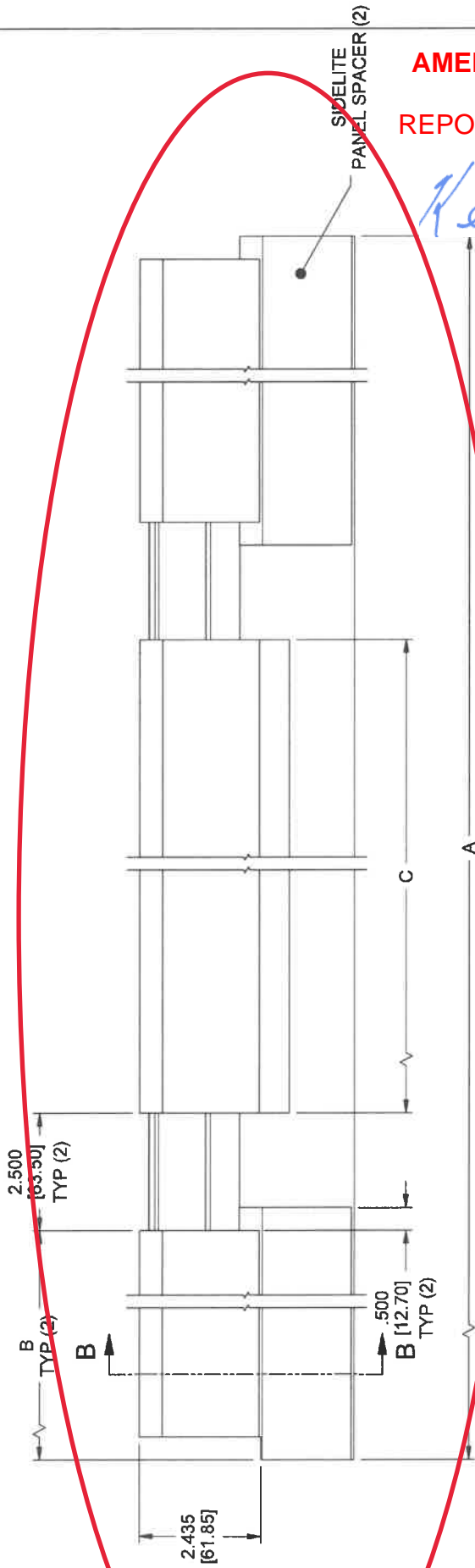
ORIGINAL PCN NO.: 9769	REV: B
SCALE: NTS	DRAWN BY: EVT
SHEET SIZE: B	DRAWING NO.: C2030805
TOLERANCES UNLESS OTHERWISE NOTED ARE: FRACTION ± 1/32" DECIMAL ± .031" ANGLE ± 1°	SHEET: 1 OF 3



CONFIDENTIAL
 PROPERTY OF MASONITE

IF PRINTED MAY NOT BE MOST RECENT VERSION

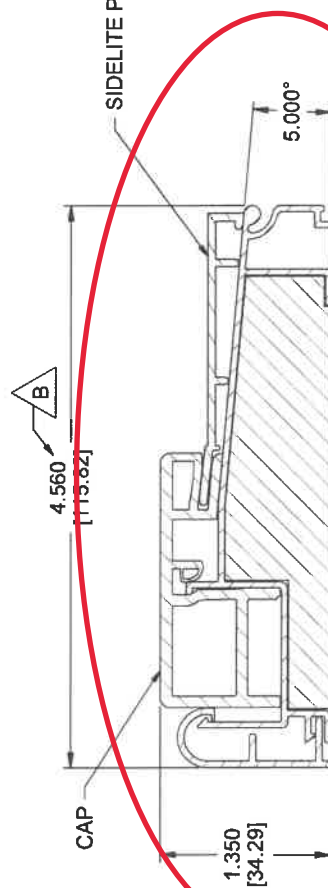
Released



AMERICAN TEST LAB NORTH
 DATE 12/12/23
 REPORT NO. ATLNC 0815.01-23

Keith Owen

ATL INSPECTOR



SECTION B-B

TITLE: Z-SERIES OUTSWING BUMPER SILL

ORIGINAL PCN NO.: 9769	REV: B
SCALE: NTS	DRAWN BY: EVT
SHEET: B	SHEET: 2 OF 3
DRAWING NO.: C2030805	
TOLERANCES UNLESS OTHERWISE NOTED ARE: FRACTION ± 1/32" DECIMAL ± .031" ANGLE ± 1°	
DRAWING DESIGN AND OTHER DISCLOSURES ARE THE PROPERTY OF MASONITE DOOR CORPORATION. UNAUTHORIZED USE, MANUFACTURE OR REPRODUCTION, IN WHOLE OR IN PART, IS PROHIBITED.	



CONFIDENTIAL
 PROPERTY OF MASONITE

IF PRINTED MAY NOT BE MOST RECENT VERSION

Keith Owen

ATL INSPECTOR

PART #	DIM. A	DIM. B	DIM. C	ALUMINUM CAP & CAP FINISH	DESCRIPTION
231613023.00	59.000 [1498.60]	11.500 [292.10]	31.000 [787.40]	MILL & WOODGRAIN	1/0-2/8-1/0 X 4-9/16 Z SILL W/ SUB
231623023.00	59.000 [1498.60]	11.500 [292.10]	31.000 [787.40]	BRONZE & WOODGRAIN	1/0-2/8-1/0 X 4-9/16 Z SILL W/ SUB
231633023.00	59.000 [1498.60]	11.500 [292.10]	31.000 [787.40]	MILL & BLACK	1/0-2/8-1/0 X 4-9/16 Z SILL W/ SUB
231643023.00	59.000 [1498.60]	11.500 [292.10]	31.000 [787.40]	BRONZE & BLACK	1/0-2/8-1/0 X 4-9/16 Z SILL W/ SUB
231613014.00	63.000 [1600.20]	11.500 [292.10]	35.000 [889.00]	MILL & WOODGRAIN	1/0-3/0-1/0 X 4-9/16 Z SILL W/ SUB
231623014.00	63.000 [1600.20]	11.500 [292.10]	35.000 [889.00]	BRONZE & WOODGRAIN	1/0-3/0-1/0 X 4-9/16 Z SILL W/ SUB
231633014.00	63.000 [1600.20]	11.500 [292.10]	35.000 [889.00]	MILL & BLACK	1/0-3/0-1/0 X 4-9/16 Z SILL W/ SUB
231643014.00	63.000 [1600.20]	11.500 [292.10]	35.000 [889.00]	BRONZE & BLACK	1/0-3/0-1/0 X 4-9/16 Z SILL W/ SUB
231613019.00	63.000 [1600.20]	13.500 [342.90]	31.000 [787.40]	MILL & WOODGRAIN	1/2-2/8-1/2 X 4-9/16 Z SILL W/ SUB
231623019.00	63.000 [1600.20]	13.500 [342.90]	31.000 [787.40]	BRONZE & WOODGRAIN	1/2-2/8-1/2 X 4-9/16 Z SILL W/ SUB
231633019.00	63.000 [1600.20]	13.500 [342.90]	31.000 [787.40]	MILL & BLACK	1/2-2/8-1/2 X 4-9/16 Z SILL W/ SUB
231643019.00	63.000 [1600.20]	13.500 [342.90]	31.000 [787.40]	BRONZE & BLACK	1/2-2/8-1/2 X 4-9/16 Z SILL W/ SUB
231613020.00	67.000 [1701.80]	13.500 [342.90]	35.000 [889.00]	MILL & WOODGRAIN	1/2-3/0-1/2 X 4-9/16 Z SILL W/ SUB
231623020.00	67.000 [1701.80]	13.500 [342.90]	35.000 [889.00]	BRONZE & WOODGRAIN	1/2-3/0-1/2 X 4-9/16 Z SILL W/ SUB
231633020.00	67.000 [1701.80]	13.500 [342.90]	35.000 [889.00]	MILL & BLACK	1/2-3/0-1/2 X 4-9/16 Z SILL W/ SUB
231643020.00	67.000 [1701.80]	13.500 [342.90]	35.000 [889.00]	BRONZE & BLACK	1/2-3/0-1/2 X 4-9/16 Z SILL W/ SUB

TITLE: Z-SERIES OUTSWING BUMPER SILL

ORIGINAL PCN NO.: 9769
 SCALE: NTS
 SHEET SIZE: B
 REV: B
 DRAWN BY: 01/23/18
 EVT
 SHEET: 3 OF 3
 DRAWING NO.: C2030805

TOLERANCES UNLESS OTHERWISE NOTED ARE:
 FRACTION ± 1/32"
 DECIMAL ± .031"
 ANGLE ± 1°

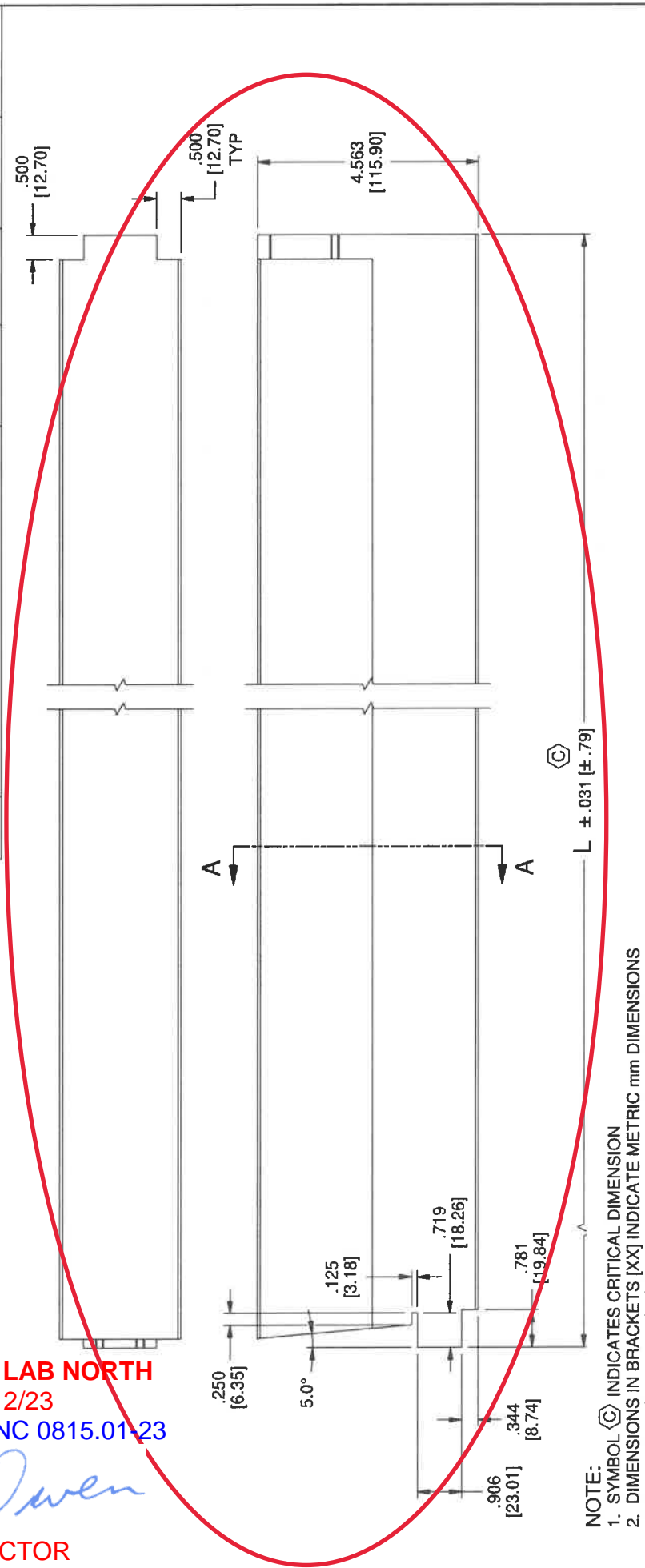


DRAWING DESIGN AND OTHER DISCLOSURES ARE THE PROPERTY OF MASONITE DOOR CORPORATION. UNAUTHORIZED USE, MANUFACTURE OR REPRODUCTION, IN WHOLE OR IN PART, IS PROHIBITED.

IF PRINTED MAY NOT BE MOST RECENT VERSION

REVISION HISTORY

REV	DESCRIPTION	PCR	DRAWN BY	DATE	APPROVED
D	DIMENSION 79.612 WAS 79.532 DIMENSION 95.612 WAS 95.532 SEE SHEET 4. NOTE 6 & 7 ADDED.	591	EVT	11/08/19	BK
E	CHANGED TOLERANCE ON SHEET 4 FROM +/- .015 TO +/- .031. CHANGED SHEET TITLES.	1191	DB	07/12/2022	SM
F	SHEET 2 MOVED TO C2031447; SHEET 3 MOVED TO C2031448.	1239	DB	10/04/2022	SM



NOTE:

1. SYMBOL C INDICATES CRITICAL DIMENSION
2. DIMENSIONS IN BRACKETS [XX] INDICATE METRIC mm DIMENSIONS
3. BREAK ALL SHARP EDGES .016 UNLESS OTHERWISE SPECIFIED
4. REFER TO EMS#07567 FOR COMPLETE SPECIFICATIONS AND DIMENSIONAL TOLERANCING
5. REFER TO EMS#072401 FOR WHITE COLOR SPECIFICATION
6. MATERIAL: RIGID POLY-FIBER FORMULATION WITH CLOSED CELLULAR STRUCTURE (WITH ALUMINUM REINFORCEMENT AS SHOWN)
7. TEXTURE: MULL POSTS TO BE OAK GRAIN TAN COLOR

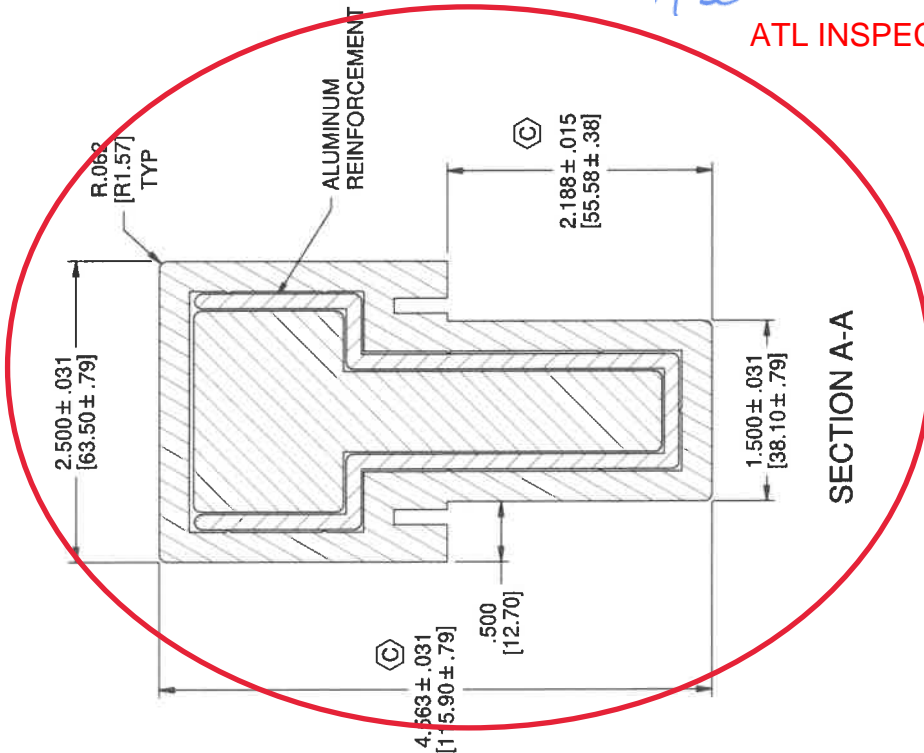
CONFIDENTIAL PROPERTY OF MASONITE PRINTED DRAWING MAY NOT BE MOST RECENT VERSION

AMERICAN TEST LAB NORTH
 DATE 12/12/23
 REPORT NO. ATLNC 0815.01.23

Keith Owen
 ATL INSPECTOR

TITLE INSWING BLANK MULLION - 2 1/2" THICK ENTRY		ORIGINAL PCR REVISION	
		SCALE	9405
		SHEET	1 OF 2
TOLERANCES UNLESS OTHERWISE NOTED ARE:		DRAWN BY	JL
FRACTION ± 1/32"		SHEET SIZE	B
DECIMAL ± .031"		DATE	5/13/2016
ANGLE ± 1°		DRAWING	C2030321
DRAWING DESIGN AND OTHER DISCLOSURES ARE THE PROPERTY OF MASONITE DOOR CORPORATION. UNAUTHORIZED USE, MANUFACTURE OR REPRODUCTION (IN WHOLE OR IN PART) IS PROHIBITED.			

Released



INSWING MULLION		L
PART NUMBER	DESCRIPTION	
747444000469860010	4-9/16" x 6/8 SMOOTH PRIMED WHITE REINFORCED COMPOSITE MULL	80.344 [2040.73]
747444000469870010	4-9/16" x 8/0 SMOOTH PRIMED WHITE REINFORCED COMPOSITE MULL	96.344 [2447.13]
747544000469860010	4-9/16" x 6/8 TEXTURED REINFORCED COMPOSITE MULL	80.344 [2040.73]
747544000469870010	4-9/16" x 8/0 TEXTURED REINFORCED COMPOSITE MULL	96.344 [2447.13]

AMERICAN TEST LAB NORTH
DATE 12/12/23
REPORT NO. ATLNC 0815.01-23

Keith Owen
ATL INSPECTOR

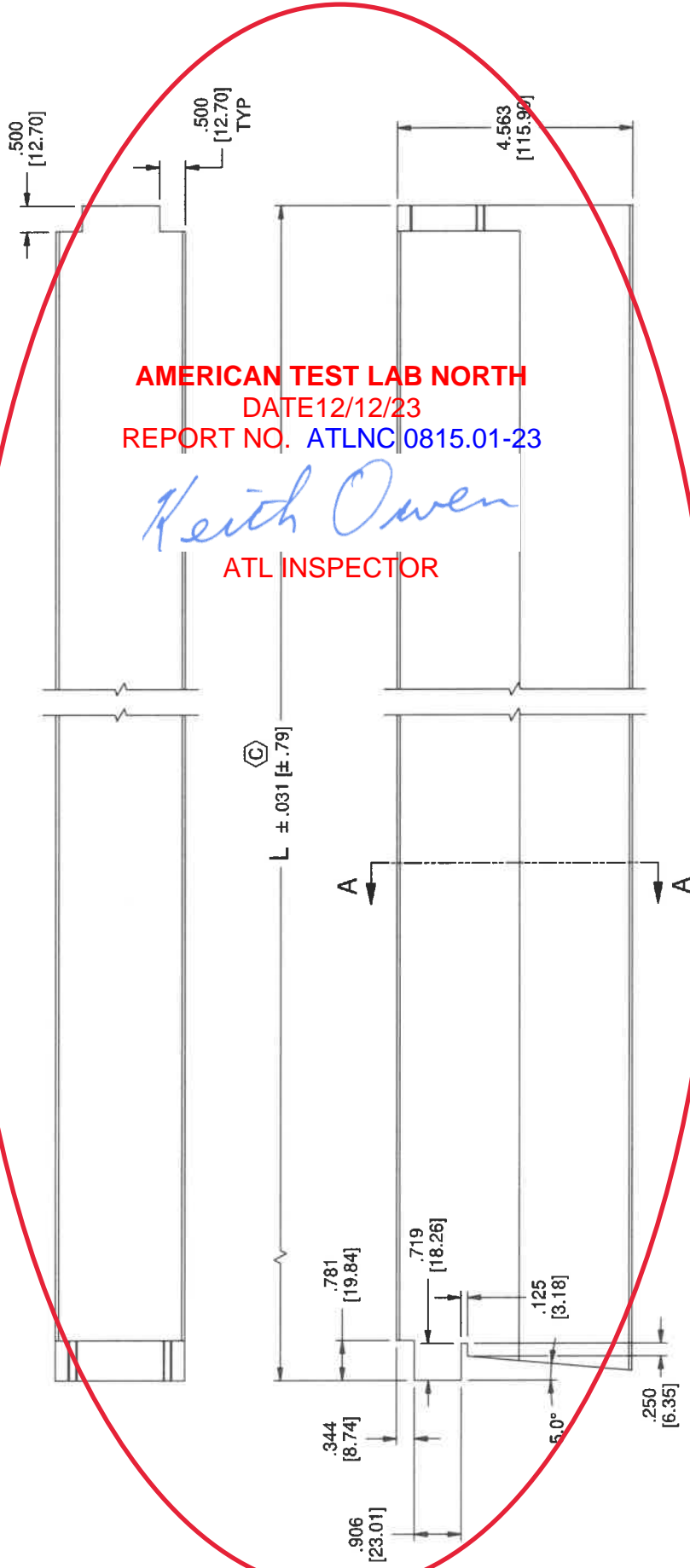
MASONITE <small>DRAWING DESIGN AND OTHER DISCLOSURES ARE THE PROPERTY OF MASONITE DOOR CORPORATION. UNAUTHORIZED USE, MANUFACTURE OR REPRODUCTION (IN WHOLE OR IN PART) IS PROHIBITED.</small>	TITLE INSWING BLANK MULLION - 2 1/2" THICK ENTRY		ORIGINAL PER REVISION 9405 F	
	TOLERANCES UNLESS OTHERWISE NOTED ARE: FRACTION ± 1/32" DECIMAL ± .031" ANGLE ± 1°	SCALE NTS	SHEET 2 OF 2	DRAWN BY JL
	SHEET SIZE B	DATE 5/13/2016	DRAWING	
	C2030321			

CONFIDENTIAL PROPERTY OF MASONITE PRINTED DRAWING MAY NOT BE MOST RECENT VERSION

Released

REVISION HISTORY

REV	DESCRIPTION	PCR	DRAWN BY	DATE	APPROVED
A	RELEASED	1239	DB	10/04/2022	SM



AMERICAN TEST LAB NORTH
 DATE 12/12/23
 REPORT NO. ATLNC 0815.01-23

Keith Owen
 ATL INSPECTOR

NOTE:

1. SYMBOL \odot INDICATES CRITICAL DIMENSION
2. DIMENSIONS IN BRACKETS [XX] INDICATE METRIC DIMENSIONS
3. BREAK ALL SHARP EDGES .016 UNLESS OTHERWISE SPECIFIED
4. REFER TO EMS#07567 FOR COMPLETE SPECIFICATIONS AND DIMENSIONAL TOLERANCING
5. REFER TO EMS#072401 FOR WHITE COLOR SPECIFICATION
6. MATERIAL: RIGID POLY-FIBER FORMULATION WITH CLOSED CELLULAR STRUCTURE (WITH ALUMINUM REINFORCEMENT AS SHOWN)
7. TEXTURE: MULL POSTS TO BE OAK GRAIN TAN COLOR

CONFIDENTIAL PROPERTY OF MASONITE PRINTED DRAWING MAY NOT BE MOST RECENT VERSION

TITLE OUTSWING BLANK MULLION FOR Z-SERIES - 2 1/2" THICK ENTRY

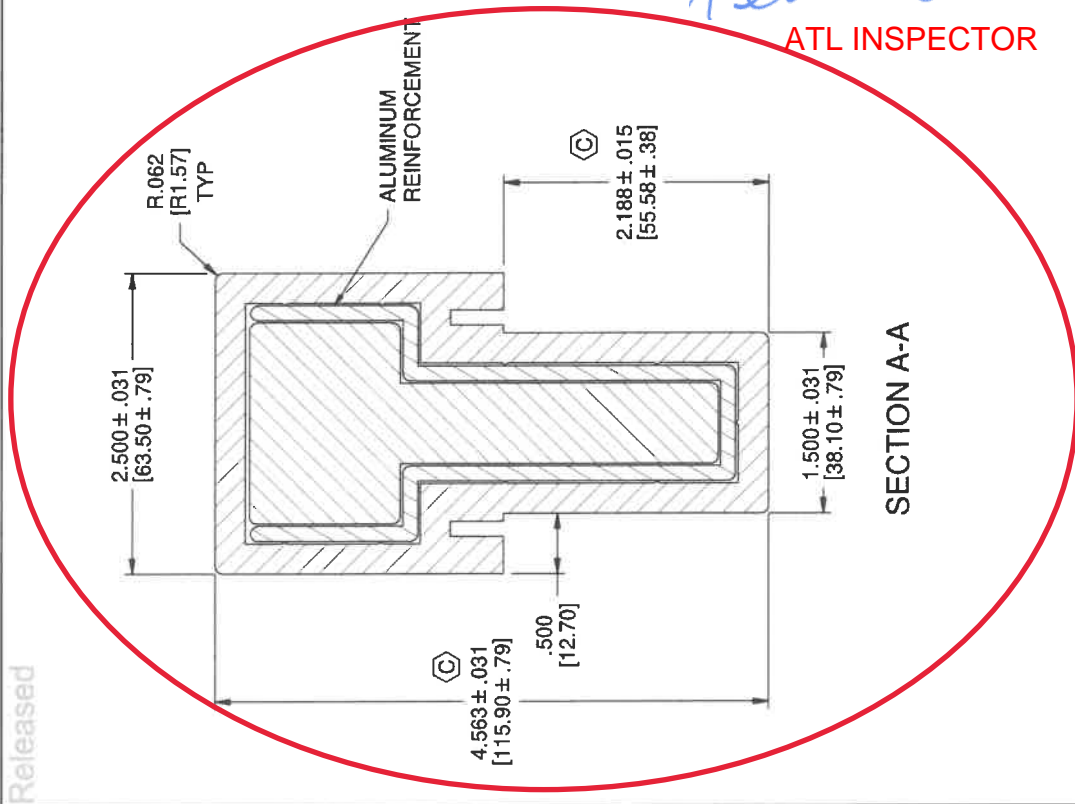


TOLERANCES UNLESS OTHERWISE NOTED ARE:
 FRACTION ± 1/32"
 DECIMAL ± .031"
 ANGLE ± 1°

DRAWING DESIGN AND OTHER DISCLOSURES ARE THE PROPERTY OF MASONITE DOOR CORPORATION. UNAUTHORIZED USE, MANUFACTURE OR REPRODUCTION (IN WHOLE OR IN PART) IS PROHIBITED.

ORIGINAL PER REVISION	SCALE	SHEET	DRAWN BY
1239	NTS	1 OF 2	DB
		SHEET SIZE	DATE
		B	9/30/2022
		DRAWING	C2031448

Released



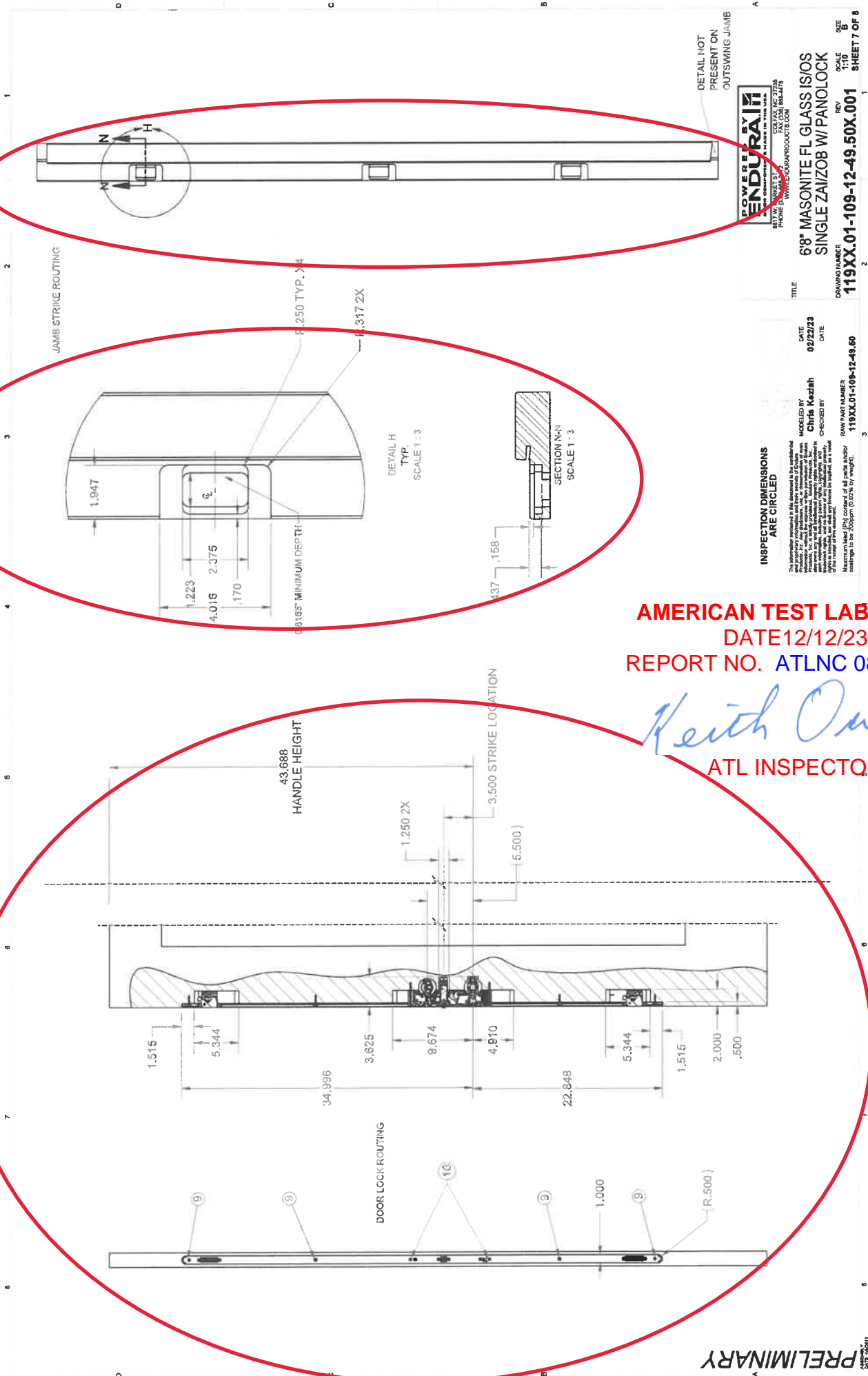
OUTSWING MULLION FOR Z-SERIES SILL		L
PART NUMBER	DESCRIPTION	
74744400046986221211	4-9/16" x 8/8 SMOOTH PRIMED WHITE REINFORCED COMPOSITE MULL OUT-SWING Z	79.612 [2022.14]
74744400046987221211	4-9/16" x 8/0 SMOOTH PRIMED WHITE REINFORCED COMPOSITE MULL OUT-SWING Z	95.612 [2428.54]
74754400046986221211	4-9/16" x 8/8 TEXTURED REINFORCED COMPOSITE MULL OUT-SWING Z	79.612 [2022.14]
74754400046987221211	4-9/16" x 8/0 TEXTURED REINFORCED COMPOSITE MULL OUT-SWING Z	95.612 [2428.54]

AMERICAN TEST LAB NORTH
DATE 12/12/23
REPORT NO. ATLNC 0815.01-23

Keith Owen
ATL INSPECTOR

	TITLE OUTSWING BLANK MULLION FOR Z-SERIES - 2 1/2" THICK ENTRY		ORIGINAL PCR REVISION A
	SCALE NTS	SHEET 2 OF 2	DRAWN BY DB
TOLERANCES UNLESS OTHERWISE NOTED ARE:		SHEET SIZE B	DATE 9/30/2022
FRACTION ± 1/32" DECIMAL ± .031" ANGLE ± 1°		DRAWING	
TOLERANCES UNLESS OTHERWISE NOTED ARE: DRAWING DESIGN AND OTHER DISCLOSURES ARE THE PROPERTY OF MASONITE DOOR CORPORATION. UNAUTHORIZED USE, MANUFACTURE OR REPRODUCTION (IN WHOLE OR IN PART) IS PROHIBITED.		C2031448	

CONFIDENTIAL PROPERTY OF MASONITE PRINTED DRAWING MAY NOT BE MOST RECENT VERSION



AMERICAN TEST LAB NORTH
DATE 12/12/23
REPORT NO. ATLNC 0815.01-23

Keith Owen
ATL INSPECTOR

DETAIL NOT PRESENT ON OUTSWING JAMB

POWER UP ENDURAM
INDUSTRIAL PRODUCTS CO., INC.
1875 W. MARKET ST. SUITE 1000
MILWAUKEE, WI 53224
PHONE (414) 383-1478

**6" MASONITE FL GLASS IS/O'S
SINGLE ZAIZOB W/ PANOLCK**

SCALE 1:10
SIZE B

REV 119XX.01-109-12-49.50X.001

DRAWING NUMBER 119XX.01-109-12-49.50

DATE 02/23/23

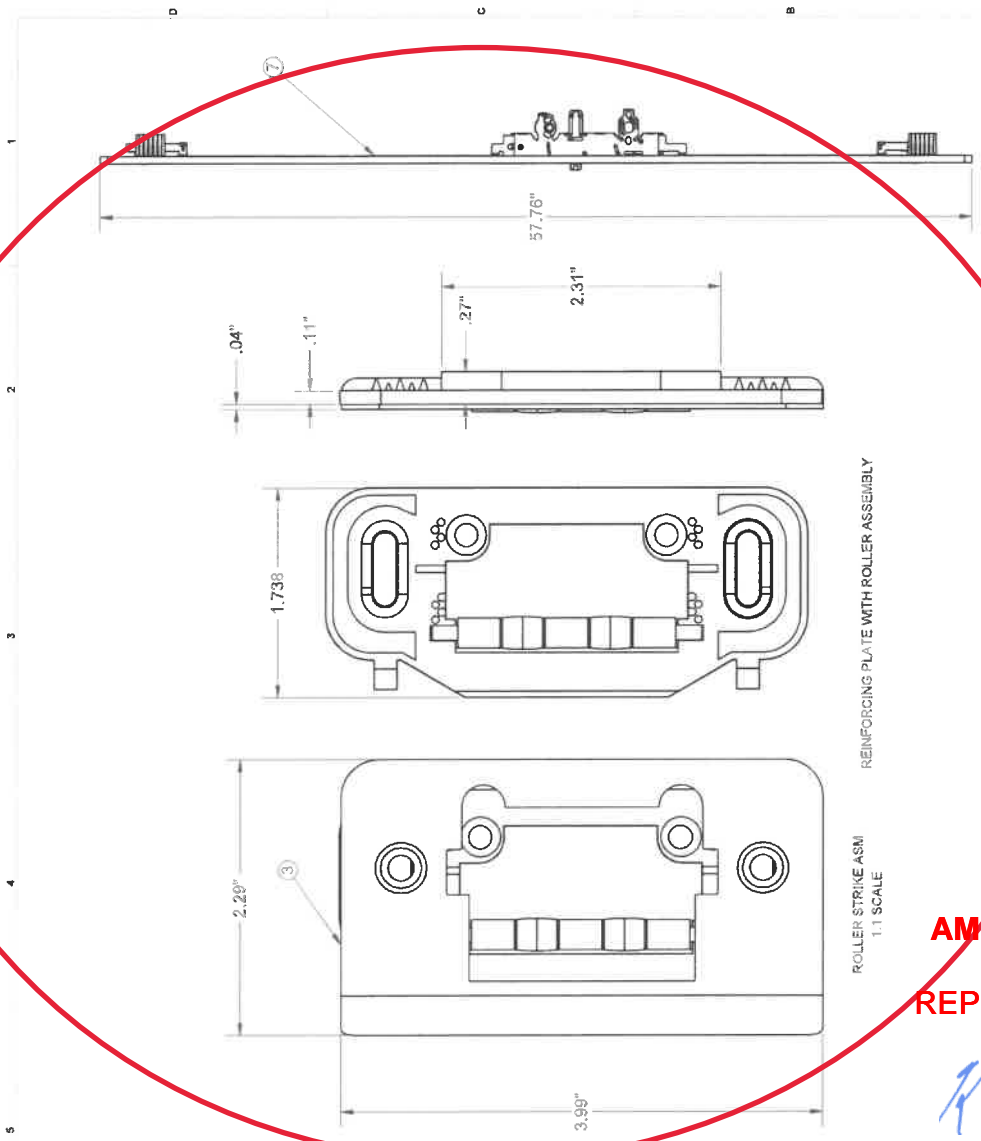
MODELED BY Chris Koziah

CHECKED BY

DATE 11/03/21

SCALE 1:10

119XX.01-109-12-49.50



ROLLER STRIKE ASSEMBLY
1:1 SCALE

REINFORCING PLATE WITH ROLLER ASSEMBLY
1:1 SCALE

ENDURAM
 403 W. MARKET ST. SUITE 100
 PHONE: 813.984.8272 FAX: 813.984.4178
 WWW.ENDURAMPRODUCTS.COM

**6.0" MASONITE FL GLASS IS/OS
 SINGLE ZAI/ZOB W/ PANOLOCK**

DRAWING NUMBER: **119XX.01-109-12-49.50X.001**
 REV: 1:1
 SHEETS OF 8

DATE: 02/22/23
 MODELED BY: Chris Kaziah
 CHECKED BY: [Signature]

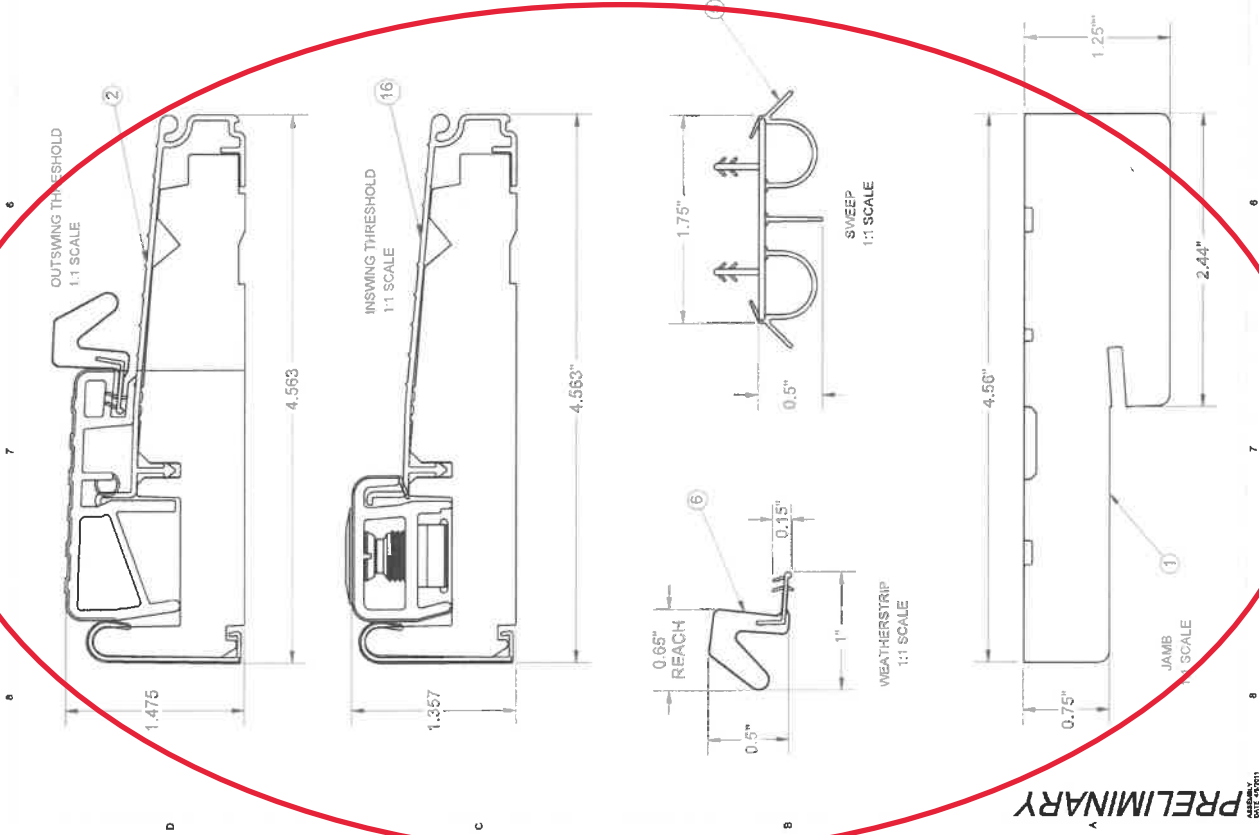
DATE: 02/22/23
 DRAWING NUMBER: 119XX.01-109-12-49.50

**INSPECTION DIMENSIONS
 ARE CIRCLED**

The information contained in this drawing is the property of Enduram. It is to be used for the specific project only. It is not to be used for any other project without the written consent of Enduram. Enduram is not responsible for any errors or omissions in this drawing. It is the responsibility of the user to verify all dimensions and specifications before use. All dimensions are in inches unless otherwise specified. All rights reserved.

AMERICAN TEST LAB NORTH
DATE 12/12/23
REPORT NO. ATLNC 0815.01-23

Keith Owen
ATL INSPECTOR



OUTSWING THRESHOLD
1:1 SCALE

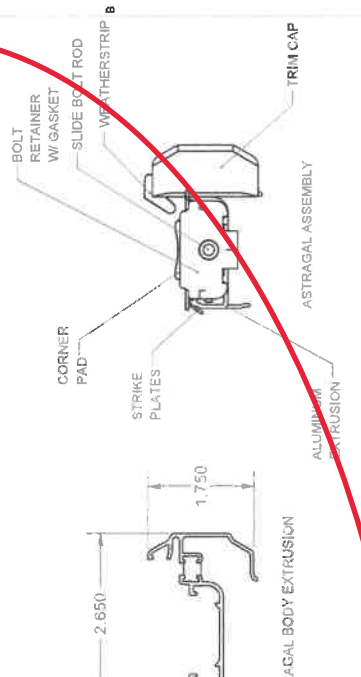
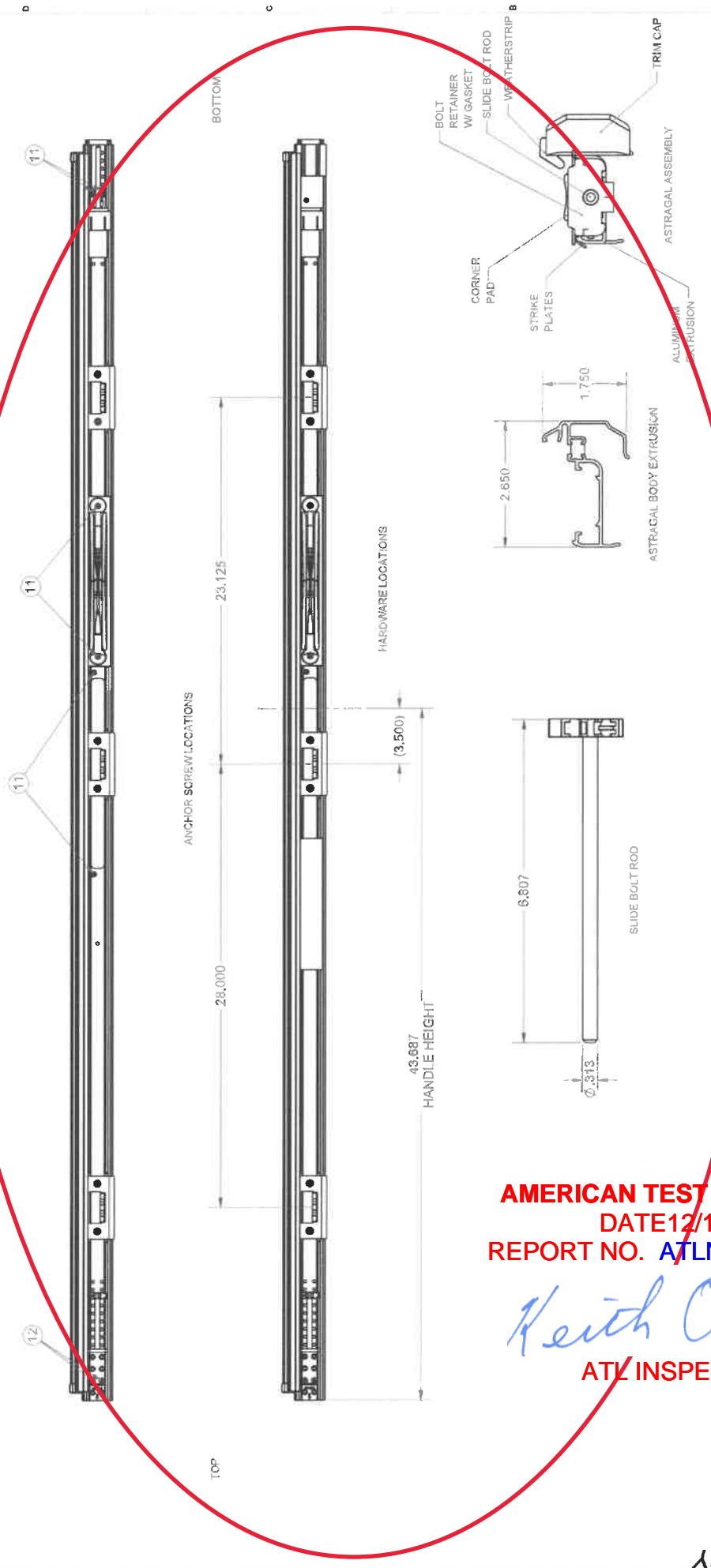
INSWING THRESHOLD
1:1 SCALE

WEATHERSTRIP
1:1 SCALE

JAMB
1:1 SCALE

PRELIMINARY

OUTSWING ASTRAGAL



POWER UP ENDURANCE
 867 W. MARKET ST. SUITE 1000
 PHONE (704) 963-8277 FAX (704) 964-4178
 WWW.POWERUPENDURANCE.COM

TITLE
 6" MASONITE FL GLASS ISIOS FRENCH
 ZAI/ ZOB W/ PANOLOCK

DRAWING NUMBER
 119XX.01-109-12-51.52X.001

REV
 B

SCALE
 1:1

SHEET 9 OF 10

INSPECTION DIMENSIONS ARE CIRCLED

The purchaser is advised that the purchaser is responsible for the accuracy of the dimensions shown on this drawing. The purchaser is advised that the purchaser is responsible for the accuracy of the dimensions shown on this drawing. The purchaser is advised that the purchaser is responsible for the accuracy of the dimensions shown on this drawing.

MODEL BY
 Chris Kaziah

DATE
 01/20/23

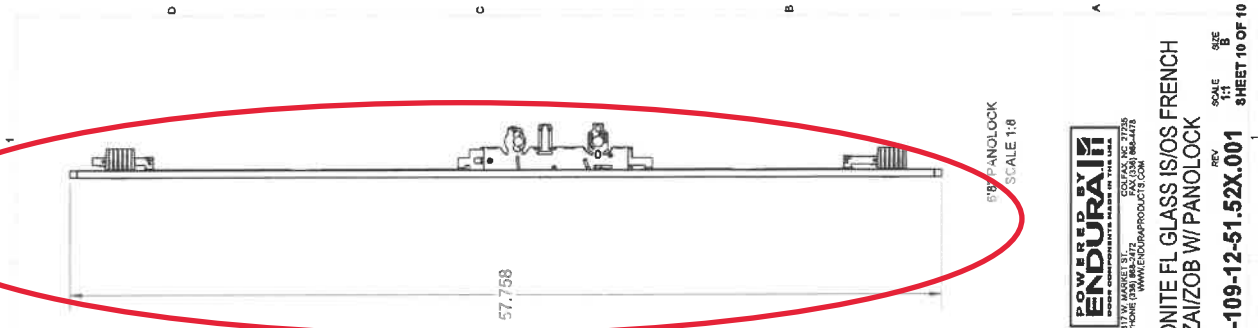
CHECKED BY
 [Signature]

RAW PART NUMBER
 119XX.01-109-12-51.52

AMERICAN TEST LAB NORTH
 DATE 12/12/23
 REPORT NO. ATLNC 0815.01-23

Keith Owen
ATL INSPECTOR

PRELIMINARY
 APPROVED DATE 12/20/23

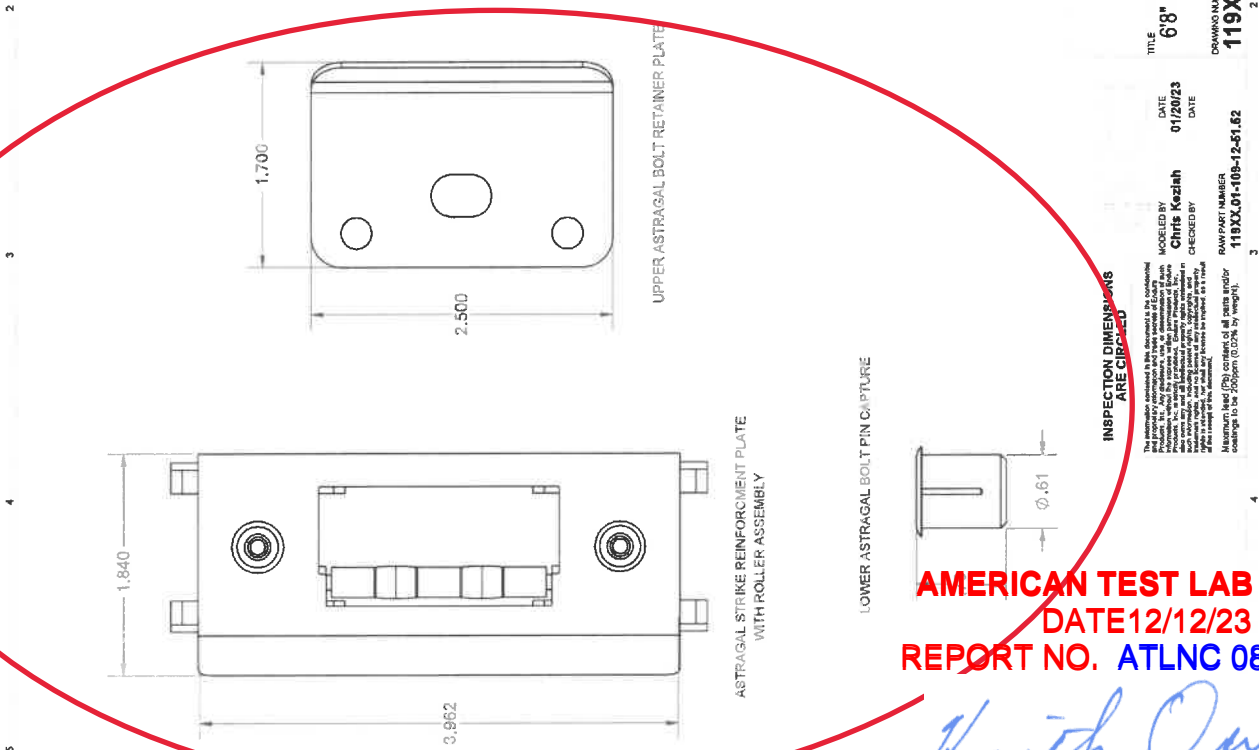


6'8" PANOLock
SCALE 1:8



ENDURAM
 101 W MARKET ST. SUITE 1000
 FAYETTEVILLE, NC 27315
 PHONE (704) 841-1177
 WWW.ENDURAMPRODUCTS.COM

TITLE: **6'8" MASONITE FL GLASS IS/OS FRENCH ZAIZOB W/ PANOLock**
 DRAWING NUMBER: **119XX.01-109-12-51.52X.001**
 SCALE: 1:1
 SHEET 10 OF 10

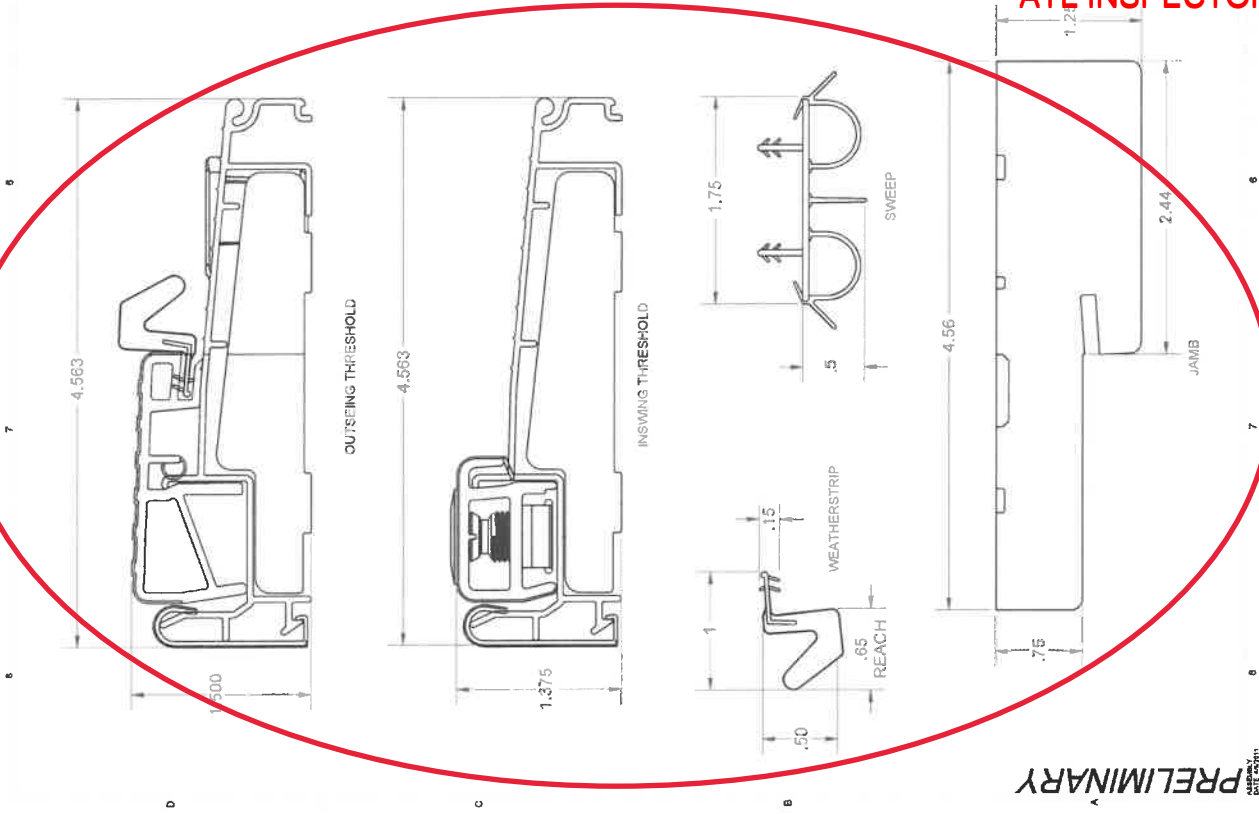


INSPECTION DIMENSIONS ARE CIRCLED

The inspector's approach to this test was in accordance with the requirements of the American Society for Testing and Materials (ASTM) F 1063. The inspector has also reviewed the manufacturer's instructions and the test results. The test results show that the product meets the requirements of the standard. The inspector has also reviewed the test results and has determined that the product meets the requirements of the standard. All test results are in accordance with the standard.

AMERICAN TEST LAB NORTH
DATE 12/12/23
REPORT NO. ATLNC 0815.01-23

Keith Owen
ATL INSPECTOR



PRELIMINARY
 DATE 12/12/23

**FINAL ASSEMBLY DETAILS
(POST-TRIM)**

REVISION HISTORY

REV	DESCRIPTION	PCR	DRAWN BY	DATE	APPROVED
G	REMOVED DISCONTINUED PART NUMBERS	1123	DB	08/03/2022	ZS/AV
H	EDITED NOTE 3 ON SHEET 1.	695	DB	10/27/2022	AAV

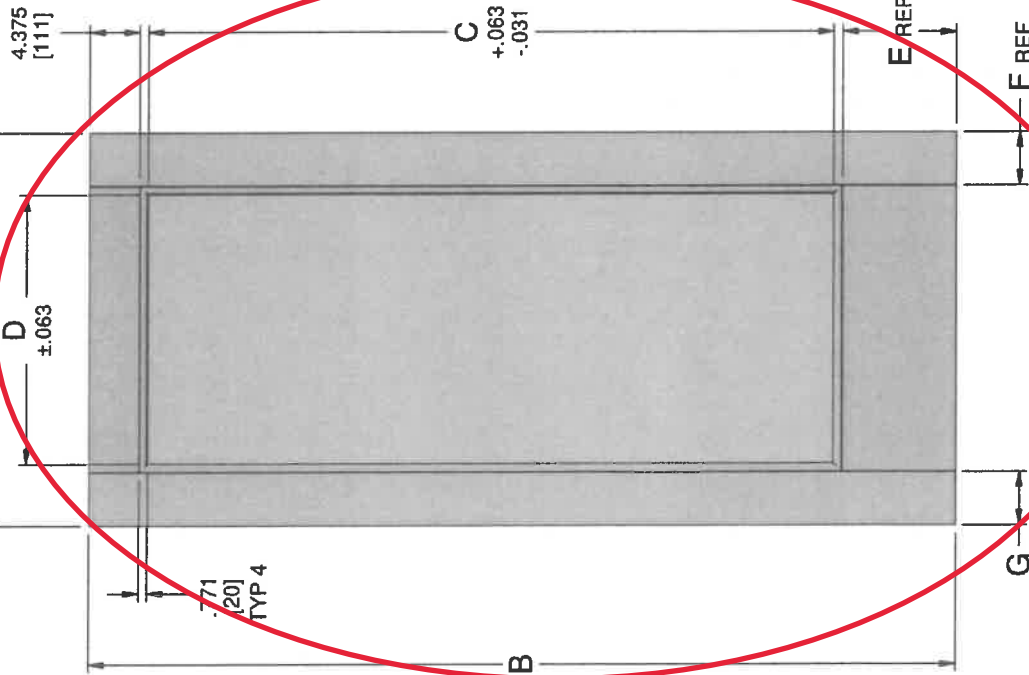


TABLE 1: MASONITE SPEC 6/8 Full Lite

Glass Width	Glass Height	Door Widths	Door Height	A	B	C	D	E (REF)	F (REF)	G
26.000	64.000	3/0	6/8	35.750	79.000	62.863	24.863	10.220	4.673	4.673
22.000	63.906	2/10	6/8	33.750	79.000	62.769	20.863	10.314	5.673	5.673
22.000	63.906	2/8	6/8	31.750	79.000	62.769	20.863	10.314	4.673	4.673
20.000	63.906	2/6	6/8	29.750	79.000	62.769	18.863	10.314	4.673	4.673
14.000	64.000	2/0	6/8	23.750	79.000	62.863	12.863	10.220	4.673	4.673

TABLE 2: MASONITE SPEC 8/0 Full Lite

Glass Width	Glass Height	Door Widths	Door Height	A	B	C	D	E (REF)	F (REF)	G
26.000	80.000	3/0	8/0	35.750	95.000	78.863	24.863	10.220	4.673	4.673
22.000	80.000	2/10	8/0	33.750	95.000	78.863	20.863	10.220	5.673	5.673
22.000	80.000	2/8	8/0	31.750	95.000	78.863	20.863	10.220	4.673	4.673
20.000	80.000	2/6	8/0	29.750	95.000	78.863	18.863	10.220	4.673	4.673
14.000	80.000	2/0	8/0	23.750	95.000	78.863	12.863	10.220	4.673	4.673

- NOTE:**
1. SHOWN AFTER TRIM - 3/0 X 6/8
 2. REFER TO EMS 72432 & 72475 FOR FIBERGLASS SLAB SPECIFICATIONS & TOLERANCES
 3. REFER TO DRAWING A1020164 FOR LAY-UP ASSEMBLY (PRE-TRIM) DETAILS AND IGU ORIENTATION REQUIREMENTS ASSOCIATED WITH PANEL ORIENTATION (EXTERIOR / INTERIOR)
 4. SEE DWG LP03-00019 FOR LOCK & HINGE PREP LOCATION PER MASONITE SPECIFICATIONS
 5. SEE DWG LP03-00008 FOR LOCK & HINGE PREP LOCATION PER PREM SPECIFICATIONS
 6. SEE DWG LP03-00029 FOR LOCK & HINGE PREP LOCATION PER PATIO SPECIFICATIONS

AMERICAN TEST LAB NORTH
DATE 12/12/23
REPORT NO. ATLNC 0815.01-23

Keith Owen
ATL INSPECTOR

TITLE: VISTA GRANDE SLABS FULL LITE FINAL ASSEMBLY DETAILS		SCALE: NTS	SHEET: 1 OF 11	DATE: 6/27/2016
TOLERANCES UNLESS OTHERWISE NOTED ARE: FRACTION ± 1/32" DECIMAL ± .031" ANGLE ± 1°		DRAWING: A1020163		
MASONITE		DRAWING: A1020163		
DRAWING DESIGN AND OTHER DISCLOSURES ARE THE PROPERTY OF MASONITE DOOR CORPORATION. UNAUTHORIZED USE, MANUFACTURE OR REPRODUCTION (IN WHOLE OR IN PART) IS PROHIBITED.				

AMERICAN TEST LAB NORTH
 DATE 12/12/23
 REPORT NO. ATLNC 0815.01-23

Keith Owen

ATL INSPECTOR

MASONITE SPEC 7/0 Full Lite

Glass Width	Glass Height	Door Widths	Door Height	A	B	C	D	E (REF)	F (REF)	G
26.000	68.000	3/0	7/0	35.750	83.000	66.863	24.863	10.220	4.673	4.673

MASONITE SPEC 7/6 Full Lite

Glass Width	Glass Height	Door Widths	Door Height	A	B	C	D	E (REF)	F (REF)	G
26.000	74.000	3/0	7/6	35.750	89.000	72.863	24.863	10.220	4.673	4.673

PREM DOOR SPEC 7/0 Full Lite

Glass Width	Glass Height	Door Widths	Door Height	A	B	C	D	E (REF)	F (REF)	G
26.000	68.000	3/0	7/0	35.750	83.250	66.863	24.863	10.470	4.673	4.673

PREM DOOR SPEC 7/6 Full Lite


Glass Width	Glass Height	Door Widths	Door Height	A	B	C	D	E (REF)	F (REF)	G
26.000	74.000	3/0	7/6	35.750	89.250	72.863	24.863	10.470	4.673	4.673

TABLE 3: PREM DOOR SPEC 6/8 Full Lite

Glass Width	Glass Height	Door Widths	Door Height	A	B	C	D	E (REF)	F (REF)	G
26.000	64.000	3/0	6/8	35.750	79.250	62.863	24.863	10.470	4.673	4.673
22.000	63.906	2/10	6/8	33.750	79.250	62.769	20.863	10.564	5.673	5.673
22.000	63.906	2/8	6/8	31.750	79.250	62.769	20.863	10.564	4.673	4.673
20.000	63.906	2/6	6/8	29.750	79.250	62.769	18.863	10.564	4.673	4.673
14.000	64.000	2/0	6/8	23.750	79.250	62.863	12.863	10.470	4.673	4.673

TABLE 4: PREM DOOR SPEC 8/0 Full Lite

Glass Width	Glass Height	Door Widths	Door Height	A	B	C	D	E (REF)	F (REF)	G
26.000	80.000	3/0	8/0	35.750	95.250	78.863	24.863	10.470	4.673	4.673
22.000	80.000	2/10	8/0	33.750	95.250	78.863	20.863	10.470	5.673	5.673
22.000	80.000	2/8	8/0	31.750	95.250	78.863	20.863	10.470	4.673	4.673
20.000	80.000	2/6	8/0	29.750	95.250	78.863	18.863	10.470	4.673	4.673
14.000	80.000	2/0	8/0	23.750	95.250	78.863	12.863	10.470	4.673	4.673

TITLE: VISTA GRANDE SLABS FULL LITE FINAL ASSEMBLY DETAILS		ORIGINAL REVISION: H
		SCALE: NTS
TOLERANCES UNLESS OTHERWISE NOTED ARE: FRACTION & 1/32" DECIMAL ±.031" ANGLE ±1°		DRAWN BY: jloimeo
DRAWING DESIGN AND OTHER DISCLOSURES ARE THE PROPERTY OF MASONITE DOOR CORPORATION. UNAUTHORIZED USE, MANUFACTURE OR REPRODUCTION (IN WHOLE OR IN PART) IS PROHIBITED.		SHEET SIZE: B
		DATE: 6/27/2016
		DRAWING: A1020163

Released

TABLE 5: PATIO 6/8 Full Lite

Door Widths	Door Height	Glass Width	Glass Height	A	B	C	D	E (REF)	F (REF)	G
3/0	6/8	26.000	64.000	34.406	76.875	62.863	24.863	8.095	3.366	4.635
2/10	6/8	22.000	63.906	32.406	76.875	62.769	20.863	8.189	5.001	5.001
2/8	6/8	22.000	63.906	30.406	76.875	62.769	20.863	8.189	3.366	4.635
2/6	6/8	20.000	63.906	28.406	76.875	62.769	18.863	8.189	3.366	4.635
2/0	6/8	14.000	64.000	22.406	76.875	62.863	12.863	8.095	3.366	4.635


TABLE 6: PATIO 8/0 Full Lite

Door Widths	Door Height	Glass Width	Glass Height	A	B	C	D	E (REF)	F (REF)	G
3/0	8/0	26.000	80.000	34.406	92.875	78.863	24.863	8.095	3.366	4.635
2/10	8/0	22.000	80.000	32.406	92.875	78.863	20.863	8.095	5.001	5.001
2/8	8/0	22.000	80.000	30.406	92.875	78.863	20.863	8.095	3.366	4.635
2/6	8/0	20.000	80.000	28.406	92.875	78.863	18.863	8.095	3.366	4.635
2/0	8/0	14.000	80.000	22.406	92.875	78.863	12.863	8.095	3.366	4.635

AMERICAN TEST LAB NORTH
 DATE 12/12/23
 REPORT NO. ATLNC 0815.01-23

Keith Owen

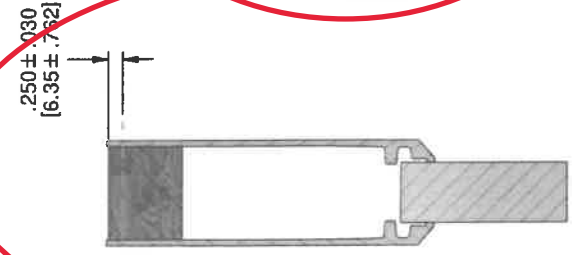
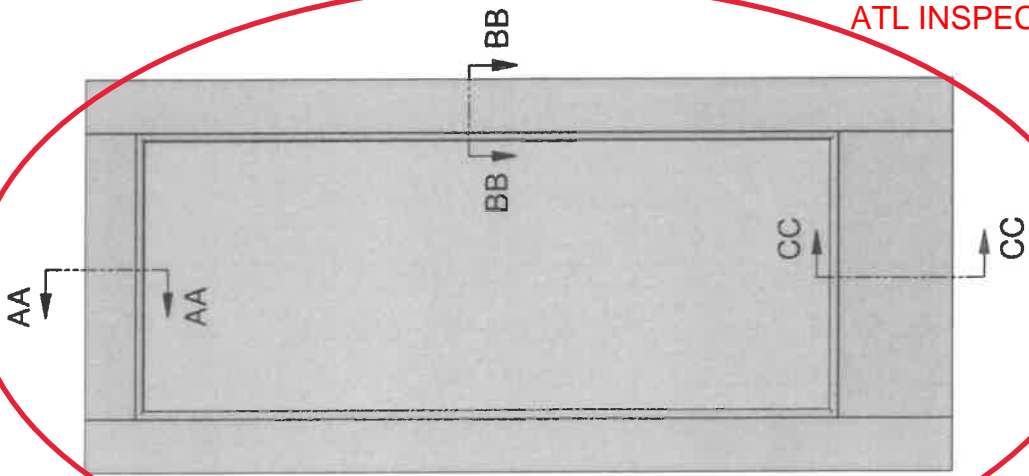
ATL INSPECTOR

TITLE: VISTA GRANDE SLABS FULL LITE FINAL ASSEMBLY DETAILS		ORIGINAL PCB REVISION: H	
TOLERANCES UNLESS OTHERWISE NOTED ARE: FRACTION ± 1/32" DECIMAL ± .031" ANGLE ± 1°		SCALE: NTS	SHEET: 3 OF 11
 <p>DRAWING DESIGN AND OTHER DISCLOSURES ARE THE PROPERTY OF MASONITE DOOR CORPORATION. UNAUTHORIZED USE, MANUFACTURE OR REPRODUCTION (IN WHOLE OR IN PART) IS PROHIBITED.</p>		SHEET SIZE: B	DATE: 6/27/2016
		DRAWING: A1020163	

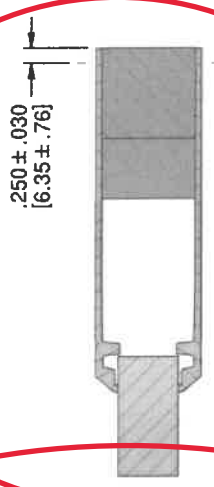
CONFIDENTIAL PROPERTY OF MASONITE PRINTED DRAWING MAY NOT BE MOST RECENT VERSION

Released

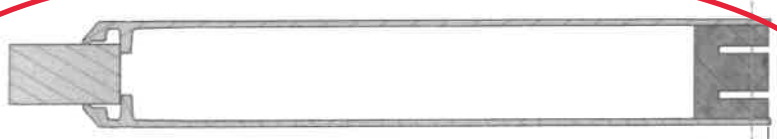
TRIM SPECIFICATIONS



SECTION AA-AA



SECTION BB-BB



SECTION CC-CC

A ± .030 SEE NOTE
[± .76] SECTION

- NOTE:
1. FOR MASONITE SPEC: A = .313
 2. FOR PREM SPEC: A = .063
 3. TRIM DIMENSIONS TAKEN FROM THE EDGE OF STILE OR RAIL, NOT THE EDGE OF THE FACING

AMERICAN TEST LAB NORTH
DATE 12/12/23
REPORT NO. ATLNC 0815.01-23

Keith Owen
ATL INSPECTOR

ORIGINAL PCH REVISION		H	
SCALE	SHEET	DRAWING	
NTS	4 OF 11	10m60	
TOLERANCES UNLESS OTHERWISE NOTED ARE:		FRACTION ± 1/32"	
DRAWING DESIGN AND OTHER DISCLOSURES ARE THE PROPERTY OF MASONITE DOOR CORPORATION. UNAUTHORIZED USE, MANUFACTURE OR REPRODUCTION (IN WHOLE OR IN PART) IS PROHIBITED.		DECIMAL ± .031"	
DRAWING		DATE	
B		6/27/2016	
TITLE VISTA GRANDE SLABS FULL LITE FINAL ASSEMBLY DETAILS			A1020163
MASONITE			

PRECISE VERSION

CONFIDENTIAL PROPERTY OF MASONITE PRINTED DRAWING MAY

Released

TABLE 7: Masonite Spec Non-Textured White New Construction 6/8 - LVL Stile

SIZE	GLASS	PART NO.	DESCRIPTION
2/0x6/8	14x64	30275932	23-3/4" x 79" S&R Non-Text FIGiz FBGL Dr FG2015 14 x 64 Insert 4-3/8" Top White
2/6x6/8	20x64	30275832	29-3/4" x 79" S&R Non-Text FIGiz FBGL Dr FG2015 20 x 64 Insert 4-3/8" Top White
2/8x6/8	22x64	30275632	31-3/4" x 79" S&R Non-Text FIGiz FBGL Dr FG2015 22 x 64 Insert 4-3/8" Top White
2/10x6/8	22x64	30275532	33-3/4" x 79" S&R Non-Text FIGiz FBGL Dr FG2015 22 x 64 Insert 4-3/8" Top White
3/0x6/8	26x64	30275332	35-3/4" x 79" S&R Non-Text FIGiz FBGL Dr FG2015 26 x 64 Insert 4-3/8" Top White

TABLE 8: Masonite Spec Non-Textured White New Construction 8/0 - LVL Stile

SIZE	GLASS	PART NO.	DESCRIPTION
2/0x8/0	14x80	30276632	23-3/4" x 95" S&R Non-Text FIGiz FBGL Dr FG2015 14 x 80 Insert 4-3/8" Top White
2/6x8/0	20x80	30276532	29-3/4" x 95" S&R Non-Text FIGiz FBGL Dr FG2015 20 x 80 Insert 4-3/8" Top White
2/8x8/0	22x80	30276332	31-3/4" x 95" S&R Non-Text FIGiz FBGL Dr FG2015 22 x 80 Insert 4-3/8" Top White
2/10x8/0	22x80	30276232	33-3/4" x 95" S&R Non-Text FIGiz FBGL Dr FG2015 22 x 80 Insert 4-3/8" Top White
3/0x8/0	26x80	30276032	35-3/4" x 95" S&R Non-Text FIGiz FBGL Dr FG2015 26 x 80 Insert 4-3/8" Top White

TABLE 9: Masonite Spec Fir Textured Beige New Construction 6/8 - Pine Edge

SIZE	GLASS	PART NO.	DESCRIPTION
2/6x6/8	20x64	30277232	29-3/4" x 79" S&R Text FIGiz FBGL Dr FG2015 Fir 20 x 64 Insert 4-3/8" Top Beige
2/8x6/8	22x64	30277032	31-3/4" x 79" S&R Text FIGiz FBGL Dr FG2015 Fir 22 x 64 Insert 4-3/8" Top Beige
2/10x6/8	22x64	30276932	33-3/4" x 79" S&R Text FIGiz FBGL Dr FG2015 Fir 22 x 64 Insert 4-3/8" Top Beige
3/0x6/8	26x64	30276732	35-3/4" x 79" S&R Text FIGiz FBGL Dr FG2015 Fir 26 x 64 Insert 4-3/8" Top Beige

TABLE 10: Masonite Spec Fir Textured Beige New Construction 8/0 - Pine Edge

SIZE	GLASS	PART NO.	DESCRIPTION
2/6x8/0	20x80	30277932	29-3/4" x 95" S&R Text FIGiz FBGL Dr FG2015 Fir 20 x 80 Insert 4-3/8" Top Beige
2/8x8/0	22x80	30277732	31-3/4" x 95" S&R Text FIGiz FBGL Dr FG2015 Fir 22 x 80 Insert 4-3/8" Top Beige
2/10x8/0	22x80	30277632	33-3/4" x 95" S&R Text FIGiz FBGL Dr FG2015 Fir 22 x 80 Insert 4-3/8" Top Beige
3/0x8/0	26x80	30277432	35-3/4" x 95" S&R Text FIGiz FBGL Dr FG2015 Fir 26 x 80 Insert 4-3/8" Top Beige

AMERICAN TEST LAB NORTH
 DATE 12/12/23
 REPORT NO. ATLNC 0815.01-23

Keith Owen
 ATL INSPECTOR

TITLE		VISTA GRANDE SLABS FULL LITE FINAL ASSEMBLY DETAILS		ORIGINAL PCB REVISION	H
TOLERANCES UNLESS OTHERWISE NOTED ARE:		FRACTION ± 1/32"	DECIMAL ± .031"	SHEET	DRAWN BY
DRAWING DESIGN AND OTHER DISCLOSURES ARE THE PROPERTY OF MASONITE DOOR CORPORATION. UNAUTHORIZED USE, MANUFACTURE OR REPRODUCTION (IN WHOLE OR IN PART) IS PROHIBITED.		ANGLE ± 1°		NTS	5 OF 11
				SHEET SIZE	DATE
				B	6/27/2016
				DRAWING	
				A1020163	



CONFIDENTIAL PROPERTY OF MASONITE PRINTED DRAWING MAY NOT BE MOST RECENT VERSION

TABLE 11: Masonite Spec Non-Textured White New Construction 6/8 - CET Edge

SIZE	GLASS	PART NO.	DESCRIPTION
2/0x6/8	14x64	30278732	23-3/4" x 79" S&R Non-Text FIGz FBGL Dr FG2015 14 x 64 Insert 4-3/8" Top White (CS)
2/6x6/8	20x64	30278632	29-3/4" x 79" S&R Non-Text FIGz FBGL Dr FG2015 20 x 64 Insert 4-3/8" Top White (CS)
2/8x6/8	22x64	30278432	31-3/4" x 79" S&R Non-Text FIGz FBGL Dr FG2015 22 x 64 Insert 4-3/8" Top White (CS)
2/10x6/8	22x64	30278332	33-3/4" x 79" S&R Non-Text FIGz FBGL Dr FG2015 22 x 64 Insert 4-3/8" Top White (CS)
3/0x6/8	26x64	30278132	35-3/4" x 79" S&R Non-Text FIGz FBGL Dr FG2015 26 x 64 Insert 4-3/8" Top White (CS)

TABLE 12: Masonite Spec Non-Textured White New Construction 8/0 - CET Edge

SIZE	GLASS	PART NO.	DESCRIPTION
2/0x8/0	14x80	30279432	23-3/4" x 95" S&R Non-Text FIGz FBGL Dr FG2015 14 x 80 Insert 4-3/8" Top White (CS)
2/6x8/0	20x80	30279332	29-3/4" x 95" S&R Non-Text FIGz FBGL Dr FG2015 20 x 80 Insert 4-3/8" Top White (CS)
2/8x8/0	22x80	30279132	31-3/4" x 95" S&R Non-Text FIGz FBGL Dr FG2015 22 x 80 Insert 4-3/8" Top White (CS)
2/10x8/0	22x80	30279032	33-3/4" x 95" S&R Non-Text FIGz FBGL Dr FG2015 22 x 80 Insert 4-3/8" Top White (CS)
3/0x8/0	26x80	30278832	35-3/4" x 95" S&R Non-Text FIGz FBGL Dr FG2015 26 x 80 Insert 4-3/8" Top White (CS)

TABLE 13: Masonite Spec Fir Textured Beige New Construction 6/8 - CET Edge

SIZE	GLASS	PART NO.	DESCRIPTION
2/6x6/8	20x64	30280032	29-3/4" x 79" S&R Text FIGz FBGL Dr FG2015 Fir 20 x 64 Insert 4-3/8" Top Beige (CS)
2/8x6/8	22x64	30279832	31-3/4" x 79" S&R Text FIGz FBGL Dr FG2015 Fir 22 x 64 Insert 4-3/8" Top Beige (CS)
2/10x6/8	22x64	30279732	33-3/4" x 79" S&R Text FIGz FBGL Dr FG2015 Fir 22 x 64 Insert 4-3/8" Top Beige (CS)
3/0x6/8	26x64	30279532	35-3/4" x 79" S&R Text FIGz FBGL Dr FG2015 Fir 26 x 64 Insert 4-3/8" Top Beige (CS)


TABLE 14: Masonite Spec Fir Textured Beige New Construction 8/0 - CET Edge

SIZE	GLASS	PART NO.	DESCRIPTION
2/6x8/0	20x80	30280732	29-3/4" x 95" S&R Text FIGz FBGL Dr FG2015 Fir 20 x 80 Insert 4-3/8" Top Beige (CS)
2/8x8/0	22x80	30280532	31-3/4" x 95" S&R Text FIGz FBGL Dr FG2015 Fir 22 x 80 Insert 4-3/8" Top Beige (CS)
2/10x8/0	22x80	30280432	33-3/4" x 95" S&R Text FIGz FBGL Dr FG2015 Fir 22 x 80 Insert 4-3/8" Top Beige (CS)
3/0x8/0	26x80	30280232	35-3/4" x 95" S&R Text FIGz FBGL Dr FG2015 Fir 26 x 80 Insert 4-3/8" Top Beige (CS)

AMERICAN TEST LAB NORTH
 DATE 12/12/23
 REPORT NO. ATLNC 0815.01-23

Keith Owen

ATL INSPECTOR

TITLE: VISTA GRANDE SLABS FULL LITE FINAL ASSEMBLY DETAILS		ORIGINAL PCR REVISION: H
	TOLERANCES UNLESS OTHERWISE NOTED ARE: FRACTION + 1/32" DECIMAL + .031" ANGLE ± 1°	SCALE: NTS SHEET: 6 OF 11 DATE: 6/27/2016 DRAWING: B
	DRAWING DESIGN AND OTHER DISCLOSURES ARE THE PROPERTY OF MASONITE DOOR CORPORATION. UNAUTHORIZED USE, MANUFACTURE OR REPRODUCTION (IN WHOLE OR IN PART) IS PROHIBITED.	A1020163

Released

TABLE 15: Premdor Spec Non-Textured White New Construction 6/8 - Pine Edge

SIZE	GLASS	PART NO.	DESCRIPTION
2/0x6/8	14x64	30281532	23-3/4" x 79-1/4" S&R Non-Text Figlz FBGL Dr FG2015 14 x 64 Insert 4-3/8" Top White
2/6x6/8	20x64	30281432	29-3/4" x 79-1/4" S&R Non-Text Figlz FBGL Dr FG2015 20 x 64 Insert 4-3/8" Top White
2/8x6/8	22x64	30281232	31-3/4" x 79-1/4" S&R Non-Text Figlz FBGL Dr FG2015 22 x 64 Insert 4-3/8" Top White
2/10x6/8	22x64	30281132	33-3/4" x 79-1/4" S&R Non-Text Figlz FBGL Dr FG2015 22 x 64 Insert 4-3/8" Top White
3/0x6/8	26x64	30280932	35-3/4" x 79-1/4" S&R Non-Text Figlz FBGL Dr FG2015 26 x 64 Insert 4-3/8" Top White

TABLE 16: Premdor Spec Non-Textured White New Construction 8/0 - Pine Edge

SIZE	GLASS	PART NO.	DESCRIPTION
2/0x8/0	14x80	30282232	23-3/4" x 95-1/4" S&R Non-Text Figlz FBGL Dr FG2015 14 x 80 Insert 4-3/8" Top White
2/6x8/0	20x80	30282132	29-3/4" x 95-1/4" S&R Non-Text Figlz FBGL Dr FG2015 20 x 80 Insert 4-3/8" Top White
2/8x8/0	22x80	30281932	31-3/4" x 95-1/4" S&R Non-Text Figlz FBGL Dr FG2015 22 x 80 Insert 4-3/8" Top White
2/10x8/0	22x80	30281832	33-3/4" x 95-1/4" S&R Non-Text Figlz FBGL Dr FG2015 22 x 80 Insert 4-3/8" Top White
3/0x8/0	26x80	30281632	35-3/4" x 95-1/4" S&R Non-Text Figlz FBGL Dr FG2015 26 x 80 Insert 4-3/8" Top White

TABLE 17: Premdor Spec Fir Textured Beige New Construction 6/8 - Pine Edge

SIZE	GLASS	PART NO.	DESCRIPTION
2/6x6/8	20x64	30282832	29-3/4" x 79-1/4" S&R Text Figlz FBGL Dr FG2015 Fir 20 x 64 Insert 4-3/8" Top Beige
2/8x6/8	22x64	30282632	31-3/4" x 79-1/4" S&R Text Figlz FBGL Dr FG2015 Fir 22 x 64 Insert 4-3/8" Top Beige
2/10x6/8	22x64	30282532	33-3/4" x 79-1/4" S&R Text Figlz FBGL Dr FG2015 Fir 22 x 64 Insert 4-3/8" Top Beige
3/0x6/8	26x64	30282332	35-3/4" x 79-1/4" S&R Text Figlz FBGL Dr FG2015 Fir 26 x 64 Insert 4-3/8" Top Beige

TABLE 18: Premdor Spec Fir Textured Beige New Construction 8/0 - Pine Edge

SIZE	GLASS	PART NO.	DESCRIPTION
2/6x8/0	20x80	30283532	29-3/4" x 95-1/4" S&R Text Figlz FBGL Dr FG2015 Fir 20 x 80 Insert 4-3/8" Top Beige
2/8x8/0	22x80	30283332	31-3/4" x 95-1/4" S&R Text Figlz FBGL Dr FG2015 Fir 22 x 80 Insert 4-3/8" Top Beige
2/10x8/0	22x80	30283232	33-3/4" x 95-1/4" S&R Text Figlz FBGL Dr FG2015 Fir 22 x 80 Insert 4-3/8" Top Beige
3/0x8/0	26x80	30283032	35-3/4" x 95-1/4" S&R Text Figlz FBGL Dr FG2015 Fir 26 x 80 Insert 4-3/8" Top Beige

AMERICAN TEST LAB NORTH
 DATE 12/12/23
 REPORT NO. ATLNC 0815.01-23

Keith Owen

ATL INSPECTOR

TITLE: VISTA GRANDE SLABS FULL LITE FINAL ASSEMBLY DETAILS		ORIGINAL REVISION: H
TOLERANCES UNLESS OTHERWISE NOTED ARE: FRACTION ± 1/32" DECIMAL ± .031" ANGLE ± 1°		SCALE: NTS
DRAWING DESIGN AND OTHER DISCLOSURES ARE THE PROPERTY OF MASONITE DOOR CORPORATION. UNAUTHORIZED USE, MANUFACTURE OR REPRODUCTION (IN WHOLE OR IN PART) IS PROHIBITED.		SHEET: 7 OF 11
		DATE: 6/27/2016
MASONITE		DRAWING: B
		A1020163

CONFIDENTIAL PROPERTY OF MASONITE PRINTED DRAWING MAY NOT BE MOST RECENT VERSION

Released

TABLE 19: Premdor Spec Non-Textured White New Construction 6/8 - CET Edge

SIZE	GLASS	PART NO.	DESCRIPTION
2/0x6/8	14x64	30284332	23-3/4" x 79-1/4" S&R Non-Text FIGLz FBGL Dr FG2015 14 x 64 Insert 4-3/8" Top White (CS)
2/6x6/8	20x64	30284232	29-3/4" x 79-1/4" S&R Non-Text FIGLz FBGL Dr FG2015 20 x 64 Insert 4-3/8" Top White (CS)
2/8x6/8	22x64	30284032	31-3/4" x 79-1/4" S&R Non-Text FIGLz FBGL Dr FG2015 22 x 64 Insert 4-3/8" Top White (CS)
2/10x6/8	22x64	30283932	33-3/4" x 79-1/4" S&R Non-Text FIGLz FBGL Dr FG2015 22 x 64 Insert 4-3/8" Top White (CS)
3/0x6/8	26x64	30283732	35-3/4" x 79-1/4" S&R Non-Text FIGLz FBGL Dr FG2015 26 x 64 Insert 4-3/8" Top White (CS)

TABLE 20: Premdor Spec Non-Textured White New Construction 8/0 - CET Edge

SIZE	GLASS	PART NO.	DESCRIPTION
2/0x8/0	14x80	30285032	23-3/4" x 95-1/4" S&R Non-Text FIGLz FBGL Dr FG2015 14 x 80 Insert 4-3/8" Top White (CS)
2/6x8/0	20x80	30284932	29-3/4" x 95-1/4" S&R Non-Text FIGLz FBGL Dr FG2015 20 x 80 Insert 4-3/8" Top White (CS)
2/8x8/0	22x80	30284732	31-3/4" x 95-1/4" S&R Non-Text FIGLz FBGL Dr FG2015 22 x 80 Insert 4-3/8" Top White (CS)
2/10x8/0	22x80	30284632	33-3/4" x 95-1/4" S&R Non-Text FIGLz FBGL Dr FG2015 22 x 80 Insert 4-3/8" Top White (CS)
3/0x8/0	26x80	30284432	35-3/4" x 95-1/4" S&R Non-Text FIGLz FBGL Dr FG2015 26 x 80 Insert 4-3/8" Top White (CS)

TABLE 21: Premdor Spec Fir Textured Beige New Construction 6/8 - CET Edge

SIZE	GLASS	PART NO.	DESCRIPTION
2/6x6/8	20x64	30285632	29-3/4" x 79-1/4" S&R Text FIGLz FBGL Dr FG2015 Fir 20 x 64 Insert 4-3/8" Top Beige (CS)
2/8x6/8	22x64	30285432	31-3/4" x 79-1/4" S&R Text FIGLz FBGL Dr FG2015 Fir 22 x 64 Insert 4-3/8" Top Beige (CS)
2/10x6/8	22x64	30285332	33-3/4" x 79-1/4" S&R Text FIGLz FBGL Dr FG2015 Fir 22 x 64 Insert 4-3/8" Top Beige (CS)
3/0x6/8	26x64	30285132	35-3/4" x 79-1/4" S&R Text FIGLz FBGL Dr FG2015 Fir 26 x 64 Insert 4-3/8" Top Beige (CS)

TABLE 22: Premdor Spec Fir Textured Beige New Construction 8/0 - CET Edge

SIZE	GLASS	PART NO.	DESCRIPTION
2/6x8/0	20x80	30286332	29-3/4" x 95-1/4" S&R Text FIGLz FBGL Dr FG2015 Fir 20 x 80 Insert 4-3/8" Top Beige (CS)
2/8x8/0	22x80	30286132	31-3/4" x 95-1/4" S&R Text FIGLz FBGL Dr FG2015 Fir 22 x 80 Insert 4-3/8" Top Beige (CS)
2/10x8/0	22x80	30286032	33-3/4" x 95-1/4" S&R Text FIGLz FBGL Dr FG2015 Fir 22 x 80 Insert 4-3/8" Top Beige (CS)
3/0x8/0	26x80	30285832	35-3/4" x 95-1/4" S&R Text FIGLz FBGL Dr FG2015 Fir 26 x 80 Insert 4-3/8" Top Beige (CS)

AMERICAN TEST LAB NORTH
 DATE 12/12/23
 REPORT NO. ATLNC 0815.01-23

Keith Owen
 ATL INSPECTOR

TITLE		VISTA GRANDE SLABS FULL LITE FINAL ASSEMBLY DETAILS	
TOLERANCES UNLESS OTHERWISE NOTED ARE:		FRACTION ± 1/32" DECIMAL ± .031" ANGLE ± 1°	
DRAWING DESIGN AND OTHER DISCLOSURES ARE THE PROPERTY OF MASONITE DOOR CORPORATION. UNAUTHORIZED USE, MANUFACTURE OR REPRODUCTION (IN WHOLE OR IN PART) IS PROHIBITED.			
ORIGINAL PCR REVISION		H	
SCALE	SHEET	DRAWN BY	
NTS	8 OF 11	lhomeo	
SHEET SIZE	DATE		
B	6/27/2016		
DRAWING			A1020163



CONFIDENTIAL PROPERTY OF MASONITE PRINTED DRAWING MAY NOT BE MOST RECENT VERSION

Released

TABLE 23: Non-Textured White Patio Spec 6/8 - Pine Edge

SIZE	GLASS	PART NO.	DESCRIPTION
2/0x6/8	14x64	30287332	22-13/32" x 76-7/8" S&R Non-Text FIGiz FBGL Dr FG2015 14 x 64 Insert 4-5/8" Top Offset White
2/6x6/8	20x64	30287432	28-13/32" x 76-7/8" S&R Non-Text FIGiz FBGL Dr FG2015 20 x 64 Insert 4-5/8" Top Offset White
2/8x6/8	22x64	30287532	30-13/32" x 76-7/8" S&R Non-Text FIGiz FBGL Dr FG2015 22 x 64 Insert 4-5/8" Top Offset White
2/10x6/8	22x64	30304332	32-13/32" x 76-7/8" S&R Non-Text FIGiz FBGL Dr FG2015 22 x 64 Insert 4-5/8" Top White
3/0x6/8	26x64	30287732	34-13/32" x 76-7/8" S&R Non-Text FIGiz FBGL Dr FG2015 26 x 64 Insert 4-5/8" Top Offset White

TABLE 24: Non-Textured White Patio Spec 8/0 - Pine Edge

SIZE	GLASS	PART NO.	DESCRIPTION
2/0x8/0	14x80	30287832	22-13/32" x 92-7/8" S&R Non-Text FIGiz FBGL Dr FG2015 14 x 80 Insert 4-5/8" Top Offset White
2/6x8/0	20x80	30287932	28-13/32" x 92-7/8" S&R Non-Text FIGiz FBGL Dr FG2015 20 x 80 Insert 4-5/8" Top Offset White
2/8x8/0	22x80	30288032	30-13/32" x 92-7/8" S&R Non-Text FIGiz FBGL Dr FG2015 22 x 80 Insert 4-5/8" Top Offset White
2/10x8/0	22x80	30304532	32-13/32" x 92-7/8" S&R Non-Text FIGiz FBGL Dr FG2015 22 x 80 Insert 4-5/8" Top White
3/0x8/0	26x80	30288132	34-13/32" x 92-7/8" S&R Non-Text FIGiz FBGL Dr FG2015 26 x 80 Insert 4-5/8" Top Offset White

TABLE 25: Fir Textured Beige Patio Spec 6/8 - Pine Edge


SIZE	GLASS	PART NO.	DESCRIPTION
2/6x6/8	20x64	30288332	28-13/32" x 76-7/8" S&R Text FIGiz FBGL Dr FG2015 Fir 20 x 64 Insert 4-5/8" Top Offset Beige
2/8x6/8	22x64	30288432	30-13/32" x 76-7/8" S&R Text FIGiz FBGL Dr FG2015 Fir 22 x 64 Insert 4-5/8" Top Offset Beige
2/10x6/8	22x64	30304832	32-13/32" x 76-7/8" S&R Text FIGiz FBGL Dr FG2015 Fir 22 x 64 Insert 4-5/8" Top Beige
3/0x6/8	26x64	30288632	34-13/32" x 76-7/8" S&R Text FIGiz FBGL Dr FG2015 Fir 26 x 64 Insert 4-5/8" Top Offset Beige

TABLE 26: Fir Textured Beige Patio Spec 8/0 - Pine Edge

SIZE	GLASS	PART NO.	DESCRIPTION
2/6x8/0	20x80	30288832	28-13/32" x 92-7/8" S&R Text FIGiz FBGL Dr FG2015 Fir 20 x 80 Insert 4-5/8" Top Offset Beige
2/8x8/0	22x80	30288932	30-13/32" x 92-7/8" S&R Text FIGiz FBGL Dr FG2015 Fir 22 x 80 Insert 4-5/8" Top Offset Beige
2/10x8/0	22x80	30305032	32-13/32" x 92-7/8" S&R Text FIGiz FBGL Dr FG2015 Fir 22 x 80 Insert 4-5/8" Top Beige
3/0x8/0	26x80	30289032	34-13/32" x 92-7/8" S&R Text FIGiz FBGL Dr FG2015 Fir 26 x 80 Insert 4-5/8" Top Offset Beige

AMERICAN TEST LAB NORTH
 DATE 12/12/23
 REPORT NO. ATLNC 0815.01-23

Keith Owen
 ATL INSPECTOR

TITLE		VISTA GRANDE SLABS FULL LITE FINAL ASSEMBLY DETAILS	
TOLERANCES UNLESS OTHERWISE NOTED ARE:		FRACTION ± 1/32" DECIMAL ± .031" ANGLE ± 1°	
		DRAWING DESIGN AND OTHER DISCLOSURES ARE THE PROPERTY OF MASONITE DOOR CORPORATION. UNAUTHORIZED USE, MANUFACTURE OR REPRODUCTION (IN WHOLE OR IN PART) IS PROHIBITED.	
		DRAWING	
ORIGINAL PCB REVISION	H	SHEET	9 OF 11
SCALE	NTS	DATE	6/27/2016
DRAWING		A1020163	

CONFIDENTIAL PROPERTY OF MASONITE PRINTED DRAWING MAY NOT BE MOST RECENT VERSION

Released

TABLE 27: 7/0 & 7/6 MASONITE SPEC

SIZE	GLASS	PART NO.	DESCRIPTION
3/0 X 7/0	26 X 68	30344032	35-3/4" x 83" S&R Non-Text FIGiz FBGL Dr VistaGrande 26 x 68 Insert 4-3/8" Top White
3/0 X 7/6	26 X 74	30344132	35-3/4" x 89" S&R Non-Text FIGiz FBGL Dr VistaGrande 26 x 74 Insert 4-3/8" Top White
3/0 X 7/0	26 X 68	30344032	35-3/4" x 83" S&R Non-Text FIGiz FBGL Dr VistaGrande 26 x 68 Insert 4-3/8" Top White (CS)
3/0 X 7/6	26 X 74	30344132	35-3/4" x 89" S&R Non-Text FIGiz FBGL Dr VistaGrande 26 x 74 Insert 4-3/8" Top White (CS)


TABLE 27: 7/0 & 7/6 PREM SPEC

SIZE	GLASS	PART NO.	DESCRIPTION
3/0 X 7/0	26 X 68	30344832	35-3/4" x 83-1/4" S&R Non-Text FIGiz FBGL Dr VistaGrande 26 x 68 Insert 4-3/8" Top White
3/0 X 7/6	26 X 74	30344932	35-3/4" x 89-1/4" S&R Non-Text FIGiz FBGL Dr VistaGrande 26 x 74 Insert 4-3/8" Top White
3/0 X 7/0	26 X 68	30345032	35-3/4" x 83-1/4" S&R Non-Text FIGiz FBGL Dr VistaGrande 26 x 68 Insert 4-3/8" Top White (CS)
3/0 X 7/6	26 X 74	30345132	35-3/4" x 89-1/4" S&R Non-Text FIGiz FBGL Dr VistaGrande 26 x 74 Insert 4-3/8" Top White (CS)

AMERICAN TEST LAB NORTH
DATE 12/12/23
REPORT NO. ATLNC 0815.01-23

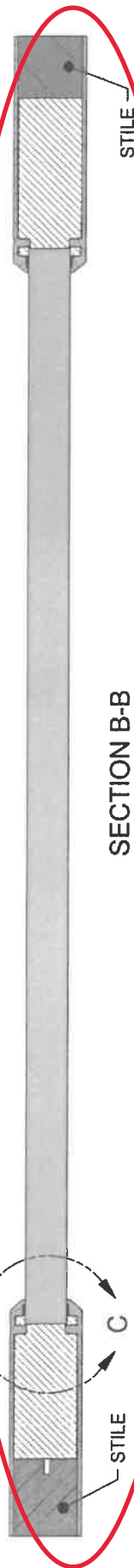
Keith Owen

ATL INSPECTOR

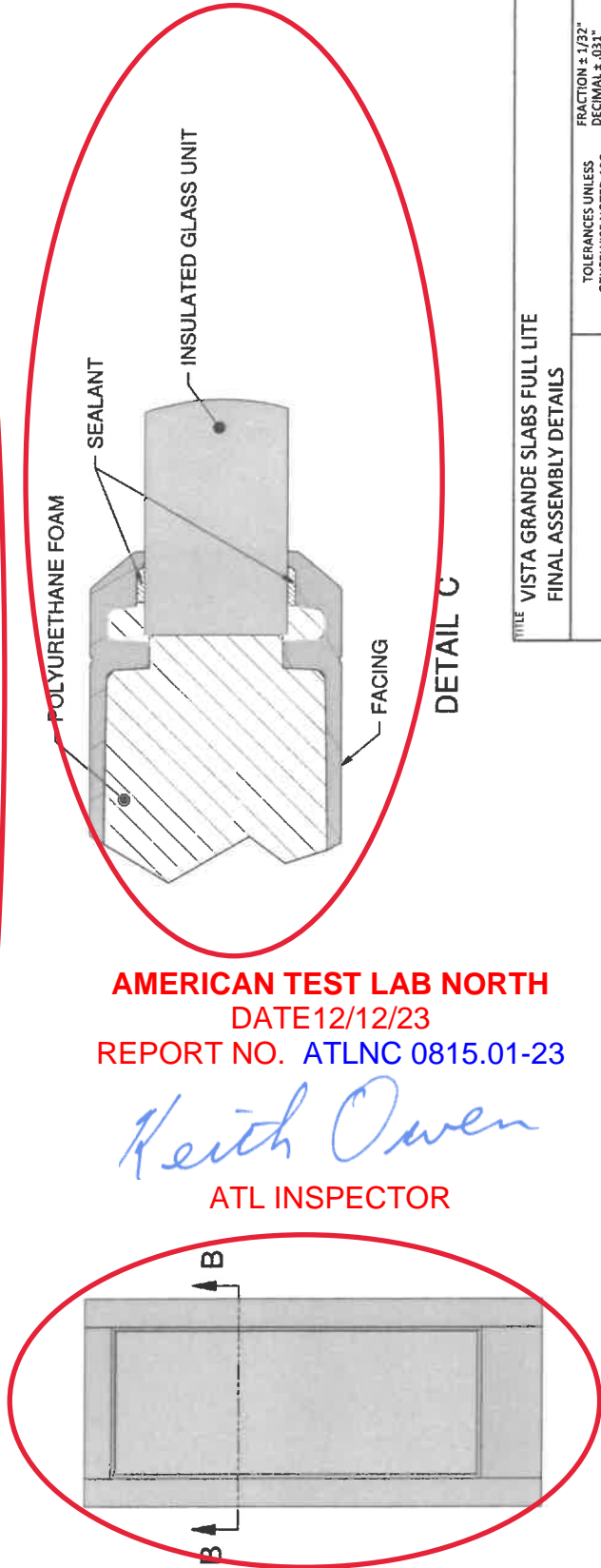
TITLE VISTA GRANDE SLABS FULL LITE FINAL ASSEMBLY DETAILS		ORIGINAL (P) REVISION H	
TOLERANCES UNLESS OTHERWISE NOTED ARE: FRACTION ± 1/32" DECIMAL ± .031" ANGLE ± 1°		SCALE NTS	SHEET DRAWN BY 10 OF 11 jloomeo
 MASONITE		SHEET SIZE B	DATE 6/27/2016
DRAWING DESIGN AND OTHER DISCLOSURES ARE THE PROPERTY OF MASONITE DOOR CORPORATION. UNAUTHORIZED USE, MANUFACTURE OR REPRODUCTION (IN WHOLE OR IN PART) IS PROHIBITED.		DRAWING A1020163	

CONFIDENTIAL PROPERTY OF MASONITE PRINTED DRAWING MAY NOT BE MOST RECENT VERSION

Released



SECTION B-B



DETAIL C

AMERICAN TEST LAB NORTH
 DATE 12/12/23
 REPORT NO. ATLNC 0815.01-23

Keith Owen
 ATL INSPECTOR

TITLE VISTA GRANDE SLABS FULL LITE FINAL ASSEMBLY DETAILS		ORIGINAL REVISION	H
SCALE	NTS	SHEET	DRAWN BY
TOLERANCES UNLESS OTHERWISE NOTED ARE: FRACTION $\pm 1/32"$ DECIMAL $\pm .031"$ ANGLE $\pm 1^\circ$		SHEET SIZE	11 OF 11 jomgo
DRAWING DESIGN AND OTHER DISCLOSURES ARE THE PROPERTY OF MASONITE DOOR CORPORATION. UNAUTHORIZED USE, MANUFACTURE OR REPRODUCTION (IN WHOLE OR IN PART) IS PROHIBITED.		DATE	6/27/2016
		DRAWING	A1020163

CONFIDENTIAL PROPERTY OF MASONITE PRINTED DRAWING MAY NOT BE MOST RECENT VERSION

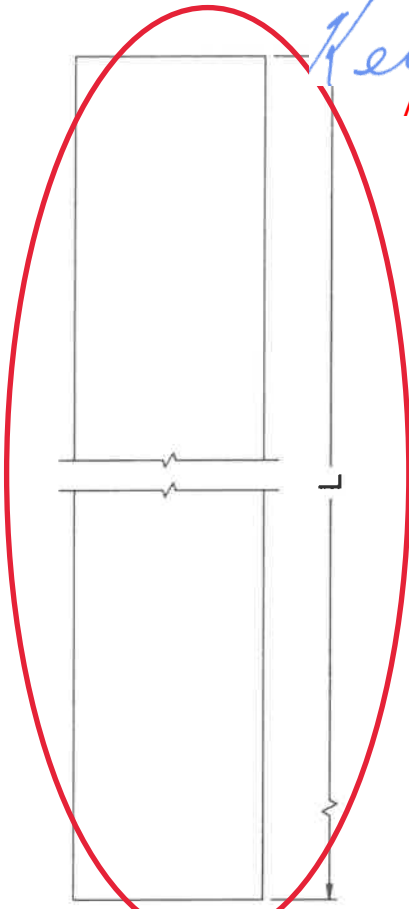
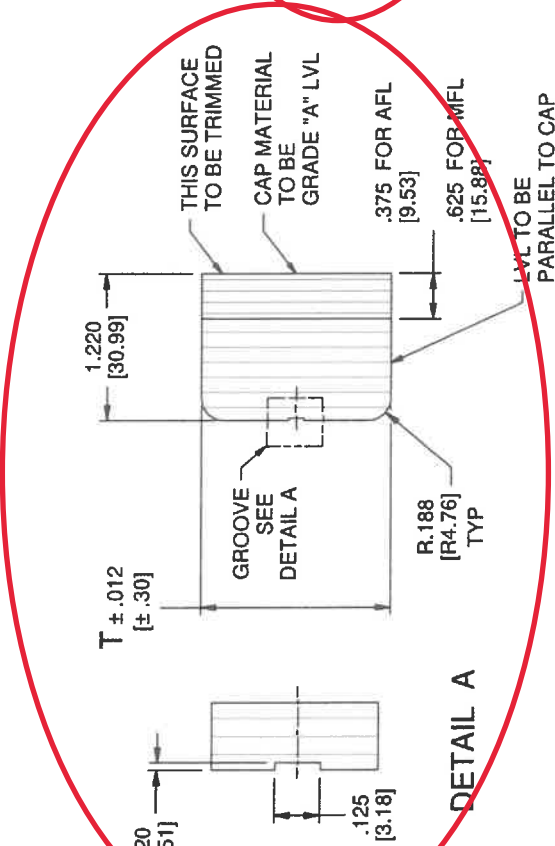
Released

REVISION HISTORY

REV	DESCRIPTION	PCR	DRAWN BY	DATE	APPROVED
E	(10) PART NUMBERS ADDED.	718	LBH	9/30/20	AAV
F	ADDED NOTE 8	940	DB	05/19/2022	AAV

AMERICAN TEST LAB NORTH
 DATE 12/12/23
 REPORT NO. ATLNC 0815.01-23

Keith Owen
 ATL INSPECTOR



- NOTE:
- SEE: EMS 306392 FOR WOOD INSPECTION STANDARDS
 - MATERIAL IS FINGER JOINTED OR LAP LVL OR EQUIVALENT
 - PARTS ARE UNPAINTED & WITH NO PRESERVATIVE FINISH
 - GRADE "A" LVL TO MEET "GRADED SURFACE X EXTERIOR" SPECIFICATION FROM EMS 306392
 - SYMBOL (C) INDICATES CRITICAL DIMENSION
 - DIMENSIONS IN BRACKETS [XX] INDICATE METRIC mm DIMENSIONS
 - MILL OPTION TO USE ONE LAYER OF RADIATA PINE VENEER ON FRONT AND BACK.
 - ONE END OF THE THICK COMPONENTS (1.593" THICK) TO BE IDENTIFIED WITH YELLOW COLOR

PART NUMBER	DESCRIPTION	T	L	TYPE	
582202150628.3750	28.375" FJ PN RAIL TOP	1.573	28.375	720.73	AFL
582202150628.5940	28.594" FJ PN RAIL TOP	1.573	39.95	726.29	MFL
582202150630.3750	30.375" FJ PN RAIL TOP	1.573	39.95	771.53	AFL
582202150630.5940	30.594" FJ PN RAIL TOP	1.573	39.95	777.09	MFL
582202150632.3750	32.375" FJ PN RAIL TOP	1.573	39.95	822.33	AFL
582202150632.5940	32.594" FJ PN RAIL TOP	1.573	39.95	827.89	MFL
582202150633.0310	33.031" FJ PN RAIL TOP	1.573	39.95	838.99	AFL
582202150634.3750	34.375" FJ PN RAIL TOP	1.573	39.95	873.13	AFL
582202150634.5940	34.594" FJ PN RAIL TOP	1.573	39.95	878.69	MFL
582202150340.5940	40.594" FJ PN RAIL TOP	1.573	39.95	1031.09	MFL
582202150728.3750	28.375" (GEN) FJ PN RAIL TOP	1.593	40.46	720.73	AFL
582202150728.5940	28.594" (GEN) FJ PN RAIL TOP	1.593	40.46	726.29	MFL
582202150730.3750	30.375" (GEN) FJ PN RAIL TOP	1.593	40.46	771.53	AFL
582202150730.5940	30.594" (GEN) FJ PN RAIL TOP	1.593	40.46	777.09	MFL
582202150732.3750	32.375" (GEN) FJ PN RAIL TOP	1.593	40.46	822.33	AFL
582202150732.5940	32.594" (GEN) FJ PN RAIL TOP	1.593	40.46	827.89	MFL
582202150733.0310	33.031" (GEN) FJ PN RAIL TOP	1.593	40.46	838.99	AFL
582202150734.3750	34.375" (GEN) FJ PN RAIL TOP	1.593	40.46	873.13	AFL
582202150734.5940	34.594" (GEN) FJ PN RAIL TOP	1.593	40.46	878.69	MFL
582202150740.5940	40.594" (GEN) FJ PN RAIL TOP	1.593	40.46	1031.09	MFL

ORIGINAL PCR REVISION: 9393 F

SCALE: NTS 1 OF 1 JL

SHEET: 1 OF 1 DATE: 6/30/2016

TOLERANCES UNLESS OTHERWISE NOTED ARE: FRACTION ± 1/32" DECIMAL ± .031" ANGLE ± 1°

DRAWING: B

DATE: 6/30/2016

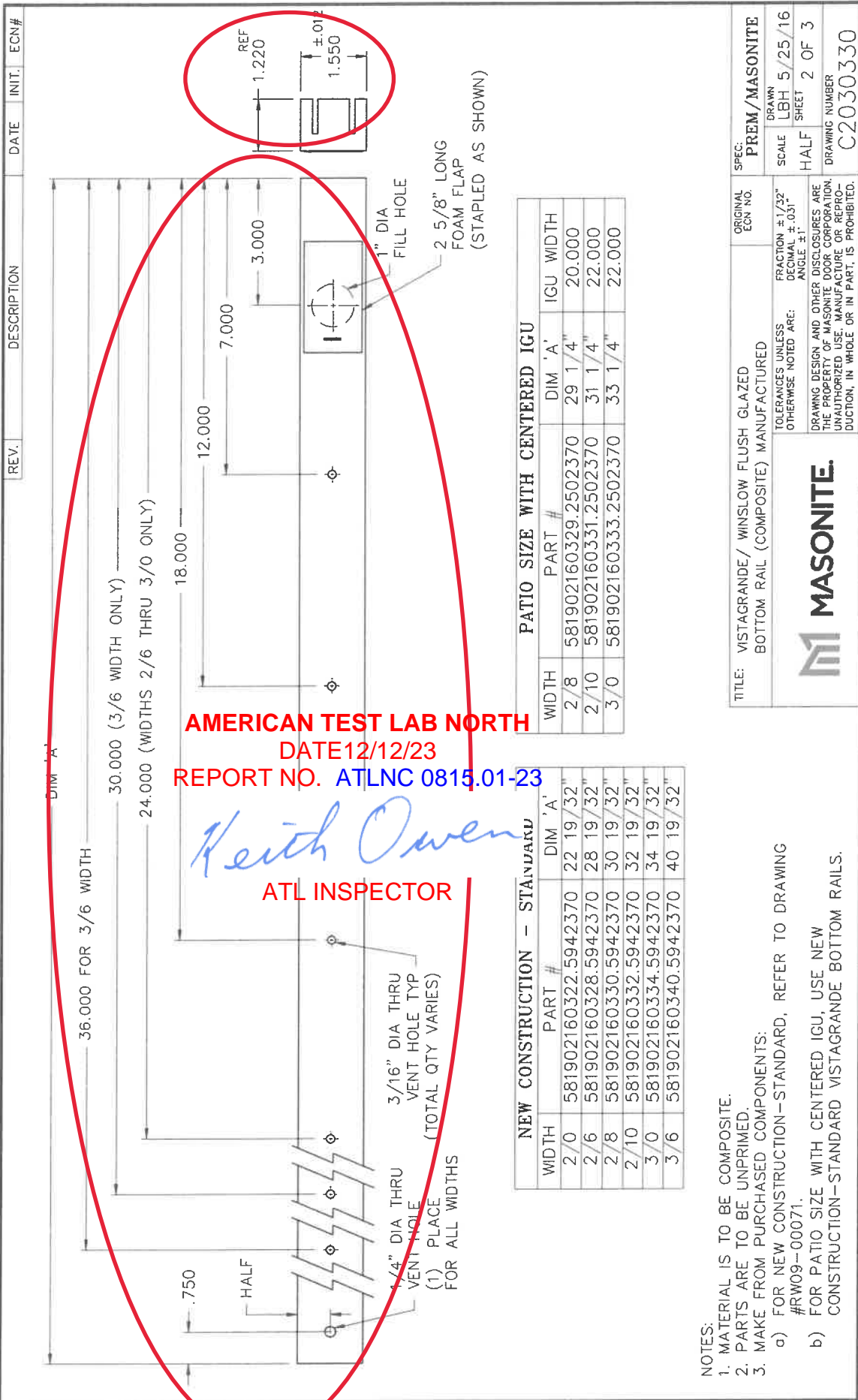
NO. 2030367

5/4 TOP RAIL FIBERGLASS - PURCHASED

MASONITE

TOLERANCES AND OTHER DISCLOSURES ARE THE PROPERTY OF MASONITE DOOR CORPORATION. UNAUTHORIZED USE, MANUFACTURE OR REPRODUCTION (IN WHOLE OR IN PART) IS PROHIBITED.

CONFIDENTIAL PROPERTY OF MASONITE PRINTED DRAWING MAY NOT BE MOST RECENT VERSION



AMERICAN TEST LAB NORTH
 DATE 12/12/23
 REPORT NO. ATLNC 0815.01-23

Keith Owen
 ATL INSPECTOR

NEW CONSTRUCTION - STAINLEAKU		
WIDTH	PART #	DIM 'A'
2/0	581902160322.5942370	22 19/32"
2/6	581902160328.5942370	28 19/32"
2/8	581902160330.5942370	30 19/32"
2/10	581902160332.5942370	32 19/32"
3/0	581902160334.5942370	34 19/32"
3/6	581902160340.5942370	40 19/32"

PATIO SIZE WITH CENTERED IGU		
WIDTH	PART #	DIM 'A'
2/8	581902160329.2502370	29 1/4"
2/10	581902160331.2502370	31 1/4"
3/0	581902160333.2502370	33 1/4"

- NOTES:
- MATERIAL IS TO BE COMPOSITE.
 - PARTS ARE TO BE UNPRIMED.
 - MAKE FROM PURCHASED COMPONENTS:
 - FOR NEW CONSTRUCTION—STANDARD, REFER TO DRAWING #RW09-00071.
 - FOR PATIO SIZE WITH CENTERED IGU, USE NEW CONSTRUCTION—STANDARD VISTAGRANDE BOTTOM RAILS.

TITLE: VISTAGRANDE/ WINSLOW FLUSH GLAZED BOTTOM RAIL (COMPOSITE) MANUFACTURED TOLERANCES UNLESS OTHERWISE NOTED ARE: FRACTION ±1/32" DECIMAL ±.031" ANGLE ±1°

ORIGINAL ECN NO. SPEC: PREM/MASONITE

SCALE: HALF DRAWN: LBH 5/25/16 SHEET: 2 OF 3

DRAWING NUMBER: C2030330

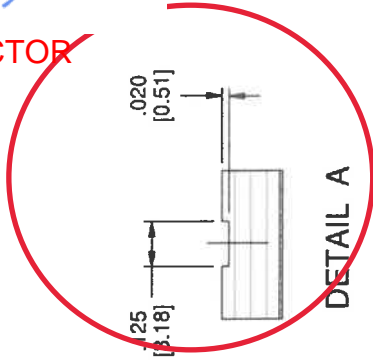
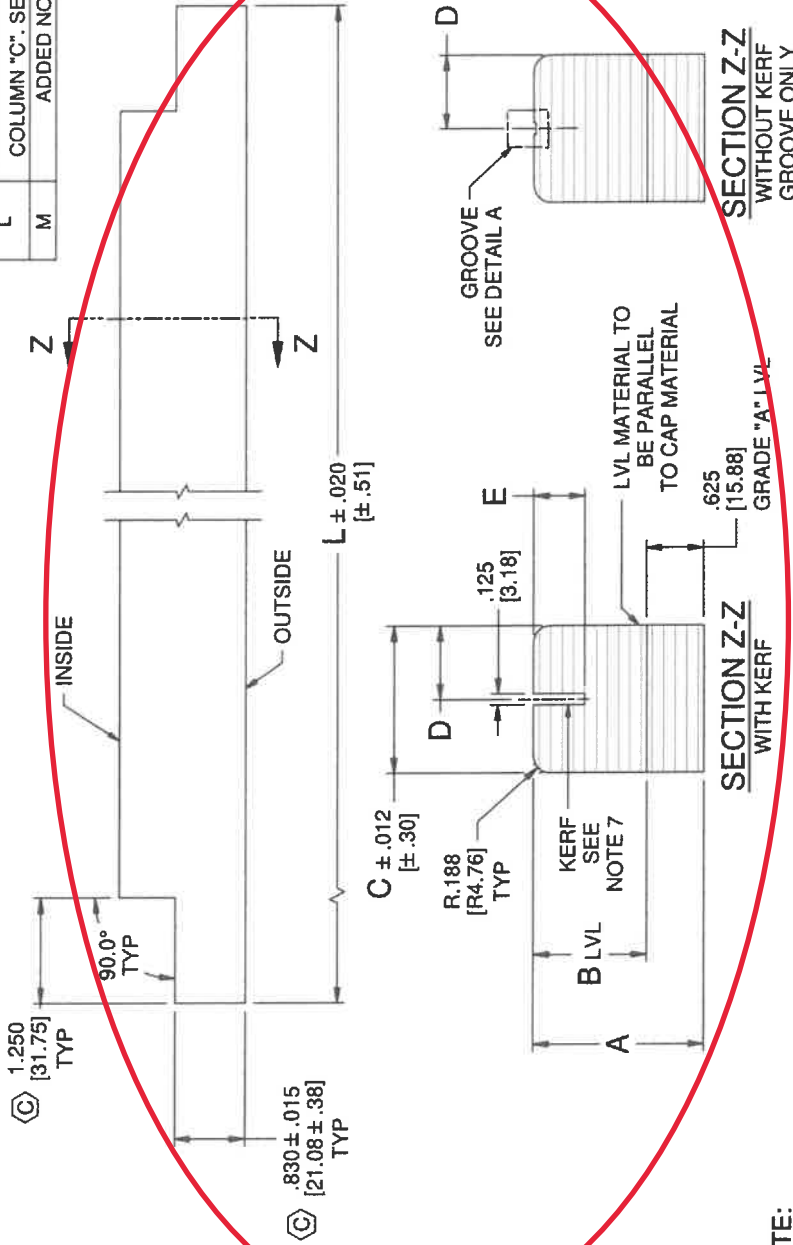
DRAWING DESIGN AND OTHER DISCLOSURES ARE THE PROPERTY OF MASONITE DOOR CORPORATION. UNAUTHORIZED USE, MANUFACTURE OR REPRODUCTION, IN WHOLE OR IN PART, IS PROHIBITED.

Keith Owen

ATL INSPECTOR

REVISION HISTORY

REV	DESCRIPTION	PCR	DRAWN BY	DATE	APPROVED
K	(5) PART NUMBERS ADDED. SEE SHEET 2.	718	LBH	9/30/20	AAV
L	METRIC DATA CORRECTED IN COLUMN "C". SEE SHEET 2.	718	LBH	10/26/20	AAV
M	ADDED NOTE 11	940	DB	05/19/2022	AAV



- NOTE:**
- SEE SPECIFICATION 306391 FOR WOOD INSPECTION STANDARDS
 - ACCEPTABLE MATERIAL IS: LVL WITH GRADE "A" LVL
 - ACCEPTABLE CONSTRUCTION CAN BE: LAP JOINT LVL OR FINGERJOINT LVL CONSTRUCTION
 - OUTSIDE GRADE "A" LVL TO BE 5/8" THICK
 - GRADE A LVL TO MEET "GRADED SURFACE X-EXTERIOR" SPECIFICATION FROM EMS 306391
 - PARTS ARE UNPAINTED AND WITHOUT PRESERVATIVE FINISH
 - KERF - SEE TABLE 1 IF APPLICABLE
 - SYMBOL (C) INDICATES CRITICAL DIMENSION
 - DIMENSIONS IN BRACKETS [XX] INDICATE METRIC DIMENSIONS
 - MILL OPTION TO USE ONE LAYER OF RADIATA PINE VENEER ON FRONT AND BACK.
 - ONE END OF THE THICK COMPONENTS (1.598" THICK) TO BE IDENTIFIED WITH YELLOW COLOR

CONFIDENTIAL PROPERTY OF MASONITE PRINTED DRAWING MAY NOT BE MOST RECENT VERSION

TITLE		MFL WOOD STILES FOR FIBERGLASS - PURCHASED	
ORIGINAL PCR REVISION	9389	SCALE	NTS
SHEET	1 OF 2	DRAWN BY	JL
SHEET SIZE	B	DATE	7/26/2016
TOLERANCES UNLESS OTHERWISE NOTED ARE: FRACTION ± 1/32" DECIMAL ± .031" ANGLE ± 1°		DRAWING	
DRAWING DESIGN AND OTHER DISCLOSURES ARE THE PROPERTY OF MASONITE DOOR CORPORATION. UNAUTHORIZED USE, MANUFACTURE OR REPRODUCTION (IN WHOLE OR IN PART) IS PROHIBITED.		C2030387	



Released

MFL STILES

PART NUMBER	DESCRIPTION	L	A	B (REF)	KERF	E	C	D
589601020377.3751181	77.375 Single Ply with LVL Stiles Blnk Hng FJ Pine Edge Band	77.375 [1965.33]	1.500 [38.10]	0.875 [22.23]	NO	N/A	1.578 [40.08]	0.789 [20.04]
589601020777.3751181	77.375" (Gen) Single Ply with LVL Stiles Blnk Hng FJ Pine Edge Band	77.375 [1965.33]	1.500 [38.10]	0.875 [22.23]	NO	N/A	1.598 [40.59]	0.799 [20.29]
589601060377.3751181	77.375 Single Ply with LVL Stiles Blnk Strk FJ Pine Edge Band	77.375 [1965.33]	1.875 [47.63]	1.250 [31.75]	NO	N/A	1.578 [40.08]	0.789 [20.04]
589601060777.3751181	77.375" (Gen) Single Ply with LVL Stiles Blnk Strk FJ Pine Edge Band	77.375 [1965.33]	1.875 [47.63]	1.250 [31.75]	NO	N/A	1.598 [40.59]	0.799 [20.29]
589601060377.3752366	77.375 Single Ply with LVL Stiles Blnk Strk FJ Pine Edge Band With Foam Kerf	77.375 [1965.33]	1.875 [47.63]	1.250 [31.75]	YES	0.563	1.550 [39.37]	0.775 [19.69]
* 582201010679.562622	79.562 FJ Pn Stiles Blnk OAKCRAFT SIDELITE	79.562 [2020.87]	1.220 [30.99]	0.595 [15.11]	NO	N/A	1.578 [40.08]	0.789 [20.04]
* 582201010779.562622	79.562" (Gen) FJ Pn Stiles Blnk OAKCRAFT SIDELITE	79.562 [2020.87]	1.220 [30.99]	0.595 [15.11]	NO	N/A	1.598 [40.59]	0.799 [20.29]
* 582201010679.5622368	79.562 FJ Stiles Blnk OAKCRAFT SIDELITE with Foam Kerf	79.562 [2020.87]	1.220 [30.99]	0.595 [15.11]	YES	0.375	1.550 [39.37]	0.755 [19.18]
589601020379.5621181	79.562 Single Ply with LVL Stiles Blnk Hng FJ Pine Edge Band	79.562 [2020.87]	1.500 [38.10]	0.875 [22.23]	NO	N/A	1.578 [40.08]	0.789 [20.04]
589601020779.5621181	79.562" (Gen) Single Ply with LVL Stiles Blnk Hng FJ Pine Edge Band	79.562 [2020.87]	1.500 [38.10]	0.875 [22.23]	NO	N/A	1.598 [40.59]	0.799 [20.29]
589601060379.5621181	79.562 Single Ply with LVL Stiles Blnk Strk FJ Pine Edge Band	79.562 [2020.87]	1.875 [47.63]	1.250 [31.75]	NO	N/A	1.578 [40.08]	0.789 [20.04]
589601060779.5621181	79.562" (Gen) Single Ply with LVL Stiles Blnk Strk FJ Pine Edge Band	79.562 [2020.87]	1.875 [47.63]	1.250 [31.75]	NO	N/A	1.598 [40.59]	0.799 [20.29]
589601060379.5622366	79.562 Single Ply with LVL Stiles Blnk Strk FJ Pine Edge Band With Foam Kerf	79.562 [2020.87]	1.875 [47.63]	1.250 [31.75]	YES	0.563	1.550 [39.37]	0.775 [19.69]
589601010383.5621181	83.562 Single Ply with LVL Stiles Blnk FJ Pine Edge Band	83.562 [2122.47]	1.875 [47.63]	1.250 [31.75]	NO	N/A	1.578 [40.08]	0.789 [20.04]
582201410693.375619	93.375 FJ Pine Stile Blnk Hng End-dado	93.375 [2371.73]	1.440 [36.58]	0.815 [20.70]	NO	N/A	1.578 [40.08]	0.789 [20.04]
589601010693.3752366	93.375 Single Ply with LVL Stiles Blnk FJ Pine Edge Band With Foam Kerf	93.375 [2371.73]	1.875 [47.63]	1.250 [31.75]	YES	0.563	1.550 [39.37]	0.775 [19.69]
* 582201010695.5622368	95.562 FJ Stiles Blnk OAKCRAFT SIDELITE with Foam Kerf	95.562 [2427.27]	1.220 [30.99]	0.595 [15.11]	YES	0.375	1.550 [39.37]	0.775 [19.69]
* 582201010695.562622	95.562" (Gen) FJ Stile Blnk OAKCRAFT SIDELITE	95.562 [2427.27]	1.220 [30.99]	0.595 [15.11]	NO	N/A	1.578 [40.08]	0.789 [20.04]
589601010395.5622366	95.562 Single Ply with LVL Stiles Blnk FJ Pine Edge Band With Foam Kerf	95.562 [2427.27]	1.875 [47.63]	1.250 [31.75]	YES	0.563	1.550 [39.37]	0.775 [19.69]
589601010395.5621181	95.562 Single Ply with LVL Stiles Blnk FJ Pine Edge Band	95.562 [2427.27]	1.875 [47.63]	1.250 [31.75]	NO	N/A	1.578 [40.08]	0.789 [20.04]
589601010396.5001181	96.500 Single Ply with LVL Stiles Blnk Strk FJ Pine Edge Band	96.500 [2451.10]	1.875 [47.63]	1.250 [31.75]	NO	N/A	1.578 [40.08]	0.789 [20.04]

* SIDELITE STILES CAN BE FINGER JOINTED PINE CONSTRUCTION.

ATL CAN TEST LAB NORTH
DATE 12/12/23
REPORT NO. ATLNC 0815.01-23

Keith Owen

ATL INSPECTOR

TITLE: MFL WOOD STILES FOR FIBERGLASS - PURCHASED

ORIGINAL PER REVISION: 9389 M

SHEET: 2 OF 2
DRAWN BY: JL

SCALE: NTS
SHEET SIZE: B
DATE: 7/26/2016
DRAWING: C2030387

TOLERANCES UNLESS OTHERWISE NOTED ARE:
FRACTION ± 1/32"
DECIMAL ± 0.01"
ANGLE ± 1°

MASONITE

DRAWING DESIGN AND OTHER DISCLOSURES ARE THE PROPERTY OF MASONITE DOOR CORPORATION. UNAUTHORIZED USE, MANUFACTURE OR REPRODUCTION (IN WHOLE OR IN PART) IS PROHIBITED.

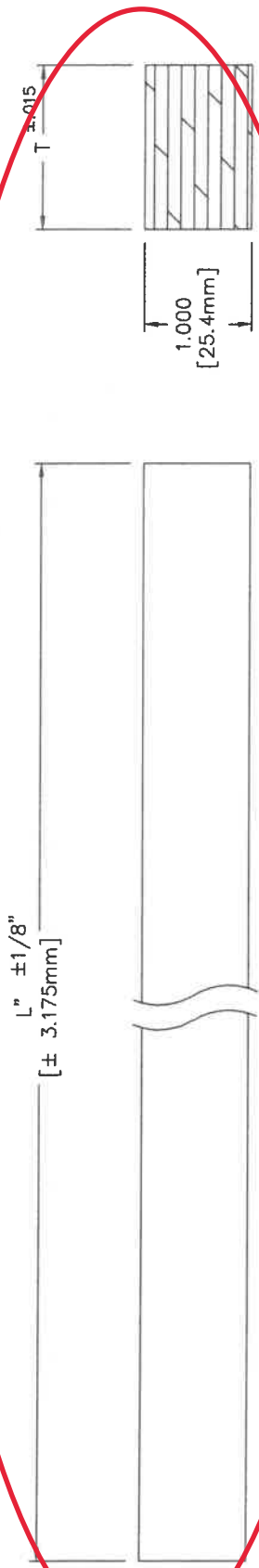
CONFIDENTIAL PROPERTY OF MASONITE PRINTED DRAWING MAY NOT BE MOST RECENT VERSION

REV.	DESCRIPTION	DATE	INIT.	ECN#
J	REVISED LENGTH & PART NUMBER	10/3/14	AAV	9049
K	ADDED 12" PART NUMBER	3/9/15	AAV	9071
L	2 PART NUMBERS ADDED	9/30/20	AAV	718
M	ADDED NOTE 3	5/19/22	AAV	940

PART #	DIM 'L'	DIM 'T'
580003200321.0002367	21"	1.545"
580003200312.0002367	12"	1.545"
580003200712.0002367	21"	1.565"
580003200721.0002367	12"	1.565"

AMERICAN TEST LAB NORTH
 DATE 12/12/23
 REPORT NO. ATLNC 0815.01-23

Keith Owen
 ATL INSPECTOR



NOTE:
 1.) SEE EMS 306393 FOR INSPECTION STANDARDS.
 2.) SEE EMS 306393 FOR MATERIAL STANDARDS.
 USE OF PARTICLEBOARD IS NOT ALLOWED.
 3.) ONE END OF THE THICK COMPONENTS (1.565" THICK)
 TO BE IDENTIFIED WITH YELLOW COLOR.

TITLE: 1" NARROW LOCK BLOCK PURCHASED

MASONITE.

TOLERANCES UNLESS OTHERWISE NOTED ARE:
 FRACTION ± 1/32"
 DECIMAL ± 0.01"
 ANGLE ± 1°

ORIGINAL ECN NO. ---

SPEC: MASONITE

DRAWN ELL 09/29/98
 CHECKED

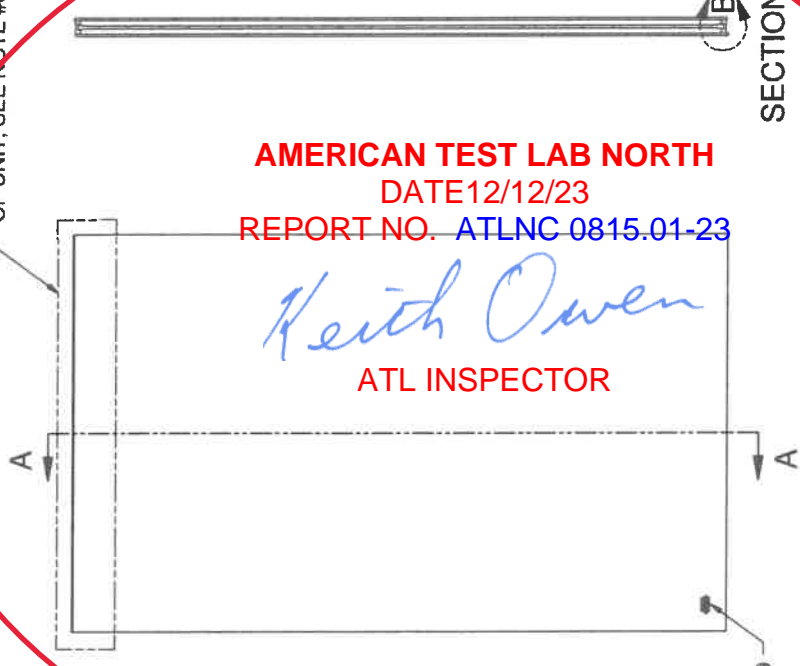
SCALE FULL

DRAWING NUMBER RW10-0008

DRAWING DESIGN AND OTHER DISCLOSURES ARE THE PROPERTY OF MASONITE DOOR CORPORATION. UNAUTHORIZED USE, MANUFACTURE OR REPRODUCTION, IN WHOLE OR IN PART, IS PROHIBITED.

REVISION HISTORY				
REV	DESCRIPTION	PCR	DRAWN BY	DATE
E	EDITED LEADER TEXT ON SHEET 2	1201	DB	10/26/2022
				AAV

CLOSURE TO BE AT TOP OF UNIT, SEE NOTE #6



AMERICAN TEST LAB NORTH
 DATE 12/12/23
 REPORT NO. ATLNC 0815.01-23

Keith Owen
 ATL INSPECTOR

NOTE:

1. PREMIUM CUSHION EDGE SPACER SHOWN, PREMIUM SUPER SPACER SIMILAR REFER TO DRAWING C2030627 FOR SPACER DETAILS.
2. SECONDARY SEAL MUST NOT EXTEND BEYOND EDGE OF GLASS.
3. RECTANGULAR LITE SHOWN. DETAIL "B" IS TYPICAL OF ALL SHAPES AND SIDES.
4. FOR IGU MANUFACTURING, INSPECTION & QUALITY REQUIREMENTS, REFER TO QUANEX SUPER SPACER INSULATING GLASS MANUFACTURING MANUAL.
5. CLOSURE MUST BE TIGHT WITH NO GAPS OR VOIDS IN SEALANT.
6. CLOSURE TO BE LOCATED AT TOP OF THE SEALED UNIT, UNLESS OTHERWISE SPECIFIED.
7. SEE SBP-EMS-0001 FOR FLAT GLASS SPECIFICATIONS.
8. SEE SBP-EMS-0006 FOR FLAT GLASS QUALITY SPECIFICATIONS.
9. TEMPER LOGOS ON BOTH PANES TO ALIGN IN SAME CORNER.
10. ALL TEMPERED GLASS MUST COMPLY WITH THE CODES AND STANDARDS LISTED IN SPEC. #SBP-EMS-0001, SECTION 3.0.
11. ALL TEMPERED GLASS TO BE MARKED WITH LOGO PER SPEC. # SBP-EMS-0001, SECTION 4.0.
12. IG UNITS TO BE 3RD PARTY CERTIFIED TO ASTM E 2190 "STANDARD SPECIFICATION FOR INSULATING GLASS UNIT FOR PERFORMANCE AND EVALUATION" AND BE MARKED PER THEIR INSPECTION AGENCY REQUIREMENTS.
13. IG CERTIFICATION LOGO TO BE SAME CORNER OF IGU AS TEMPERED GLASS LOGO.
14. FOR CONSTRUCTION DETAILS, ACCEPTABLE MATERIALS, QUALITY STANDARDS, AND PERFORMANCE REQUIREMENTS OF LAMINATED SAFETY GLASS FOR LAMINATED IGU, REFER TO MASONITE EMS # SBP-EMS-0008.
15. DIMENSIONS IN BRACKETS [XX] INDICATE METRIC mm DIMENSIONS
16. IGU EDGE SHOULD BE FREE FROM EMBEDDED PIECES OF GLASS/CARDBOARD/CORK PADS ETC.

TITLE SUPER SPACER INSULATED GLASS UNIT ASSEMBLY		ORIGINAL PCB REVISION	E
TOLERANCES UNLESS OTHERWISE NOTED ARE:	FRACTION ± 1/32"	SCALE	9576
	DECIMAL ± .031"	SHEET	1 OF 2
DRAWING DESIGN AND OTHER DISCLOSURES ARE THE PROPERTY OF MASONITE DOOR CORPORATION. UNAUTHORIZED USE, MANUFACTURE OR REPRODUCTION (IN WHOLE OR IN PART) IS PROHIBITED.	ANGLE ± 1°	SHEET SIZE	B
		DATE	5/2/2017
DRAWING		A1020319	



LOW-E COATING SURFACE (LOW-E OR LOW-E ARGON IGU)

AIR (CLEAR OR LOW-E IGU)
OR ARGON FILLED (LOW-E ARGON IGU)
(MINIMUM 90% INITIAL FILL REQUIRED)

CLEAR OR LOW-E
LAMINATED GLASS

TEMPERED GLASS/
CLEAR OR LOW-E

OPTIONAL DECORATIVE PANEL

CLEAR OR TEXTURED
TEMPERED GLASS

.500 MAX
[12.70]

.063 MAX SKEW
[1.60]
(MANUAL LINE)

PREMIUM SUPER SPACER
WITH BLACK ACRYLIC ADHESIVE

QUANEX EDGETHERM 3600
OR HB FULLER ISOMELT M
MINIMUM 7/32"

$X \pm .032$
[.81]

STANDARD IGU
DETAIL B

.031 MAX SKEW
[.79]
(AUTO LINE)

TABLE 1	
X	W
1.000	0.750
0.750	0.500
0.500	0.250

OPTIONAL DECORATIVE PANEL

CLEAR OR TEXTURED
TEMPERED GLASS

PREMIUM
SUPER SPACER
WITH BLACK
ACRYLIC ADHESIVE

.500 MAX
[12.70]

QUANEX EDGETHERM 3600
OR HB FULLER ISOMELT M
MINIMUM 7/32"

$X \pm .032$
[.81]

LAMINATED IGU
DETAIL B

.063 MAX SKEW
[1.60]
(MANUAL LINE)

TABLE 2	
X	W
1.000	0.545

.031 MAX SKEW
[.79]
(AUTO LINE)

AMERICAN TEST LAB NORTH
DATE 12/12/23
REPORT NO. ATLNC 0815.01-23

Keith Owen

ATL INSPECTOR

TITLE SUPER SPACER INSULATED GLASS UNIT ASSEMBLY

TOLERANCES UNLESS
OTHERWISE NOTED ARE:
FRACTION $\pm 1/32"$
DECIMAL $\pm .031"$
ANGLE $\pm 1'$



DRAWING DESIGN AND OTHER DISCLOSURES ARE
THE PROPERTY OF MASONITE DOOR CORPORATION.
UNAUTHORIZED USE, MANUFACTURE OR REPRODUCTION
(IN WHOLE OR IN PART) IS PROHIBITED.

ORIGINAL PCB REVISION	E
SCALE	2 OF 2
SHEET	EVT
NTS	DATE
B	5/2/2017
DRAWING	A1020319