

# 8'-0" MPDS OXO and XX Door Units Impact Lab Drawings

## Installation

- Windload Assembly Procedural Guide Composite 082517 p.11 – Anchor Detail

## Door System

- Windload Assembly Procedural Guide Composite 082517 p.2 – Double Door
- Windload Assembly Procedural Guide Composite 082517 p.4 – Single Door w/Sidelites
- C2030856 rev A p. 2 of 2 – Composite Jamb
- C2030642 rev A – Composite Header OXO
- C2030856 rev A p. 1 of 2 – Composite Header XX
- C2031231 rev A p. 1-3 – Articulating Cap Inswing Threshold
- C2030805 rev B p. 1-3 – Z-Series Outswing Threshold
- C2030321 rev F p.1-2 – Composite Inswing Mullion
- C2031448 rev A p.1-2 – Composite Outswing Mullion
- 119XX.01-109-12-53.54 rev X.001 p.7-8 – Panolock for 8'-0" Single Door
- 119XX.01-109-12-55.56 rev X.001 p.9-10 – Panolock for 8'-0" Double Door

## Flush Glazed Door Panel

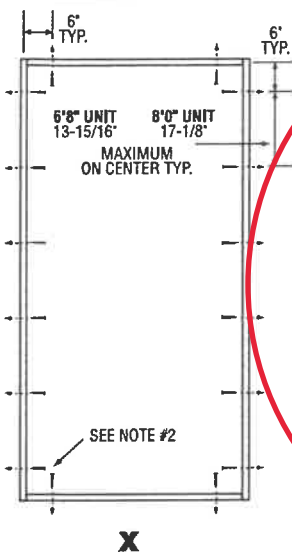
- A1020163 rev H p. 1-11 – Panel Assembly
- C2030367 rev F – Top Rail
- C2030330 rev F p. 2 of 3 – Composite Bottom Rail
- C2030387 rev M p. 1-2 – Stiles
- RW10-00008 rev M – Lock Block
- A1020319 rev D p. 1-2 – Insulated Glass

**AMERICAN TEST LAB NORTH**  
DATE 12/12/23  
REPORT NO. ATLNC 0615.01-23

*Keith Owen*

**ATL INSPECTOR**

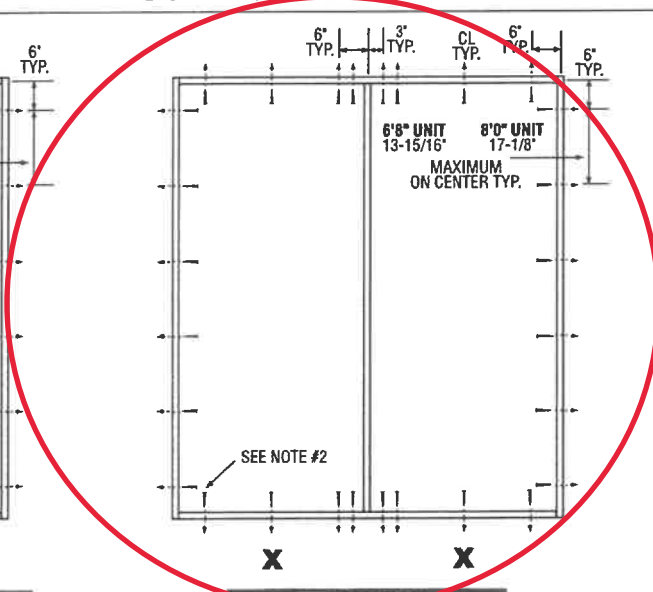
# STRUCTURAL PERFORMANCE ANCHOR DETAIL



**Minimum Fastener Count**

- 2 per horizontal framing member
- 6 per vertical framing member

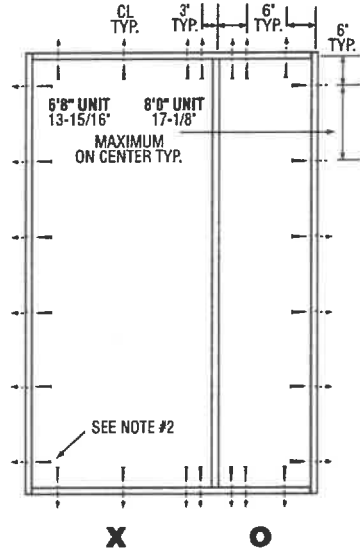
See notes for additional detail



**Minimum Fastener Count**

- 8 per horizontal framing member
- 6 per vertical framing member

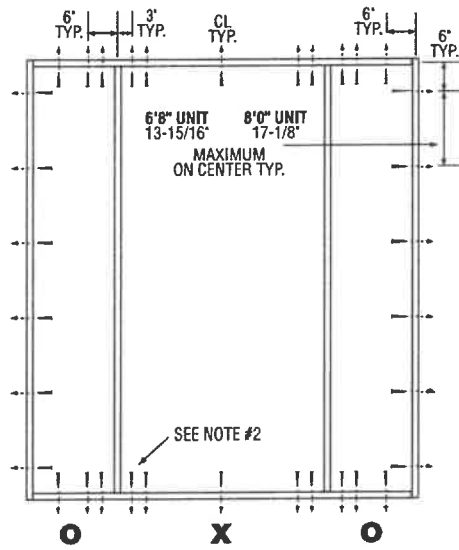
See notes for additional detail



**Minimum Fastener Count**

- 7 per horizontal framing member
- 6 per vertical framing member

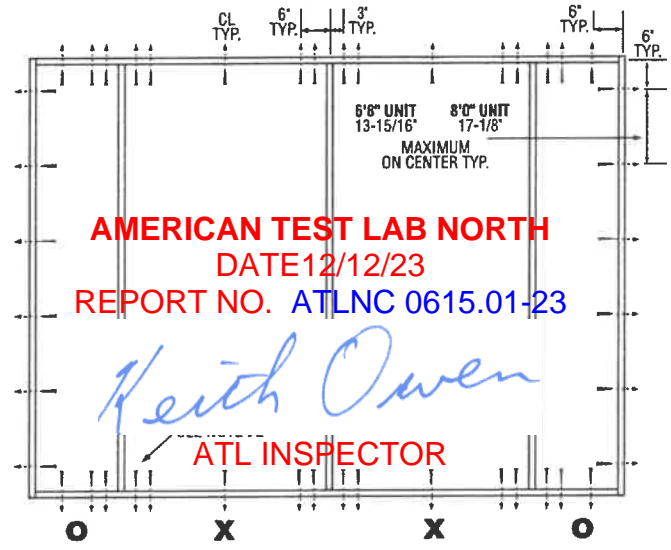
See notes for additional detail



**Minimum Fastener Count**

- 11 per horizontal framing member
- 6 per vertical framing member

See notes for additional detail



**Minimum Fastener Count**

- 16 per horizontal framing member
- 6 per vertical framing member

See notes for additional detail

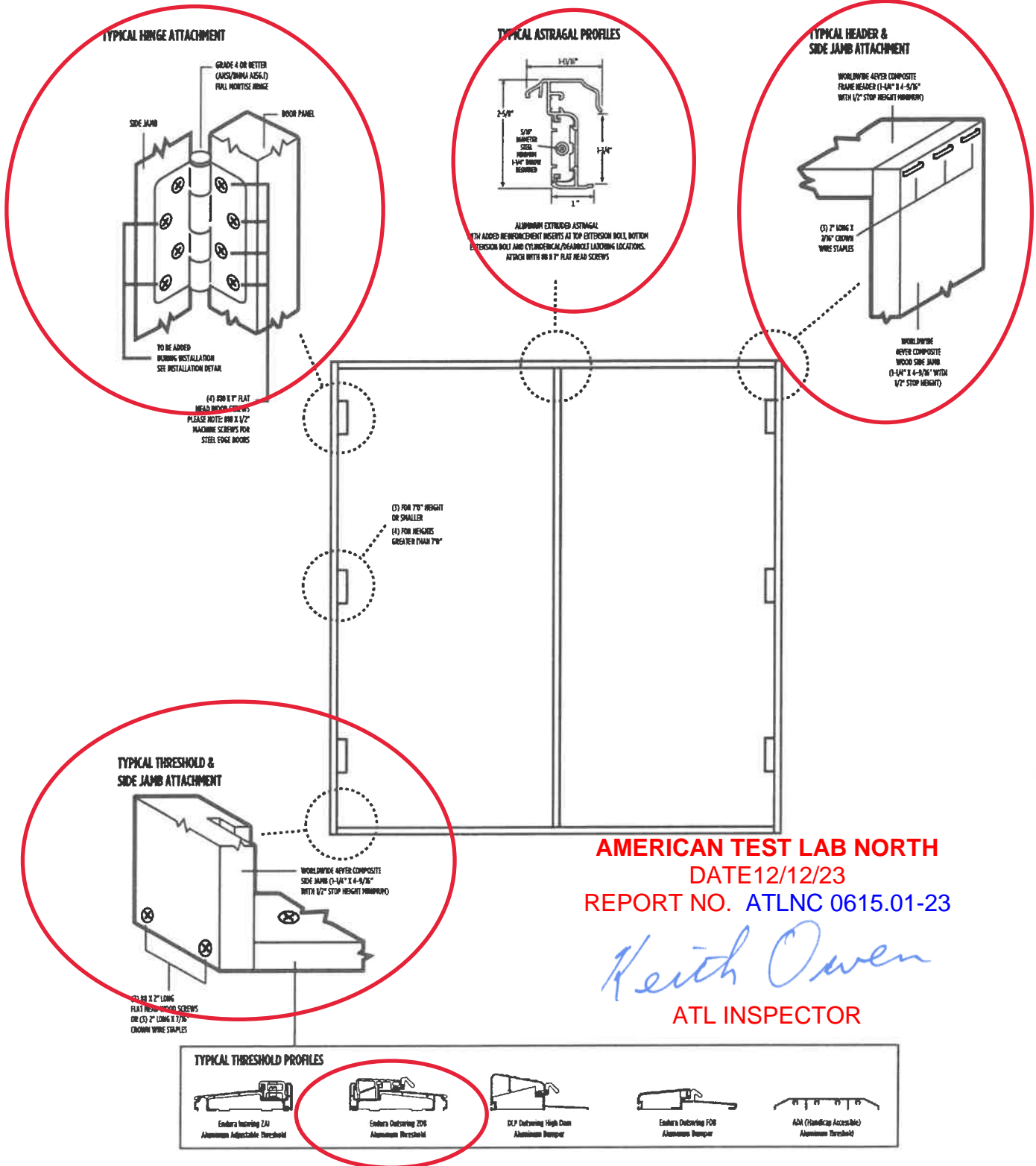
**AMERICAN TEST LAB NORTH**  
DATE 12/12/23  
REPORT NO. ATLNC 0615.01-23  
*Keith Owen*  
ATL INSPECTOR

**NOTES:**

1. Cylindrical and deadbolt hardware required at 5-1/2" centerline for 6'8" and smaller and 10-1/2" centerline for door heights greater than 6'8". Evaluated with Kwikset Series 400 latch and Series 980 deadbolt.
2. Fasteners analyzed for this unit include #10 wood screws (1-1/2" embedment) or 3/16" Tapcons (1-1/4" embedment).
3. One #10 x 2-1/2" screws required through each hinge on the vertical jamb or mullion.
4. Two #8 x 2" screws required through each strike plate.
5. Wood bucks by others, must be anchored properly to transfer loads to the structure.
6. Rough opening to accommodate no greater than 1/4" shim space.

©2017  
Our Continuing program of product improvement makes specifications design and product detail subject to change without notice



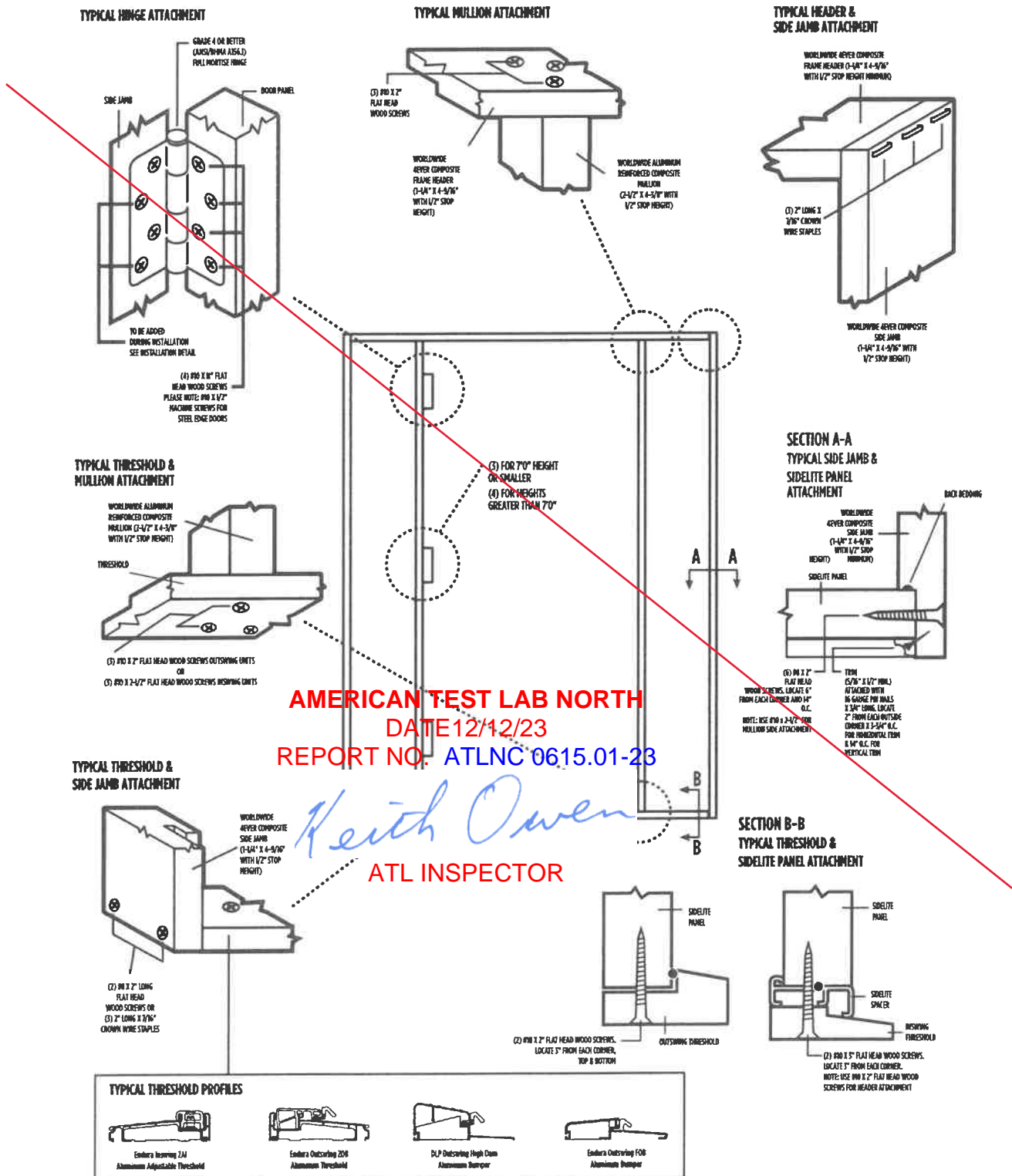


**AMERICAN TEST LAB NORTH**  
DATE 12/12/23  
REPORT NO. ATLNC 0615.01-23

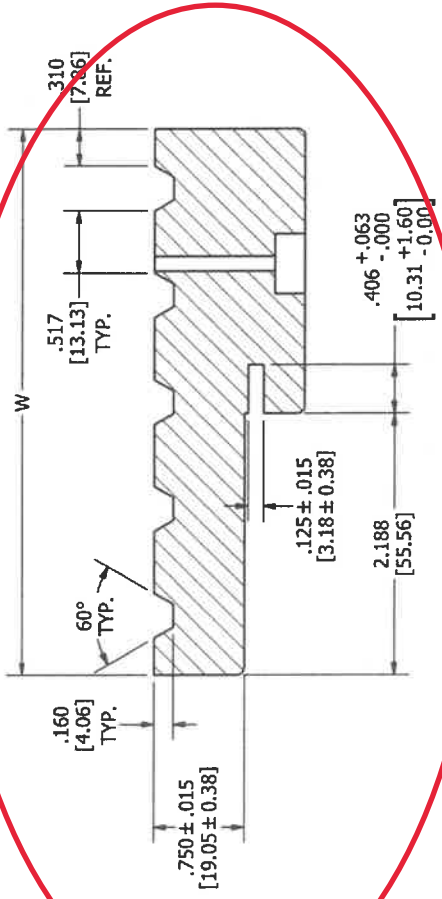
*Keith Owen*  
**ATL INSPECTOR**

© 2017  
Our Continuing program of product improvement makes specifications, design and product detail subject to change without notice

**UNIT WITH SINGLE DOOR & TWO SIDELITES**



©2017  
Our Continuing program of product improvement makes specifications design and product detail subject to change without notice.



**SECTION B-B**

PART NUMBER	DESCRIPTION	L	W
74399312546680371232	4-9/16" x 81-5/8 1-1/4" COMPOSITE PRIMED JAMB LHIS-BLK	81.875 [2079.63]	4.563 [115.89]
74399312546680371232	4-9/16" x 81-5/8 1-1/4" COMPOSITE PRIMED JAMB RHIS-BLK	81.875 [2079.63]	4.563 [115.89]
74399312546297351232	4-9/16" x 97-5/8" 1-1/4" COMPOSITE PRIMED JAMB LHIS-BLK	97.875 [2486.03]	4.563 [115.89]
74399312546297371232	4-9/16" x 97-5/8" 1-1/4" COMPOSITE PRIMED JAMB RHIS-BLK	97.875 [2486.03]	4.563 [115.89]
74399312553680351232	5-1/4" x 81-5/8 1-1/4" COMPOSITE PRIMED JAMB LHIS-BLK	81.875 [2079.63]	5.250 [133.35]
74399312553680371232	5-1/4" x 81-5/8 1-1/4" COMPOSITE PRIMED JAMB RHIS-BLK	81.875 [2079.63]	5.250 [133.35]
74399312553297351232	5-1/4" x 97-5/8" 1-1/4" COMPOSITE PRIMED JAMB LHIS-BLK	97.875 [2486.03]	5.250 [133.35]
74399312553297371232	5-1/4" x 97-5/8" 1-1/4" COMPOSITE PRIMED JAMB RHIS-BLK	97.875 [2486.03]	5.250 [133.35]
74399312566680351232	6-9/16" x 81-5/8 1-1/4" COMPOSITE PRIMED JAMB LHIS-BLK	81.875 [2079.63]	6.563 [166.69]
74399312566680371232	6-9/16" x 81-5/8 1-1/4" COMPOSITE PRIMED JAMB RHIS-BLK	81.875 [2079.63]	6.563 [166.69]
74399312566297351232	6-9/16" x 97-5/8" 1-1/4" COMPOSITE PRIMED JAMB LHIS-BLK	97.875 [2486.03]	6.563 [166.69]
74399312566297371232	6-9/16" x 97-5/8" 1-1/4" COMPOSITE PRIMED JAMB RHIS-BLK	97.875 [2486.03]	6.563 [166.69]

**NOTE:**

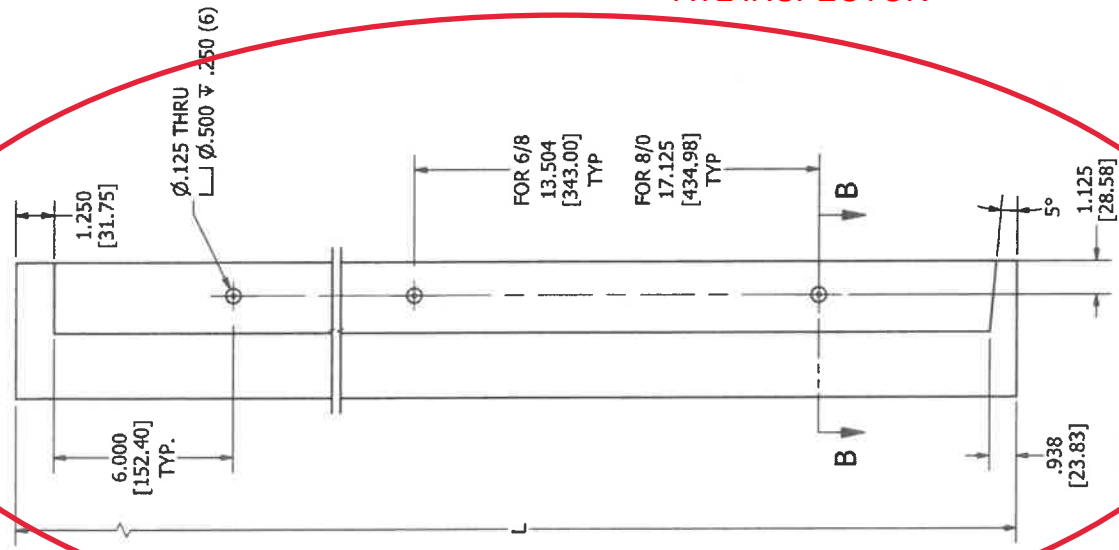
1. SYMBOL  $\odot$  INDICATES CRITICAL DIMENSION.
2. DIMENSIONS IN BRACKETS [XX] INDICATE METRIC mm DIMENSIONS.
3. RIGHT HAND SHOWN, LEFT HAND OPPOSITE.
4. SEE EMS# 07567 FOR DIMENSIONAL TOLERANCING.
5. NO ADDED LEAD ALLOWED, ALL LEAD LEVELS MUST BE LESS THAN 200PPM OR 0.02% AS TESTED BY ASTM D3335 (2005).

TITLE: ENTRY BLANK HEADER & JAMB- COMPOSITE WORLDWIDE

ORIGINAL PDR No.	REV: A
SCALE: NTS	DRAWN BY: 4/21/2018
TOLERANCES UNLESS OTHERWISE NOTED ARE: FRACTION ± 1/32" DECIMAL ± .031" ANGLE ± 1'	ET/610
DRAWING DESIGN AN OTHER DISCLOSURES ARE THE PROPERTY OF MASONITE DOOR CORPORATION. UNAUTHORIZED USE, MANUFACTURE OR REPRODUCTION, IN WHOLE OR IN PART, IS PROHIBITED.	SHEET: B SHEET: 2 OF 2
<b>MASONITE</b>	DRAWING No. C2030856

**AMERICAN TEST LAB NORTH**  
 DATE 12/12/23  
 REPORT NO. ATLNC 0615.01-23

*Keith Owen*  
 ATL INSPECTOR



CONFIDENTIAL  
 PROPERTY OF MASONITE

IF PRINTED, MAY NOT BE MOST RECENT VERSION

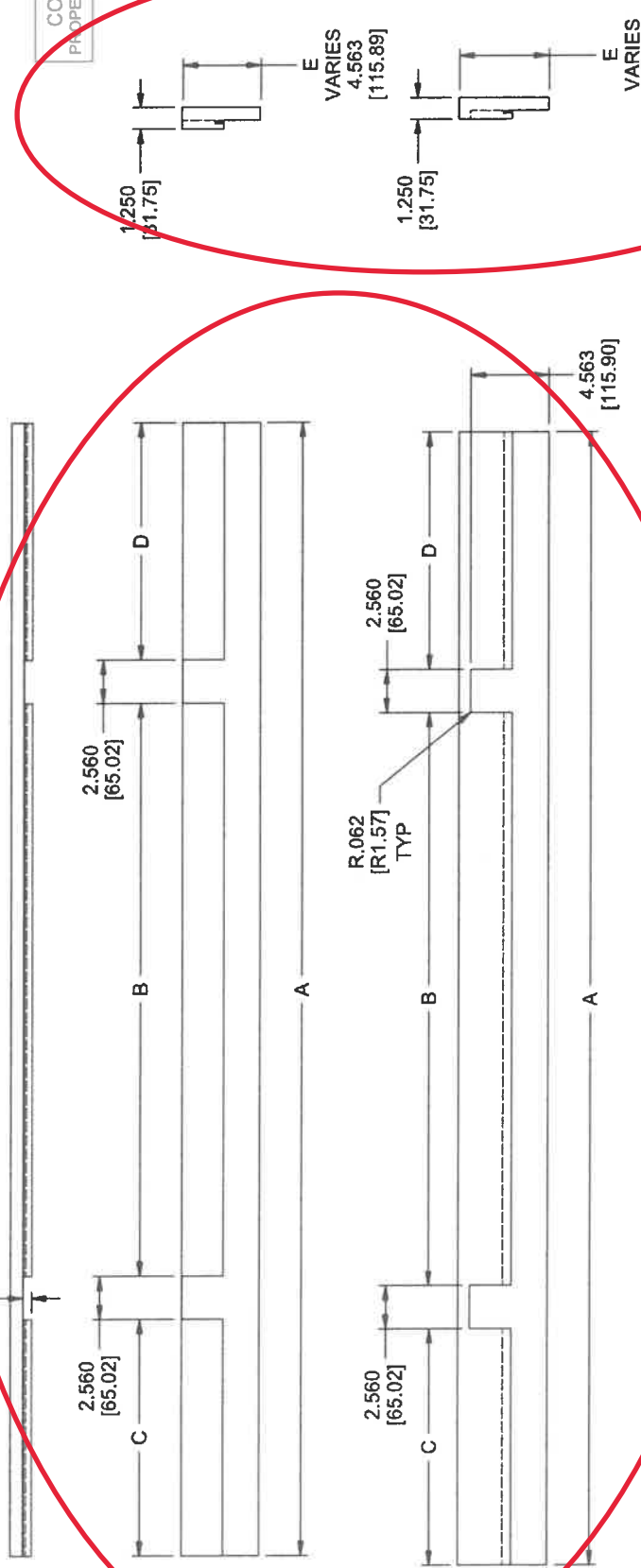
**AMERICAN TEST LAB NORTH**  
 DATE 12/12/23  
 REPORT NO. ATLNC 0615.01-23

*Keith Owen*  
**ATL INSPECTOR**

REVISION HISTORY			
REV	DESCRIPTION	PCR	DRW BY
A	RELEASED	9449	EVT

DATE	CHK BY
06/21/17	BK

CONFIDENTIAL  
 PROPERTY OF MASONITE



PART NUMBER	A	B	C	D	E	DESCRIPTION
	67,000	35,000	13,440	13,440	4,563	4-9/16" x 1/2-3/8-1/2 x 1-1/4" Composite
	63,000	35,000	11,440	11,440	4,563	4-9/16" x 1/2-3/8-1/2 x 1-1/4" Composite
	67,000	35,000	13,440	13,440	6,563	6-9/16" x 1/2-3/8-1/2 x 1-1/4" Composite
	63,000	35,000	11,440	11,440	6,563	6-9/16" x 1/2-3/8-1/2 x 1-1/4" Composite
	53,000	35,000	13,440	OMIT	VARIES	1/2-3/8
	53,000	35,000	13,440	OMIT	VARIES	3/8-1/2
	51,000	35,000	11,440	OMIT	VARIES	1/2-3/8
	51,000	35,000	11,440	OMIT	VARIES	3/8-1/2
	63,000	31,000	13,440	13,440	4,563	4-9/16" x 1/2-2/8-1/2 x 1-1/4" Composite
	53,000	31,000	13,440	13,440	6,563	6-9/16" x 1/2-2/8-1/2 x 1-1/4" Composite
	61,000	29,000	13,440	13,440	4,563	4-9/16" x 1/2-2/8-1/2 x 1-1/4" Composite
	57,000	29,000	11,440	11,440	VARIES	1/0-2/8-1/0

**NOTE:**  
 1. REFER TO DRAWING E-F-BJIS FOR JAMB PROFILE DETAILS  
 2. REFER TO EMS # 07567 FOR COMPLETE SPECS  
 3. REFER TO EMS # 72401 FOR COLOR SPECS  
 4. PARTS MUST CONFORM TO WOOD MOULDING AND MILL WORK PRODUCER STANDARD WM3-79  
 5. SYMBOL (C) INDICATES CRITICAL DIMENSION  
 6. DIMENSIONS IN BRACKETS [XX] INDICATE METRIC mm DIMENSIONS

TITLE: CONTINUOUS HEADER FOR 2-1/2" X 4-9/16" MULL

REV: A	ORIGINAL PCN NO: 9449	SCALE: NTS	FRACTION ± 1/32"
DRAWN: 05/25/17	SHEET SIZE: B	DECIMAL ± .031"	ANGLE ± 1°
DRAWN BY: EVT	SHEET: 1 OF 1	TOLERANCES UNLESS OTHERWISE NOTED ARE:	
DRAWING DESIGN AND OTHER DISCLOSURES ARE THE PROPERTY OF MASONITE DOOR CORPORATION. UNAUTHORIZED USE, MANUFACTURE OR REPRODUCTION, IN WHOLE OR IN PART, IS PROHIBITED.			



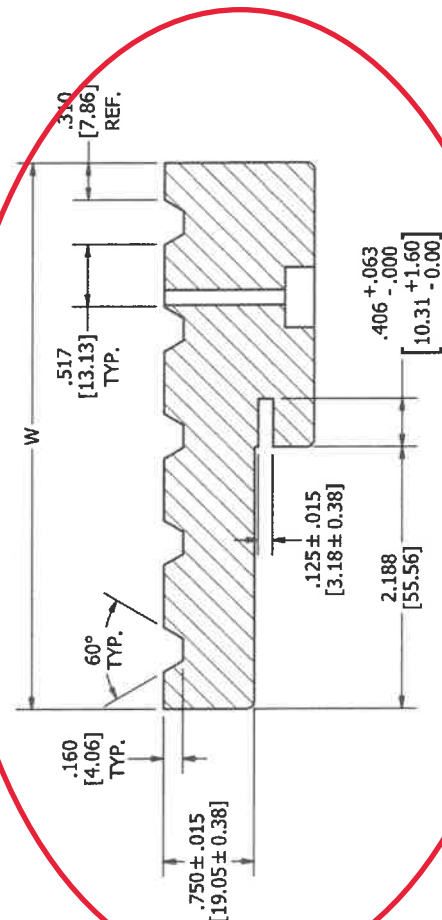
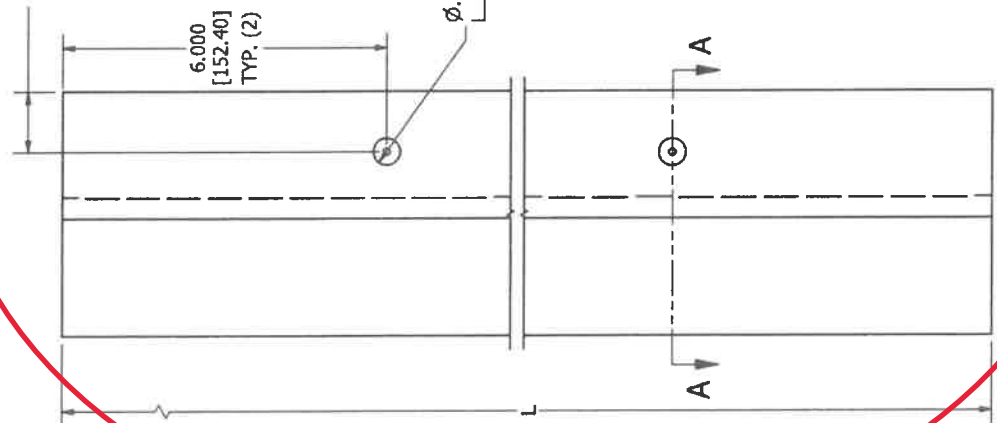
IF PRINTED MAY NOT BE MOST RECENT VERSION

DRAWING NO. C2030642

REV	DESCRIPTION	PCR	DRAWN BY	DATE	APPROVED
A	RELEASED	167	E Itejo	5/22/2018	BK

REVISION HISTORY					
REV	DESCRIPTION	PCR	DRAWN BY	DATE	APPROVED
A	RELEASED	167	E Itejo	5/22/2018	BK

1.125 [28.58] FOR 4-9/16" & 5-1/4" &  
 2.125 [53.98] FOR 6-9/16" TYP. (2)



SECTION A-A

PART #	DESCRIPTION	L	W
74399312546978101232	4-9/16" X 3/0 X 1-1/4" COMPOSITE PRIMED JAMB HEAD	36.000 [914.40]	4.563 [115.89]
4399312546988101232	4-9/16" X 6/0 X 1-1/4" COMPOSITE PRIMED JAMB HEAD	72.500 [1841.50]	4.563 [115.89]
4399312553978101232	5-1/4" X 3/0 X 1-1/4" COMPOSITE PRIMED JAMB HEAD	36.000 [914.40]	5.250 [133.35]
4399312553988101232	5-1/4" X 6/0 X 1-1/4" COMPOSITE PRIMED JAMB HEAD	72.500 [1841.50]	5.250 [133.35]
74399312566978101232	6-9/16" X 3/0 X 1-1/4" COMPOSITE PRIMED JAMB HEAD	36.000 [914.40]	6.563 [166.69]
4399312566988101232	6-9/16" X 6/0 X 1-1/4" COMPOSITE PRIMED JAMB HEAD	72.500 [1841.50]	6.563 [166.69]

NOTE:

1. SYMBOL (C) INDICATES CRITICAL DIMENSION.
2. DIMENSIONS IN BRACKETS (XX) INDICATE METRIC DIMENSIONS.
3. SEE EMS# 07567 FOR DIMENSIONAL TOLERANCING.
4. NO ADDED LEAD ALLOWED. ALL LEAD LEVEL MUST BE LESS THAN 200PPM OR 0.02% AS TESTED BY ASTM D3335 (2005).

TITLE: ENTRY BLANK HEADER & JAMB- COMPOSITE WORLDWIDE

ORIGINAL PCR No.	REV: A
SCALE: NTS	DRAWN BY: E Itejo
TOLERANCES UNLESS OTHERWISE NOTED ARE:	SHEET: B
FRACTION ± 1/32" DECIMAL ± .031" ANGLE ± 1°	SHEET: 1 OF 2
DRAWING No. C2030856	



AMERICAN TEST LAB NORTH  
 DATE 12/12/23  
 REPORT NO. ATLNC 0615.01-23

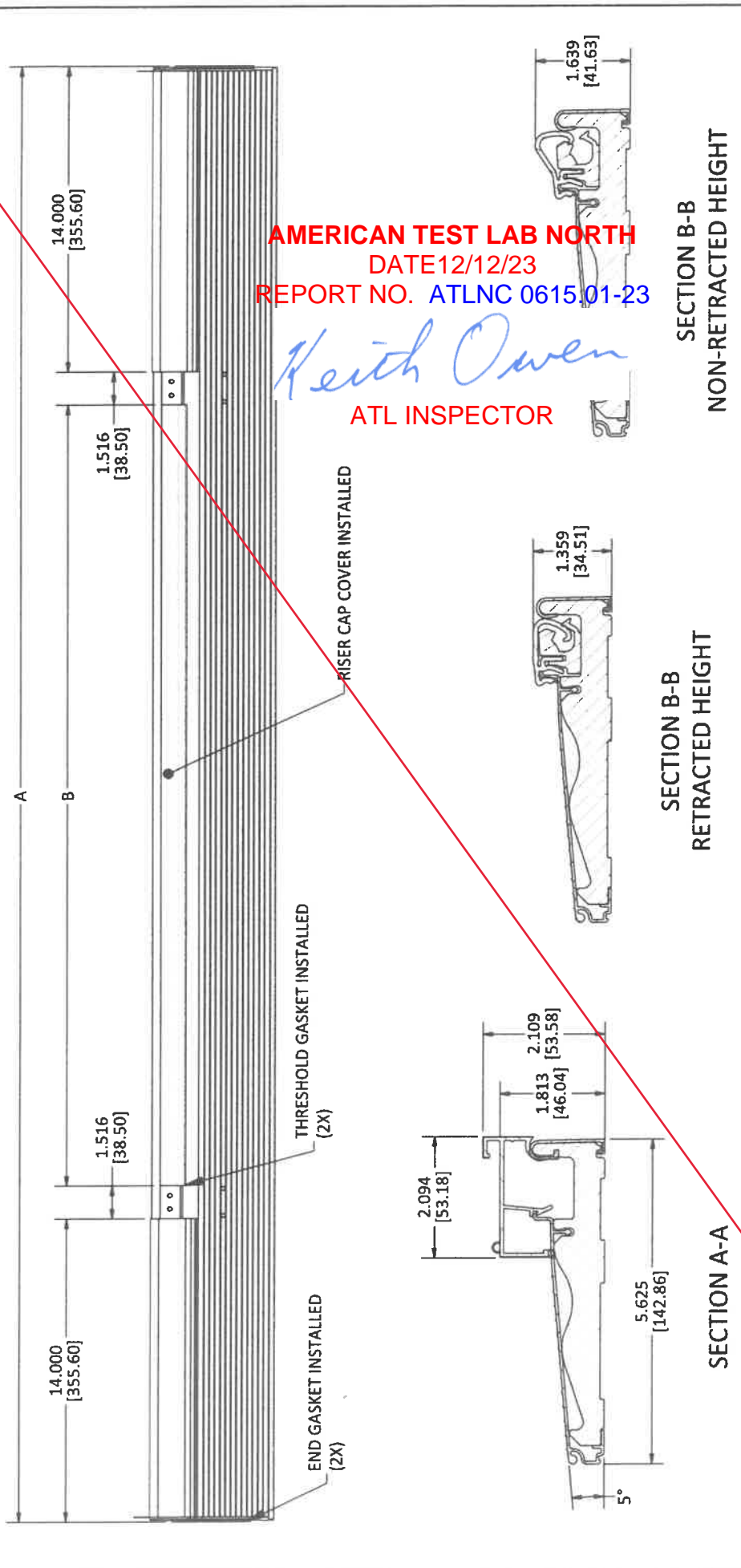
*Keith Owen*

ATL INSPECTOR

CONFIDENTIAL  
 PROPERTY OF MASONITE

IF PRINTED MAY NOT BE MOST RECENT VERSION

REVISION HISTORY			
REV	DESCRIPTION	PCR	DATE
A	RELEASED	653/813	08/05/2021
		ET	
			APPROVED
			SM



AMERICAN TEST LAB NORTH  
 DATE 12/12/23  
 REPORT NO. ATLNC 0615.01-23

*Keith Owen*  
 ATL INSPECTOR

TITLE		5-5/8" CONTINUOUS ARTICULATING SILL WITH SUBSTRATE	
ORIGINAL PCR	REVISION	A	
653/813	SHEET	1 OF 3	
SCALE	NTS	DATE	EVT
	B	2/10/2021	
DRAWING		C2031231	

TOLERANCES UNLESS OTHERWISE NOTED ARE:  
 FRACTION ± 1/32"  
 DECIMAL ± .031"  
 ANGLE ± 1°

DRAWING DESIGN AND OTHER DISCLOSURES ARE THE PROPERTY OF MASONITE DOOR CORPORATION. UNAUTHORIZED USE, MANUFACTURE OR REPRODUCTION (IN WHOLE OR IN PART) IS PROHIBITED.

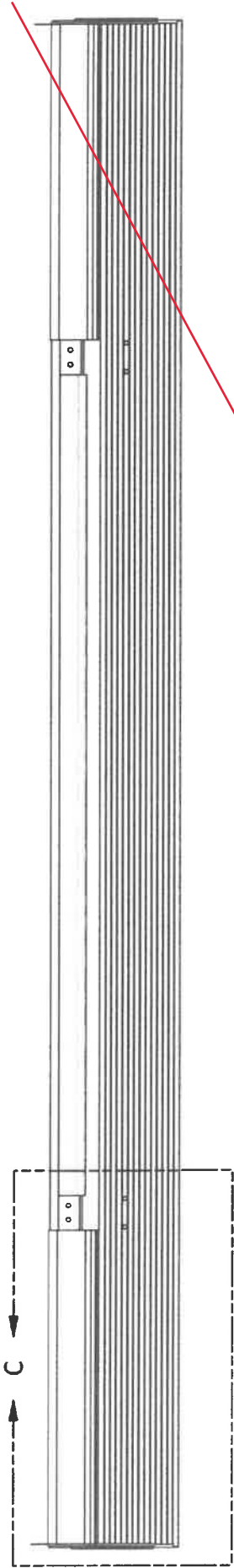


- NOTE:
1. SILL TO HAVE LINEAL SUBSTRATE FOR ABILITY TO CUT DOWN
  2. DIMENSIONS IN BRACKETS [XX] INDICATE METRIC mm DIMENSIONS
  3. SYMBOL Ⓞ INDICATES CRITICAL DIMENSION

CONFIDENTIAL - PROPERTY OF MASONITE PRINTED DRAWING MAY NOT BE MOST RECENT VERSION

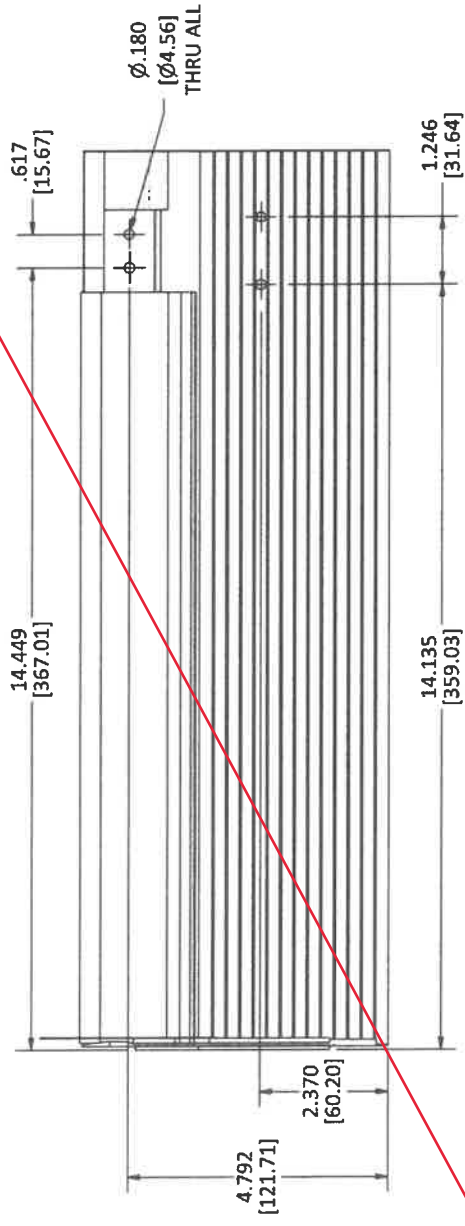


Revised



**AMERICAN TEST LAB NORTH**  
 DATE 12/12/23  
 REPORT NO. ATLNC 0615.01-23

*Keith Owen*  
**ATL INSPECTOR**



**DETAIL C  
 (2 PLACES)**

<b>TOLERANCES UNLESS OTHERWISE NOTED ARE:</b> FRACTION $\pm 1/32"$ DECIMAL $\pm .031"$ ANGLE $\pm 1'$	ORIGINAL PCB REVISION <b>A</b>
	SHEET <b>2 OF 3</b>
DRAWING DESIGN AND OTHER DISCLOSURES ARE THE PROPERTY OF MASONITE DOOR CORPORATION. UNAUTHORIZED USE, MANUFACTURE OR REPRODUCTION (IN WHOLE OR IN PART) IS PROHIBITED.	DRAWN BY <b>EVT</b>
<b>MASONITE.</b>	SHEET SIZE <b>B</b>
<b>5-5/8" CONTINUOUS ARTICULATING SILL WITH SUBSTRATE</b>	DATE <b>2/10/2021</b>
	DRAWING <b>C2031231</b>

**NOTE:**  
 1. DIMENSIONS IN BRACKETS [XX] INDICATE METRIC mm DIMENSIONS.  
 2. SYMBOL Ⓢ INDICATES CRITICAL DIMENSION.

*CONFIDENTIAL PROPERTY OF MASONITE PRINTED DRAWING MAY NOT BE MOST RECENT VERSION*

Released

**AMERICAN TEST LAB NORTH**  
DATE 12/12/23  
REPORT NO. ATLNC 0615.01-23

*Keith Owen*  
ATL INSPECTOR

Part Number	Description	A	B
232273019.00	1/2-2/8-1/2 X 5-5/8 1/S BLACK CAP ARTICULATING SILL MILL FINISH W/SUB	63.000 [1600.20]	31.969 [812.01]
232273020.00	1/2-3/0-1/2 X 5-5/8 1/S BLACK CAP ARTICULATING SILL MILL FINISH W/SUB	67.000 [1701.80]	35.969 [913.61]
232283019.00	1/2-2/8-1/2 X 5-5/8 1/S BLACK CAP ARTICULATING SILL BRONZE FINISH W/SUB	63.000 [1600.20]	31.969 [812.01]
232283020.00	1/2-3/0-1/2 X 5-5/8 1/S BLACK CAP ARTICULATING SILL BRONZE FINISH W/SUB	67.000 [1701.80]	35.969 [913.61]

**NOTE:**  
1. DIMENSIONS IN BRACKETS [XX] INDICATE METRIC DIMENSIONS.  
2. SYMBOL Ⓢ INDICATES CRITICAL DIMENSION.

<b>TITLE</b> 5-5/8" CONTINUOUS ARTICULATING SILL WITH SUBSTRATE		<b>ORIGINAL PER REVISION</b>
		653/813 <b>A</b>
		<b>SCALE</b> NTS
		<b>SHEET</b> 3 OF 3
		<b>DRAWN BY</b> EVT
		<b>SHEET SIZE</b> B
		<b>DATE</b> 2/10/2021
		<b>DRAWING</b>
<b>MASONITE</b>		<b>C2031231</b>
<small>TOLERANCES UNLESS OTHERWISE NOTED ARE:          FRACTION ± 1/32"          DECIMAL ± .031"          ANGLE ± 1°          DRAWING DESIGN AND OTHER DISCLOSURES ARE THE PROPERTY OF MASONITE DOOR CORPORATION. UNAUTHORIZED USE, MANUFACTURE OR REPRODUCTION (IN WHOLE OR IN PART) IS PROHIBITED.</small>		

CONFIDENTIAL PROPERTY OF MASONITE PRINTED DRAWING MAY NOT BE MOST RECENT VERSION

REVISION HISTORY

REV	DESCRIPTION	PCR	DRW BY	DATE	CHK BY
A	RELEASE OVERALL WIDTH DIM REVISED, SILL NAME CHANGED TO Z-SERIES	9769	EVT	03/09/18	BK
B		591	EVT	11/08/19	BK



AMERICAN TEST LAB NORTH  
DATE 12/12/23  
REPORT NO. ATLNC 0615.01-23

*Keith Owen*  
ATL INSPECTOR

PART #	SIZE	DIM. L	ALUMINIUM COVER & CAP FINISH	DESCRIPTION
23161526.000	2/8	30.000 [762.00]	MILL & WOODGRAIN	2/8 X 4-9/16 Z SILL
23162526.000	2/8	30.000 [762.00]	BRONZE & WOODGRAIN	2/8 X 4-9/16 Z SILL
23163526.000	2/8	30.000 [762.00]	MILL & BLACK	2/8 X 4-9/16 Z SILL
23164526.000	2/8	30.000 [762.00]	BRONZE & BLACK	2/8 X 4-9/16 Z SILL
23161528.000	2/8	32.000 [812.80]	MILL & WOODGRAIN	2/8 X 4-9/16 Z SILL
23162528.000	2/8	32.000 [812.80]	BRONZE & WOODGRAIN	2/8 X 4-9/16 Z SILL
23163528.000	2/8	32.000 [812.80]	MILL & BLACK	2/8 X 4-9/16 Z SILL
23164528.000	2/8	32.000 [812.80]	BRONZE & BLACK	2/8 X 4-9/16 Z SILL
23161530.000	3/0	36.000 [914.40]	MILL & WOODGRAIN	3/0 X 4-9/16 Z SILL
23162530.000	3/0	36.000 [914.40]	BRONZE & WOODGRAIN	3/0 X 4-9/16 Z SILL
23163530.000	3/0	36.000 [914.40]	MILL & BLACK	3/0 X 4-9/16 Z SILL
23164530.000	3/0	36.000 [914.40]	BRONZE & BLACK	3/0 X 4-9/16 Z SILL
23161572.000	6/0	72.500 [1841.50]	MILL & WOODGRAIN	6/0 X 4-9/16 Z SILL
23162572.000	6/0	72.500 [1841.50]	BRONZE & WOODGRAIN	6/0 X 4-9/16 Z SILL
23163572.000	6/0	72.500 [1841.50]	MILL & BLACK	6/0 X 4-9/16 Z SILL
23164572.000	6/0	72.500 [1841.50]	BRONZE & BLACK	6/0 X 4-9/16 Z SILL

NOTE:

- SUBSTRATE TO BE CONTINUOUS AND FASTENED IN PLACE. CAVITY SUBSTRATE WITH SOLID BLOCKS (MIN 3") ON ENDS IS ACCEPTABLE ON SILLS 36" AND SMALLER.
- BRONZE WEATHER-STRIP AND MATCHING SIDELITE PANEL SPACERS TO BE INSTALLED WHERE APPLICABLE.
- SYMBOL (C) INDICATES CRITICAL DIMENSION
- ALL DIMENSIONS IN BRACKETS [XX] INDICATE METRIC mm DIMENSIONS

TITLE: Z-SERIES OUTSWING BUMPER SILL

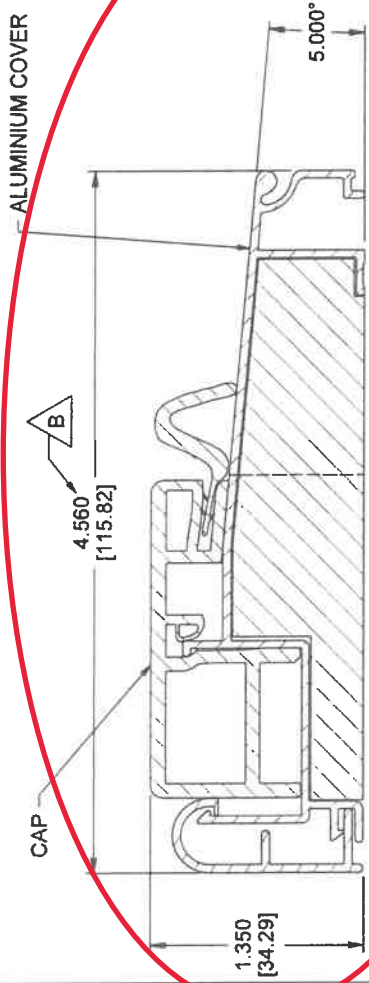
ORIGINAL PCN NO. 9769	REV: B
SCALE: NTS	DRAWN BY: EVT
SHEET SIZE: B	DATE: 01/23/18
DRAWING NO.: C2030805	
SHEET: 1 OF 3	



MASONITE

CONFIDENTIAL  
PROPERTY OF MASONITE

SECTION A-A



IF PRINTED MAY NOT BE MOST RECENT VERSION

**AMERICAN TEST LAB NORTH**  
 DATE 12/12/23  
 REPORT NO. ATLNC 0615.01-23

*Keith Owen*  
 ATL INSPECTOR

REV:	B
ORIGINAL PCN NO.:	9769
SCALE:	NTS
SHEET SIZE:	B
DRAWING NO.:	C2030805
DRAWN BY:	EVT
DATE:	01/23/18
SHEET:	2 OF 3

TITLE: Z-SERIES OUTSWING BUMPER SILL

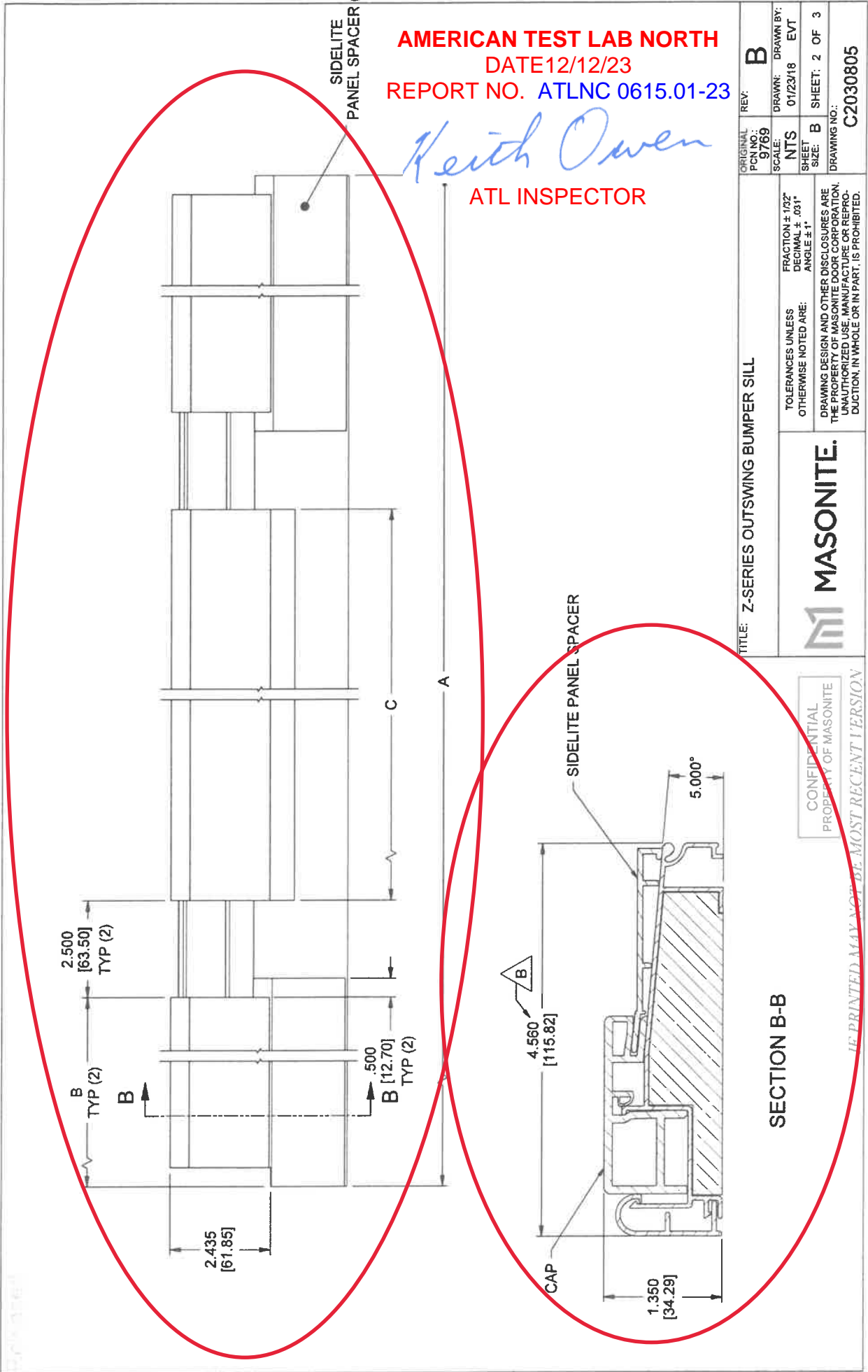
TOLERANCES UNLESS OTHERWISE NOTED ARE:  
 FRACTION ± 1/32"  
 DECIMAL ± .031"  
 ANGLE ± 1°

DRAWING DESIGN AND OTHER DISCLOSURES ARE THE PROPERTY OF MASONITE DOOR CORPORATION. UNAUTHORIZED USE, MANUFACTURE OR REPRODUCTION, IN WHOLE OR IN PART, IS PROHIBITED.



CONFIDENTIAL  
 PROPERTY OF MASONITE

IF PRINTED MAY NOT BE MOST RECENT VERSION



SIDELITE  
 PANEL SPACER (2)

SIDELITE PANEL SPACER

SECTION B-B

AMERICAN TEST LAB NORTH  
 DATE 12/12/23  
 REPORT NO. ATLNC 0615.01-23

*Keith Owen*  
 ATL INSPECTOR

PART #	DIM. A	DIM. B	DIM. C	ALUMINUM CAP & CAP FINISH	DESCRIPTION
231613023.00	59.000 [1498.60]	11.500 [292.10]	31.000 [787.40]	MILL & WOODGRAIN	1/0-2/8-1/0 X 4-9/16 Z SILL W/ SUB
231623023.00	59.000 [1498.60]	11.500 [292.10]	31.000 [787.40]	BRONZE & WOODGRAIN	1/0-2/8-1/0 X 4-9/16 Z SILL W/ SUB
231633023.00	59.000 [1498.60]	11.500 [292.10]	31.000 [787.40]	MILL & BLACK	1/0-2/8-1/0 X 4-9/16 Z SILL W/ SUB
231643023.00	59.000 [1498.60]	11.500 [292.10]	31.000 [787.40]	BRONZE & BLACK	1/0-2/8-1/0 X 4-9/16 Z SILL W/ SUB
231613014.00	63.000 [1600.20]	11.500 [292.10]	35.000 [889.00]	MILL & WOODGRAIN	1/0-3/0-1/0 X 4-9/16 Z SILL W/ SUB
231623014.00	63.000 [1600.20]	11.500 [292.10]	35.000 [889.00]	BRONZE & WOODGRAIN	1/0-3/0-1/0 X 4-9/16 Z SILL W/ SUB
231633014.00	63.000 [1600.20]	11.500 [292.10]	35.000 [889.00]	MILL & BLACK	1/0-3/0-1/0 X 4-9/16 Z SILL W/ SUB
231643014.00	63.000 [1600.20]	11.500 [292.10]	35.000 [889.00]	BRONZE & BLACK	1/0-3/0-1/0 X 4-9/16 Z SILL W/ SUB
231623019.00	63.000 [1600.20]	13.500 [342.90]	31.000 [787.40]	MILL & WOODGRAIN	1/2-2/8-1/2 X 4-9/16 Z SILL W/ SUB
231633019.00	63.000 [1600.20]	13.500 [342.90]	31.000 [787.40]	BRONZE & WOODGRAIN	1/2-2/8-1/2 X 4-9/16 Z SILL W/ SUB
231643019.00	63.000 [1600.20]	13.500 [342.90]	31.000 [787.40]	MILL & BLACK	1/2-2/8-1/2 X 4-9/16 Z SILL W/ SUB
231653019.00	63.000 [1600.20]	13.500 [342.90]	31.000 [787.40]	BRONZE & BLACK	1/2-2/8-1/2 X 4-9/16 Z SILL W/ SUB
231613020.00	67.000 [1701.80]	13.500 [342.90]	35.000 [889.00]	MILL & WOODGRAIN	1/2-3/0-1/2 X 4-9/16 Z SILL W/ SUB
231623020.00	67.000 [1701.80]	13.500 [342.90]	35.000 [889.00]	BRONZE & WOODGRAIN	1/2-3/0-1/2 X 4-9/16 Z SILL W/ SUB
231633020.00	67.000 [1701.80]	13.500 [342.90]	35.000 [889.00]	MILL & BLACK	1/2-3/0-1/2 X 4-9/16 Z SILL W/ SUB
231643020.00	67.000 [1701.80]	13.500 [342.90]	35.000 [889.00]	BRONZE & BLACK	1/2-3/0-1/2 X 4-9/16 Z SILL W/ SUB

TITLE: Z-SERIES OUTSWING BUMPER SILL



**MASONITE.**

TOLERANCES UNLESS OTHERWISE NOTED ARE:  
 FRACTION ± 1/32"  
 DECIMAL ± .031"  
 ANGLE ± 1°

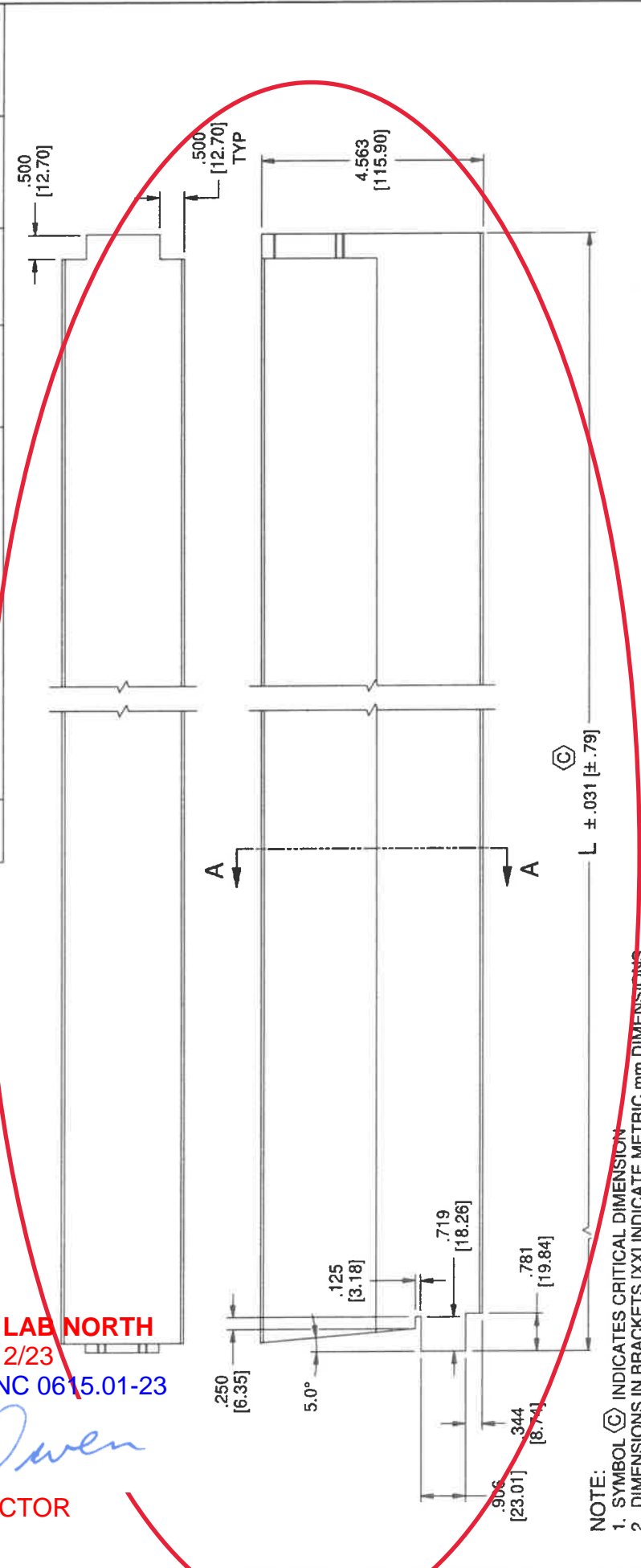
DRAWING DESIGN AND OTHER DISCLOSURES ARE THE PROPERTY OF MASONITE CORPORATION. UNAUTHORIZED USE, MANUFACTURE OR REPRODUCTION, IN WHOLE OR IN PART, IS PROHIBITED.

ORIGINAL REV: **B**  
 PCN NO.: 9769  
 SCALE: NTS  
 SHEET SIZE: B  
 DRAWN BY: 01/23/18 EVT  
 SHEET: 3 OF 3  
 DRAWING NO.: C2030805

IF PRINTED MAY NOT BE MOST RECENT VERSION

REVISION HISTORY

REV	DESCRIPTION	PCR	DRAWN BY	DATE	APPROVED
D	DIMENSION 79.612 WAS 79.532 DIMENSION 95.612 WAS 95.532 SEE SHEET 4. NOTE 6 & 7 ADDED.	591	EVT	11/08/19	BK
E	CHANGED TOLERANCE ON SHEET 4 FROM +/- .015 TO +/- .031. CHANGED SHEET TITLES, SHEET 2 MOVED TO C2031447; SHEET 3 MOVED TO C2031448.	1191	DB	07/12/2022	SM
F		1239	DB	10/04/2022	SM



AMERICAN TEST LAB NORTH  
 DATE 12/12/23  
 REPORT NO. ATLNC 0615.01-23

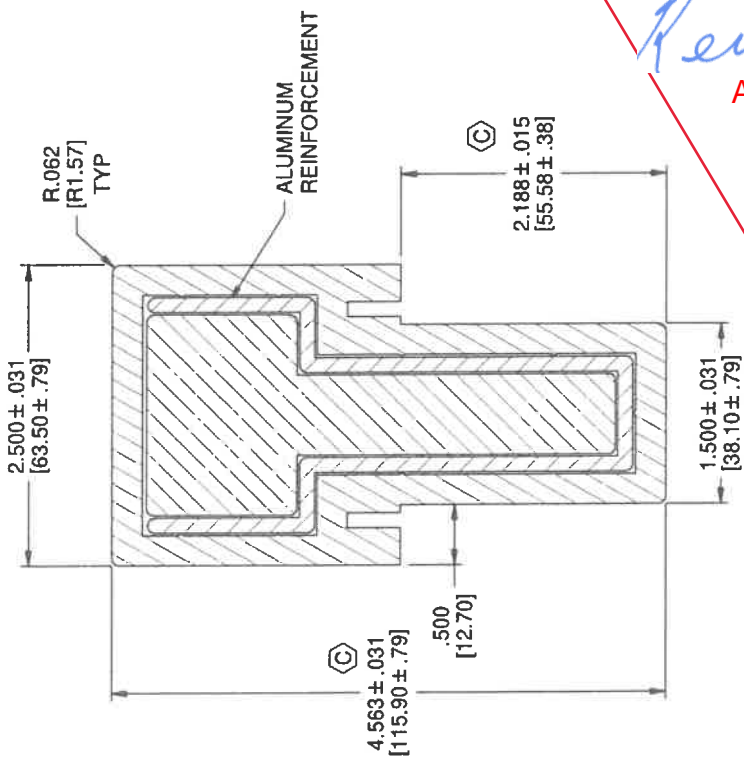
*Keith Owen*  
 ATL INSPECTOR

- NOTE:
1. SYMBOL  $\text{\textcircled{C}}$  INDICATES CRITICAL DIMENSION
  2. DIMENSIONS IN BRACKETS [XX] INDICATE METRIC mm DIMENSIONS
  3. BREAK ALL SHARP EDGES .016 UNLESS OTHERWISE SPECIFIED
  4. REFER TO EMS#07567 FOR COMPLETE SPECIFICATIONS AND DIMENSIONAL TOLERANCING
  5. REFER TO EMS#072401 FOR WHITE COLOR SPECIFICATION
  6. MATERIAL: RIGID POLY-FIBER FORMULATION WITH CLOSED CELLULAR STRUCTURE (WITH ALUMINUM REINFORCEMENT AS SHOWN)
  7. TEXTURE: MULL POSTS TO BE OAK GRAIN TAN COLOR

CONFIDENTIAL PROPERTY OF MASONITE PRINTED DRAWING MAY NOT BE MOST RECENT VERSION

TITLE		INSWING BLANK MULLION - 2 1/2" THICK ENTRY	
ORIGINAL PER REVISION	SCALE	SHEET	DRAWN BY
9405	NTS	1 OF 2	JL
		SHEET SIZE	DATE
		B	5/13/2016
TOLERANCES UNLESS OTHERWISE NOTED ARE:		DRAWING	
FRACTION ± 1/32"		C2030321	
DECIMAL ± .031"			
ANGLE ± 1°			
DRAWING DESIGN AND OTHER DISCLOSURES ARE THE PROPERTY OF MASONITE DOOR CORPORATION. UNAUTHORIZED USE, MANUFACTURE OR REPRODUCTION (IN WHOLE OR IN PART) IS PROHIBITED.			

Rollwood



SECTION A-A

INSWING MULLION		L
PART NUMBER	DESCRIPTION	
747444000469860010	4-9/16" x 6/8 SMOOTH PRIMED WHITE REINFORCED COMPOSITE MULL	80.344 [2040.73]
747444000469870010	4-9/16" x 8/0 SMOOTH PRIMED WHITE REINFORCED COMPOSITE MULL	96.344 [2447.13]
747544000469860010	4-9/16" x 6/8 TEXTURED REINFORCED COMPOSITE MULL	80.344 [2040.73]
747544000469870010	4-9/16" x 8/0 TEXTURED REINFORCED COMPOSITE MULL	96.344 [2447.13]

**AMERICAN TEST LAB NORTH**  
 DATE 12/12/23  
 REPORT NO. ATLNC 0615.01-23

*Keith Owen*  
 ATL INSPECTOR

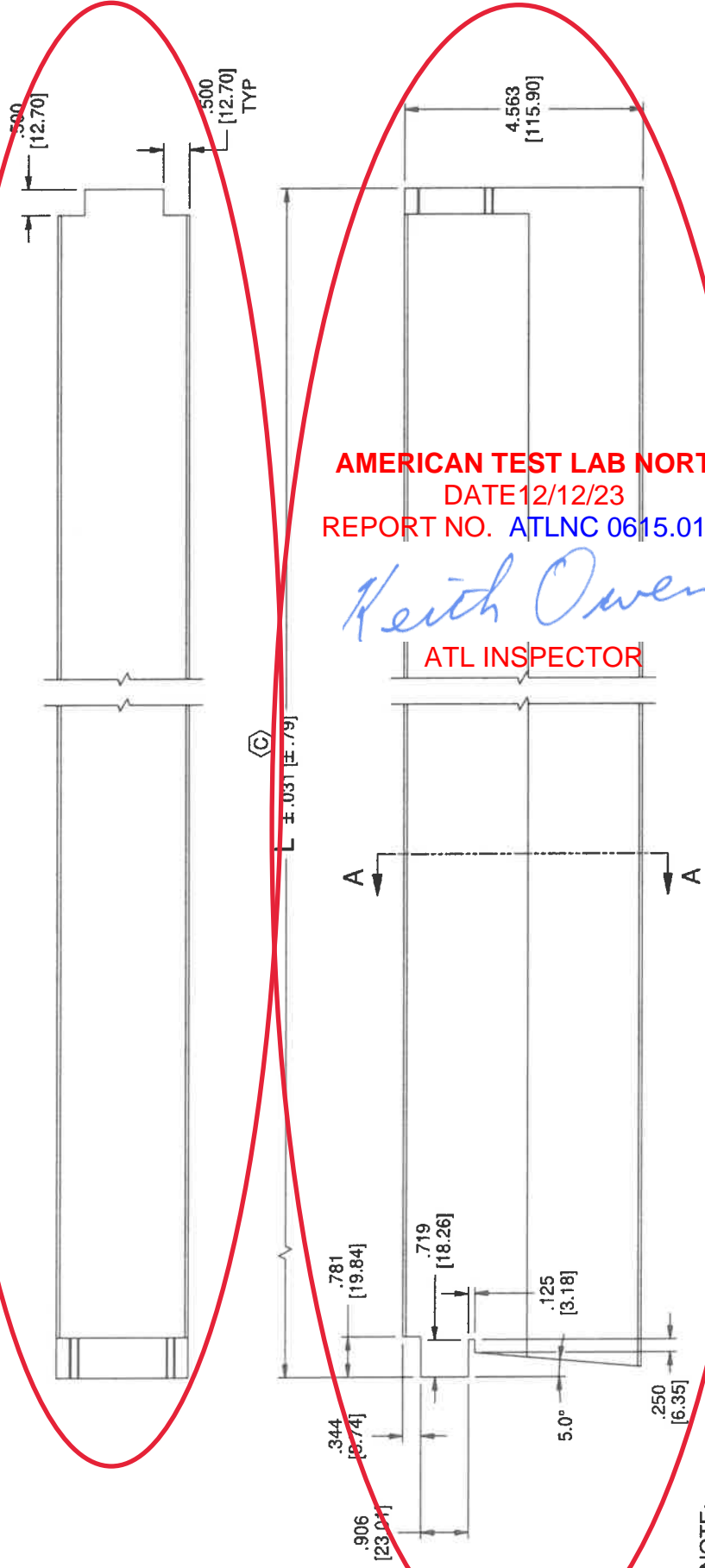
	TITLE INSWING BLANK MULLION - 2 1/2" THICK ENTRY		ORIGINAL PCR REVISION 9405	F
	TOLERANCES UNLESS OTHERWISE NOTED ARE: FRACTION ± 1/32" DECIMAL ± .031" ANGLE ± 1°		SCALE NTS	SHEET 2 OF 2
	DRAWING DESIGN AND OTHER DISCLOSURES ARE THE PROPERTY OF MASONITE DOOR CORPORATION. UNAUTHORIZED USE, MANUFACTURE OR REPRODUCTION (IN WHOLE OR IN PART) IS PROHIBITED.		SHEET SIZE B	DATE 5/13/2016
	DRAWING		C2030321	

CONFIDENTIAL PROPERTY OF MASONITE PRINTED DRAWING MAY NOT BE MOST RECENT VERSION

Released

REVISION HISTORY

REV	DESCRIPTION	PCR	DRAWN BY	DATE	APPROVED
A	RELEASED	1239	DB	10/04/2022	SM



**AMERICAN TEST LAB NORTH**  
 DATE 12/12/23  
 REPORT NO. ATLNC 0615.01-23

*Keith Owen*  
 ATL INSPECTOR

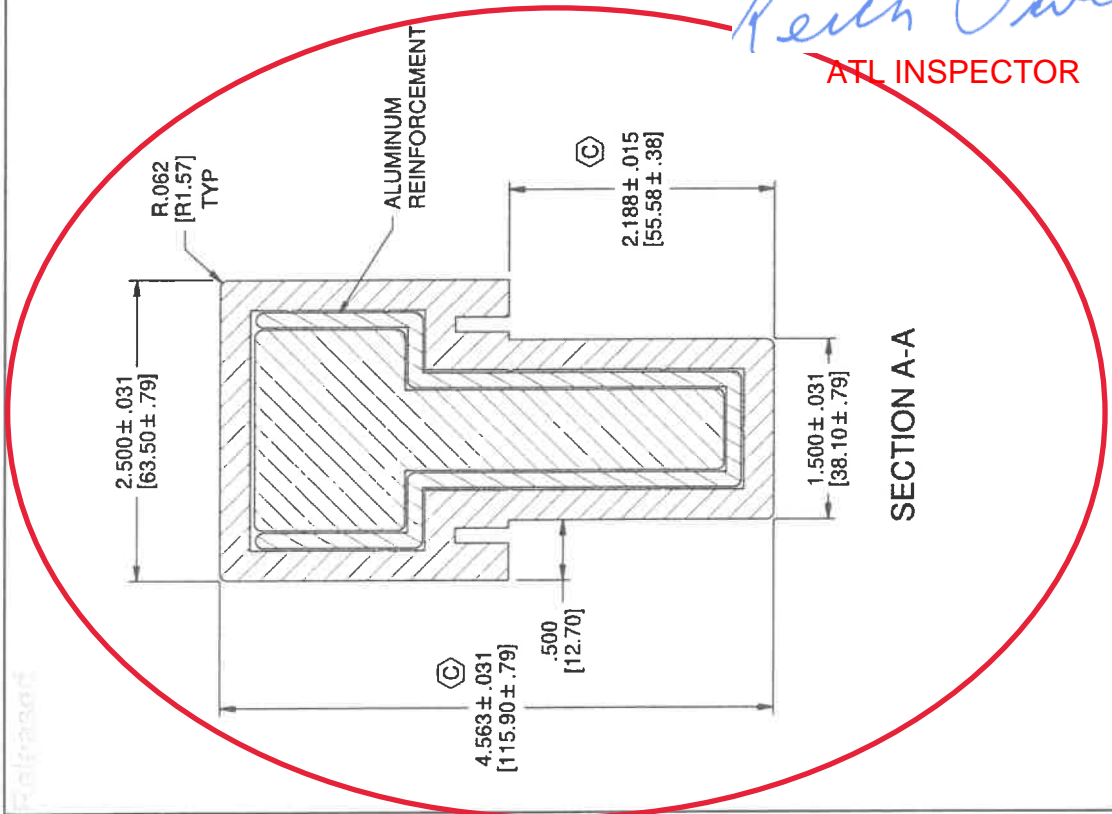
- NOTE:**
1. SYMBOL  $\text{\textcircled{C}}$  INDICATES CRITICAL DIMENSION
  2. DIMENSIONS IN BRACKETS [XX] INDICATE METRIC DIMENSIONS
  3. BREAK ALL SHARP EDGES .016 UNLESS OTHERWISE SPECIFIED
  4. REFER TO EMS#07567 FOR COMPLETE SPECIFICATIONS AND DIMENSIONAL TOLERANCING
  5. REFER TO EMS#072401 FOR WHITE COLOR SPECIFICATION
  6. MATERIAL: RIGID POLY-FIBER FORMULATION WITH CLOSED CELLULAR STRUCTURE (WITH ALUMINUM REINFORCEMENT AS SHOWN)
  7. TEXTURE: MULL POSTS TO BE OAK GRAIN TAN COLOR

TITLE		ORIGINAL #/REVISION	
OUTSWING BLANK MULLION FOR Z-SERIES - 2 1/2" THICK ENTRY		1239	A
TOLERANCES UNLESS OTHERWISE NOTED ARE:		SCALE	SHEET
FRACTION ± 1/32" DECIMAL ± .031" ANGLE ± 1°		NTS	1 OF 2
DRAWING DESIGN AND OTHER DISCLOSURES ARE THE PROPERTY OF MASONITE DOOR CORPORATION. UNAUTHORIZED USE, MANUFACTURE OR REPRODUCTION (IN WHOLE OR IN PART) IS PROHIBITED.		SHEET SIZE	DATE
<b>MASONITE</b>		B	9/30/2022
		DRAWING	C2031448

CONFIDENTIAL PROPERTY OF MASONITE PRINTED DRAWING MAY NOT BE MOST RECENT VERSION



Refract



OUTSWING MULLION FOR Z-SERIES SILL		
PART NUMBER	DESCRIPTION	L
74744400046986221211	4-9/16" x 6/8 SMOOTH PRIMED WHITE REINFORCED COMPOSITE MULL OUT-SWING Z	79.612 [2022.14]
74744400046987221211	4-9/16" x 8/0 SMOOTH PRIMED WHITE REINFORCED COMPOSITE MULL OUT-SWING Z	95.612 [2428.54]
74754400046986221211	4-9/16" x 6/8 TEXTURED REINFORCED COMPOSITE MULL OUT-SWING Z	79.612 [2022.14]
74754400046987221211	4-9/16" x 8/0 TEXTURED REINFORCED COMPOSITE MULL OUT-SWING Z	95.612 [2428.54]

**AMERICAN TEST LAB NORTH**  
 DATE 12/12/23  
 REPORT NO. ATLNC 0615.01-23

*Keith Owen*  
 ATL INSPECTOR

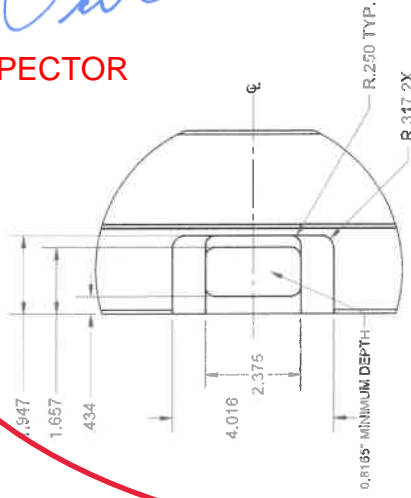
<b>MASONITE</b> <small>TOLERANCES UNLESS OTHERWISE NOTED ARE:        FRACTION ± 1/32"        DECIMAL ± .031"        ANGLE ± 1°</small> <small>DRAWING DESIGN AND OTHER DISCLOSURES ARE THE PROPERTY OF MASONITE DOOR CORPORATION. UNAUTHORIZED USE, MANUFACTURE OR REPRODUCTION (IN WHOLE OR IN PART) IS PROHIBITED.</small>	ORIGINAL P/R REVISION 1239 <b>A</b>	
	SCALE NTS	DRAWN BY DB
	SHEET SIZE B	DATE 9/30/2022
DRAWING <b>C2031448</b>		

CONFIDENTIAL PROPERTY OF MASONITE PRINTED DRAWING MAY NOT BE MOST RECENT VERSION

AMERICAN TEST LAB NORTH  
 DATE 12/12/23  
 REPORT NO. ATLNC 0615.01-23

*Keith Owen*

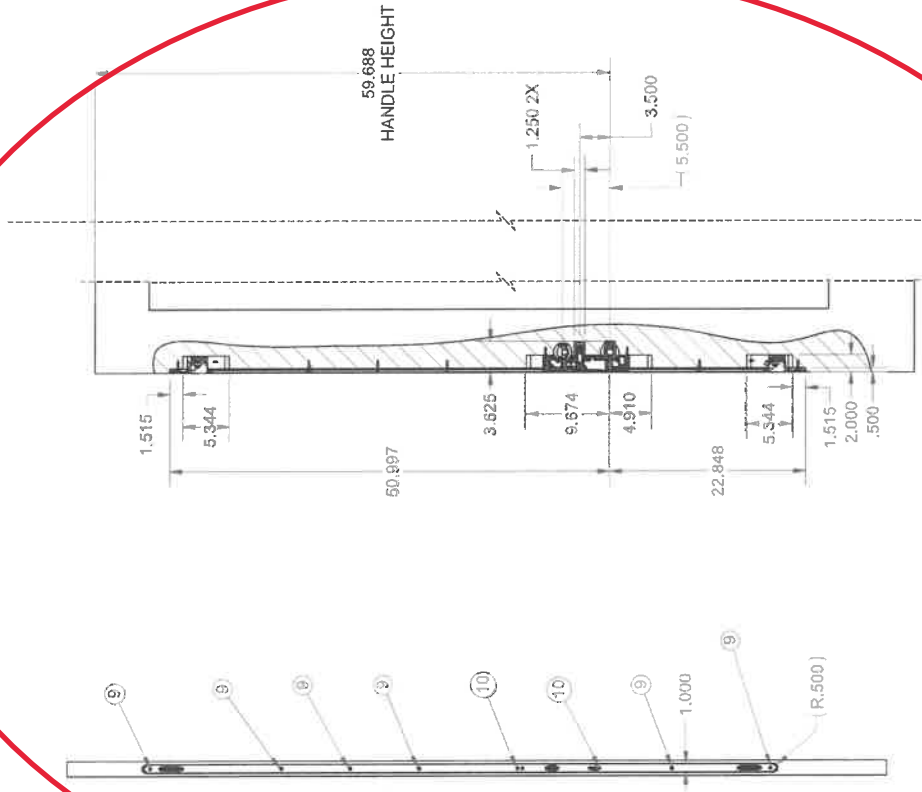
ATL INSPECTOR



DETAIL H  
 TYP  
 SCALE 1 : 3



SECTION V-V  
 SCALE 1 : 3



INSPECTION DIMENSIONS  
 ARE CIRCLED

The permission contained in the agreement of the undersigned  
 professional engineer, architect, or contractor, shall not be construed as  
 a warranty, express or implied, of the accuracy or completeness of the  
 information furnished by the client, or as a representation or warranty  
 of the accuracy or completeness of the information furnished by the  
 professional engineer, architect, or contractor, or as a representation  
 or warranty of the accuracy or completeness of the information  
 furnished by the client, or as a representation or warranty of the  
 accuracy or completeness of the information furnished by the  
 professional engineer, architect, or contractor.

MODELED BY  
 CHECKED BY  
 DATE  
 DATE  
 DRAW PART NUMBER

TITLE

80 MASONITE FLGLASS INSERT IS/OS SINGLE UNIT

DRAWING NUMBER

119XX.01-109-12-63.64

REV

X.001

SCALE

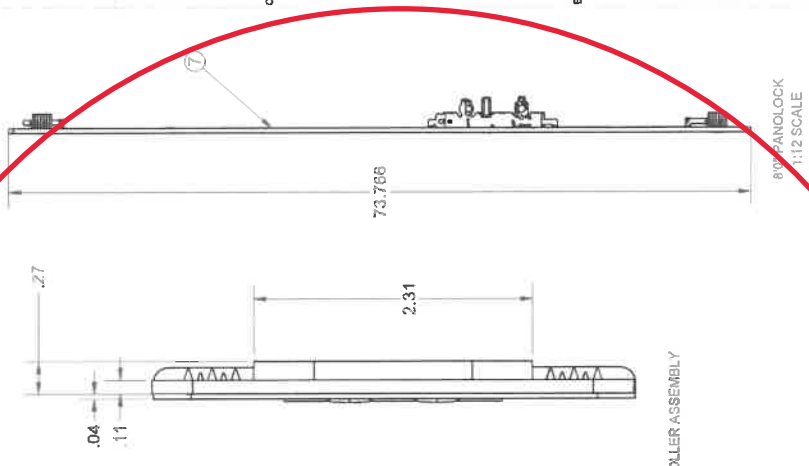
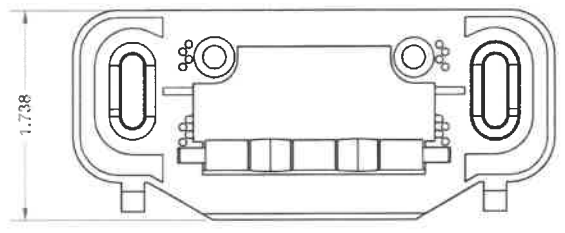
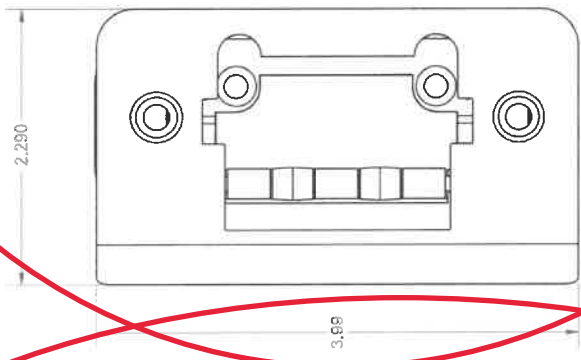
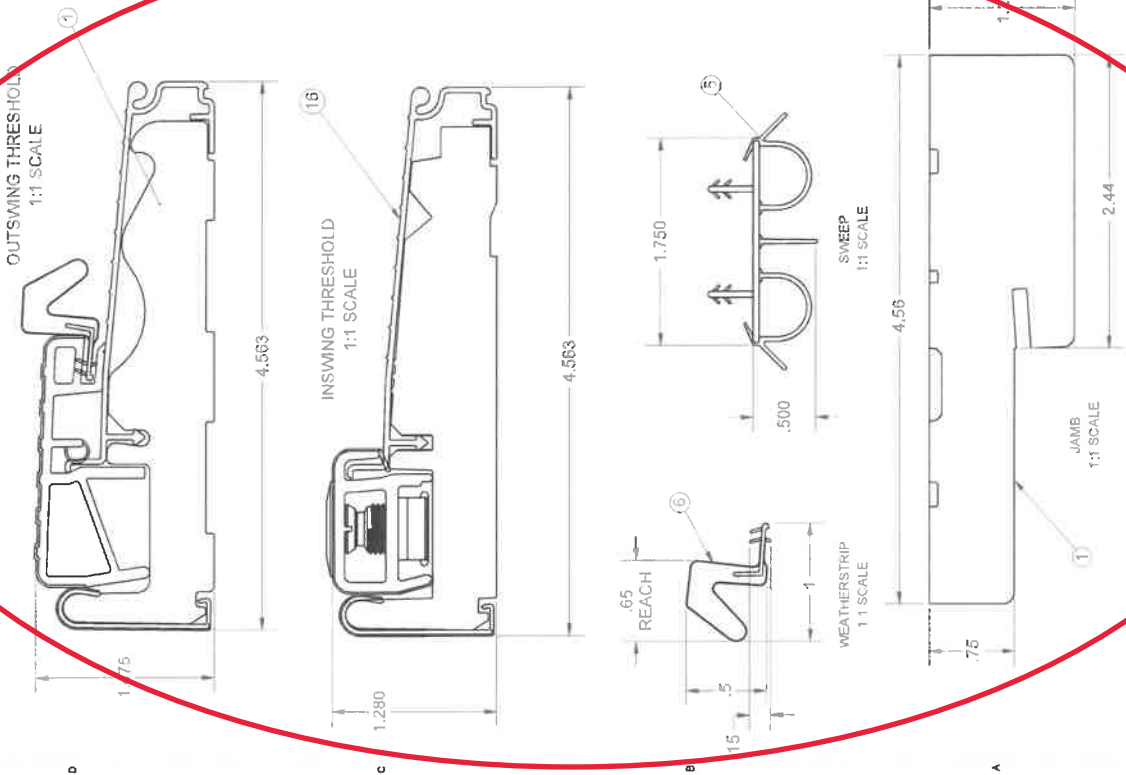
1:14

SIZE

B

SHEET 7 OF 8





**ENDURAM**  
 100 W. MARKET ST. WILMINGTON, NC 28403  
 PHONE (704) 833-7172 FAX (704) 834-4778  
 WWW.ENDURAMPRODUCTS.COM

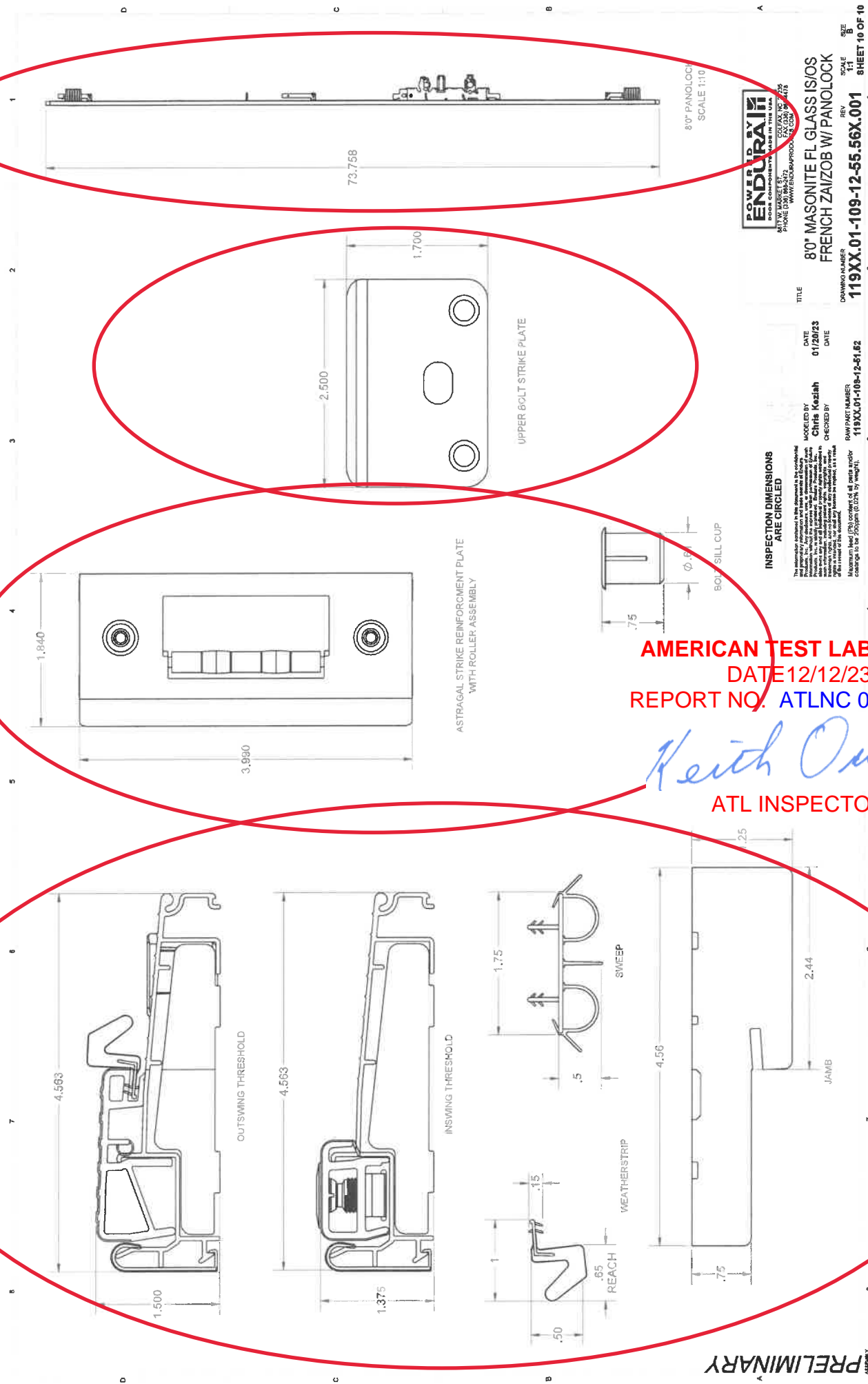
DATE DATE  
 MODELLED BY CHECKED BY  
 DRAWING NUMBER 119XX.01-109-12-53.64  
 REV X.001  
 SCALE 1:1  
 SHEET 8 OF 8

**AMERICAN TEST LAB NORTH**  
 DATE 12/12/23  
 REPORT NO. ATLNC 0615.01-23

*Keith Owen*  
 ATL INSPECTOR

ASSEMBLY  
 DATE 06/01/23





80" PANOLOCK  
SCALE 1:10

80" MASONITE FL GLASS ISIOS  
FRENCH ZAIZOB W/ PANOLOCK  
SCALE 1:1  
REV 1  
DRAWING NUMBER 119XX.01-109-12-55.56X.001  
SIZE B  
SHEET 10 OF 10

NO.	DESCRIPTION	DATE	BY	CHECKED BY
1	ISSUED FOR CONSTRUCTION	01/20/23	CITRIS KEZATH	
2	REVISED			
3	REVISED			
4	REVISED			

INSPECTION DIMENSIONS ARE CIRCLED

THE PROPRIETOR'S RESPONSIBILITY IS TO OBTAIN ALL NECESSARY PERMITS AND APPROVALS FROM THE LOCAL, STATE, AND FEDERAL AUTHORITIES. THE PROPRIETOR'S RESPONSIBILITY IS TO OBTAIN ALL NECESSARY PERMITS AND APPROVALS FROM THE LOCAL, STATE, AND FEDERAL AUTHORITIES. THE PROPRIETOR'S RESPONSIBILITY IS TO OBTAIN ALL NECESSARY PERMITS AND APPROVALS FROM THE LOCAL, STATE, AND FEDERAL AUTHORITIES.

**AMERICAN TEST LAB NORTH**  
DATE 12/12/23  
REPORT NO. ATLNC 0615.01-23

*Keith Owen*  
**ATL INSPECTOR**

**PRELIMINARY**



*Keith Owen*

ATL INSPECTOR

MASONITE SPEC 7/0 Full Lite						
Glass Width	Glass Height	Door Widths	Door Height	A	B	G
26.000	68.000	3/0	7/0	35.750	83.000	4.673
					66.863	10.220
					24.863	4.673


MASONITE SPEC 7/6 Full Lite						
Glass Width	Glass Height	Door Widths	Door Height	A	B	G
26.000	74.000	3/0	7/6	35.750	89.000	4.673
					72.863	10.220
					24.863	4.673

PREM DOOR SPEC 7/0 Full Lite						
Glass Width	Glass Height	Door Widths	Door Height	A	B	G
26.000	68.000	3/0	7/0	35.750	83.250	4.673
					66.863	10.470
					24.863	4.673

PREM DOOR SPEC 7/6 Full Lite						
Glass Width	Glass Height	Door Widths	Door Height	A	B	G
26.000	74.000	3/0	7/6	35.750	89.250	4.673
					72.863	10.470
					24.863	4.673

TABLE 3: PREM DOOR SPEC 6/8 Full Lite						
Glass Width	Glass Height	Door Widths	Door Height	A	B	G
26.000	64.000	3/0	6/8	35.750	79.250	4.673
22.000	63.906	2/10	6/8	33.750	79.250	5.673
22.000	63.906	2/8	6/8	31.750	79.250	4.673
20.000	63.906	2/6	6/8	29.750	79.250	4.673
14.000	64.000	2/0	6/8	33.750	79.250	4.673
					62.863	10.470
					12.863	4.673

TABLE 4: PREM DOOR SPEC 8/0 Full Lite						
Glass Width	Glass Height	Door Widths	Door Height	A	B	G
26.000	80.000	3/0	8/0	35.750	95.250	4.673
22.000	80.000	2/10	8/0	33.750	95.250	5.673
22.000	80.000	2/8	8/0	31.750	95.250	4.673
20.000	80.000	2/6	8/0	29.750	95.250	4.673
14.000	80.000	2/0	8/0	23.750	95.250	4.673
					78.863	10.470
					12.863	4.673

ORIGINAL PER REVISION SCALE SHEET NTS SHEET SIZE DATE DRAWING	H 2 OF 11 B 6/27/2016	FRACTION ± 1/32" DECIMAL ± .031" ANGLE ± 1°	TOLERANCES UNLESS OTHERWISE NOTED ARE:	DRAWING DESIGN AND OTHER DISCLOSURES ARE THE PROPERTY OF MASONITE DOOR CORPORATION. UNAUTHORIZED USE, MANUFACTURE OR REPRODUCTION (IN WHOLE OR IN PART) IS PROHIBITED.
				

CONFIDENTIAL PROPERTY OF MASONITE PRINTED DRAWING MAY NOT BE MOST RECENT VERSION

**TABLE 5: PATIO 6/8 Full Lite**

Door Widths	Door Height	Glass Width	Glass Height	A	B	C	D	E (REF)	F (REF)	G
3/0	6/8	26.000	64.000	34.406	76.875	62.863	24.863	8.095	3.366	4.635
2/10	6/8	22.000	63.906	32.406	76.875	62.769	20.863	8.189	5.001	5.001
2/8	6/8	22.000	63.906	30.406	76.875	62.769	20.863	8.189	3.366	4.635
2/6	6/8	20.000	63.906	28.406	76.875	62.769	18.863	8.189	3.366	4.635
2/0	6/8	14.000	64.000	22.406	76.875	62.863	12.863	8.095	3.366	4.635

**TABLE 6: PATIO 8/0 Full Lite**

Door Widths	Door Height	Glass Width	Glass Height	A	B	C	D	E (REF)	F (REF)	G
3/0	8/0	26.000	80.000	34.406	92.875	78.863	24.863	8.095	3.366	4.635
2/10	8/0	22.000	80.000	32.406	92.875	78.863	20.863	8.095	5.001	5.001
2/8	8/0	22.000	80.000	30.406	92.875	78.863	20.863	8.095	3.366	4.635
2/6	8/0	20.000	80.000	28.406	92.875	78.863	18.863	8.095	3.366	4.635
2/0	8/0	14.000	80.000	22.406	92.875	78.863	12.863	8.095	3.366	4.635

**AMERICAN TEST LAB NORTH**  
**DATE 12/12/23**  
**REPORT NO. ATLNC 0615.01-23**

*Keith Owen*  
**ATL INSPECTOR**

**TITLE: VISTA GRANDE SLABS FULL LITE FINAL ASSEMBLY DETAILS**

**MASONITE**

**TOLERANCES UNLESS OTHERWISE NOTED ARE:**  
 FRACTION ± 1/32"  
 DECIMAL ± .031"  
 ANGLE ± 1°

**DRAWING DESIGN AND OTHER DISCLOSURES ARE THE PROPERTY OF MASONITE DOOR CORPORATION. UNAUTHORIZED USE, MANUFACTURE OR REPRODUCTION (IN WHOLE OR IN PART) IS PROHIBITED.**

**ORIGINAL PCB REVISION: H**

**SCALE: NTS**

**SHEET: 3 OF 11**

**DRAWN BY: jflores**

**SHEET SIZE: B**

**DATE: 6/27/2016**

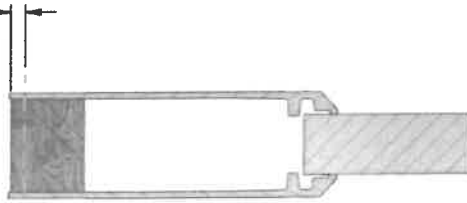
**DRAWING: A1020163**

**CONFIDENTIAL PROPERTY OF MASONITE PRINTED DRAWING MAY NOT BE MOST RECENT VERSION**



TRIM SPECIFICATIONS

.250 ± .030  
[6.35 ± .762]



SECTION AA-AA

.250 ± .030  
[6.35 ± .76]

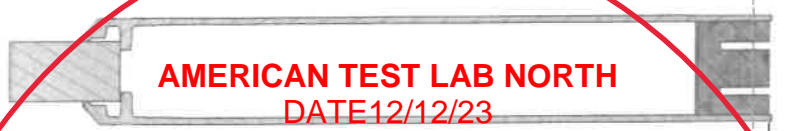


SECTION BB-BB

AMERICAN TEST LAB NORTH  
DATE 12/12/23  
REPORT NO. ATLNC 0615.01-23

*Keith Owen*  
ATL INSPECTOR

A ± .030 SEE  
NOTE  
[± .76] SECTION



SECTION CC-CC

NOTE:

1. FOR MASONITE SPEC: A = .313
2. FOR PREM SPEC: A = .666
3. TRIM DIMENSIONS TAKEN FROM THE EDGE OF STILE OR RAIL, NOT THE EDGE OF THE FACING

TITLE: VISTA GRANDE SLABS FULL LITE  
FINAL ASSEMBLY DETAILS



ORIGINAL P.C.#	REVISION	H
SCALE	DRAWN BY	NTS
SHEET	DATE	4 OF 11
SHEET SIZE	DATE	B
DRAWING	DATE	6/27/2016
DRAWING		A1020163

TOLERANCES UNLESS OTHERWISE NOTED ARE:  
FRACTION ± 1/32"  
DECIMAL ± .031"  
ANGLE ± 1°

DRAWING DESIGN AND OTHER DISCLOSURES ARE THE PROPERTY OF MASONITE DOOR CORPORATION. UNAUTHORIZED USE, MANUFACTURE OR REPRODUCTION (IN WHOLE OR IN PART) IS PROHIBITED.

**AMERICAN TEST LAB NORTH**  
 DATE 12/12/23  
 REPORT NO. ATLNC 0615.01-23

*Keith Owen*

**ATL INSPECTOR**

**TABLE 7: Masonite Spec Non-Textured White New Construction 6/8 - LVL Stile**

SIZE	GLASS	PART NO.	DESCRIPTION
2/0x6/8	14x64	30275932	23-3/4" x 79" S&R Non-Text FIG1z FBGL Dr FG2015 14 x 64 Insert 4-3/8" Top White
2/6x6/8	20x64	30275832	29-3/4" x 79" S&R Non-Text FIG1z FBGL Dr FG2015 20 x 64 Insert 4-3/8" Top White
2/8x6/8	22x64	30275632	31-3/4" x 79" S&R Non-Text FIG1z FBGL Dr FG2015 22 x 64 Insert 4-3/8" Top White
2/10x6/8	22x64	30275532	33-3/4" x 79" S&R Non-Text FIG1z FBGL Dr FG2015 22 x 64 Insert 4-3/8" Top White
3/0x6/8	26x64	30275332	35-3/4" x 79" S&R Non-Text FIG1z FBGL Dr FG2015 26 x 64 Insert 4-3/8" Top White

**TABLE 8: Masonite Spec Non-Textured White New Construction 8/0 - LVL Stile**


SIZE	GLASS	PART NO.	DESCRIPTION
2/0x8/0	14x80	30276632	23-3/4" x 95" S&R Non-Text FIG1z FBGL Dr FG2015 14 x 80 Insert 4-3/8" Top White
2/6x8/0	20x80	30276532	29-3/4" x 95" S&R Non-Text FIG1z FBGL Dr FG2015 20 x 80 Insert 4-3/8" Top White
2/8x8/0	22x80	30276332	31-3/4" x 95" S&R Non-Text FIG1z FBGL Dr FG2015 22 x 80 Insert 4-3/8" Top White
2/10x8/0	22x80	30276232	33-3/4" x 95" S&R Non-Text FIG1z FBGL Dr FG2015 22 x 80 Insert 4-3/8" Top White
3/0x8/0	26x80	30276032	35-3/4" x 95" S&R Non-Text FIG1z FBGL Dr FG2015 26 x 80 Insert 4-3/8" Top White

**TABLE 9: Masonite Spec Fir Textured Beige New Construction 6/8 - Pine Edge**

SIZE	GLASS	PART NO.	DESCRIPTION
2/6x6/8	20x64	30277232	29-3/4" x 79" S&R Text FIG1z FBGL Dr FG2015 Fir 20 x 64 Insert 4-3/8" Top Beige
2/8x6/8	22x64	30277032	31-3/4" x 79" S&R Text FIG1z FBGL Dr FG2015 Fir 22 x 64 Insert 4-3/8" Top Beige
2/10x6/8	22x64	30276932	33-3/4" x 79" S&R Text FIG1z FBGL Dr FG2015 Fir 22 x 64 Insert 4-3/8" Top Beige
3/0x6/8	26x64	30276732	35-3/4" x 79" S&R Text FIG1z FBGL Dr FG2015 Fir 26 x 64 Insert 4-3/8" Top Beige

**TABLE 10: Masonite Spec Fir Textured Beige New Construction 8/0 - Pine Edge**

SIZE	GLASS	PART NO.	DESCRIPTION
2/6x8/0	20x80	30277932	29-3/4" x 95" S&R Text FIG1z FBGL Dr FG2015 Fir 20 x 80 Insert 4-3/8" Top Beige
2/8x8/0	22x80	30277732	31-3/4" x 95" S&R Text FIG1z FBGL Dr FG2015 Fir 22 x 80 Insert 4-3/8" Top Beige
2/10x8/0	22x80	30277632	33-3/4" x 95" S&R Text FIG1z FBGL Dr FG2015 Fir 22 x 80 Insert 4-3/8" Top Beige
3/0x8/0	26x80	30277432	35-3/4" x 95" S&R Text FIG1z FBGL Dr FG2015 Fir 26 x 80 Insert 4-3/8" Top Beige

TITLE VISTA GRANDE SLABS FULL LITE FINAL ASSEMBLY DETAILS		ORIGINAL PCB REVISION H
	TOLERANCES UNLESS OTHERWISE NOTED ARE: FRACTION ± 1/32" DECIMAL ± .031" ANGLE ± 1°	SCALE NTS
	DRAWING DESIGN AND OTHER DISCLOSURES ARE THE PROPERTY OF MASONITE DOOR CORPORATION. UNAUTHORIZED USE, MANUFACTURE OR REPRODUCTION (IN WHOLE OR IN PART) IS PROHIBITED.	SHEET 5 OF 11
		DATE 6/27/2016
		DRAWING A1020163

**AMERICAN TEST LAB NORTH**  
 DATE 12/12/23  
 REPORT NO. ATLNC 0615.01-23

*Keith Owen*

**ATL INSPECTOR**

**TABLE 11: Masonite Spec Non-Textured White New Construction 6/8 - CET Edge**

SIZE	GLASS	PART NO.	DESCRIPTION
2/0x6/8	14x64	30278732	23-3/4" x 79" S&R Non-Text FIG1z FBGL Dr FG2015 14 x 64 Insert 4-3/8" Top White (CS)
2/6x6/8	20x64	30278632	29-3/4" x 79" S&R Non-Text FIG1z FBGL Dr FG2015 20 x 64 Insert 4-3/8" Top White (CS)
2/8x6/8	22x64	30278432	31-3/4" x 79" S&R Non-Text FIG1z FBGL Dr FG2015 22 x 64 Insert 4-3/8" Top White (CS)
2/10x6/8	22x64	30278332	33-3/4" x 79" S&R Non-Text FIG1z FBGL Dr FG2015 22 x 64 Insert 4-3/8" Top White (CS)
3/0x6/8	26x64	30278132	35-3/4" x 79" S&R Non-Text FIG1z FBGL Dr FG2015 26 x 64 Insert 4-3/8" Top White (CS)

**TABLE 12: Masonite Spec Non-Textured White New Construction 8/0 - CET Edge**


SIZE	GLASS	PART NO.	DESCRIPTION
2/0x8/0	14x80	30279432	23-3/4" x 95" S&R Non-Text FIG1z FBGL Dr FG2015 14 x 80 Insert 4-3/8" Top White (CS)
2/6x8/0	20x80	30279332	29-3/4" x 95" S&R Non-Text FIG1z FBGL Dr FG2015 20 x 80 Insert 4-3/8" Top White (CS)
2/8x8/0	22x80	30279132	31-3/4" x 95" S&R Non-Text FIG1z FBGL Dr FG2015 22 x 80 Insert 4-3/8" Top White (CS)
2/10x8/0	22x80	30279032	33-3/4" x 95" S&R Non-Text FIG1z FBGL Dr FG2015 22 x 80 Insert 4-3/8" Top White (CS)
3/0x8/0	26x80	30278832	35-3/4" x 95" S&R Non-Text FIG1z FBGL Dr FG2015 26 x 80 Insert 4-3/8" Top White (CS)

**TABLE 13: Masonite Spec Fir Textured Beige New Construction 6/8 - CET Edge**

SIZE	GLASS	PART NO.	DESCRIPTION
2/6x6/8	20x64	30280032	29-3/4" x 79" S&R Text FIG1z FBGL Dr FG2015 Fir 20 x 64 Insert 4-3/8" Top Beige (CS)
2/8x6/8	22x64	30279832	31-3/4" x 79" S&R Text FIG1z FBGL Dr FG2015 Fir 22 x 64 Insert 4-3/8" Top Beige (CS)
2/10x6/8	22x64	30279732	33-3/4" x 79" S&R Text FIG1z FBGL Dr FG2015 Fir 22 x 64 Insert 4-3/8" Top Beige (CS)
3/0x6/8	26x64	30279532	35-3/4" x 79" S&R Text FIG1z FBGL Dr FG2015 Fir 26 x 64 Insert 4-3/8" Top Beige (CS)

**TABLE 14: Masonite Spec Fir Textured Beige New Construction 8/0 - CET Edge**

SIZE	GLASS	PART NO.	DESCRIPTION
2/6x8/0	20x80	30280732	29-3/4" x 95" S&R Text FIG1z FBGL Dr FG2015 Fir 20 x 80 Insert 4-3/8" Top Beige (CS)
2/8x8/0	22x80	30280532	31-3/4" x 95" S&R Text FIG1z FBGL Dr FG2015 Fir 22 x 80 Insert 4-3/8" Top Beige (CS)
2/10x8/0	22x80	30280432	33-3/4" x 95" S&R Text FIG1z FBGL Dr FG2015 Fir 22 x 80 Insert 4-3/8" Top Beige (CS)
3/0x8/0	26x80	30280232	35-3/4" x 95" S&R Text FIG1z FBGL Dr FG2015 Fir 26 x 80 Insert 4-3/8" Top Beige (CS)

TITLE: VISTA GRANDE SLABS FULL LITE FINAL ASSEMBLY DETAILS		ORIGINAL PC# REVISION <b>H</b>
TOLERANCES UNLESS OTHERWISE NOTED ARE: DRAWING DESIGN AND OTHER DISCLOSURES ARE THE PROPERTY OF MASONITE DOOR CORPORATION. UNAUTHORIZED USE, MANUFACTURE OR REPRODUCTION (IN WHOLE OR IN PART) IS PROHIBITED.		SCALE: NTS DRAWN BY: jlorneo SHEET: 6 of 11 DATE: 6/27/2016
		DRAWING: A1020163

**AMERICAN TEST LAB NORTH**  
 DATE 12/12/23  
 REPORT NO. ATLNC 0615.01-23

*Keith Owen*

**ATL INSPECTOR**

**TABLE 15: Premdor Spec Non-Textured White New Construction 6/8 - Pine Edge**

SIZE	GLASS	PART NO.	DESCRIPTION
2/0x6/8	14x64	30281532	23-3/4" x 79-1/4" S&R Non-Text FigLz FBGL Dr FG2015 14 x 64 Insert 4-3/8" Top White
2/6x6/8	20x64	30281492	29-3/4" x 79-1/4" S&R Non-Text FigLz FBGL Dr FG2015 20 x 64 Insert 4-3/8" Top White
2/8x6/8	22x64	30281232	31-3/4" x 79-1/4" S&R Non-Text FigLz FBGL Dr FG2015 22 x 64 Insert 4-3/8" Top White
2/10x6/8	22x64	30281132	33-3/4" x 79-1/4" S&R Non-Text FigLz FBGL Dr FG2015 22 x 64 Insert 4-3/8" Top White
3/0x6/8	26x64	30280932	35-3/4" x 79-1/4" S&R Non-Text FigLz FBGL Dr FG2015 26 x 64 Insert 4-3/8" Top White

**TABLE 16: Premdor Spec Non-Textured White New Construction 8/0 - Pine Edge**

SIZE	GLASS	PART NO.	DESCRIPTION
2/0x8/0	14x80	30282232	23-3/4" x 95-1/4" S&R Non-Text FigLz FBGL Dr FG2015 14 x 80 Insert 4-3/8" Top White
2/6x8/0	20x80	30282132	29-3/4" x 95-1/4" S&R Non-Text FigLz FBGL Dr FG2015 20 x 80 Insert 4-3/8" Top White
2/8x8/0	22x80	30281932	31-3/4" x 95-1/4" S&R Non-Text FigLz FBGL Dr FG2015 22 x 80 Insert 4-3/8" Top White
2/10x8/0	22x80	30281832	33-3/4" x 95-1/4" S&R Non-Text FigLz FBGL Dr FG2015 22 x 80 Insert 4-3/8" Top White
3/0x8/0	26x80	30281632	35-3/4" x 95-1/4" S&R Non-Text FigLz FBGL Dr FG2015 26 x 80 Insert 4-3/8" Top White

**TABLE 17: Premdor Spec Fir Textured Beige New Construction 6/8 - Pine Edge**

SIZE	GLASS	PART NO.	DESCRIPTION
2/6x6/8	20x64	30282832	29-3/4" x 79-1/4" S&R Text FigLz FBGL Dr FG2015 Fir 20 x 64 Insert 4-3/8" Top Beige
2/8x6/8	22x64	30282632	31-3/4" x 79-1/4" S&R Text FigLz FBGL Dr FG2015 Fir 22 x 64 Insert 4-3/8" Top Beige
2/10x6/8	22x64	30282532	33-3/4" x 79-1/4" S&R Text FigLz FBGL Dr FG2015 Fir 22 x 64 Insert 4-3/8" Top Beige
3/0x6/8	26x64	30282332	35-3/4" x 79-1/4" S&R Text FigLz FBGL Dr FG2015 Fir 26 x 64 Insert 4-3/8" Top Beige

**TABLE 18: Premdor Spec Fir Textured Beige New Construction 8/0 - Pine Edge**

SIZE	GLASS	PART NO.	DESCRIPTION
2/6x8/0	20x80	30283532	29-3/4" x 95-1/4" S&R Text FigLz FBGL Dr FG2015 Fir 20 x 80 Insert 4-3/8" Top Beige
2/8x8/0	22x80	30283332	31-3/4" x 95-1/4" S&R Text FigLz FBGL Dr FG2015 Fir 22 x 80 Insert 4-3/8" Top Beige
2/10x8/0	22x80	30283232	33-3/4" x 95-1/4" S&R Text FigLz FBGL Dr FG2015 Fir 22 x 80 Insert 4-3/8" Top Beige
3/0x8/0	26x80	30283032	35-3/4" x 95-1/4" S&R Text FigLz FBGL Dr FG2015 Fir 26 x 80 Insert 4-3/8" Top Beige

<b>FINAL ASSEMBLY DETAILS</b>		<b>MASONITE</b>	DRAWING DESIGN AND OTHER DISCLOSURES ARE THE PROPERTY OF MASONITE DOOR CORPORATION. UNAUTHORIZED USE, MANUFACTURE OR REPRODUCTION (IN WHOLE OR IN PART) IS PROHIBITED.
<b>VISTA GRANDE SLABS FULL LITE</b>		<b>MASONITE</b>	
ORIGINAL REVISION <b>H</b>	SCALE <b>NTS</b>	DRAWN BY <b>jlomeo</b>	DATE <b>6/27/2016</b>
SHEET <b>7 OF 11</b>	SHEET SIZE <b>B</b>	DRAWING <b>A1020163</b>	
TOLERANCES UNLESS OTHERWISE NOTED ARE: FRACTION ± 1/32" DECIMAL ± .031" ANGLE ± 1°			

**TABLE 19: Premdor Spec Non-Textured White New Construction 6/8 - CET Edge**

SIZE	GLASS	PART NO.	DESCRIPTION
2/0x6/8	14x64	30284332	29-3/4" x 79-1/4" S&R Non-Text FIGLz FBGL Dr FG2015 14 x 64 Insert 4-3/8" Top White (CS)
2/6x6/8	20x64	30284232	29-3/4" x 79-1/4" S&R Non-Text FIGLz FBGL Dr FG2015 20 x 64 Insert 4-3/8" Top White (CS)
2/8x6/8	22x64	30284032	31-3/4" x 79-1/4" S&R Non-Text FIGLz FBGL Dr FG2015 22 x 64 Insert 4-3/8" Top White (CS)
2/10x6/8	22x64	30283932	33-3/4" x 79-1/4" S&R Non-Text FIGLz FBGL Dr FG2015 22 x 80 Insert 4-3/8" Top White (CS)
3/0x6/8	26x64	30283732	35-3/4" x 79-1/4" S&R Non-Text FIGLz FBGL Dr FG2015 26 x 64 Insert 4-3/8" Top White (CS)

**TABLE 20: Premdor Spec Non-Textured White New Construction 8/0 - CET Edge**

SIZE	GLASS	PART NO.	DESCRIPTION
2/0x8/0	14x80	30285032	29-3/4" x 95-1/4" S&R Non-Text FIGLz FBGL Dr FG2015 14 x 80 Insert 4-3/8" Top White (CS)
2/6x8/0	20x80	30284932	29-3/4" x 95-1/4" S&R Non-Text FIGLz FBGL Dr FG2015 20 x 80 Insert 4-3/8" Top White (CS)
2/8x8/0	22x80	30284732	31-3/4" x 95-1/4" S&R Non-Text FIGLz FBGL Dr FG2015 22 x 80 Insert 4-3/8" Top White (CS)
2/10x8/0	22x80	30284632	33-3/4" x 95-1/4" S&R Non-Text FIGLz FBGL Dr FG2015 22 x 80 Insert 4-3/8" Top White (CS)
3/0x8/0	26x80	30284432	35-3/4" x 95-1/4" S&R Non-Text FIGLz FBGL Dr FG2015 26 x 80 Insert 4-3/8" Top White (CS)

**TABLE 21: Premdor Spec Fir Textured Beige New Construction 6/8 - CET Edge**


SIZE	GLASS	PART NO.	DESCRIPTION
2/6x6/8	20x64	30285632	29-3/4" x 79-1/4" S&R Text FIGLz FBGL Dr FG2015 Fir 20 x 64 Insert 4-3/8" Top Beige (CS)
2/8x6/8	22x64	30285432	31-3/4" x 79-1/4" S&R Text FIGLz FBGL Dr FG2015 Fir 22 x 64 Insert 4-3/8" Top Beige (CS)
2/10x6/8	22x64	30285332	33-3/4" x 79-1/4" S&R Text FIGLz FBGL Dr FG2015 Fir 22 x 64 Insert 4-3/8" Top Beige (CS)
3/0x6/8	26x64	30285132	35-3/4" x 79-1/4" S&R Text FIGLz FBGL Dr FG2015 Fir 26 x 64 Insert 4-3/8" Top Beige (CS)

**TABLE 22: Premdor Spec Fir Textured Beige New Construction 8/0 - CET Edge**

SIZE	GLASS	PART NO.	DESCRIPTION
2/6x8/0	20x80	30286332	29-3/4" x 95-1/4" S&R Text FIGLz FBGL Dr FG2015 Fir 20 x 80 Insert 4-3/8" Top Beige (CS)
2/8x8/0	22x80	30286132	31-3/4" x 95-1/4" S&R Text FIGLz FBGL Dr FG2015 Fir 22 x 80 Insert 4-3/8" Top Beige (CS)
2/10x8/0	22x80	30286032	33-3/4" x 95-1/4" S&R Text FIGLz FBGL Dr FG2015 Fir 22 x 80 Insert 4-3/8" Top Beige (CS)
3/0x8/0	26x80	30285832	35-3/4" x 95-1/4" S&R Text FIGLz FBGL Dr FG2015 Fir 26 x 80 Insert 4-3/8" Top Beige (CS)

AMERICAN TEST LAB NORTH  
 DATE 12/12/23  
 REPORT NO. ATLNC 0615.01-23

*Keith Owen*  
 ATL INSPECTOR

VISTA GRANDE SLABS FULL LITE FINAL ASSEMBLY DETAILS		ORIGINAL PCR REVISION <b>H</b>
TOLERANCES UNLESS OTHERWISE NOTED ARE: FRACTION ± 1/32" DECIMAL ± .031" ANGLE ± 1°		SCALE NTS
		SHEET 8 OF 11
DRAWING DESIGN AND OTHER DISCLOSURES ARE THE PROPERTY OF MASONITE DOOR CORPORATION. UNAUTHORIZED USE, MANUFACTURE OR REPRODUCTION (IN WHOLE OR IN PART) IS PROHIBITED.		DATE 6/27/2016
		DRAWING A1020163

**TABLE 23: Non-Textured White Patio Spec 6/8 - Pine Edge**

SIZE	GLASS	PART NO.	DESCRIPTION
2/0x6/8	14x64	30287332	22-13/32" x 76-7/8" S&R Non-Text Figlz FBGL Dr FG2015 14 x 64 Insert 4-5/8" Top Offset White
2/6x6/8	20x64	30287432	28-13/32" x 76-7/8" S&R Non-Text Figlz FBGL Dr FG2015 20 x 64 Insert 4-5/8" Top Offset White
2/8x6/8	22x64	30287532	30-13/32" x 76-7/8" S&R Non-Text Figlz FBGL Dr FG2015 22 x 64 Insert 4-5/8" Top Offset White
2/10x6/8	22x64	30304332	32-13/32" x 76-7/8" S&R Non-Text Figlz FBGL Dr FG2015 22 x 64 Insert 4-5/8" Top White
3/0x6/8	26X64	30287732	34-13/32" x 76-7/8" S&R Non-Text Figlz FBGL Dr FG2015 26 x 64 Insert 4-5/8" Top Offset White

**TABLE 24: Non-Textured White Patio Spec 8/0 - Pine Edge**

SIZE	GLASS	PART NO.	DESCRIPTION
2/0x8/0	14x80	30287832	22-13/32" x 92-7/8" S&R Non-Text Figlz FBGL Dr FG2015 14 x 80 Insert 4-5/8" Top Offset White
2/6x8/0	20x80	30287932	28-13/32" x 92-7/8" S&R Non-Text Figlz FBGL Dr FG2015 20 x 80 Insert 4-5/8" Top Offset White
2/8x8/0	22x80	30288032	30-13/32" x 92-7/8" S&R Non-Text Figlz FBGL Dr FG2015 22 x 80 Insert 4-5/8" Top Offset White
2/10x8/0	22x80	30304532	32-13/32" x 92-7/8" S&R Non-Text Figlz FBGL Dr FG2015 22 x 80 Insert 4-5/8" Top White
3/0x8/0	26X80	30288132	34-13/32" x 92-7/8" S&R Non-Text Figlz FBGL Dr FG2015 26 x 80 Insert 4-5/8" Top Offset White

**TABLE 25: Fir Textured Beige Patio Spec 6/8 - Pine Edge**

SIZE	GLASS	PART NO.	DESCRIPTION
2/6x6/8	20x64	30288332	28-13/32" x 76-7/8" S&R Text Figlz FBGL Dr FG2015 Fir 20 x 64 Insert 4-5/8" Top Offset Beige
2/8x6/8	22x64	30288432	30-13/32" x 76-7/8" S&R Text Figlz FBGL Dr FG2015 Fir 22 x 64 Insert 4-5/8" Top Offset Beige
2/10x6/8	22x64	30304832	32-13/32" x 76-7/8" S&R Text Figlz FBGL Dr FG2015 Fir 22 x 64 Insert 4-5/8" Top Beige
3/0x6/8	26X64	30288632	34-13/32" x 76-7/8" S&R Text Figlz FBGL Dr FG2015 Fir 26 x 64 Insert 4-5/8" Top Offset Beige

**TABLE 26: Fir Textured Beige Patio Spec 8/0 - Pine Edge**

SIZE	GLASS	PART NO.	DESCRIPTION
2/6x8/0	20x80	30288832	28-13/32" x 92-7/8" S&R Text Figlz FBGL Dr FG2015 Fir 20 x 80 Insert 4-5/8" Top Offset Beige
2/8x8/0	22x80	30288932	30-13/32" x 92-7/8" S&R Text Figlz FBGL Dr FG2015 Fir 22 x 80 Insert 4-5/8" Top Offset Beige
2/10x8/0	22x80	30305032	32-13/32" x 92-7/8" S&R Text Figlz FBGL Dr FG2015 Fir 22 x 80 Insert 4-5/8" Top Beige
3/0x8/0	26X80	30289032	34-13/32" x 92-7/8" S&R Text Figlz FBGL Dr FG2015 Fir 26 x 80 Insert 4-5/8" Top Offset Beige

AMERICAN TEST LAB NORTH  
 DATE 12/12/23  
 REPORT NO. ATLNC 0615.01-23

*Keith Owen*  
 ATL INSPECTOR

TITLE VISTA GRANDE SLABS FULL LITE FINAL ASSEMBLY DETAILS		DRAWING A1020163	
TOLERANCES UNLESS OTHERWISE NOTED ARE: FRACTION ± 1/32" DECIMAL ± .031" ANGLE ± 1°		SCALE NTS	ORIGINALLY H
DRAWING DESIGN AND OTHER DISCLOSURES ARE THE PROPERTY OF MASONITE DOOR CORPORATION. UNAUTHORIZED USE, MANUFACTURE OR REPRODUCTION (IN WHOLE OR IN PART) IS PROHIBITED.		SHEET 9 OF 11	DATE 6/27/2016
MASONITE		PRINT SIZE B	

CONFIDENTIAL PROPERTY OF MASONITE PRINTED DRAWING MAY NOT BE MOST RECENT VERSION

**TABLE 27: 7/0 & 7/6 MASONITE SPEC**

SIZE	GLASS	PART NO.	DESCRIPTION
3/0 X 7/0	26 X 68	30344032	35-3/4" x 83" S&R Non-Text FIGiz FBGL Dr VistaGrande 26 x 68 Insert 4-3/8" Top White
3/0 X 7/6	26 X 74	30344132	35-3/4" x 89" S&R Non-Text FIGiz FBGL Dr VistaGrande 26 x 74 Insert 4-3/8" Top White
3/0 X 7/0	26 X 68	30344032	35-3/4" x 83" S&R Non-Text FIGiz FBGL Dr VistaGrande 26 x 68 Insert 4-3/8" Top White (CS)
3/0 X 7/6	26 X 74	30344132	35-3/4" x 89" S&R Non-Text FIGiz FBGL Dr VistaGrande 26 x 74 Insert 4-3/8" Top White (CS)

**TABLE 27: 7/0 & 7/6 PREM SPEC**

SIZE	GLASS	PART NO.	DESCRIPTION
3/0 X 7/0	26 X 68	30344832	35-3/4" x 83-1/4" S&R Non-Text FIGiz FBGL Dr VistaGrande 26 x 68 Insert 4-3/8" Top White
3/0 X 7/6	26 X 74	30344932	35-3/4" x 89-1/4" S&R Non-Text FIGiz FBGL Dr VistaGrande 26 x 74 Insert 4-3/8" Top White
3/0 X 7/0	26 X 68	30345032	35-3/4" x 83-1/4" S&R Non-Text FIGiz FBGL Dr VistaGrande 26 x 68 Insert 4-3/8" Top White (CS)
3/0 X 7/6	26 X 74	30345132	35-3/4" x 89-1/4" S&R Non-Text FIGiz FBGL Dr VistaGrande 26 x 74 Insert 4-3/8" Top White (CS)

**AMERICAN TEST LAB NORTH**  
 DATE 12/12/23  
 REPORT NO. ATLNC 0615.01-23

*Keith Owen*

**ATL INSPECTOR**

TITLE VISTA GRANDE SLABS FULL LITE  
 FINAL ASSEMBLY DETAILS

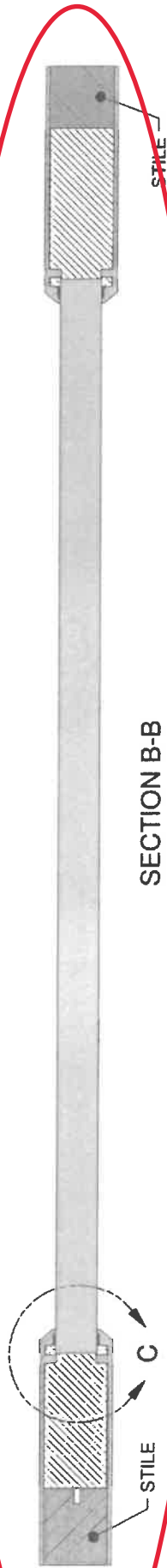


**MASONITE**

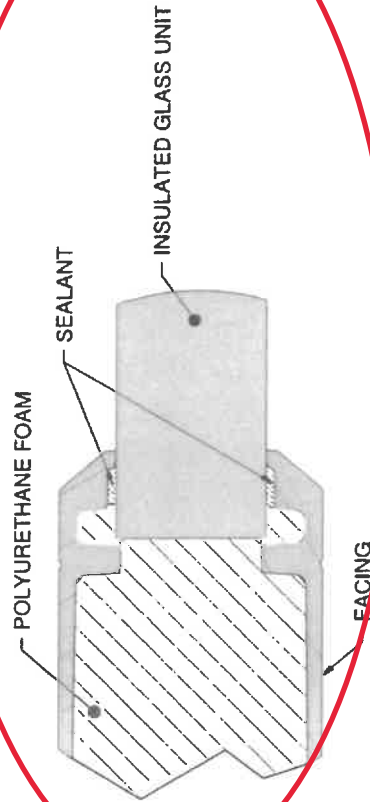
TOLERANCES UNLESS  
 OTHERWISE NOTED ARE:  
 FRACTION ± 1/32"  
 DECIMAL ± .031"  
 ANGLE ± 1°

DRAWING DESIGN AND OTHER DISCLOSURES ARE  
 THE PROPERTY OF MASONITE DOOR CORPORATION.  
 UNAUTHORIZED USE, MANUFACTURE OR REPRODUCTION  
 (IN WHOLE OR IN PART) IS PROHIBITED.

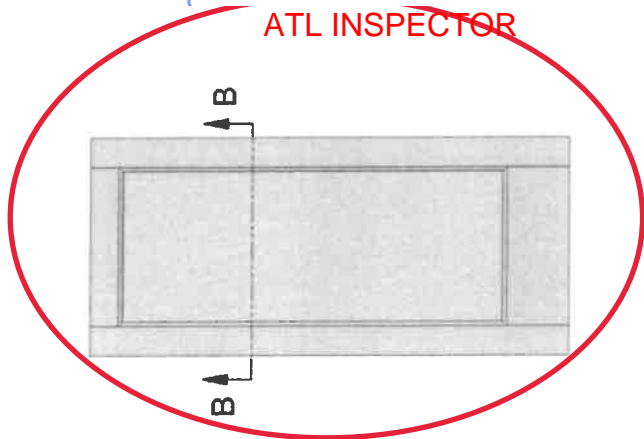
ORIGINAL (P/REV) / (S/D)	H
SCALE	NTS
SHEET	10 OF 11
DRAWN BY	lomeo
SHEET SIZE	B
DATE	6/27/2016
DRAWING	A1020163



SECTION B-B



DETAIL C



AMERICAN TEST LAB NORTH  
 DATE 12/12/23  
 REPORT NO. ATLNC 0615.01-23

*Keith Owen*  
 ATL INSPECTOR

TITLE: VISTA GRANDE SLABS FULL LITE FINAL ASSEMBLY DETAILS		ORIGINAL PCB REVISION: H
TOLERANCES UNLESS OTHERWISE NOTED ARE: FRACTION ± 1/32" DECIMAL ± .031" ANGLE ± 1°	SCALE: NTS	DRAWN BY: jlomeo
DRAWING DESIGN AND OTHER DISCLOSURES ARE THE PROPERTY OF MASONITE DOOR CORPORATION. UNAUTHORIZED USE, MANUFACTURE OR REPRODUCTION (IN WHOLE OR IN PART) IS PROHIBITED.	SHEET SIZE: B	DATE: 6/27/2016
	DRAWING: A1020163	



CONFIDENTIAL PROPERTY OF MASONITE PRINTED DRAWING MAY NOT BE MOST RECENT VERSION



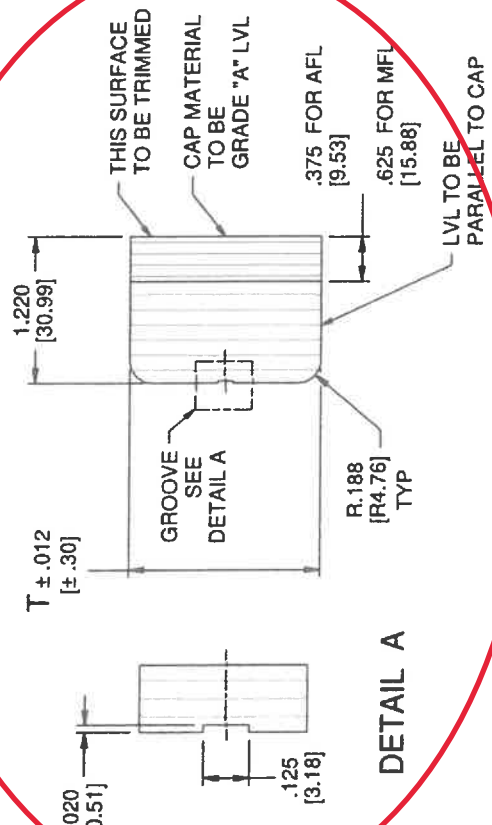
**AMERICAN TEST LAB NORTH**  
 DATE 12/12/23  
 REPORT NO. ATLNC 0615.01-23

*Keith Owen*

**ATL INSPECTOR**

**REVISION HISTORY**

REV	DESCRIPTION	PCR	DRAWN BY	DATE	APPROVED
E	(10) PART NUMBERS ADDED.	718	LBH	9/30/20	AAV
F	ADDED NOTE 8	940	DB	05/19/2022	AAV



PART NUMBER	DESCRIPTION	T	L	TYPE
582202150628.3750	28.375" FJ PN RAIL TOP	1.573	28.375	AFL
582202150628.5940	28.594" FJ PN RAIL TOP	1.573	28.594	MFL
582202150630.3750	30.375" FJ PN RAIL TOP	1.573	30.375	AFL
582202150630.5940	30.594" FJ PN RAIL TOP	1.573	30.594	MFL
582202150632.3750	32.375" FJ PN RAIL TOP	1.573	32.375	AFL
582202150632.5940	32.594" FJ PN RAIL TOP	1.573	32.594	MFL
582202150633.0310	33.031" FJ PN RAIL TOP	1.573	33.031	AFL
582202150634.3750	34.375" FJ PN RAIL TOP	1.573	34.375	AFL
582202150634.5940	34.594" FJ PN RAIL TOP	1.573	34.594	MFL
582202150728.3750	28.375" (GEN) FJ PN RAIL TOP	1.593	28.375	AFL
582202150728.5940	28.594" (GEN) FJ PN RAIL TOP	1.593	28.594	MFL
582202150730.3750	30.375" (GEN) FJ PN RAIL TOP	1.593	30.375	AFL
582202150730.5940	30.594" (GEN) FJ PN RAIL TOP	1.593	30.594	MFL
582202150732.3750	32.375" (GEN) FJ PN RAIL TOP	1.593	32.375	AFL
582202150732.5940	32.594" (GEN) FJ PN RAIL TOP	1.593	32.594	MFL
582202150733.0310	33.031" (GEN) FJ PN RAIL TOP	1.593	33.031	AFL
582202150734.3750	34.375" (GEN) FJ PN RAIL TOP	1.593	34.375	AFL
582202150734.5940	34.594" (GEN) FJ PN RAIL TOP	1.593	34.594	MFL
582202150740.5940	40.594" (GEN) FJ PN RAIL TOP	1.593	40.594	MFL

- NOTE:**
- SEE: EMS 306392 FOR WOOD INSPECTION STANDARDS
  - MATERIAL IS FINGER JOINTED OR LAP LVL OR EQUIVALENT
  - PARTS ARE UNPAINTED & WITH NO PRESERVATIVE FINISH
  - GRADE "A" LVL TO MEET "GRADED SURFACE X EXTERIOR"
  - SYMBOL (C) INDICATES CRITICAL DIMENSION
  - DIMENSIONS IN BRACKETS [XX] INDICATE METRIC mm DIMENSIONS
  - MILL OPTION TO USE ONE LAYER OF RADIATA PINE VENEER ON FRONT AND BACK.
  - ONE END OF THE THICK COMPONENTS (1.593" THICK) TO BE IDENTIFIED WITH YELLOW COLOR

**TITLE** 5/4 TOP RAIL  
 FIBERGLASS - PURCHASED

**ORIGINAL PCR REVISION** 9393 **F**

**SCALE** NTS **SHEET** 1 OF 1 **DRAWN BY** JL

**SHEET SIZE** B **DATE** 6/30/2016

**TOLERANCES UNLESS OTHERWISE NOTED ARE:**  
 FRACTION ± 1/32"  
 DECIMAL ± .031"  
 ANGLE ± 1°

**DRAWING** C2030367

**MASONITE**

DRAWING DESIGN AND OTHER DISCLOSURES ARE THE PROPERTY OF MASONITE DOOR CORPORATION. UNAUTHORIZED USE, MANUFACTURE OR REPRODUCTION (IN WHOLE OR IN PART) IS PROHIBITED.

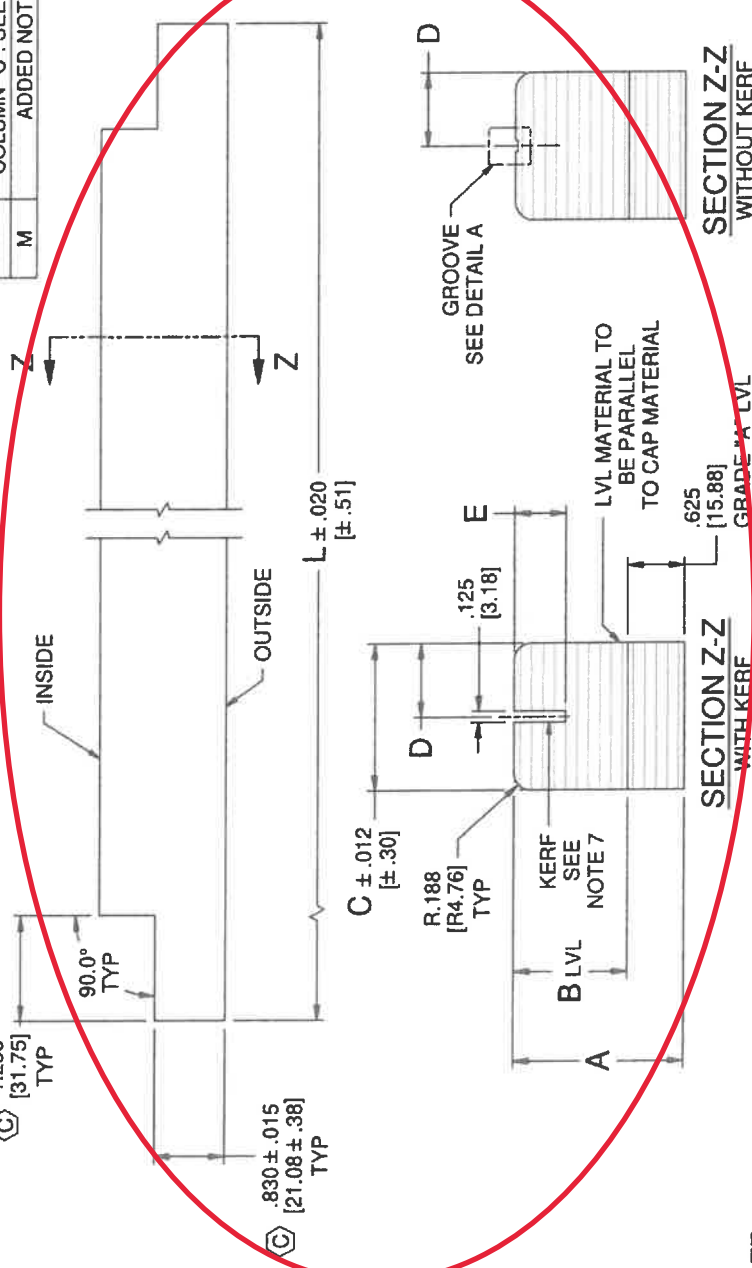


*Keith Owen*

ATL INSPECTOR

REVISION HISTORY				
REV	DESCRIPTION	PCR	DRAWN BY	DATE
K	(5) PART NUMBERS ADDED. SEE SHEET 2.	718	LBH	9/30/20
L	METRIC DATA CORRECTED IN COLUMN "C". SEE SHEET 2.	718	LBH	10/26/20
M	ADDED NOTE 11	940	DB	05/19/2022

REV	DATE	APPROVED
AAV	9/30/20	AAV
AAV	10/26/20	AAV
AAV	05/19/2022	AAV



NOTE:

1. SEE SPECIFICATION 306391 FOR WOOD INSPECTION STANDARDS
2. ACCEPTABLE MATERIAL IS: LVL WITH GRADE "A" LVL
3. ACCEPTABLE CONSTRUCTION CAN BE: LAP JOINT LVL OR FINGERJOINT LVL CONSTRUCTION
4. OUTSIDE GRADE "A" LVL TO BE 5/8" THICK
5. GRADE A LVL TO MEET "GRADED SURFACE X-EXTERIOR" SPECIFICATION FROM EMS 306391
6. PARTS ARE UNPAINTED AND WITHOUT PRESERVATIVE FINISH
7. KERF- SEE TABLE 1 IF APPLICABLE
8. SYMBOL (C) INDICATES CRITICAL DIMENSION
9. DIMENSIONS IN BRACKETS [XX] INDICATE METRIC mm DIMENSIONS
10. MILL OPTION TO USE ONE LAYER OF RADIATA PINE VENEER ON FRONT AND BACK.
11. ONE END OF THE THICK COMPONENTS (1.598" THICK) TO BE IDENTIFIED WITH YELLOW COLOR

TITLE		MFL WOOD STILES FOR FIBERGLASS - PURCHASED	
ORIGINAL PCR REVISION	9389	SCALE	M
SHEET	1 OF 2	DRAWN BY	JL
SHEET SIZE	B	DATE	7/26/2016
DRAWING	C2030387		
TOLERANCES UNLESS OTHERWISE NOTED ARE:		FRACTION ± 1/32" DECIMAL ± .031" ANGLE ± 1°	
DRAWING DESIGN AND OTHER DISCLOSURES ARE THE PROPERTY OF MASONITE DOOR CORPORATION. UNAUTHORIZED USE, MANUFACTURE OR REPRODUCTION (IN WHOLE OR IN PART) IS PROHIBITED.			



CONFIDENTIAL PROPERTY OF MASONITE PRINTED DRAWING MAY NOT BE MOST RECENT VERSION

MFL STILES										
PART NUMBER	DESCRIPTION	L	A	B (REF)	KERF	E	C	D		
589601020377.3751181	77.375 Single Ply with LVL Stiles Blnk Hng FJ Pine Edge Band	77.375 [1965.33]	1.500 [38.10]	0.875 [22.23]	NO	N/A	1.578 [40.08]	0.789 [20.04]		
589601020777.3751181	77.375" (Gen) Single Ply with LVL Stiles Blnk Hng FJ Pine Edge Band	77.375 [1965.33]	1.500 [38.10]	0.875 [22.23]	NO	N/A	1.598 [40.59]	0.799 [20.29]		
589601060377.3751181	77.375 Single Ply with LVL Stiles Blnk Strk FJ Pine Edge Band	77.375 [1965.33]	1.875 [47.63]	1.250 [31.75]	NO	N/A	1.578 [40.08]	0.789 [20.04]		
589601060777.3751181	77.375" (Gen) Single Ply with LVL Stiles Blnk Strk FJ Pine Edge Band	77.375 [1965.33]	1.875 [47.63]	1.250 [31.75]	YES	N/A	1.598 [40.59]	0.799 [20.29]		
589601060377.3752366	77.375 Single Ply with LVL Stiles Blnk Strk FJ Pine Edge Band With Foam Kerf	77.375 [1965.33]	1.875 [47.63]	1.250 [31.75]	NO	N/A	1.550 [39.37]	0.775 [19.69]		
582201010679.562622	79.562 FJ Pine Stiles Blnk OAKCRAFT SIDELITE	79.562 [2020.87]	1.220 [30.99]	0.595 [15.11]	NO	N/A	1.578 [40.08]	0.789 [20.04]		
582201010779.562622	79.562" (Gen) FJ Pine Stiles Blnk OAKCRAFT SIDELITE	79.562 [2020.87]	1.220 [30.99]	0.595 [15.11]	NO	N/A	1.598 [40.59]	0.799 [20.29]		
582201010679.5622368	79.562 FJ Stiles Blnk OAKCRAFT SIDELITE with Foam Kerf	79.562 [2020.87]	1.220 [30.99]	0.595 [15.11]	YES	0.375	1.550 [39.37]	0.755 [19.18]		
589601020379.5621181	79.562 Single Ply with LVL Stiles Blnk Hng FJ Pine Edge Band	79.562 [2020.87]	1.500 [38.10]	0.875 [22.23]	NO	N/A	1.578 [40.08]	0.789 [20.04]		
589601060379.5621181	79.562" (Gen) Single Ply with LVL Stiles Blnk Hng FJ Pine Edge Band	79.562 [2020.87]	1.500 [38.10]	0.875 [22.23]	NO	N/A	1.598 [40.59]	0.799 [20.29]		
589601060779.5621181	79.562 Single Ply with LVL Stiles Blnk Strk FJ Pine Edge Band	79.562 [2020.87]	1.875 [47.63]	1.250 [31.75]	NO	N/A	1.578 [40.08]	0.789 [20.04]		
589601060379.5622366	79.562 Single Ply with LVL Stiles Blnk Strk FJ Pine Edge Band With Foam Kerf	79.562 [2020.87]	1.875 [47.63]	1.250 [31.75]	YES	0.563	1.550 [39.37]	0.775 [19.69]		
589601010383.5621181	83.562 Single Ply with LVL Stiles Blnk FJ Pine Edge Band	83.562 [2122.47]	1.875 [47.63]	1.250 [31.75]	NO	N/A	1.578 [40.08]	0.789 [20.04]		
582201410693.375619	93.375 FJ Pine Stile Blnk Hng End-dado	93.375 [2371.73]	1.440 [36.58]	0.815 [20.70]	NO	N/A	1.578 [40.08]	0.789 [20.04]		
589601010393.3752366	93.375 Single Ply with LVL Stiles Blnk FJ Pine Edge Band With Foam Kerf	93.375 [2371.73]	1.875 [47.63]	1.250 [31.75]	YES	0.563	1.550 [39.37]	0.775 [19.69]		
582201010695.5622368	95.562 FJ Stiles Blnk OAKCRAFT SIDELITE with Foam Kerf	95.562 [2427.27]	1.220 [30.99]	0.595 [15.11]	YES	0.375	1.550 [39.37]	0.775 [19.69]		
582201010695.562622	95.562 FJ Stile Blnk OAKCRAFT SIDELITE	95.562 [2427.27]	1.220 [30.99]	0.595 [15.11]	NO	N/A	1.578 [40.08]	0.789 [20.04]		
589601010395.5622366	95.562 Single Ply with LVL Stiles Blnk FJ Pine Edge Band With Foam Kerf	95.562 [2427.27]	1.875 [47.63]	1.250 [31.75]	YES	0.563	1.550 [39.37]	0.775 [19.69]		
589601010395.5621181	95.562 Single Ply with LVL Stiles Blnk FJ Pine Edge Band	95.562 [2427.27]	1.875 [47.63]	1.250 [31.75]	NO	N/A	1.578 [40.08]	0.789 [20.04]		
589601010396.5001181	96.500 Single Ply with LVL Stiles Blnk Strk FJ Pine Edge Band	96.500 [2451.10]	1.875 [47.63]	1.250 [31.75]	NO	N/A	1.578 [40.08]	0.789 [20.04]		

AMERICAN TEST LAB NORTH  
DATE 12/12/23  
REPORT NO. ATLNC 0619-01-23

*Keith Owen*  
ATL INSPECTOR

\* SIDELITE STILES CAN BE FINGER JOINTED PINE CC

TITLE		MFL WOOD STILES FOR FIBERGLASS - PURCHASED	
ORIGINAL K/R REVISION	9389	M	
SCALE	NTS	SHEET	2 OF 2
TOLERANCES UNLESS OTHERWISE NOTED ARE:	FRACTION ± 1/32"	DATE	7/26/2016
	DECIMAL ± .031"		
	ANGLE ± 1°		
DRAWING			C2030387
DRAWING BY			
DRAWING DATE			
DRAWING SCALE			
DRAWING SHEET			



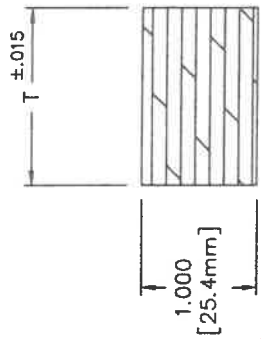
CONFIDENTIAL PROPERTY OF MASONITE PRINTED DRAWING MAY NOT BE MC

**AMERICAN TEST LAB NORTH**  
 DATE 12/12/23  
 REPORT NO. ATLNC 0615.01-23

*Keith Owen*  
 ATL INSPECTOR

PART #	DIM 'L'	DIM 'T'
580003200321.0002367	21"	1.545"
580003200312.0002367	12"	1.545"
580003200712.0002367	21"	1.565"
580003200721.0002367	12"	1.565"

L" ±1/8"  
 [± 3.175mm]



- NOTE:
- 1.) SEE EMS 306393 FOR INSPECTION STANDARDS.
  - 2.) SEE EMS 306393 FOR MATERIAL STANDARDS. USE OF PARTICLEBOARD IS NOT ALLOWED.
  - 3.) ONE END OF THE THICK COMPONENTS (1.565" THICK) TO BE IDENTIFIED WITH YELLOW COLOR.

TITLE: 1" NARROW LOCK BLOCK  
 PURCHASED



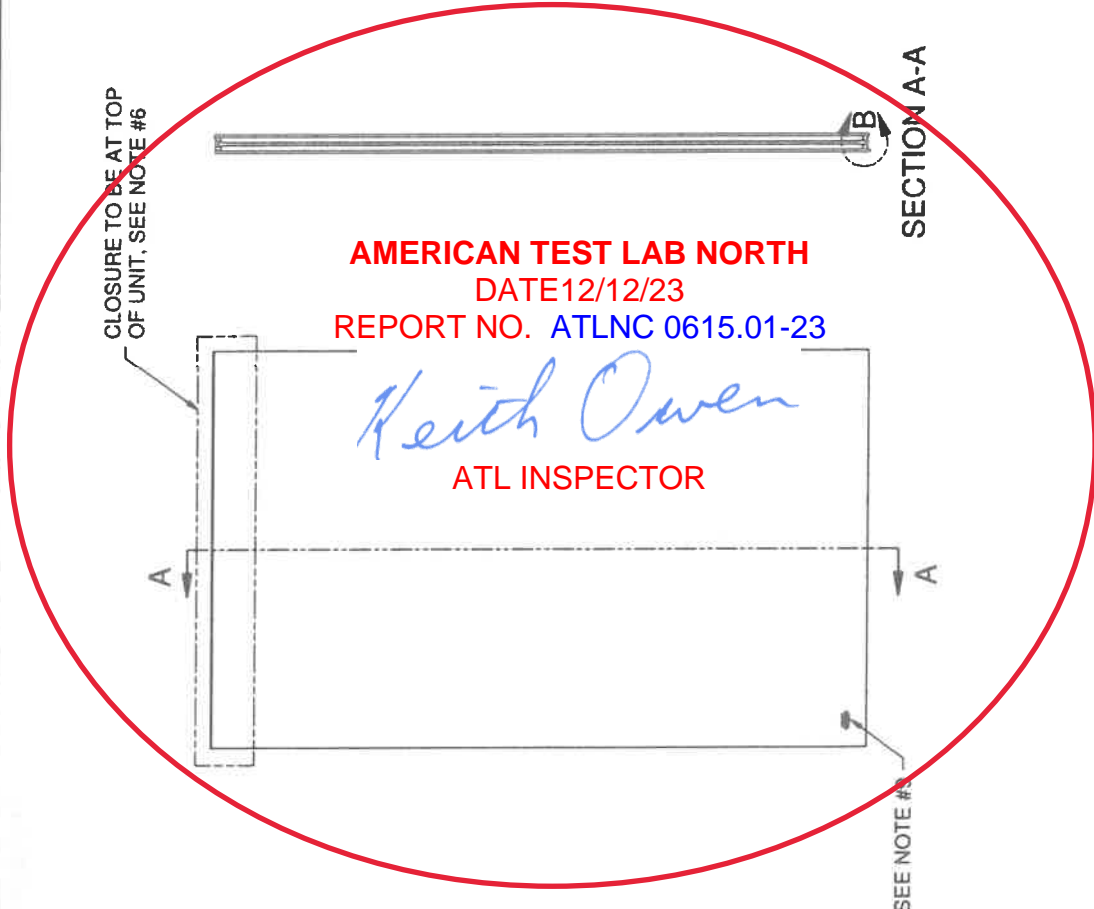
REV.	DESCRIPTION	DATE	INIT.	ECN#
J	REVISED LENGTH & PART NUMBER	10/3/14	AAV	9049
K	ADDED 12" PART NUMBER	3/9/15	AAV	9071
L	2 PART NUMBERS ADDED	9/30/20	AAV	718
M	ADDED NOTE 3	5/19/22	AAV	940

TOLERANCES UNLESS OTHERWISE NOTED ARE:	FRACTION ±1/32"	SCALE
	DECIMAL ±.031"	ELE 09/29/98
	ANGLE ±1°	CHECKED
DRAWING DESIGN AND OTHER DISCLOSURES ARE THE PROPERTY OF MASONITE DOOR CORPORATION. UNAUTHORIZED USE, MANUFACTURE OR REPRODUCTION, IN WHOLE OR IN PART, IS PROHIBITED.		DRAWING NUMBER
		RW10-0008

SPEC: MASONITE  
 ORDER NO. ---  
 ECN NO. ---

REVISION HISTORY					
REV	DESCRIPTION	PCR	DRAWN BY	DATE	APPROVED
E	EDITED LEADER TEXT ON SHEET 2	1201	DB	10/26/2022	AAV

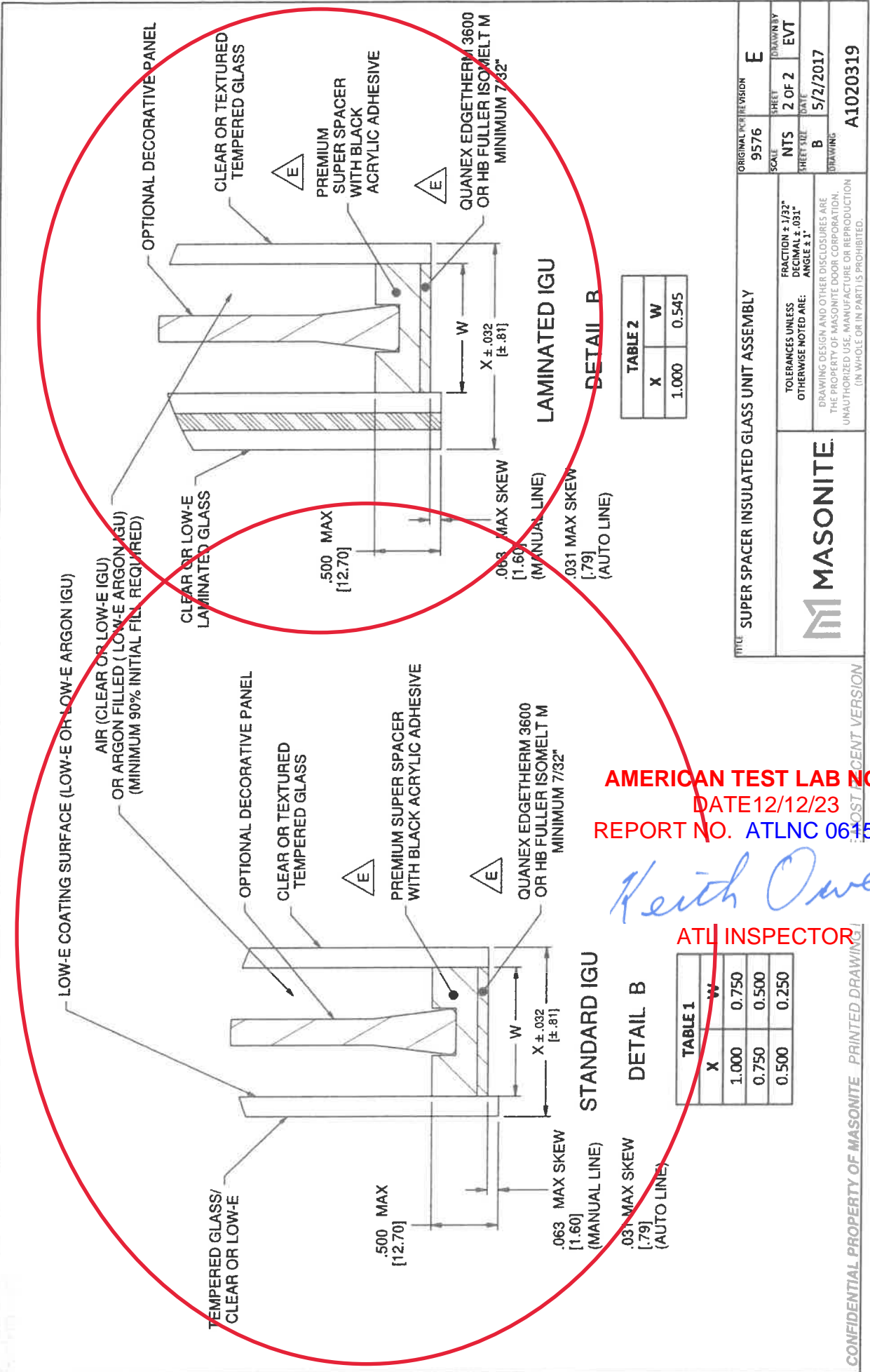
CLOSURE TO BE AT TOP OF UNIT. SEE NOTE #6



- NOTE:**
1. PREMIUM CUSHION EDGE SPACER SHOWN, PREMIUM SUPER SPACER SIMILAR REFER TO DRAWING C2030627 FOR SPACER DETAILS.
  2. SECONDARY SEAL MUST NOT EXTEND BEYOND EDGE OF GLASS.
  3. RECTANGULAR LITE SHOWN. DETAIL "B" IS TYPICAL OF ALL SHAPES AND SIDES.
  4. FOR IGU MANUFACTURING, INSPECTION & QUALITY REQUIREMENTS, REFER TO QUANEX SUPER SPACER INSULATING GLASS MANUFACTURING MANUAL.
  5. CLOSURE MUST BE TIGHT WITH NO GAPS OR VOIDS IN SEALANT.
  6. CLOSURE TO BE LOCATED AT TOP OF THE SEALED UNIT, UNLESS OTHERWISE SPECIFIED.
  7. SEE SBP-EMS-0001 FOR FLAT GLASS SPECIFICATIONS.
  8. SEE SBP-EMS-0006 FOR FLAT GLASS QUALITY SPECIFICATIONS.
  9. TEMPER LOGOS ON BOTH PANES TO ALIGN IN SAME CORNER.
  10. ALL TEMPERED GLASS MUST COMPLY WITH THE CODES AND STANDARDS LISTED IN SPEC. #SBP-EMS-0001, SECTION 3.0.
  11. ALL TEMPERED GLASS TO BE MARKED WITH LOGO PER SPEC. # SBP-EMS-0001, SECTION 4.0.
  12. IG UNITS TO BE 3RD PARTY CERTIFIED TO ASTM E 2190 "STANDARD SPECIFICATION FOR INSULATING GLASS UNIT FOR PERFORMANCE AND EVALUATION" AND BE MARKED PER THEIR INSPECTION AGENCY REQUIREMENTS.
  13. IG CERTIFICATION LOGO TO BE SAME CORNER OF IGU AS TEMPERED GLASS LOGO.
  14. FOR CONSTRUCTION DETAILS, ACCEPTABLE MATERIALS, QUALITY STANDARDS, AND PERFORMANCE REQUIREMENTS OF LAMINATED SAFETY GLASS FOR LAMINATED IGU, REFER TO MASONITE EMS # SBP-EMS-0008.
  15. DIMENSIONS IN BRACKETS [XX] INDICATE METRIC .mm DIMENSIONS
  16. IGU EDGE SHOULD BE FREE FROM EMBEDDED PIECES OF GLASS/CARDBOARD/CORK PADS ETC.

TITLE SUPER SPACER INSULATED GLASS UNIT ASSEMBLY		ORIGINAL PCR REVISION	E
TOLERANCES UNLESS OTHERWISE NOTED ARE:		SCALE	NTS
FRACTION ± 1/32"		SHEET	1 OF 2
ORIGINAL ± .031"		SHEET SIZE	B
ANGLE ± 1°		DATE	5/2/2017
DRAWING DESIGN AND OTHER DISCLOSURES ARE THE PROPERTY OF MASONITE DOOR CORPORATION. UNAUTHORIZED USE, MANUFACTURE OR REPRODUCTION (IN WHOLE OR IN PART) IS PROHIBITED.		DRAWING	
MASONITE		A1020319	

CONFIDENTIAL PROPERTY OF MASONITE PRINTED DRAWING MAY NOT BE MOST RECENT VERSION



AMERICAN TEST LAB NORTH  
 DATE 12/12/23  
 REPORT NO. ATLNC 0615.01-23

*Keith Owen*

ATL INSPECTOR

TABLE 2

X	W
1.000	0.545

TABLE 1

X	W
1.000	0.750
0.750	0.500
0.500	0.250

**MASONITE**

CONFIDENTIAL VERSION

CONFIDENTIAL PROPERTY OF MASONITE PRINTED DRAWING

ORIGINAL REVISION: 9576 E

SCALE: NTS 2 OF 2

SHEET SIZE: B

DATE: 5/2/2017

DRAWING: A1020319

TOLERANCES UNLESS OTHERWISE NOTED ARE:  
 FRACTION ± 1/32"  
 DECIMAL ± .031"  
 ANGLE ± 1°

DRAWING DESIGN AND OTHER DISCLOSURES ARE THE PROPERTY OF MASONITE DOOR CORPORATION. UNAUTHORIZED USE, MANUFACTURE OR REPRODUCTION (IN WHOLE OR IN PART) IS PROHIBITED.

LAMINATED IGU

DETAIL B

STANDARD IGU

DETAIL B