

8'-0" MPDS OXO and XX Door Units Impact Lab Drawings

Installation

- Windload Assembly Procedural Guide Composite 082517 p.11 – Anchor Detail

Door System

- Windload Assembly Procedural Guide Composite 082517 p.2 – Double Door
- Windload Assembly Procedural Guide Composite 082517 p.4 – Single Door w/Sidelites
- C2030856 rev A p. 2 of 2 – Composite Jamb
- C2030642 rev A – Composite Header OXO
- C2030856 rev A p. 1 of 2 – Composite Header XX
- C2031231 rev A p. 1-3 – Articulating Cap Inswing Threshold
- C2030805 rev B p. 1-3 – Z-Series Outswing Threshold
- C2030321 rev F p.1-2 – Composite Inswing Mullion
- C2031448 rev A p.1-2 – Composite Outswing Mullion
- 119XX.01-109-12-53.54 rev X.001 p.7-8 – Panolock for 8'-0" Single Door
- 119XX.01-109-12-55.56 rev X.001 p.9-10 – Panolock for 8'-0" Double Door

Flush Glazed Door Panel

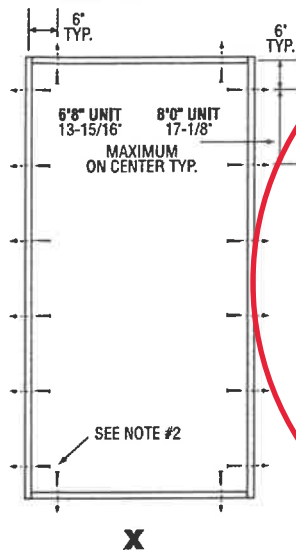
- A1020163 rev H p. 1-11 – Panel Assembly
- C2030367 rev F – Top Rail
- C2030330 rev F p. 2 of 3 – Composite Bottom Rail
- C2030387 rev M p. 1-2 – Stiles
- RW10-00008 rev M – Lock Block
- A1020319 rev D p. 1-2 – Insulated Glass

AMERICAN TEST LAB NORTH
DATE 12/12/23
REPORT NO. ATLNC 0614.01-23

Keith Owen

ATL INSPECTOR

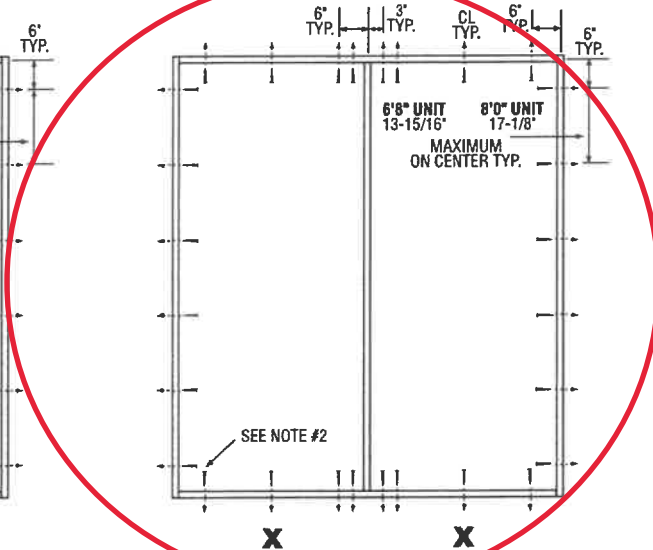
STRUCTURAL PERFORMANCE ANCHOR DETAIL



Minimum Fastener Count

- 2 per horizontal framing member
- 6 per vertical framing member

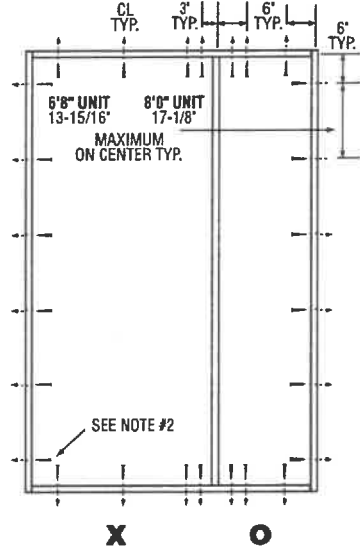
See notes for additional detail



Minimum Fastener Count

- 8 per horizontal framing member
- 6 per vertical framing member

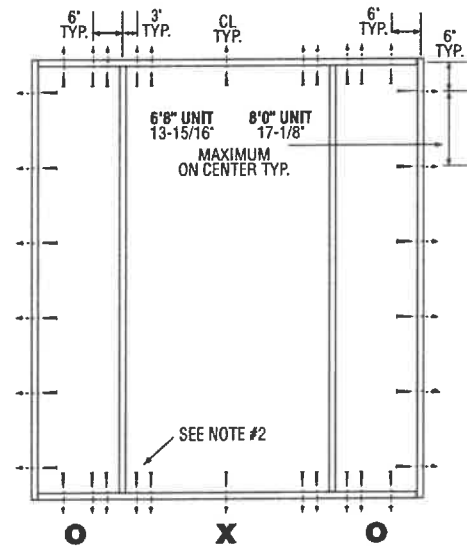
See notes for additional detail



Minimum Fastener Count

- 7 per horizontal framing member
- 6 per vertical framing member

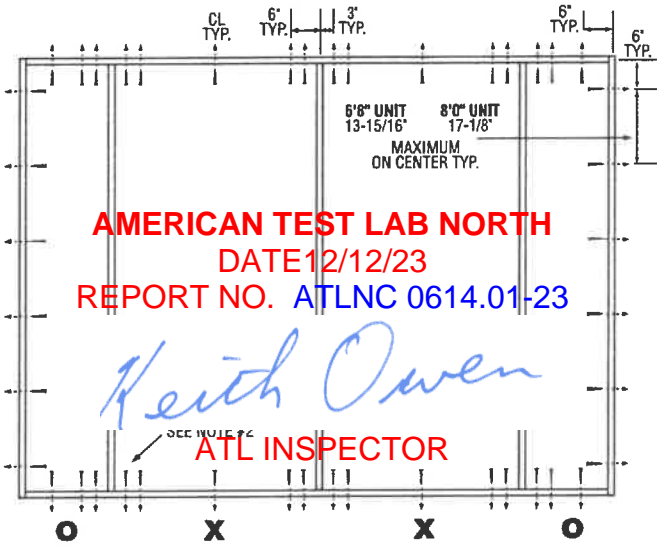
See notes for additional detail



Minimum Fastener Count

- 11 per horizontal framing member
- 6 per vertical framing member

See notes for additional detail



Minimum Fastener Count

- 16 per horizontal framing member
- 6 per vertical framing member

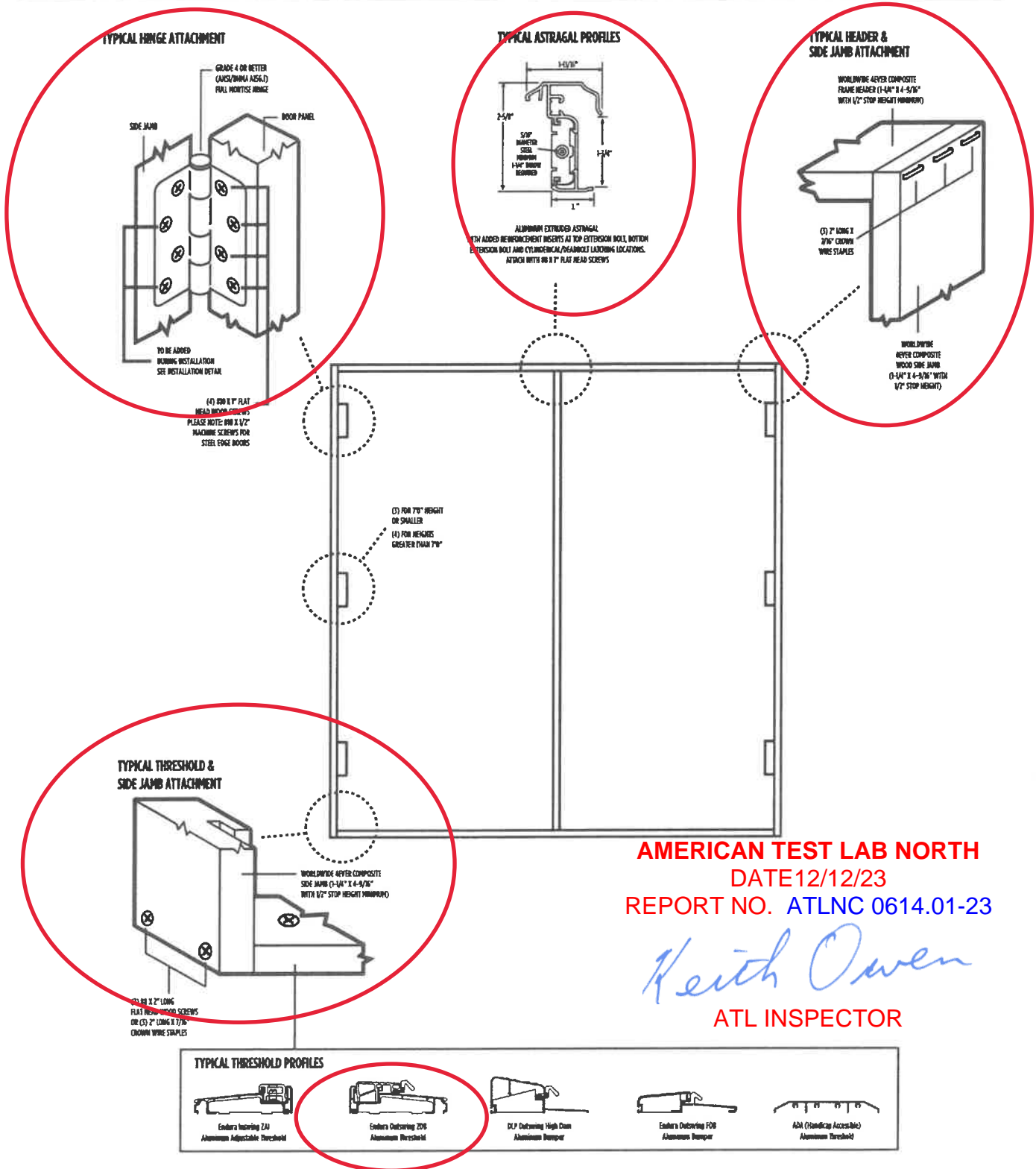
See notes for additional detail

AMERICAN TEST LAB NORTH
DATE 12/12/23
REPORT NO. ATLNC 0614.01-23
Keith Owen
ATL INSPECTOR

- NOTES:**
1. Cylindrical and deadbolt hardware required at 5-1/2" centerline for 6'8" and smaller and 10-1/2" centerline for door heights greater than 6'8". Evaluated with Kwikset Series 400 latch and Series 980 deadbolt.
 2. Fasteners analyzed for this unit include #10 wood screws (1-1/2" embedment) or 3/16" Tapcons (1-1/4" embedment).
 3. One #10 x 2-1/2" screws required through each hinge on the vertical jamb or mullion.
 4. Two #8 x 2" screws required through each strike plate.
 5. Wood bucks by others, must be anchored properly to transfer loads to the structure.
 6. Rough opening to accommodate no greater than 1/4" shim space.

©2017
Our Continuing program of product improvement makes specifications design and product detail subject to change without notice



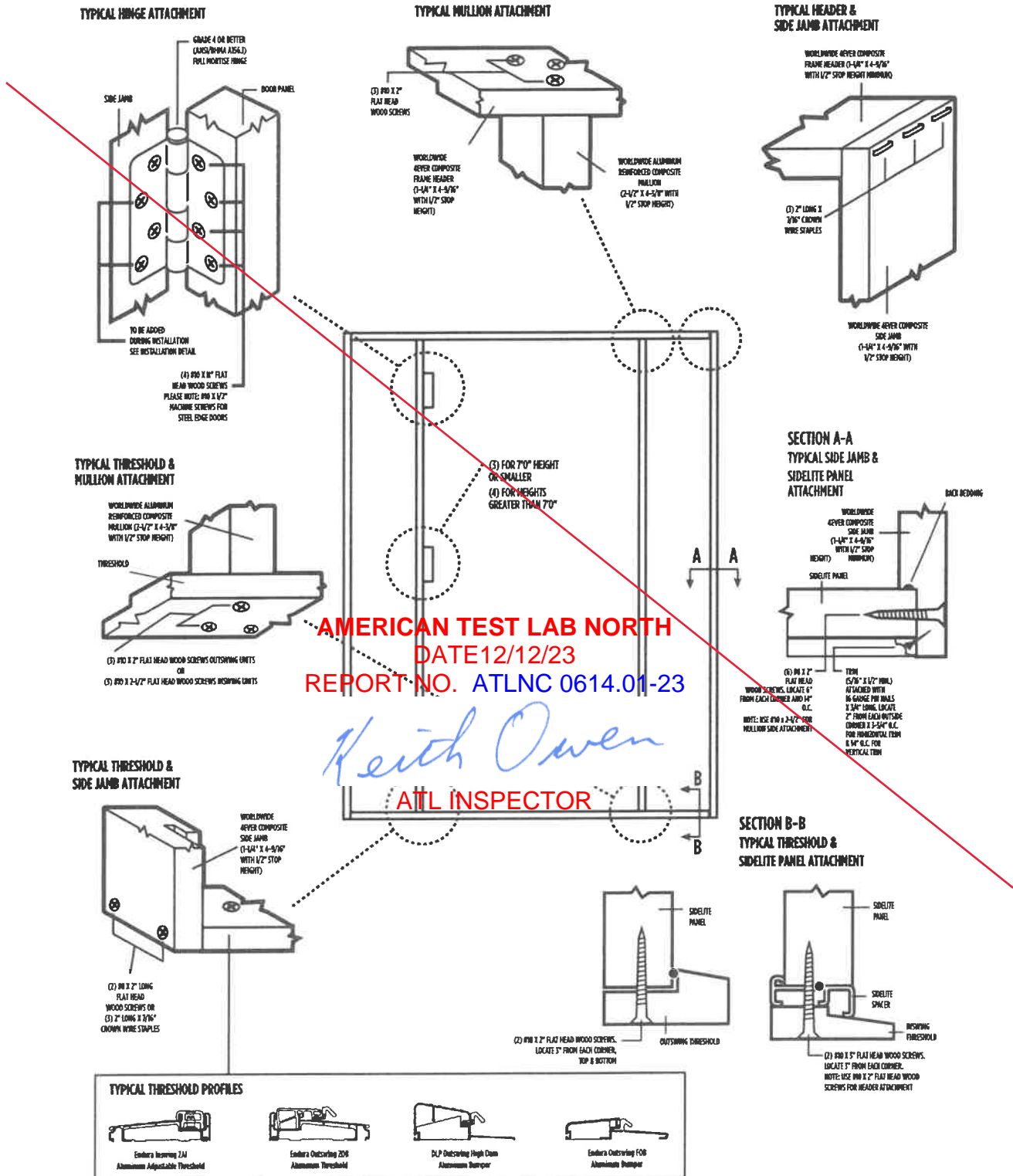


AMERICAN TEST LAB NORTH
DATE 12/12/23
REPORT NO. ATLNC 0614.01-23

Keith Owen
ATL INSPECTOR

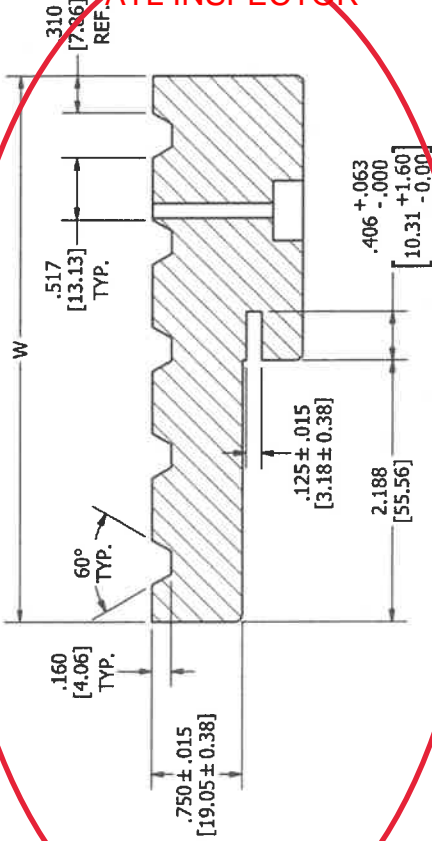
© 2017
Our Continuing program of product improvement makes specifications, design and product detail subject to change without notice

UNIT WITH SINGLE DOOR & TWO SIDELITES



©2017
Our Continuing program of product improvement makes specifications design and product detail subject to change without notice.

Keith Owen
 ATL INSPECTOR



SECTION B-B

PART NUMBER	DESCRIPTION	L	W
74399312546680351232	4-9/16" x 81-5/8 1-1/4" COMPOSITE PRIMED JAMB LHIS-BLK	81.875 [2079.63]	4.563 [115.89]
74399312546680371232	4-9/16" x 81-5/8 1-1/4" COMPOSITE PRIMED JAMB RHIS-BLK	81.875 [2079.63]	4.563 [115.89]
74399312546297351232	4-9/16" x 97-5/8" 1-1/4" COMPOSITE PRIMED JAMB LHIS-BLK	97.875 [2486.03]	4.563 [115.89]
74399312546297371232	4-9/16" x 97-5/8" 1-1/4" COMPOSITE PRIMED JAMB RHIS-BLK	97.875 [2486.03]	4.563 [115.89]
74399312553680351232	5-1/4" x 81-5/8 1-1/4" COMPOSITE PRIMED JAMB LHIS-BLK	81.875 [2079.63]	5.250 [133.35]
74399312553680371232	5-1/4" x 81-5/8 1-1/4" COMPOSITE PRIMED JAMB RHIS-BLK	81.875 [2079.63]	5.250 [133.35]
74399312553297351232	5-1/4" x 97-5/8" 1-1/4" COMPOSITE PRIMED JAMB LHIS-BLK	97.875 [2486.03]	5.250 [133.35]
74399312553297371232	5-1/4" x 97-5/8" 1-1/4" COMPOSITE PRIMED JAMB RHIS-BLK	97.875 [2486.03]	5.250 [133.35]
74399312566680351232	6-9/16" x 81-5/8 1-1/4" COMPOSITE PRIMED JAMB LHIS-BLK	81.875 [2079.63]	6.563 [166.69]
74399312566680371232	6-9/16" x 81-5/8 1-1/4" COMPOSITE PRIMED JAMB RHIS-BLK	81.875 [2079.63]	6.563 [166.69]
74399312566297351232	6-9/16" x 97-5/8" 1-1/4" COMPOSITE PRIMED JAMB LHIS-BLK	97.875 [2486.03]	6.563 [166.69]
74399312566297371232	6-9/16" x 97-5/8" 1-1/4" COMPOSITE PRIMED JAMB RHIS-BLK	97.875 [2486.03]	6.563 [166.69]

NOTE:

1. SYMBOL \odot INDICATES CRITICAL DIMENSION.
2. DIMENSIONS IN BRACKETS [XX] INDICATE METRIC mm DIMENSIONS.
3. RIGHT HAND SHOWN, KEFT HAND OPPOSITE.
4. SEE EMS# 07567 FOR DIMENSIONAL TOLERANCING.
5. NO ADDED LEAD ALLOWED, ALL LEAD LEVELS MUST BE LESS THAN 200PPM OR 0.02% AS TESTED BY ASTM D3335 (2005).

TITLE: ENTRY BLANK HEADER & JAMB- COMPOSITE WORLDWIDE

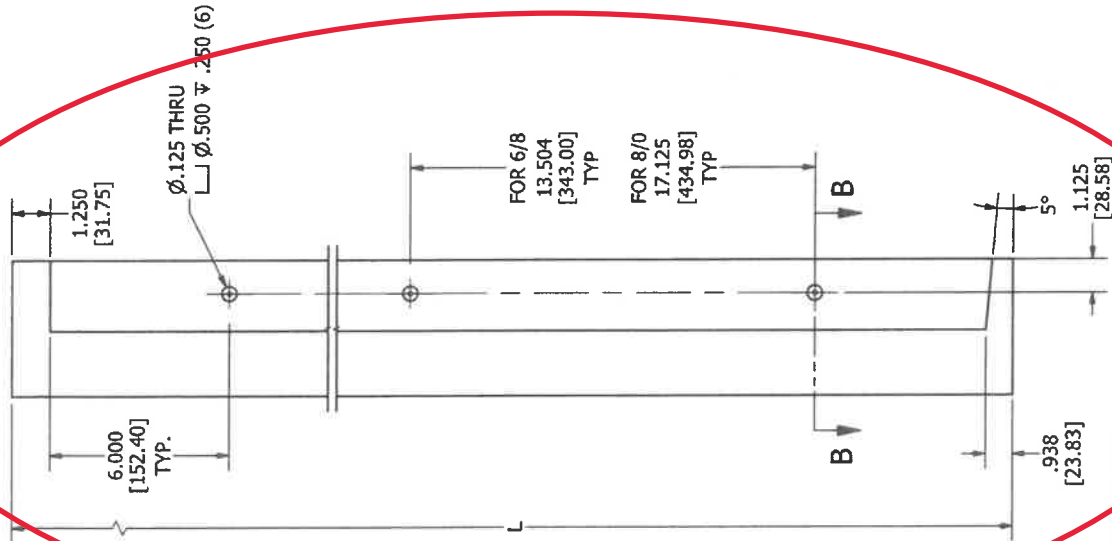
ORIGINAL FOR No. REV: A

SCALE: NTS
 DRAWN BY: 4/21/2018
 SHEET: B
 SIZE: B
 DRAWING No. C2030856



TOLERANCES UNLESS OTHERWISE NOTED ARE:
 FRACTION ± 1/32"
 DECIMAL ± .031"
 ANGLE ± 1°

DRAWING DESIGN AN OTHER DISCLOSURES ARE THE PROPERTY OF MASONITE DOOR CORPORATION. UNAUTHORIZED USE, MANUFACTURE OR REPRODUCTION, IN WHOLE OR IN PART, IS PROHIBITED.



CONFIDENTIAL
 PROPERTY OF MASONITE

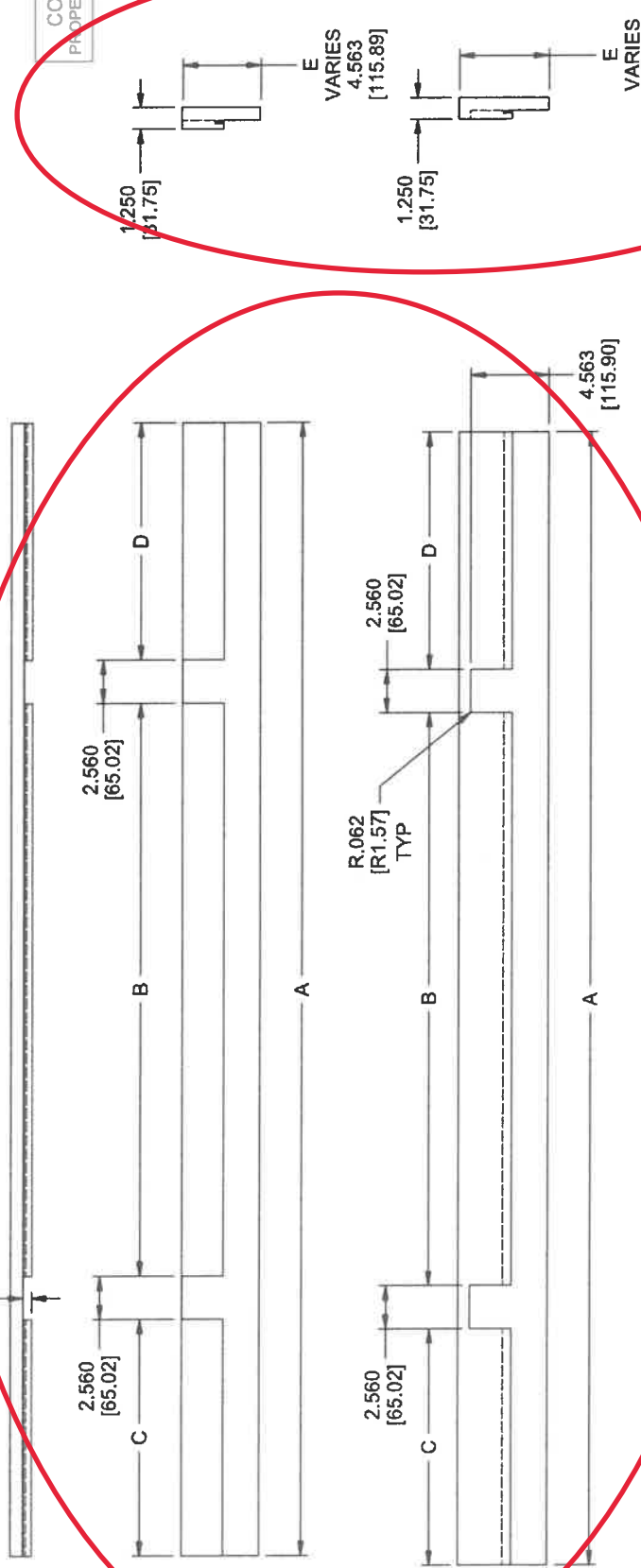
IF PRINTED, MAY NOT BE MOST RECENT VERSION

Keith Owen
ATL INSPECTOR

REVISION HISTORY			
REV	DESCRIPTION	PCR	DRW BY
A	RELEASED	9449	EVT

DATE	CHK BY
06/21/17	BK

CONFIDENTIAL
 PROPERTY OF MASONITE



PART NUMBER	A	B	C	D	E	DESCRIPTION
	67,000	35,000	13,440	13,440	4,563	4-9/16" x 1/2-3/8-1/2 x 1-1/4" Composite
	63,000	35,000	11,440	11,440	4,563	4-9/16" x 1/0-3/8-1/0 x 1-1/4" Composite
	67,000	35,000	13,440	13,440	6,563	6-9/16" x 1/2-3/8-1/2 x 1-1/4" Composite
	63,000	35,000	11,440	11,440	6,563	6-9/16" x 1/0-3/8-1/0 x 1-1/4" Composite
	53,000	35,000	13,440	OMIT	VARIES	1/2-3/0
	53,000	35,000	13,440	13,440	VARIES	3/0-1/2
	51,000	35,000	11,440	OMIT	VARIES	1/0-3/0
	51,000	35,000	11,440	13,440	4,563	4-9/16" x 1/2-3/8-1/2 x 1-1/4" Composite
	63,000	31,000	13,440	13,440	6,563	6-9/16" x 1/2-2/8-1/2 x 1-1/4" Composite
	53,000	31,000	11,440	11,440	VARIES	1/0-2/8-1/0
	61,000	29,000	13,440	13,440	4,563	4-9/16" x 1/2-2/8-1/2 x 1-1/4" Composite
	57,000	29,000	11,440	11,440	VARIES	1/0-2/8-1/0

NOTE:
 1. REFER TO DRAWING E-F-BJIS FOR JAMB PROFILE DETAILS
 2. REFER TO EMS # 07567 FOR COMPLETE SPECS
 3. REFER TO EMS # 72401 FOR COLOR SPECS
 4. PARTS MUST CONFORM TO WOOD MOULDING AND MILL WORK PRODUCER STANDARD WM3-79
 5. SYMBOL (C) INDICATES CRITICAL DIMENSION
 6. DIMENSIONS IN BRACKETS [XX] INDICATE METRIC mm DIMENSIONS

TITLE: CONTINUOUS HEADER FOR 2-1/2" X 4-9/16" MULL

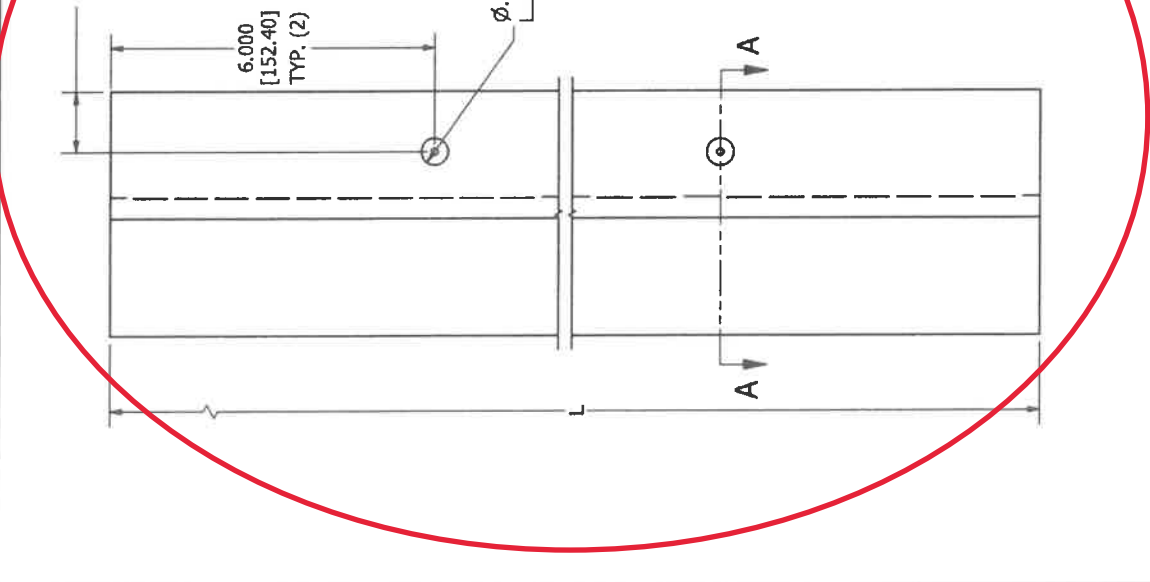
REV: A	ORIGINAL PCN NO: 9449	SCALE: NTS	FRACTION ± 1/32"
DRAWN: 05/25/17	SHEET SIZE: B	DECIMAL ± .031"	ANGLE ± 1°
DRAWN BY: EVT	SHEET: 1 OF 1	TOLERANCES UNLESS OTHERWISE NOTED ARE:	
DRAWING NO.: C2030642			



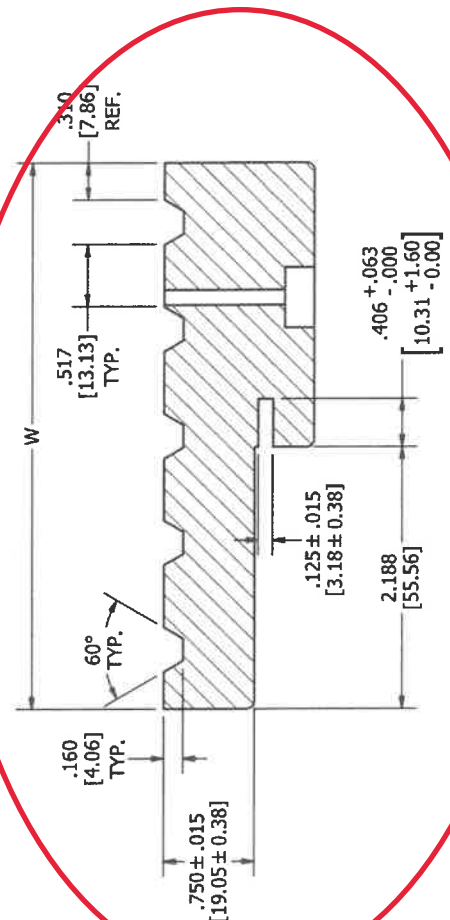
IF PRINTED MAY NOT BE MOST RECENT VERSION

REV	DESCRIPTION	PCR	DRAWN BY	DATE	APPROVED
A	RELEASED	167	EIrejo	5/22/2018	BK

1.125 [28.58] FOR 4-9/16" & 5-1/4" &
 2.125 [53.98] FOR 6-9/16" TYP. (2)



REVISION HISTORY



SECTION A-A

PART #	DESCRIPTION	L	W
74399312546978101232	4-9/16" X 3/0 X 1-1/4" COMPOSITE PRIMED JAMB HEAD	36.000 [914.40]	4.563 [115.89]
74399312546988101232	4-9/16" X 6/0 X 1-1/4" COMPOSITE PRIMED JAMB HEAD	72.500 [1841.50]	4.563 [115.89]
74399312553978101232	5-1/4" X 3/0 X 1-1/4" COMPOSITE PRIMED JAMB HEAD	36.000 [914.40]	5.250 [133.35]
74399312553988101232	5-1/4" X 6/0 X 1-1/4" COMPOSITE PRIMED JAMB HEAD	72.500 [1841.50]	5.250 [133.35]
74399312566978101232	6-9/16" X 3/0 X 1-1/4" COMPOSITE PRIMED JAMB HEAD	36.000 [914.40]	6.563 [166.69]
74399312566988101232	6-9/16" X 6/0 X 1-1/4" COMPOSITE PRIMED JAMB HEAD	72.500 [1841.50]	6.563 [166.69]

NOTE:

1. SYMBOL $\text{\textcircled{C}}$ INDICATES CRITICAL DIMENSION.
2. DIMENSIONS IN BRACKETS [XX] INDICATE METRIC DIMENSIONS.
3. SEE EMS# 07567 FOR DIMENSIONAL TOLERANCING.
4. NO ADDED LEAD ALLOWED. ALL LEAD LEVEL MUST BE LESS THAN 200PPM OR 0.02% AS TESTED BY ASTM D3335 (2005).

TITLE: ENTRY BLANK HEADER & JAMB- COMPOSITE WORLDWIDE	REV: A
ORIGINAL PCR No.	SCALE: NTS
TOLERANCES UNLESS OTHERWISE NOTED ARE:	DRAWN BY: 4/21/2018 Etrejo
FRACTION $\pm \frac{1}{32}$ "	SHEET: B
DECIMAL $\pm .031$ "	SIZE: 1 OF 2
ANGLE $\pm 1'$	DRAWING No. C2030856



AMERICAN TEST LAB NORTH
 DATE 12/12/23
 REPORT NO. ATLNC 0614.01-23

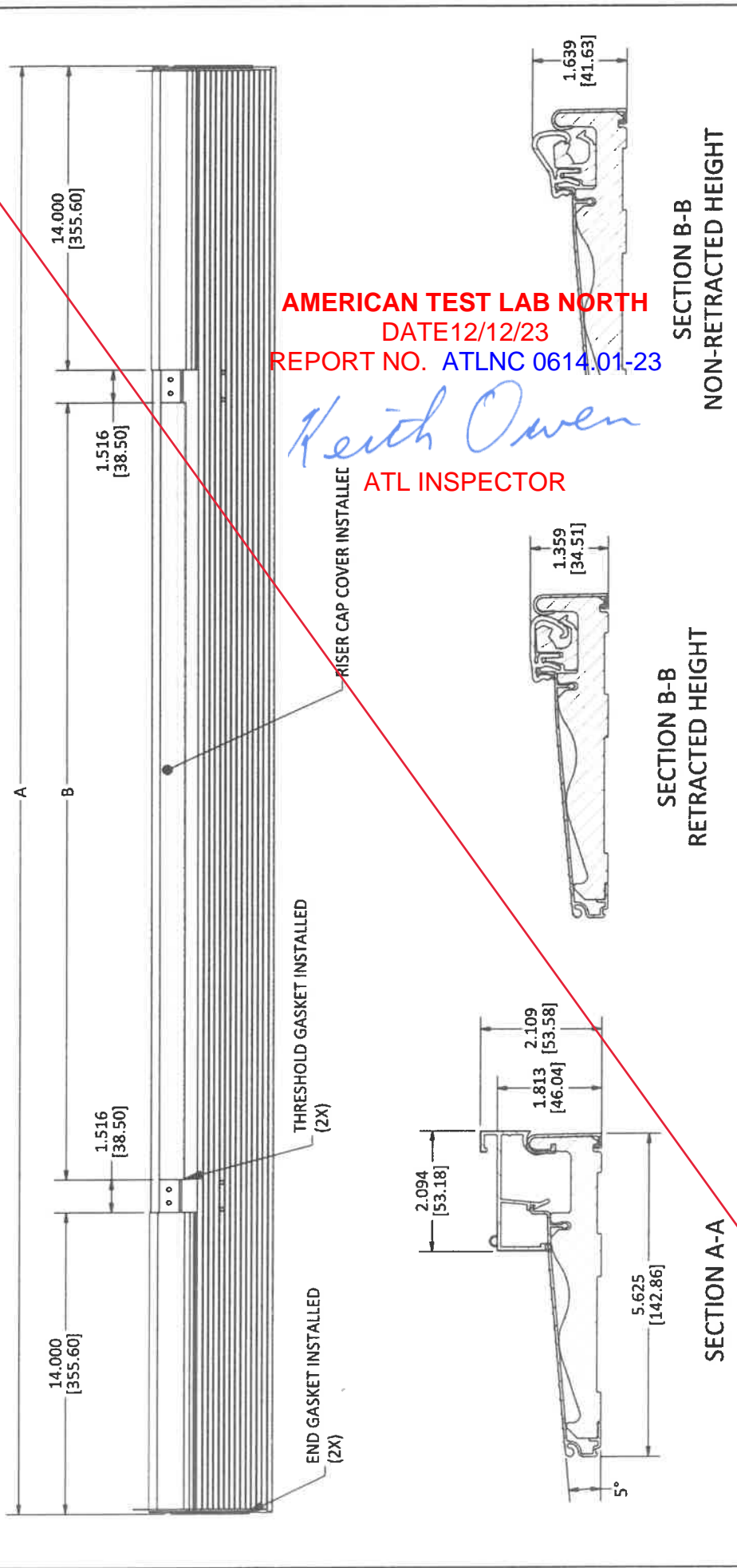
Keith Owen
 ATL INSPECTOR

CONFIDENTIAL
 PROPERTY OF MASONITE

IF PRINTED MAY NOT BE MOST RECENT I/E

REV	DESCRIPTION	PCR	DRAWN BY	DATE	APPROVED
A	RELEASED	653/813	ET	08/05/2021	SM

REVISION HISTORY					
REV	DESCRIPTION	PCR	DRAWN BY	DATE	APPROVED
A	RELEASED	653/813	ET	08/05/2021	SM



AMERICAN TEST LAB NORTH
DATE 12/12/23
REPORT NO. ATLNC 0614.01-23

Keith Owen
ATL INSPECTOR

SECTION B-B
NON-RETRACTED HEIGHT

SECTION B-B
RETRACTED HEIGHT

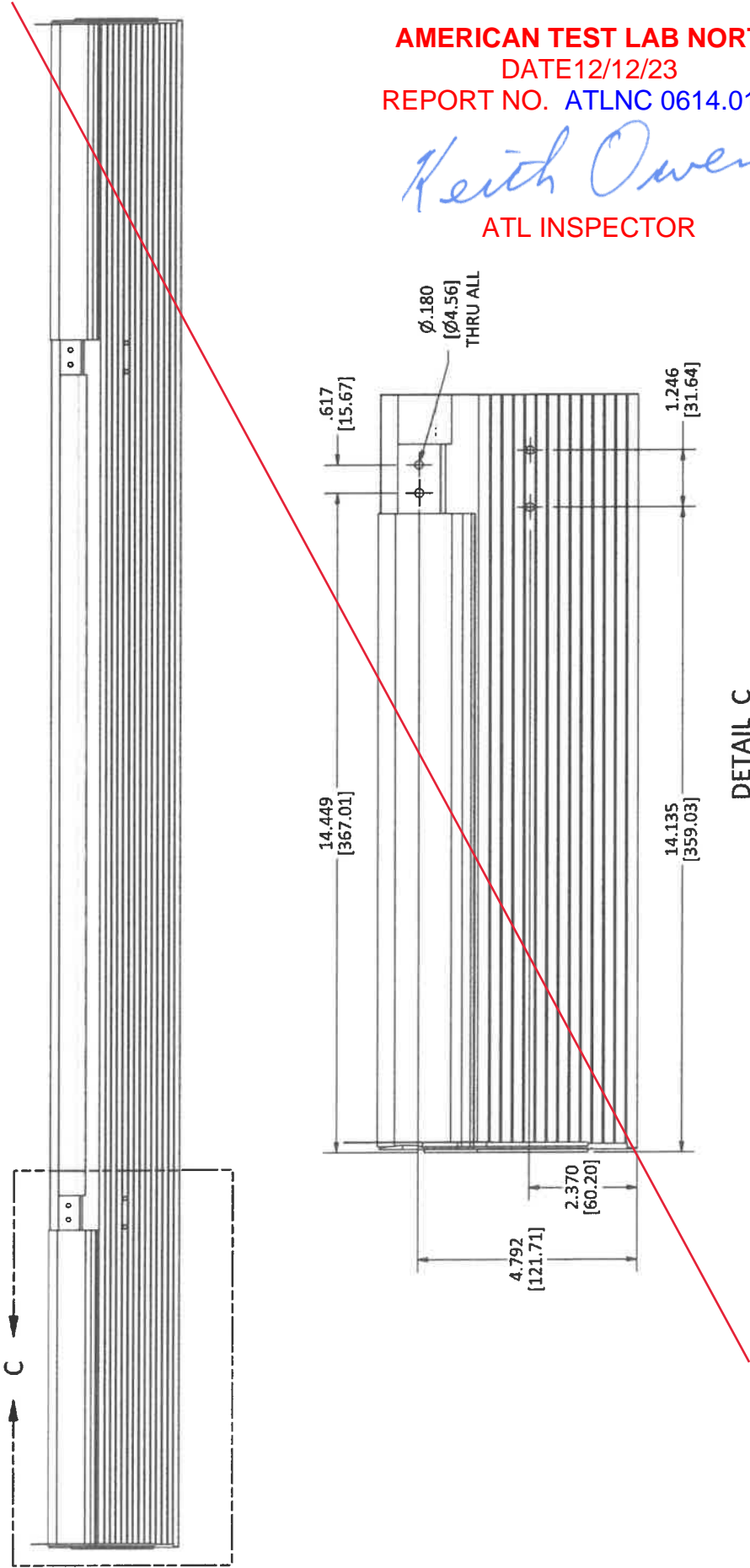
SECTION A-A

TITLE		5-5/8" CONTINUOUS ARTICULATING SILL WITH SUBSTRATE		ORIGINAL PCR	REVISION	A	
SCALE	SHEET	NTS	DATE	653/813	1 OF 3	EVT	
TOLERANCES UNLESS OTHERWISE NOTED ARE:		FRACTION ± 1/32"	DECIMAL ± .031"	DRAWN BY			
DRAWING DESIGN AND OTHER DISCLOSURES ARE THE PROPERTY OF MASONITE DOOR CORPORATION. UNAUTHORIZED USE, MANUFACTURE OR REPRODUCTION (IN WHOLE OR IN PART) IS PROHIBITED.		ANGLE ± 1°	DATE				
MASONITE		B		2/10/2021		DRAWING	
							C2031231

- NOTE:**
1. SILL TO HAVE LINEAL SUBSTRATE FOR ABILITY TO CUT DOWN
 2. DIMENSIONS IN BRACKETS [XX] INDICATE METRIC DIMENSIONS
 3. SYMBOL Ⓞ INDICATES CRITICAL DIMENSION

CONFIDENTIAL - PROPERTY OF MASONITE - PRINTED DRAWING MAY NOT BE MOST RECENT VERSION

Revised



AMERICAN TEST LAB NORTH
 DATE 12/12/23
 REPORT NO. ATLNC 0614.01-23

Keith Owen
 ATL INSPECTOR

DETAIL C
 (2 PLACES)

ORIGINAL PCB REVISION		A	
SCALE	SHEET	DRAWN BY	EVT
653/813	2 OF 3	NTS	2/10/2021
TOLERANCES UNLESS OTHERWISE NOTED ARE:		DRAWING	
FRACTION ± 1/32"		B	
DECIMAL ± .031"		C2031231	
ANGLE ± 1°			
THE PROPERTY OF MASONITE DOOR CORPORATION. UNAUTHORIZED USE, MANUFACTURE OR REPRODUCTION (IN WHOLE OR IN PART) IS PROHIBITED.			

NOTE:
 1. DIMENSIONS IN BRACKETS [XX] INDICATE METRIC mm DIMENSIONS.
 2. SYMBOL Ⓢ INDICATES CRITICAL DIMENSION.

CONFIDENTIAL PROPERTY OF MASONITE PRINTED DRAWING MAY NOT BE MOST RECENT VERSION

Released

AMERICAN TEST LAB NORTH
DATE 12/12/23
REPORT NO. ATLNC 0614.01-23

Keith Owen
ATL INSPECTOR

Part Number	Description	A	B
232273019.00	1/2-2/8-1/2 X 5-5/8 1/S BLACK CAP ARTICULATING SILL MILL FINISH W/SUB	63.000 [1600.20]	31.969 [812.01]
232273020.00	1/2-3/0-1/2 X 5-5/8 1/S BLACK CAP ARTICULATING SILL MILL FINISH W/SUB	67.000 [1701.80]	35.969 [913.61]
232283019.00	1/2-2/8-1/2 X 5-5/8 1/S BLACK CAP ARTICULATING SILL BRONZE FINISH W/SUB	63.000 [1600.20]	31.969 [812.01]
232283020.00	1/2-3/0-1/2 X 5-5/8 1/S BLACK CAP ARTICULATING SILL BRONZE FINISH W/SUB	67.000 [1701.80]	35.969 [913.61]

NOTE:
1. DIMENSIONS IN BRACKETS [XX] INDICATE METRIC DIMENSIONS.
2. SYMBOL Ⓢ INDICATES CRITICAL DIMENSION.

TITLE 5-5/8" CONTINUOUS ARTICULATING SILL WITH SUBSTRATE		ORIGINAL PER REVISION
		653/813 A
		SCALE NTS
		SHEET 3 OF 3
		DRAWN BY EVT
		SHEET SIZE B
		DATE 2/10/2021
		DRAWING
MASONITE		C2031231
<small>TOLERANCES UNLESS OTHERWISE NOTED ARE: FRACTION ± 1/32" DECIMAL ± .031" ANGLE ± 1° DRAWING DESIGN AND OTHER DISCLOSURES ARE THE PROPERTY OF MASONITE DOOR CORPORATION. UNAUTHORIZED USE, MANUFACTURE OR REPRODUCTION (IN WHOLE OR IN PART) IS PROHIBITED.</small>		

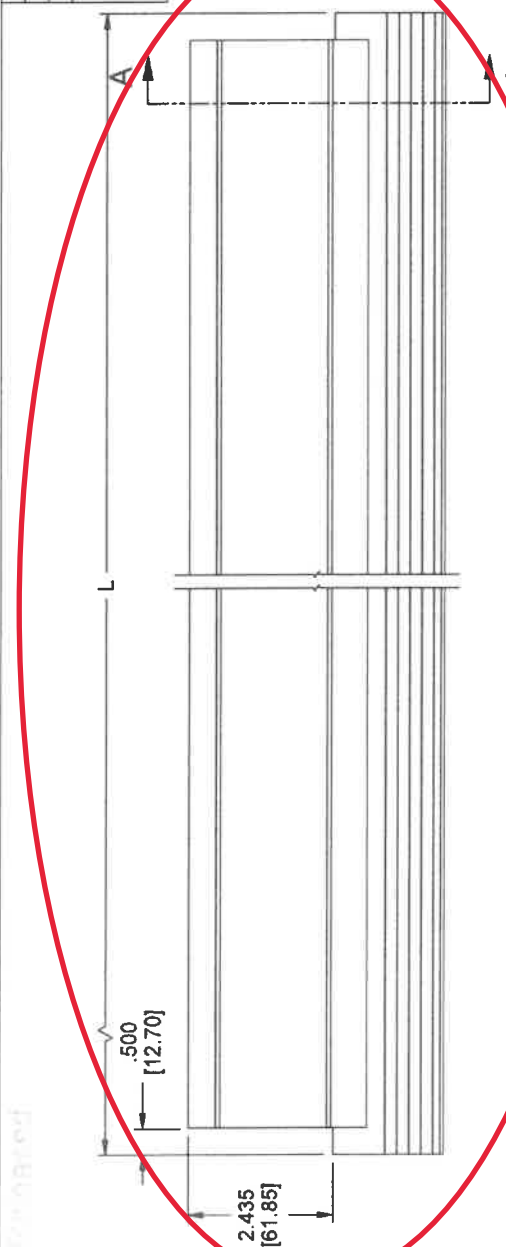
CONFIDENTIAL PROPERTY OF MASONITE PRINTED DRAWING MAY NOT BE MOST RECENT VERSION

REVISION HISTORY

REV	DESCRIPTION	PCR	DRW BY	DATE	CHK BY
A	OVERALL WIDTH DIM REVISED, SILL NAME CHANGED TO Z-SERIES	9769	EVT	03/09/18	BK
B		591	EVT	11/08/19	BK

AMERICAN TEST LAB NO. 12
 DATE 12/12/23
 REPORT NO. ATLNC 0614.01-23

Keith Owen
 ATL INSPECTOR



PART #	SIZE	DIM. L	ALUMINIUM COVER & CAP	DESCRIPTION
23161526.000	2/8	30.000 [762.00]	MILL & WOODGRAIN	2/8 X 4-9/16 Z SILL
23162526.000	2/8	30.000 [762.00]	BRONZE & WOODGR	2/8 X 4-9/16 Z SILL
23164526.000	2/8	30.000 [762.00]	MILL & BLACK	2/8 X 4-9/16 Z SILL
23161528.000	2/8	32.000 [812.80]	BRONZE & BLACK	2/8 X 4-9/16 Z SILL
23162528.000	2/8	32.000 [812.80]	MILL & WOODGRAIN	2/8 X 4-9/16 Z SILL
23164528.000	2/8	32.000 [812.80]	BRONZE & WOODGRAIN	2/8 X 4-9/16 Z SILL
23161530.000	3/0	36.000 [914.40]	MILL & BLACK	3/0 X 4-9/16 Z SILL
23162530.000	3/0	36.000 [914.40]	BRONZE & WOODGRAIN	3/0 X 4-9/16 Z SILL
23164530.000	3/0	36.000 [914.40]	MILL & BLACK	3/0 X 4-9/16 Z SILL
23161572.000	6/0	72.500 [1841.50]	BRONZE BLACK	6/0 X 4-9/16 Z SILL
23162572.000	6/0	72.500 [1841.50]	MILL & WOODGRAIN	6/0 X 4-9/16 Z SILL
23164572.000	6/0	72.500 [1841.50]	BRONZE & BLACK	6/0 X 4-9/16 Z SILL

NOTE:

- SUBSTRATE TO BE CONTINUOUS AND FASTENED IN PLACE. CAVITY SUBSTRATE WITH SOLID BLOCKS (MIN 3") ON ENDS IS ACCEPTABLE ON SILLS 36" AND SMALLER.
- BRONZE WEATHER-STRIP AND MATCHING SIDELITE PANEL SPACERS TO BE INSTALLED WHERE APPLICABLE.
- SYMBOL (C) INDICATES CRITICAL DIMENSION
- ALL DIMENSIONS IN BRACKETS [XX] INDICATE METRIC mm DIMENSIONS

TITLE: Z-SERIES OUTSWING BUMPER SILL

ORIGINAL PCN NO. 9769	REV: B
SCALE: NTS	DRAWN BY: EVT
SHEET SIZE: B	DATE: 01/23/18
DRAWING NO.: C2030805	
SHEET: 1 OF 3	



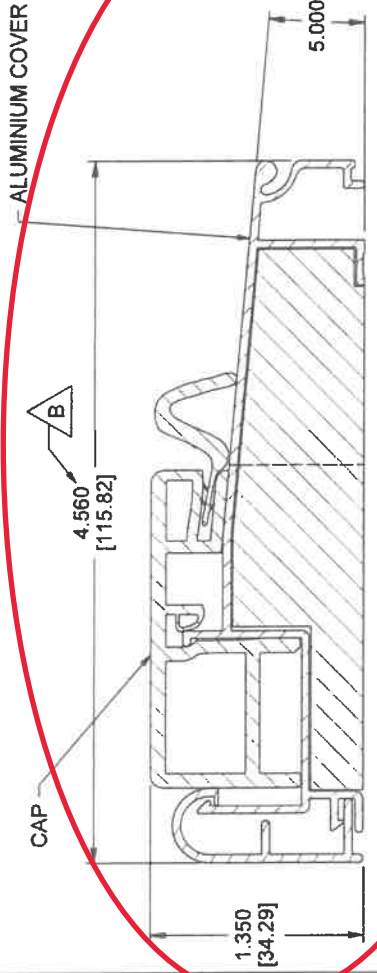
MASONITE

TOLERANCES UNLESS OTHERWISE NOTED ARE:
 FRACTION ± 1/32"
 DECIMAL ± .031"
 ANGLE ± 1°

DRAWING DESIGN AND OTHER DISCLOSURES ARE THE PROPERTY OF MASONITE DOOR CORPORATION. UNAUTHORIZED USE, MANUFACTURE OR REPRODUCTION, IN WHOLE OR IN PART, IS PROHIBITED.

CONFIDENTIAL
 PROPERTY OF MASONITE

SECTION A-A

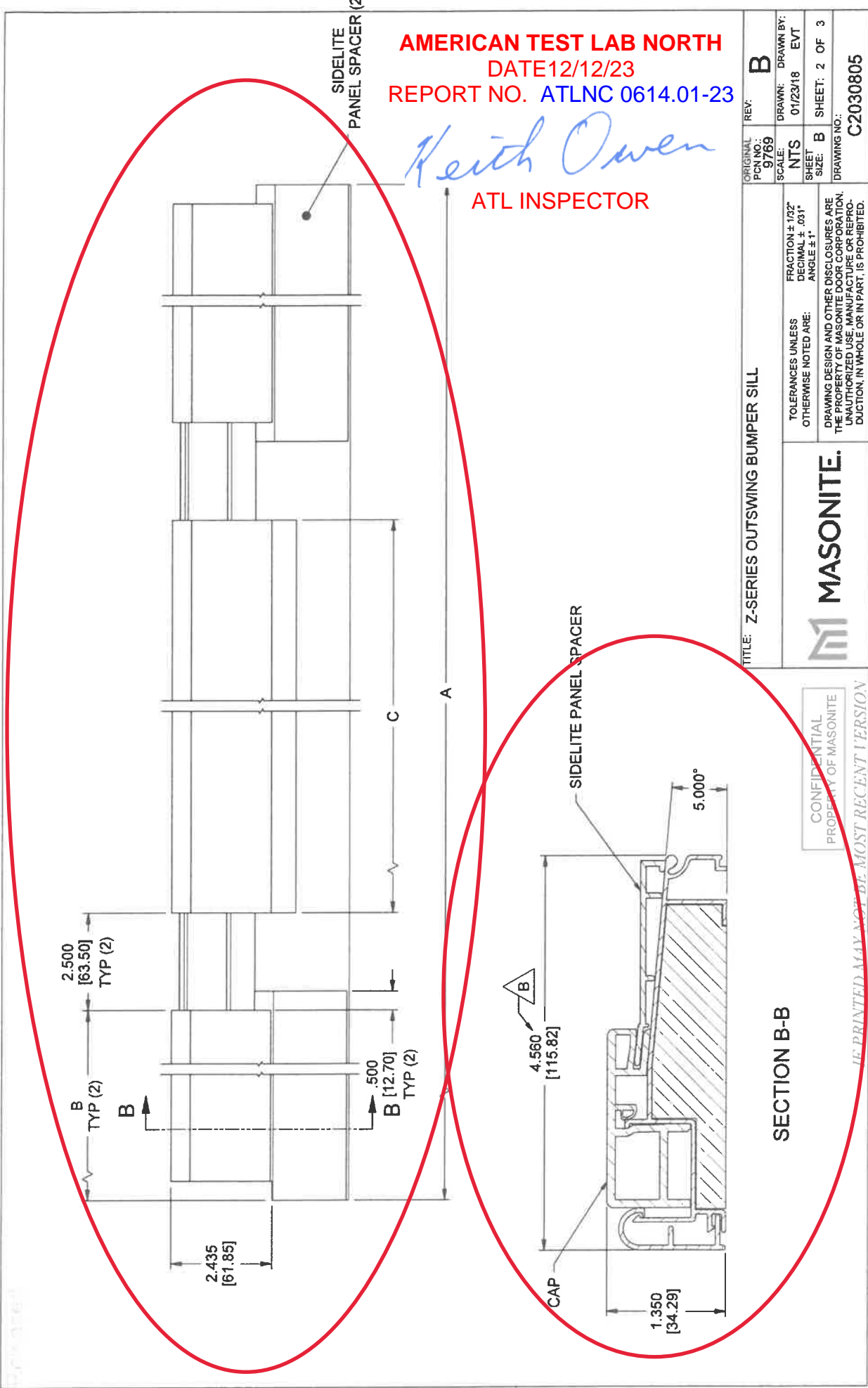


IF PRINTED MAY NOT BE MOST RECENT VERSION

AMERICAN TEST LAB NORTH
 DATE 12/12/23
 REPORT NO. ATLNC 0614.01-23

Keith Owen

ATL INSPECTOR



ORIGINAL PCN NO.: 9769	REV: B	TOLERANCES UNLESS OTHERWISE NOTED ARE: FRACTION ± 1/32" DECIMAL ± .031" ANGLE ± 1°
SCALE: NTS	DRAWN BY: EVT	DRAWING DESIGN AND OTHER DISCLOSURES ARE THE PROPERTY OF MASONITE DOOR CORPORATION. UNAUTHORIZED USE, MANUFACTURE OR REPRODUCTION, IN WHOLE OR IN PART, IS PROHIBITED.
SHEET SIZE: B	SHEET: 2 OF 3	
DRAWING NO.: C2030805		

CONFIDENTIAL
 PROPERTY OF MASONITE
 IF PRINTED MAY NOT BE MOST RECENT VERSION



TITLE: Z-SERIES OUTSWING BUMPER SILL

SECTION B-B

AMERICAN TEST LAB NORTH
 DATE 12/12/23
 REPORT NO. ATLNC 0614.01-23

Keith Owen

ATL INSPECTOR

PART #	DIM. A	DIM. B	DIM. C	ALUMINUM CAP & CAP FINISH	DESCRIPTION
231613023.00	59.000 [1498.60]	11.500 [292.10]	31.000 [787.40]	MILL & WOODGRAIN	1/0-2/8-1/0 X 4-9/16 Z SILL W/ SUB
231623023.00	59.000 [1498.60]	11.500 [292.10]	31.000 [787.40]	BRONZE & WOODGRAIN	1/0-2/8-1/0 X 4-9/16 Z SILL W/ SUB
231633023.00	59.000 [1498.60]	11.500 [292.10]	31.000 [787.40]	MILL & BLACK	1/0-2/8-1/0 X 4-9/16 Z SILL W/ SUB
231643023.00	59.000 [1498.60]	11.500 [292.10]	31.000 [787.40]	BRONZE & BLACK	1/0-2/8-1/0 X 4-9/16 Z SILL W/ SUB
231613014.00	63.000 [1600.20]	11.500 [292.10]	35.000 [889.00]	MILL & WOODGRAIN	1/0-3/0-1/0 X 4-9/16 Z SILL W/ SUB
231623014.00	63.000 [1600.20]	11.500 [292.10]	35.000 [889.00]	BRONZE & WOODGRAIN	1/0-3/0-1/0 X 4-9/16 Z SILL W/ SUB
231633014.00	63.000 [1600.20]	11.500 [292.10]	35.000 [889.00]	MILL & BLACK	1/0-3/0-1/0 X 4-9/16 Z SILL W/ SUB
231643014.00	63.000 [1600.20]	11.500 [292.10]	35.000 [889.00]	BRONZE & BLACK	1/0-3/0-1/0 X 4-9/16 Z SILL W/ SUB
231623019.00	63.000 [1600.20]	13.500 [342.90]	31.000 [787.40]	MILL & WOODGRAIN	1/2-2/8-1/2 X 4-9/16 Z SILL W/ SUB
231633019.00	63.000 [1600.20]	13.500 [342.90]	31.000 [787.40]	BRONZE & WOODGRAIN	1/2-2/8-1/2 X 4-9/16 Z SILL W/ SUB
231643019.00	63.000 [1600.20]	13.500 [342.90]	31.000 [787.40]	MILL & BLACK	1/2-2/8-1/2 X 4-9/16 Z SILL W/ SUB
231653019.00	63.000 [1600.20]	13.500 [342.90]	31.000 [787.40]	BRONZE & BLACK	1/2-2/8-1/2 X 4-9/16 Z SILL W/ SUB
231613020.00	67.000 [1701.80]	13.500 [342.90]	35.000 [889.00]	MILL & WOODGRAIN	1/2-3/0-1/2 X 4-9/16 Z SILL W/ SUB
231623020.00	67.000 [1701.80]	13.500 [342.90]	35.000 [889.00]	BRONZE & WOODGRAIN	1/2-3/0-1/2 X 4-9/16 Z SILL W/ SUB
231633020.00	67.000 [1701.80]	13.500 [342.90]	35.000 [889.00]	MILL & BLACK	1/2-3/0-1/2 X 4-9/16 Z SILL W/ SUB
231643020.00	67.000 [1701.80]	13.500 [342.90]	35.000 [889.00]	BRONZE & BLACK	1/2-3/0-1/2 X 4-9/16 Z SILL W/ SUB

TITLE: Z-SERIES OUTSWING BUMPER SILL

ORIGINAL REV: B
 PCN NO: 9769
 SCALE: NTS
 SHEET SIZE: B
 DRAWN BY: 01/23/18 EVT
 SHEET: 3 OF 3
 DRAWING NO.: C2030805



MASONITE.

TOLERANCES UNLESS OTHERWISE NOTED ARE:
 FRACTION ± 1/32"
 DECIMAL ± .031"
 ANGLE ± 1°

DRAWING DESIGN AND OTHER DISCLOSURES ARE THE PROPERTY OF MASONITE. NO REPRODUCTION, UNAUTHORIZED USE, MANUFACTURE OR REPRODUCTION, IN WHOLE OR IN PART, IS PROHIBITED.

IF PRINTED MAY NOT BE MOST RECENT VERSION

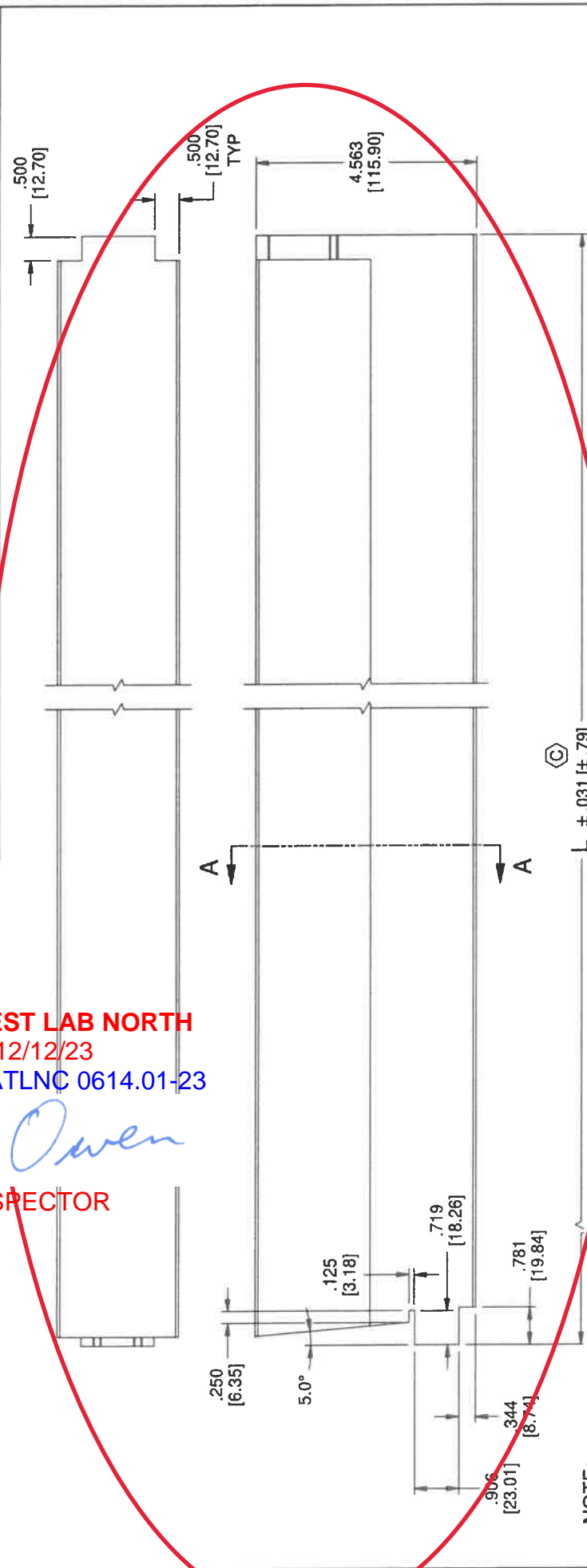
Released

AMERICAN TEST LAB NORTH
DATE 12/12/23
REPORT NO. ATLNC 0614.01-23

Keith Owen
ATL INSPECTOR

REVISION HISTORY

REV	DESCRIPTION	PCR	DRAWN BY	DATE	APPROVED
D	DIMENSION 79.612 WAS 79.532 DIMENSION 95.612 WAS 95.532 SEE SHEET 4. NOTE 6 & 7 ADDED.	591	EVT	11/08/19	BK
E	CHANGED TOLERANCE ON SHEET 4 FROM +/- .015 TO +/- .031. CHANGED SHEET TITLES, SHEET 2 MOVED TO C2031447; SHEET 3 MOVED TO C2031448.	1191	DB	07/12/2022	SM
F		1239	DB	10/04/2022	SM

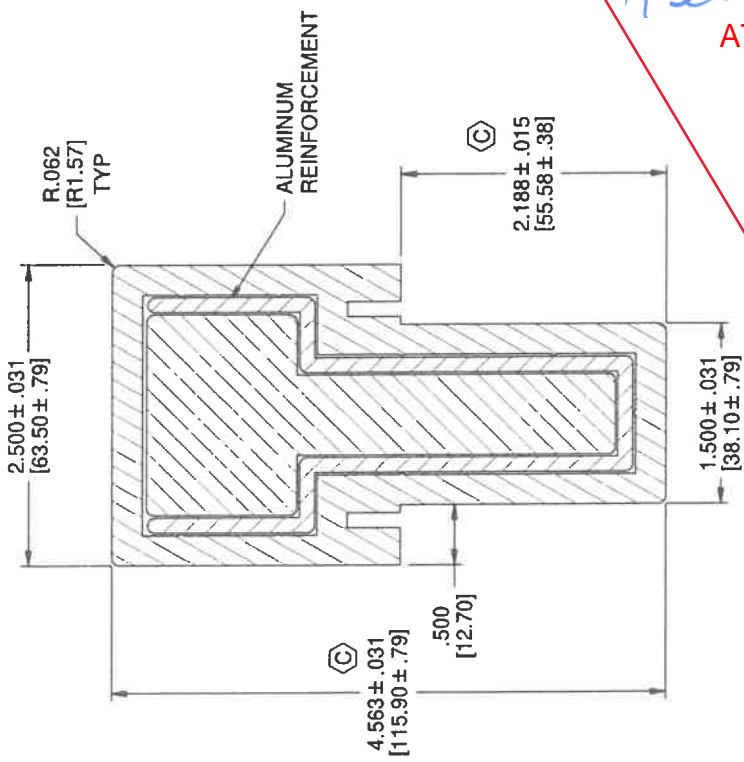


- NOTE:
1. SYMBOL \odot INDICATES CRITICAL DIMENSION
 2. DIMENSIONS IN BRACKETS [XX] INDICATE METRIC DIMENSIONS
 3. BREAK ALL SHARP EDGES .016 UNLESS OTHERWISE SPECIFIED
 4. REFER TO EMS#07567 FOR COMPLETE SPECIFICATIONS AND DIMENSIONAL TOLERANCING
 5. REFER TO EMS#072401 FOR WHITE COLOR SPECIFICATION
 6. MATERIAL: RIGID POLY-FIBER FORMULATION WITH CLOSED CELLULAR STRUCTURE (WITH ALUMINUM REINFORCEMENT AS SHOWN)
 7. TEXTURE: MULL POSTS TO BE OAK GRAIN TAN COLOR

TITLE		ORIGINAL PER REVISION	
INSWING BLANK MULLION - 2 1/2" THICK ENTRY		9405	F
TOLERANCES UNLESS OTHERWISE NOTED ARE:		SCALE	SHEET
FRACTION ± 1/32"		1 OF 2	1
DECIMAL ± .031"		DATE	JL
ANGLE ± 1°		DRAWING	B
DRAWING DESIGN AND OTHER DISCLOSURES ARE THE PROPERTY OF MASONITE DOOR CORPORATION. UNAUTHORIZED USE, MANUFACTURE OR REPRODUCTION (IN WHOLE OR IN PART) IS PROHIBITED.		DATE	5/13/2016
MASONITE		C2030321	

CONFIDENTIAL PROPERTY OF MASONITE PRINTED DRAWING MAY NOT BE MOST RECENT VERSION

Rollwood



INSWING MULLION		L
PART NUMBER	DESCRIPTION	
747444000469860010	4-9/16" x 6/8 SMOOTH PRIMED WHITE REINFORCED COMPOSITE MULL	80.344 [2040.73]
747444000469870010	4-9/16" x 8/0 SMOOTH PRIMED WHITE REINFORCED COMPOSITE MULL	96.344 [2447.13]
747544000469860010	4-9/16" x 6/8 TEXTURED REINFORCED COMPOSITE MULL	80.344 [2040.73]
747544000469870010	4-9/16" x 8/0 TEXTURED REINFORCED COMPOSITE MULL	96.344 [2447.13]

AMERICAN TEST LAB NORTH
DATE 12/12/23
REPORT NO. ATLNC 0614.01-23

Keith Owen
ATL INSPECTOR

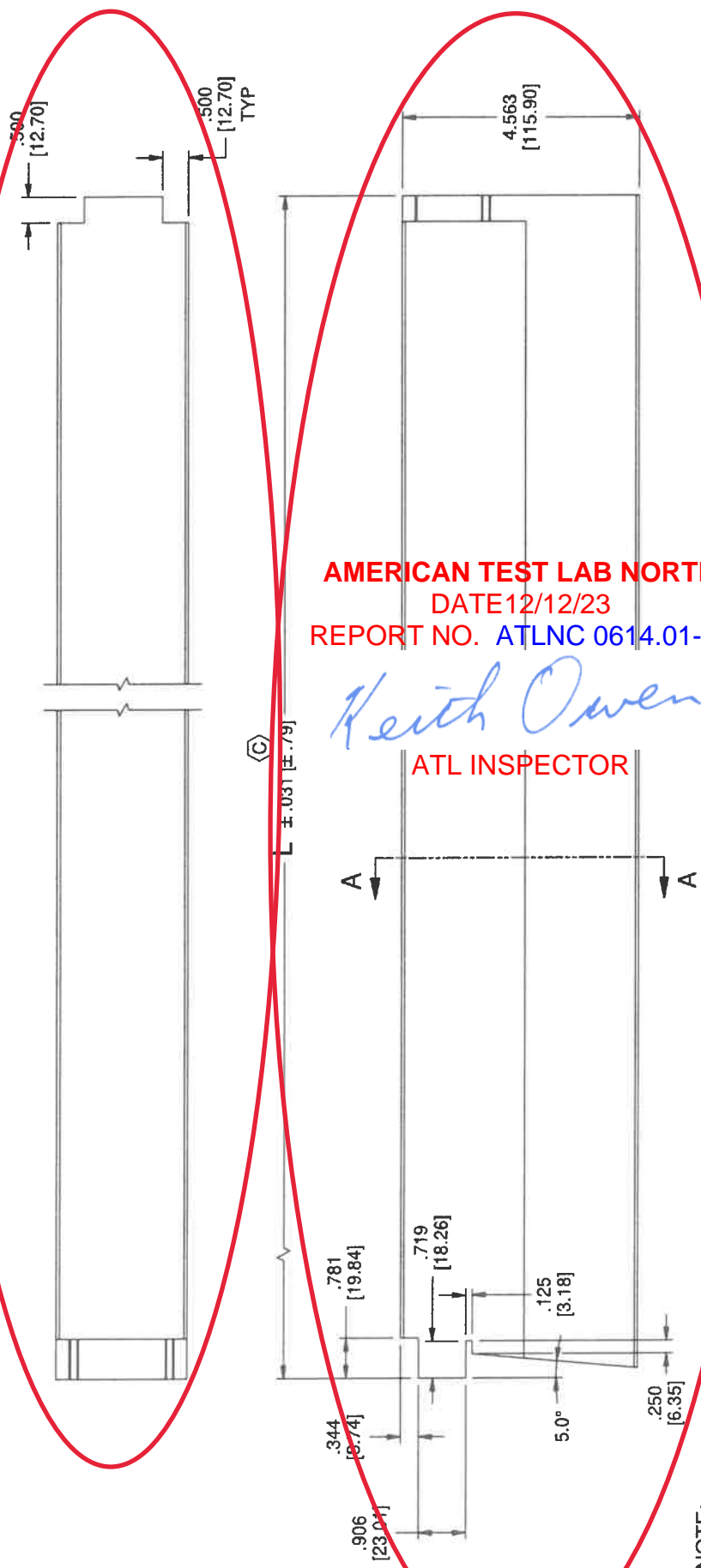
	TITLE INSWING BLANK MULLION - 2 1/2" THICK ENTRY		ORIGINAL PCB REVISION F
	TOLERANCES UNLESS OTHERWISE NOTED ARE: FRACTION ± 1/32" DECIMAL ± .031" ANGLE ± 1°		SCALE NTS
	DRAWING DESIGN AND OTHER DISCLOSURES ARE THE PROPERTY OF MASONITE DOOR CORPORATION. UNAUTHORIZED USE, MANUFACTURE OR REPRODUCTION (IN WHOLE OR IN PART) IS PROHIBITED.		SHEET 2 OF 2 DATE 5/13/2016
	DRAWING		DRAWN BY JL

CONFIDENTIAL PROPERTY OF MASONITE PRINTED DRAWING MAY NOT BE MOST RECENT VERSION

Released

REVISION HISTORY

REV	DESCRIPTION	PCR	DRAWN BY	DATE	APPROVED
A	RELEASED	1239	DB	10/04/2022	SM



AMERICAN TEST LAB NORTH
 DATE 12/12/23
 REPORT NO. ATLNC 0614.01-23

Keith Owen
 ATL INSPECTOR

- NOTE:
1. SYMBOL (C) INDICATES CRITICAL DIMENSION
 2. DIMENSIONS IN BRACKETS [XX] INDICATE METRIC DIMENSIONS
 3. BREAK ALL SHARP EDGES .016 UNLESS OTHERWISE SPECIFIED
 4. REFER TO EMS#07567 FOR COMPLETE SPECIFICATIONS AND DIMENSIONAL TOLERANCING
 5. REFER TO EMS#072401 FOR WHITE COLOR SPECIFICATION
 6. MATERIAL: RIGID POLY-FIBER FORMULATION WITH CLOSED CELLULAR STRUCTURE (WITH ALUMINUM REINFORCEMENT AS SHOWN)
 7. TEXTURE: MULL POSTS TO BE OAK GRAIN TAN COLOR

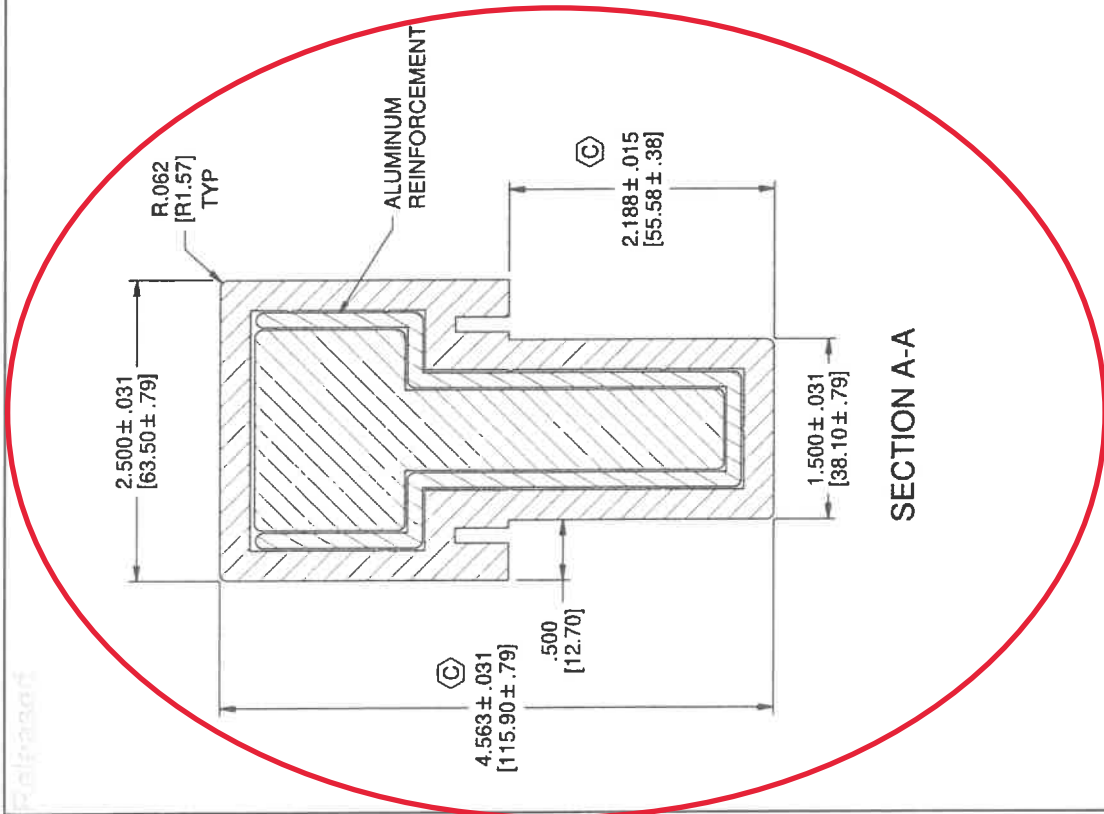
TITLE		ORIGINAL #/REVISION	
OUTSWING BLANK MULLION FOR Z-SERIES - 2 1/2" THICK ENTRY		1239	A
TOLERANCES UNLESS OTHERWISE NOTED ARE:		SCALE	SHEET
FRACTION ± 1/32" DECIMAL ± .031" ANGLE ± 1°		NTS	1 OF 2
DRAWING DESIGN AND OTHER DISCLOSURES ARE THE PROPERTY OF MASONITE DOOR CORPORATION. UNAUTHORIZED USE, MANUFACTURE OR REPRODUCTION (IN WHOLE OR IN PART) IS PROHIBITED.		SHEET SIZE	DATE
MASONITE		B	9/30/2022
DRAWING		C2031448	

CONFIDENTIAL PROPERTY OF MASONITE PRINTED DRAWING MAY NOT BE MOST RECENT VERSION

AMERICAN TEST LAB NORTH
 DATE 12/12/23
 REPORT NO. ATLNC 0614.01-23

Keith Owen
 ATL INSPECTOR

OUTSWING MULLION FOR Z-SERIES SILL		L
PART NUMBER	DESCRIPTION	
74744400046986221211	4-9/16" x 6/8 SMOOTH PRIMED WHITE REINFORCED COMPOSITE MULL OUT-SWING Z	79.612 [2022.14]
74744400046987221211	4-9/16" x 8/0 SMOOTH PRIMED WHITE REINFORCED COMPOSITE MULL OUT-SWING Z	95.612 [2428.54]
74754400046986221211	4-9/16" x 6/8 TEXTURED REINFORCED COMPOSITE MULL OUT-SWING Z	79.612 [2022.14]
74754400046987221211	4-9/16" x 8/0 TEXTURED REINFORCED COMPOSITE MULL OUT-SWING Z	95.612 [2428.54]



TITLE		ORIGINAL / R REVISION	
OUTSWING BLANK MULLION FOR Z-SERIES - 2 1/2" THICK ENTRY		1239	A
TOLERANCES UNLESS OTHERWISE NOTED ARE:		SCALE	DRAWN BY
FRACTION ± 1/32"		NTS	2 OF 2 DB
DECIMAL ± .031"		SHEET SIZE	DATE
ANGLE ± 1°		B	9/30/2022
DRAWING DESIGN AND OTHER DISCLOSURES ARE THE PROPERTY OF MASONITE DOOR CORPORATION. UNAUTHORIZED USE, MANUFACTURE OR REPRODUCTION (IN WHOLE OR IN PART) IS PROHIBITED.		DRAWING	
MASONITE		C2031448	

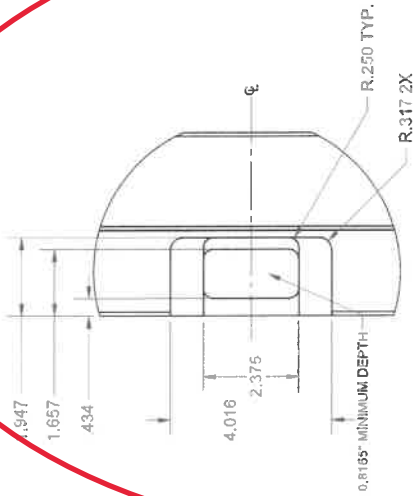
CONFIDENTIAL PROPERTY OF MASONITE PRINTED DRAWING MAY NOT BE MOST RECENT VERSION

D C B A

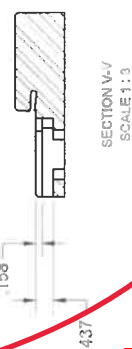


TITLE 80 MASONITE FLGLASS INSERT IS/OS SINGLE UNIT
DRAWING NUMBER 119XX.01-109-12-63.64
REV X.001
SCALE 1/4" = 1"
SHEET 7 OF 8

1 2 3 4 5 6 7 8



DETAIL H
TYP
SCALE 1:3



SECTION V-V
SCALE 1:3

INSPECTION DIMENSIONS ARE CIRCLED

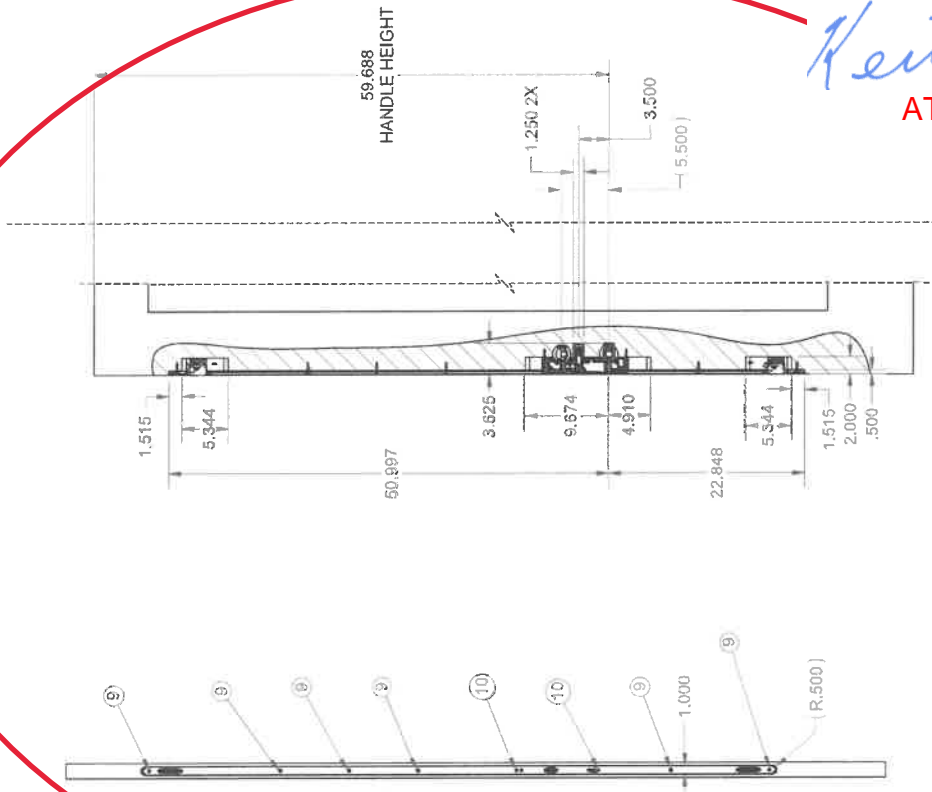
The information contained in this document is the property of the undersigned. It is to be used only for the purpose specified and is not to be distributed, copied, or otherwise used without the written consent of the undersigned. The undersigned shall not be held liable for any errors or omissions in this document. The undersigned shall not be held liable for any damages, including consequential damages, arising from the use of this document. The undersigned shall not be held liable for any claims, damages, or losses of any kind, including consequential damages, arising from the use of this document. The undersigned shall not be held liable for any claims, damages, or losses of any kind, including consequential damages, arising from the use of this document.

MODELED BY
CHECKED BY
DATE
DATE
DRAW PART NUMBER

AMERICAN TEST LAB NORTH
DATE 12/12/23
REPORT NO. ATLNC 0614.01-23

Keith Owen
ATL INSPECTOR

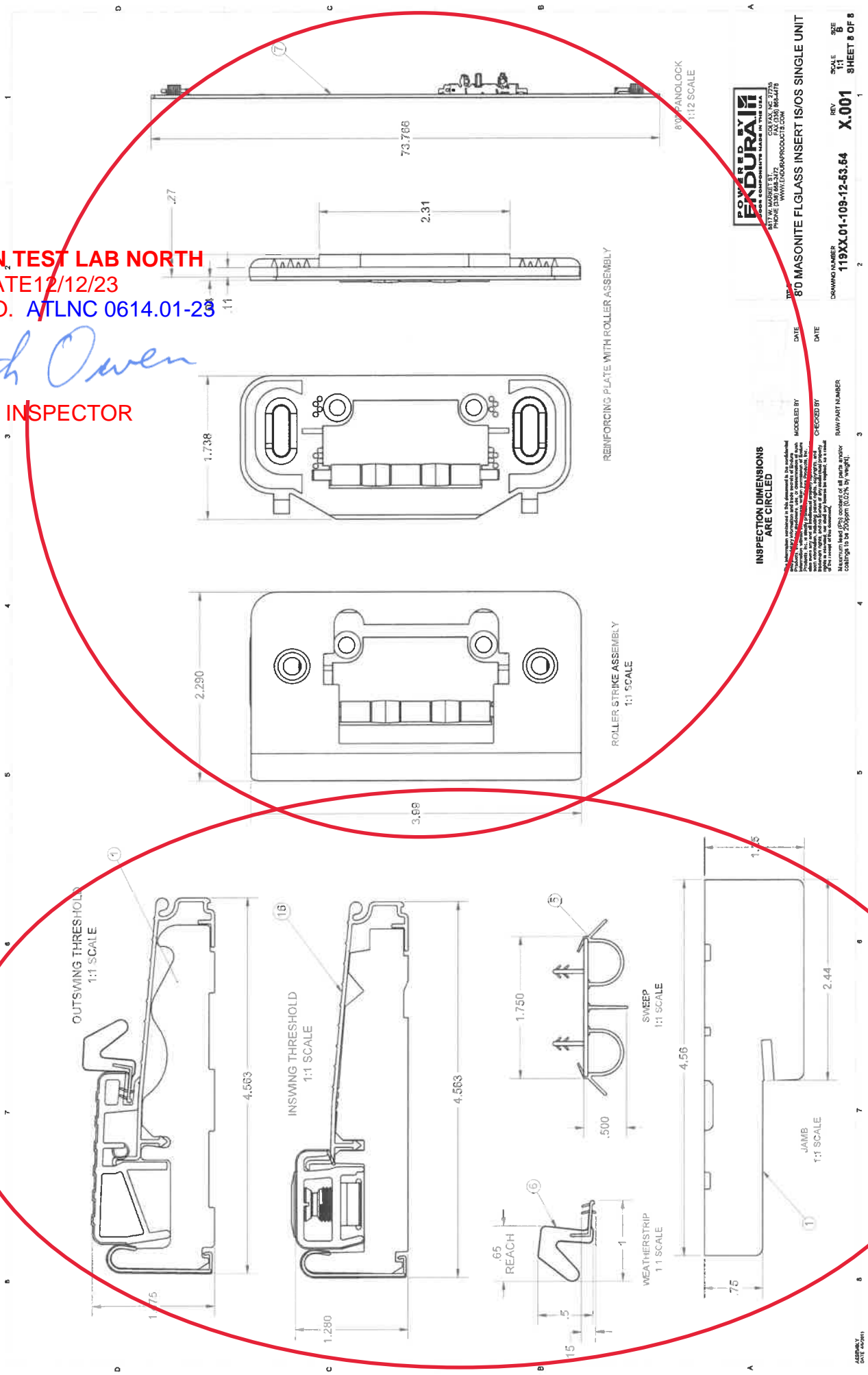
1 2 3 4 5 6 7 8



D C B A

AMERICAN TEST LAB NORTH
 DATE 12/12/23
 REPORT NO. ATLNC 0614.01-23

Keith Owen
 ATL INSPECTOR



ENDURAM
 817 W. MARKET ST. SUITE 100
 CHARLOTTE, NC 27203
 PHONE 704.376.1172
 WWW.ENDURAMPRODUCTS.COM

INSPECTION DIMENSIONS ARE CIRCLED

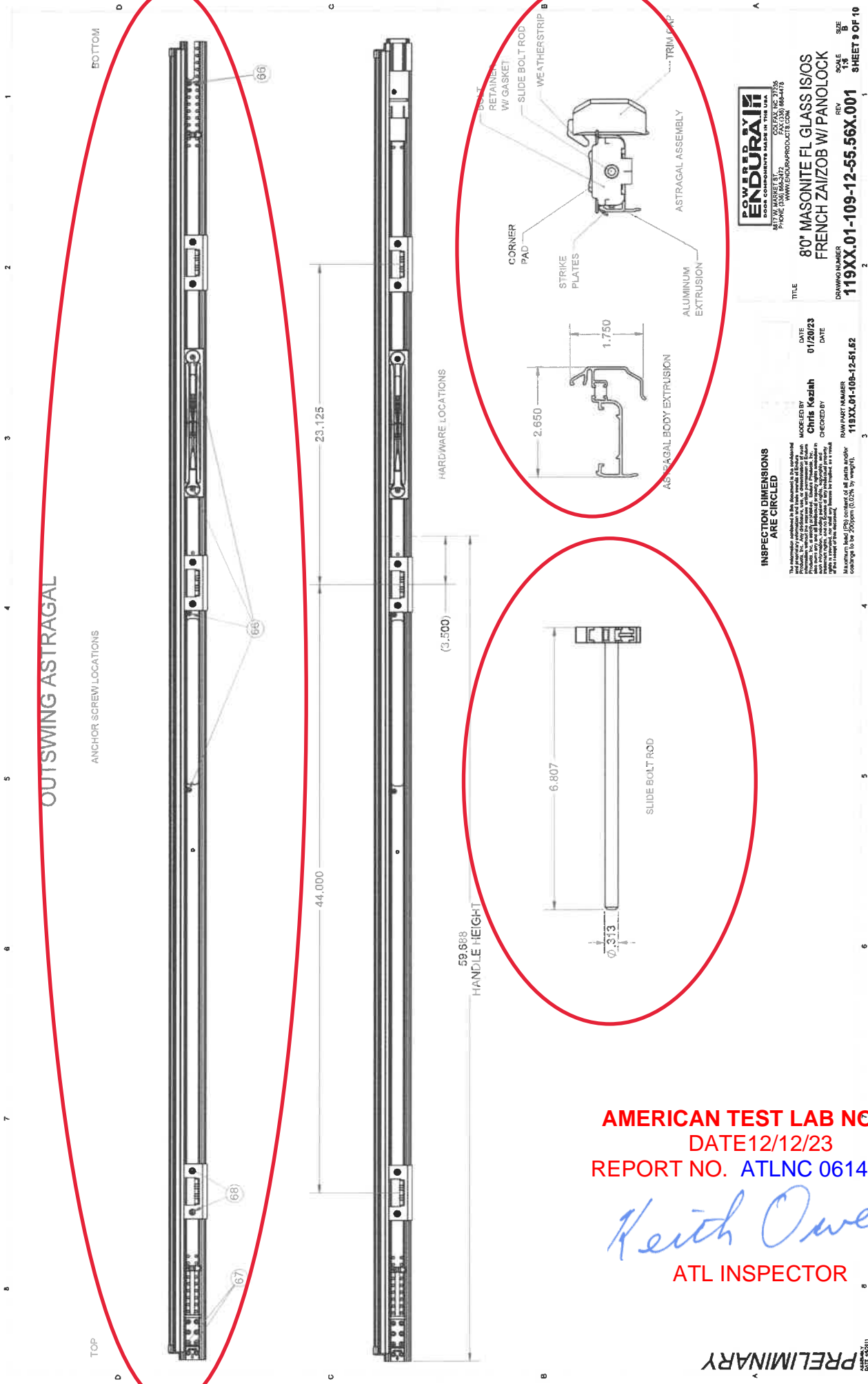
Maximum lead (PL) correction of .005 in. per linear foot shall be allowed for all lengths of 10' or greater. For lengths of 10' or greater, the maximum lead (PL) correction shall be .005 in. per linear foot. The maximum lead (PL) correction shall be .005 in. per linear foot. The maximum lead (PL) correction shall be .005 in. per linear foot. The maximum lead (PL) correction shall be .005 in. per linear foot.

DATE: _____ DATE: _____
 MODELED BY: _____ CHECKED BY: _____
 DRAWING NUMBER: **119XX.01-109-12-53.64**
 REV: **X.001**
 SCALE: 1:1
 SHEET 8 OF 8

ASSEMBLY DATE: 06/01/23

OUTSWING ASTRAGAL

ANCHOR SCREW LOCATIONS



80" MASONITE FL GLASS IS/QS
 FRENCH ZAIZOB W/ PANOLock
 DRAWING NUMBER 119XX.01-109-12-55.56X.001
 REV 13
 SCALE 1:8
 SHEET 9 OF 10

INSPECTION DIMENSIONS ARE CIRCLED

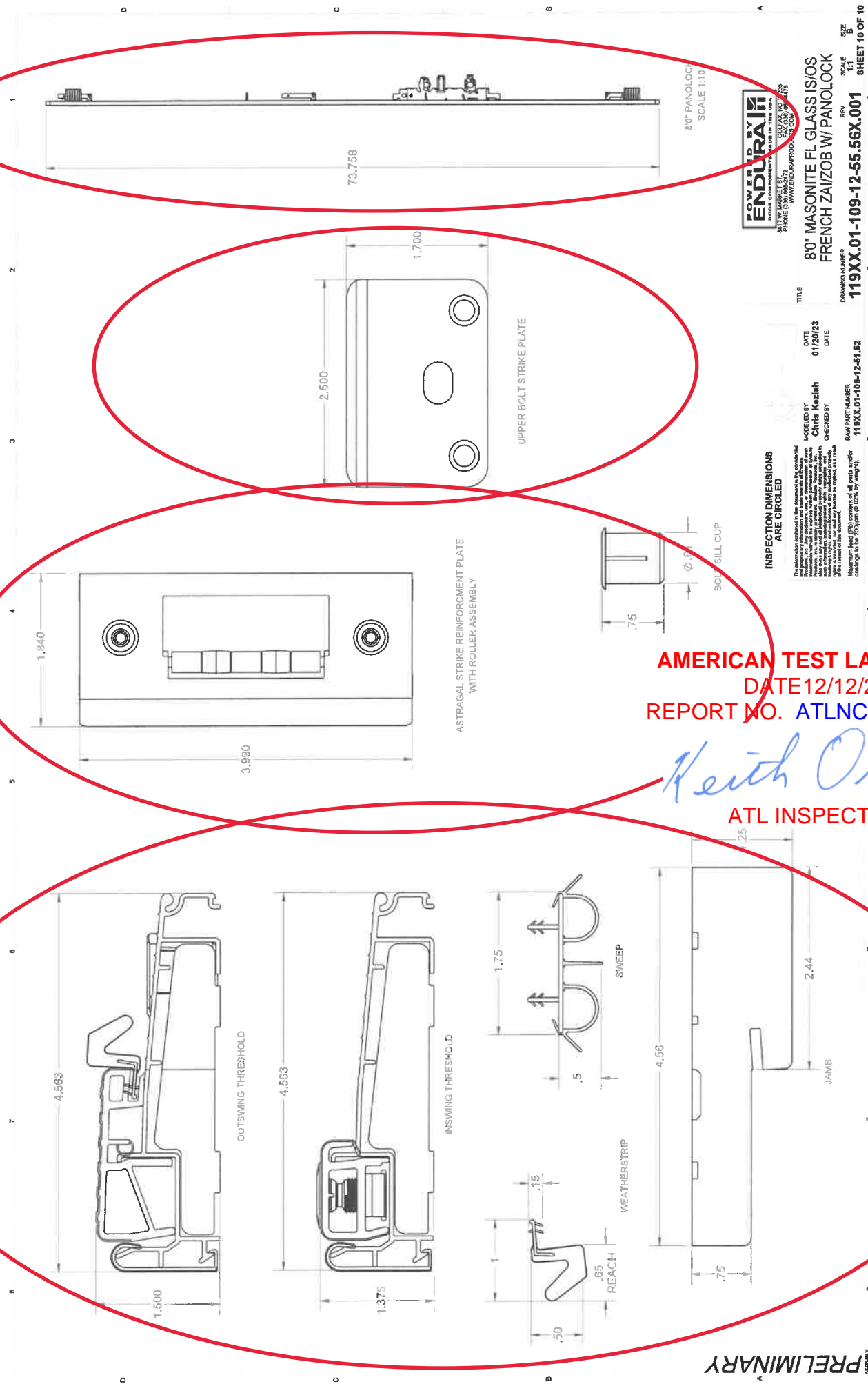
The information contained in this document is the confidential property of American Test Lab North. It is to be used only for the project and location specified. Any other use, reproduction, or distribution of this information without the written consent of American Test Lab North is strictly prohibited. American Test Lab North shall not be held responsible for any errors or omissions in this document. All dimensions are in millimeters unless otherwise specified. All dimensions are to be held to the nearest 0.1mm unless otherwise specified.

DATE 01/20/23
 MODIFIED BY Chris Kaszih
 CHECKED BY
 DRAWN BY
 RANJAY NARAYAN
 119XX.01-109-12-51.62

AMERICAN TEST LAB NORTH
 DATE 12/12/23
 REPORT NO. ATLNC 0614.01-23

Keith Owen
 ATL INSPECTOR

PRELIMINARY
 DATE 02/01/11



ENDURAM
 ENDURAM
 80\"/>

80\"/>

INSPECTION DIMENSIONS ARE CIRCLED

AMERICAN TEST LAB NORTH
 DATE 12/12/23
 REPORT NO. ATLNC 0614.01-23

Keith Owen

ATL INSPECTOR

PRELIMINARY

**FINAL ASSEMBLY DETAILS
(POST-TRIM)**

REVISION HISTORY

REV	DESCRIPTION	PCR	DRAWN BY	DATE	APPROVED
G	REMOVED DISCONTINUED PART NUMBERS	1123	DB	08/03/2022	ZS/AV
H	EDITED NOTE 3 ON SHEET 1.	695	DB	10/27/2022	AAV

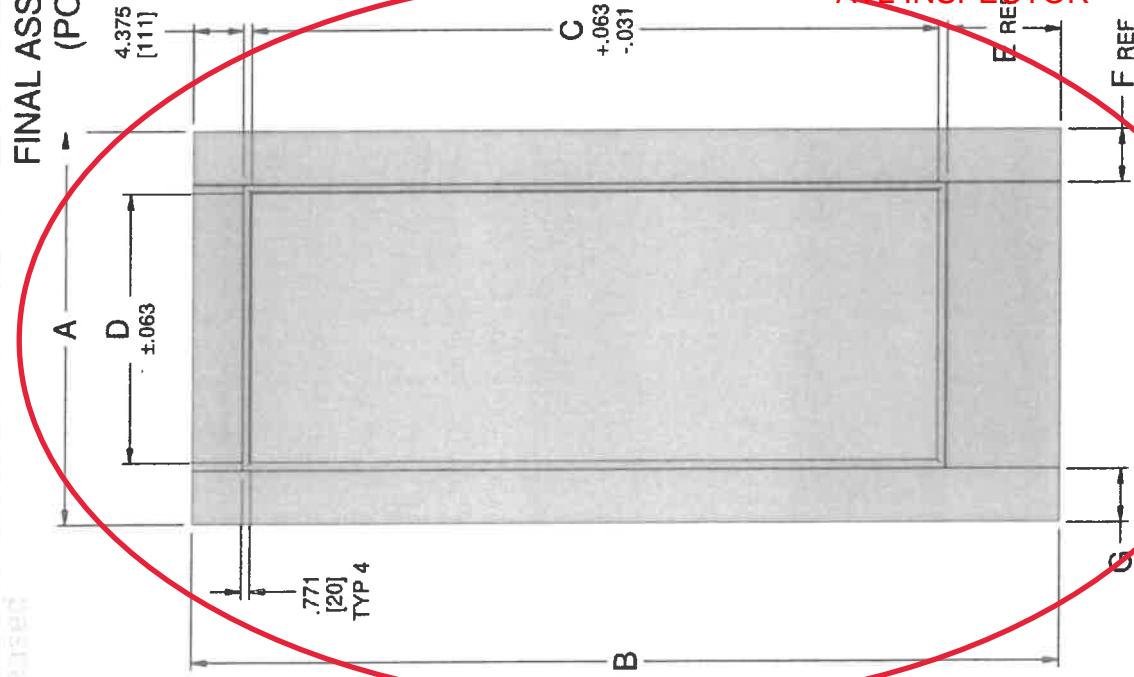


TABLE 1: MASONITE SPEC 6/8 Full Lite

Glass Width	Glass Height	Door Widths	Door Height	A	B	C	D	E (REF)	F (REF)	G
26.000	64.000	3/0	6/8	35.750	79.000	62.863	24.863	10.220	4.673	4.673
22.000	63.906	2/10	6/8	33.750	79.000	62.769	20.863	10.314	5.673	5.673
22.000	63.906	2/8	6/8	31.750	79.000	62.769	20.863	10.314	4.673	4.673
20.000	63.906	2/6	6/8	29.750	79.000	62.769	18.863	10.314	4.673	4.673
14.000	64.000	2/0	6/8	23.750	79.000	62.863	12.863	10.220	4.673	4.673

TABLE 2: MASONITE SPEC 8/0 Full Lite

Glass Width	Glass Height	Door Widths	Door Height	A	B	C	D	E (REF)	F (REF)	G
26.000	80.000	3/0	8/0	35.750	95.000	78.863	24.863	10.220	4.673	4.673
22.000	80.000	2/10	8/0	33.750	95.000	78.863	20.863	10.220	5.673	5.673
22.000	80.000	2/8	8/0	31.750	95.000	78.863	20.863	10.220	4.673	4.673
20.000	80.000	2/6	8/0	29.750	95.000	78.863	18.863	10.220	4.673	4.673
14.000	80.000	2/0	8/0	23.750	95.000	78.863	12.863	10.220	4.673	4.673

- NOTE:**
1. SHOWN AFTER TRIM - 3/0 X 6/8
 2. REFER TO EMS 72432 & 72475 FOR FIBERGLASS SLAB SPECIFICATIONS & TOLERANCES
 3. REFER TO DRAWING A1020164 FOR LAY-UP ASSEMBLY (PRE-TRIM) DETAILS AND IGU ORIENTATION REQUIREMENTS ASSOCIATED WITH PANEL ORIENTATION (EXTERIOR / INTERIOR)
 4. SEE DWG LP03-00019 FOR LOCK & HINGE PREP LOCATION PER MASONITE SPECIFICATIONS
 5. SEE DWG LP03-00008 FOR LOCK & HINGE PREP LOCATION PER PREM SPECIFICATIONS
 6. SEE DWG LP03-00029 FOR LOCK & HINGE PREP LOCATION PER PATIO SPECIFICATIONS

AMERICAN TEST LAB NORTH
DATE 12/12/23
REPORT NO. ATLNC 0614.01-23

Keith Owen
ATL INSPECTOR

MASONITE

FINAL ASSEMBLY DETAILS

VISTA GRANDE SLABS FULL LITE

ORIGINAL FOR REVISION: **H**

SCALE: **NTS**

SHEET: **1 OF 11**

DRAWN BY: **llomeo**

SHEET SIZE: **A**

DATE: **6/27/2016**

DRAWING: **B**

PROJECT: **A1020163**

TOLERANCES UNLESS OTHERWISE NOTED ARE:
FRACTION: 1/32"
DECIMAL: .031"
ANGLE: 1°

DRAWING DESIGN AND OTHER DISCLOSURES ARE THE PROPERTY OF MASONITE DOOR CORPORATION. UNAUTHORIZED USE, MANUFACTURE OR REPRODUCTION (IN WHOLE OR IN PART) IS PROHIBITED.

AMERICAN TEST LAB NORTH
 DATE 12/12/23
 REPORT NO. ATLNC 0614.01-23

Keith Owen

ATL INSPECTOR

MASONITE SPEC 7/0 Full Lite						
Glass Width	Glass Height	Door Widths	Door Height	A	B	C
26.000	68.000	3/0	7/0	35.750	83.000	66.863
						D
						E (REF)
						F (REF)
						G
						4.673

MASONITE SPEC 7/6 Full Lite						
Glass Width	Glass Height	Door Widths	Door Height	A	B	C
26.000	74.000	3/0	7/6	35.750	89.000	72.863
						D
						E (REF)
						F (REF)
						G
						4.673

PREM DOOR SPEC 7/0 Full Lite						
Glass Width	Glass Height	Door Widths	Door Height	A	B	C
26.000	68.000	3/0	7/0	35.750	83.250	66.863
						D
						E (REF)
						F (REF)
						G
						4.673

PREM DOOR SPEC 7/6 Full Lite						
Glass Width	Glass Height	Door Widths	Door Height	A	B	C
26.000	74.000	3/0	7/6	35.750	89.250	72.863
						D
						E (REF)
						F (REF)
						G
						4.673

TABLE 3: PREM DOOR SPEC 6/8 Full Lite

Glass Width	Glass Height	Door Widths	Door Height	A	B	C	D	E (REF)	F (REF)	G
26.000	64.000	3/0	6/8	35.750	79.250	62.863	24.863	10.470	4.673	4.673
22.000	63.906	2/10	6/8	33.750	79.250	62.769	20.863	10.564	5.673	5.673
22.000	63.906	2/8	6/8	31.750	79.250	62.863	20.863	10.564	4.673	4.673
20.000	63.906	2/6	6/8	29.750	79.250	62.769	18.863	10.564	4.673	4.673
14.000	64.000	2/0	6/8	33.750	79.250	62.863	12.863	10.470	4.673	4.673

TABLE 4: PREM DOOR SPEC 8/0 Full Lite

Glass Width	Glass Height	Door Widths	Door Height	A	B	C	D	E (REF)	F (REF)	G
26.000	80.000	3/0	8/0	35.750	95.250	78.863	24.863	10.470	4.673	4.673
22.000	80.000	2/10	8/0	33.750	95.250	78.863	20.863	10.470	5.673	5.673
22.000	80.000	2/8	8/0	31.750	95.250	78.863	20.863	10.470	4.673	4.673
20.000	80.000	2/6	8/0	29.750	95.250	78.863	18.863	10.470	4.673	4.673
14.000	80.000	2/0	8/0	23.750	95.250	78.863	12.863	10.470	4.673	4.673

VISTA GRANDE SLABS FULL LITE
 FINAL ASSEMBLY DETAILS



TOLERANCES UNLESS OTHERWISE NOTED ARE:
 FRACTION $\pm 1/32"$
 DECIMAL $\pm .031"$
 ANGLE $\pm 1'$

DRAWING DESIGN AND OTHER DISCLOSURES ARE THE PROPERTY OF MASONITE DOOR CORPORATION. UNAUTHORIZED USE, MANUFACTURE OR REPRODUCTION (IN WHOLE OR IN PART) IS PROHIBITED.

ORIGINAL PER REVISION	H
SCALE	1/8" = 1'-0"
SHEET	2 OF 11
DATE	6/27/2016
DRAWING	A1020163

TABLE 5: PATIO 6/8 Full Lite


Door Widths	Door Height	Glass Width	Glass Height	A	B	C	D	E (REF)	F (REF)	G
3/0	6/8	26.000	64.000	34.406	76.875	62.863	24.863	8.095	3.366	4.635
2/10	6/8	22.000	63.906	32.406	76.875	62.769	20.863	8.189	5.001	5.001
2/8	6/8	22.000	63.906	30.406	76.875	62.769	20.863	8.189	3.366	4.635
2/6	6/8	20.000	63.906	28.406	76.875	62.769	18.863	8.189	3.366	4.635
2/0	6/8	14.000	64.800	22.406	76.875	62.863	12.863	8.095	3.366	4.635

TABLE 6: PATIO 8/0 Full Lite

Door Widths	Door Height	Glass Width	Glass Height	A	B	C	D	E (REF)	F (REF)	G
3/0	8/0	26.000	80.000	34.406	92.875	78.863	24.863	8.095	3.366	4.635
2/10	8/0	22.000	80.000	32.406	92.875	78.863	20.863	8.095	5.001	5.001
2/8	8/0	22.000	80.000	30.406	92.875	78.863	20.863	8.095	3.366	4.635
2/6	8/0	20.000	80.000	28.406	92.875	78.863	18.863	8.095	3.366	4.635
2/0	8/0	14.000	80.000	22.406	92.875	78.863	12.863	8.095	3.366	4.635

AMERICAN TEST LAB NORTH
 DATE 12/12/23
 REPORT NO. ATLNC 0614.01-23

Keith Owen
 ATL INSPECTOR

TITLE: VISTA GRANDE SLABS FULL LITE FINAL ASSEMBLY DETAILS		ORIGINAL PCB REVISION: H
	TOLERANCES UNLESS OTHERWISE NOTED ARE: FRACTION ± 1/32" DECIMAL ± .031" ANGLE ± 1°	DRAWN BY: jflores
	DRAWING DESIGN AND OTHER DISCLOSURES ARE THE PROPERTY OF MASONITE DOOR CORPORATION. UNAUTHORIZED USE, MANUFACTURE OR REPRODUCTION (IN WHOLE OR IN PART) IS PROHIBITED.	SHEET: NTS SHEET SIZE: B DATE: 6/27/2016

CONFIDENTIAL PROPERTY OF MASONITE PRINTED DRAWING MAY NOT BE MOST RECENT VERSION

TRIM SPECIFICATIONS

.250 ± .030
[6.35 ± .762]



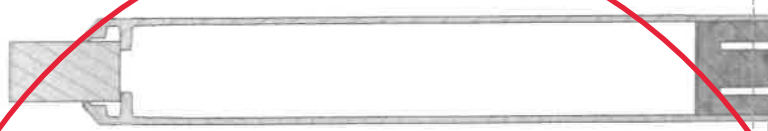
SECTION AA-AA

.250 ± .030
[6.35 ± .76]



SECTION BB-BB

A ± .030 SEE
NOTE
[± .76] SECTION



SECTION CC-CC

- NOTE:
1. FOR MASONITE SPEC: A = .313
 2. FOR PREM SPEC: A = .666
 3. TRIM DIMENSIONS TAKEN FROM THE EDGE OF STILE OR RAIL, NOT THE EDGE OF THE FACING

TITLE: VISTA GRANDE SLABS FULL LITE
FINAL ASSEMBLY DETAILS



TOLERANCES UNLESS OTHERWISE NOTED ARE:
FRACTION ± 1/32"
DECIMAL ± .031"
ANGLE ± 1°

DRAWING DESIGN AND OTHER DISCLOSURES ARE THE PROPERTY OF MASONITE DOOR CORPORATION. UNAUTHORIZED USE, MANUFACTURE OR REPRODUCTION (IN WHOLE OR IN PART) IS PROHIBITED.

ORIGINAL PCN	REVISION	H
SCALE	DRAWING	NTS
SHEET	DATE	4 OF 11
SHEET SIZE	DATE	B
DRAWING	DATE	6/27/2016
DRAWING		A1020163

AMERICAN TEST LAB NORTH
DATE 12/12/23
REPORT NO. ATLNC 0614.01-23

Keith Owen
ATL INSPECTOR

AMERICAN TEST LAB NORTH
 DATE 12/12/23
 REPORT NO. ATLNC 0614.01-23

Keith Owen

ATL INSPECTOR

TABLE 7: Masonite Spec Non-Textured White New Construction 6/8 - LVL Stile

SIZE	GLASS	PART NO.	DESCRIPTION
2/0x6/8	14x64	30275932	23-3/4" x 79" S&R Non-Text FIG1z FBGL Dr FG2015 14 x 64 Insert 4-3/8" Top White
2/6x6/8	20x64	30275832	29-3/4" x 79" S&R Non-Text FIG1z FBGL Dr FG2015 20 x 64 Insert 4-3/8" Top White
2/8x6/8	22x64	30275632	31-3/4" x 79" S&R Non-Text FIG1z FBGL Dr FG2015 22 x 64 Insert 4-3/8" Top White
2/10x6/8	22x64	30275532	33-3/4" x 79" S&R Non-Text FIG1z FBGL Dr FG2015 22 x 64 Insert 4-3/8" Top White
3/0x6/8	26x64	30275332	35-3/4" x 79" S&R Non-Text FIG1z FBGL Dr FG2015 26 x 64 Insert 4-3/8" Top White

TABLE 8: Masonite Spec Non-Textured White New Construction 8/0 - LVL Stile


SIZE	GLASS	PART NO.	DESCRIPTION
2/0x8/0	14x80	30276632	23-3/4" x 95" S&R Non-Text FIG1z FBGL Dr FG2015 14 x 80 Insert 4-3/8" Top White
2/6x8/0	20x80	30276532	29-3/4" x 95" S&R Non-Text FIG1z FBGL Dr FG2015 20 x 80 Insert 4-3/8" Top White
2/8x8/0	22x80	30276332	31-3/4" x 95" S&R Non-Text FIG1z FBGL Dr FG2015 22 x 80 Insert 4-3/8" Top White
2/10x8/0	22x80	30276232	33-3/4" x 95" S&R Non-Text FIG1z FBGL Dr FG2015 22 x 80 Insert 4-3/8" Top White
3/0x8/0	26x80	30276032	35-3/4" x 95" S&R Non-Text FIG1z FBGL Dr FG2015 26 x 80 Insert 4-3/8" Top White

TABLE 9: Masonite Spec Fir Textured Beige New Construction 6/8 - Pine Edge

SIZE	GLASS	PART NO.	DESCRIPTION
2/6x6/8	20x64	30277232	29-3/4" x 79" S&R Text FIG1z FBGL Dr FG2015 Fir 20 x 64 Insert 4-3/8" Top Beige
2/8x6/8	22x64	30277032	31-3/4" x 79" S&R Text FIG1z FBGL Dr FG2015 Fir 22 x 64 Insert 4-3/8" Top Beige
2/10x6/8	22x64	30276932	33-3/4" x 79" S&R Text FIG1z FBGL Dr FG2015 Fir 22 x 64 Insert 4-3/8" Top Beige
3/0x6/8	26x64	30276732	35-3/4" x 79" S&R Text FIG1z FBGL Dr FG2015 Fir 26 x 64 Insert 4-3/8" Top Beige

TABLE 10: Masonite Spec Fir Textured Beige New Construction 8/0 - Pine Edge

SIZE	GLASS	PART NO.	DESCRIPTION
2/6x8/0	20x80	30277932	29-3/4" x 95" S&R Text FIG1z FBGL Dr FG2015 Fir 20 x 80 Insert 4-3/8" Top Beige
2/8x8/0	22x80	30277732	31-3/4" x 95" S&R Text FIG1z FBGL Dr FG2015 Fir 22 x 80 Insert 4-3/8" Top Beige
2/10x8/0	22x80	30277632	33-3/4" x 95" S&R Text FIG1z FBGL Dr FG2015 Fir 22 x 80 Insert 4-3/8" Top Beige
3/0x8/0	26x80	30277432	35-3/4" x 95" S&R Text FIG1z FBGL Dr FG2015 Fir 26 x 80 Insert 4-3/8" Top Beige

TITLE VISTA GRANDE SLABS FULL LITE FINAL ASSEMBLY DETAILS		ORIGINAL PCB REVISION H
	TOLERANCES UNLESS OTHERWISE NOTED ARE: FRACTION ± 1/32" DECIMAL ± .031" ANGLE ± 1°	SCALE NTS
	DRAWING DESIGN AND OTHER DISCLOSURES ARE THE PROPERTY OF MASONITE DOOR CORPORATION. UNAUTHORIZED USE, MANUFACTURE OR REPRODUCTION (IN WHOLE OR IN PART) IS PROHIBITED.	SHEET 5 OF 11
		DATE 6/27/2016
		DRAWING A1020163

AMERICAN TEST LAB NORTH
 DATE 12/12/23
 REPORT NO. ATLNC 0614.01-23

Keith Owen

ATL INSPECTOR

TABLE 11: Masonite Spec Non-Textured White New Construction 6/8 - CET Edge

SIZE	GLASS	PART NO.	DESCRIPTION
2/0x6/8	14x64	30278732	23-3/4" x 79" S&R Non-Text FIG1z FBGL Dr FG2015 14 x 64 Insert 4-3/8" Top White (CS)
2/6x6/8	20x64	30278632	29-3/4" x 79" S&R Non-Text FIG1z FBGL Dr FG2015 20 x 64 Insert 4-3/8" Top White (CS)
2/8x6/8	22x64	30278432	31-3/4" x 79" S&R Non-Text FIG1z FBGL Dr FG2015 22 x 64 Insert 4-3/8" Top White (CS)
2/10x6/8	22x64	30278332	33-3/4" x 79" S&R Non-Text FIG1z FBGL Dr FG2015 22 x 64 Insert 4-3/8" Top White (CS)
3/0x6/8	26x64	30278132	35-3/4" x 79" S&R Non-Text FIG1z FBGL Dr FG2015 26 x 64 Insert 4-3/8" Top White (CS)

TABLE 12: Masonite Spec Non-Textured White New Construction 8/0 - CET Edge

SIZE	GLASS	PART NO.	DESCRIPTION
2/0x8/0	14x80	30279432	23-3/4" x 95" S&R Non-Text FIG1z FBGL Dr FG2015 14 x 80 Insert 4-3/8" Top White (CS)
2/6x8/0	20x80	30279332	29-3/4" x 95" S&R Non-Text FIG1z FBGL Dr FG2015 20 x 80 Insert 4-3/8" Top White (CS)
2/8x8/0	22x80	30279132	31-3/4" x 95" S&R Non-Text FIG1z FBGL Dr FG2015 22 x 80 Insert 4-3/8" Top White (CS)
2/10x8/0	22x80	30279032	33-3/4" x 95" S&R Non-Text FIG1z FBGL Dr FG2015 22 x 80 Insert 4-3/8" Top White (CS)
3/0x8/0	26x80	30278832	35-3/4" x 95" S&R Non-Text FIG1z FBGL Dr FG2015 26 x 80 Insert 4-3/8" Top White (CS)

TABLE 13: Masonite Spec Fir Textured Beige New Construction 6/8 - CET Edge

SIZE	GLASS	PART NO.	DESCRIPTION
2/6x6/8	20x64	30280032	29-3/4" x 79" S&R Text FIG1z FBGL Dr FG2015 Fir 20 x 64 Insert 4-3/8" Top Beige (CS)
2/8x6/8	22x64	30279832	31-3/4" x 79" S&R Text FIG1z FBGL Dr FG2015 Fir 22 x 64 Insert 4-3/8" Top Beige (CS)
2/10x6/8	22x64	30279732	33-3/4" x 79" S&R Text FIG1z FBGL Dr FG2015 Fir 22 x 64 Insert 4-3/8" Top Beige (CS)
3/0x6/8	26x64	30279532	35-3/4" x 79" S&R Text FIG1z FBGL Dr FG2015 Fir 26 x 64 Insert 4-3/8" Top Beige (CS)

TABLE 14: Masonite Spec Fir Textured Beige New Construction 8/0 - CET Edge

SIZE	GLASS	PART NO.	DESCRIPTION
2/6x8/0	20x80	30280732	29-3/4" x 95" S&R Text FIG1z FBGL Dr FG2015 Fir 20 x 80 Insert 4-3/8" Top Beige (CS)
2/8x8/0	22x80	30280532	31-3/4" x 95" S&R Text FIG1z FBGL Dr FG2015 Fir 22 x 80 Insert 4-3/8" Top Beige (CS)
2/10x8/0	22x80	30280432	33-3/4" x 95" S&R Text FIG1z FBGL Dr FG2015 Fir 22 x 80 Insert 4-3/8" Top Beige (CS)
3/0x8/0	26x80	30280232	35-3/4" x 95" S&R Text FIG1z FBGL Dr FG2015 Fir 26 x 80 Insert 4-3/8" Top Beige (CS)

TITLE: VISTA GRANDE SLABS FULL LITE FINAL ASSEMBLY DETAILS		ORIGINAL PC#	REVISION
		SCALE	NTS
		DRAWN BY	6 of 11 jlomeo
TOLERANCES UNLESS OTHERWISE NOTED ARE: FRACTION ± 1/32" DECIMAL ± .031" ANGLE ± 1°		SHEET	6
		DATE	6/27/2016
DRAWING DESIGN AND OTHER DISCLOSURES ARE THE PROPERTY OF MASONITE DOOR CORPORATION. UNAUTHORIZED USE, MANUFACTURE OR REPRODUCTION (IN WHOLE OR IN PART) IS PROHIBITED.		DRAWING	A1020163

AMERICAN TEST LAB NORTH
 DATE 12/12/23
 REPORT NO. ATLNC 0614.01-23

Keith Owen

ATL INSPECTOR

TABLE 15: Premdor Spec Non-Textured White New Construction 6/8 - Pine Edge

SIZE	GLASS	PART NO.	DESCRIPTION
2/0x6/8	14x64	30281532	23-3/4" x 79-1/4" S&R Non-Text FigLz FBGL Dr FG2015 14 x 64 Insert 4-3/8" Top White
2/6x6/8	20x64	30281492	29-3/4" x 79-1/4" S&R Non-Text FigLz FBGL Dr FG2015 20 x 64 Insert 4-3/8" Top White
2/8x6/8	22x64	30281232	31-3/4" x 79-1/4" S&R Non-Text FigLz FBGL Dr FG2015 22 x 64 Insert 4-3/8" Top White
2/10x6/8	22x64	30281132	33-3/4" x 79-1/4" S&R Non-Text FigLz FBGL Dr FG2015 22 x 64 Insert 4-3/8" Top White
3/0x6/8	26x64	30280932	35-3/4" x 79-1/4" S&R Non-Text FigLz FBGL Dr FG2015 26 x 64 Insert 4-3/8" Top White

TABLE 16: Premdor Spec Non-Textured White New Construction 8/0 - Pine Edge

SIZE	GLASS	PART NO.	DESCRIPTION
2/0x8/0	14x80	30282232	23-3/4" x 95-1/4" S&R Non-Text FigLz FBGL Dr FG2015 14 x 80 Insert 4-3/8" Top White
2/6x8/0	20x80	30282132	29-3/4" x 95-1/4" S&R Non-Text FigLz FBGL Dr FG2015 20 x 80 Insert 4-3/8" Top White
2/8x8/0	22x80	30281932	31-3/4" x 95-1/4" S&R Non-Text FigLz FBGL Dr FG2015 22 x 80 Insert 4-3/8" Top White
2/10x8/0	22x80	30281832	33-3/4" x 95-1/4" S&R Non-Text FigLz FBGL Dr FG2015 22 x 80 Insert 4-3/8" Top White
3/0x8/0	26x80	30281632	35-3/4" x 95-1/4" S&R Non-Text FigLz FBGL Dr FG2015 26 x 80 Insert 4-3/8" Top White

TABLE 17: Premdor Spec Fir Textured Beige New Construction 6/8 - Pine Edge

SIZE	GLASS	PART NO.	DESCRIPTION
2/6x6/8	20x64	30282832	29-3/4" x 79-1/4" S&R Text FigLz FBGL Dr FG2015 Fir 20 x 64 Insert 4-3/8" Top Beige
2/8x6/8	22x64	30282632	31-3/4" x 79-1/4" S&R Text FigLz FBGL Dr FG2015 Fir 22 x 64 Insert 4-3/8" Top Beige
2/10x6/8	22x64	30282532	33-3/4" x 79-1/4" S&R Text FigLz FBGL Dr FG2015 Fir 22 x 64 Insert 4-3/8" Top Beige
3/0x6/8	26x64	30282332	35-3/4" x 79-1/4" S&R Text FigLz FBGL Dr FG2015 Fir 26 x 64 Insert 4-3/8" Top Beige

TABLE 18: Premdor Spec Fir Textured Beige New Construction 8/0 - Pine Edge

SIZE	GLASS	PART NO.	DESCRIPTION
2/6x8/0	20x80	30283532	29-3/4" x 95-1/4" S&R Text FigLz FBGL Dr FG2015 Fir 20 x 80 Insert 4-3/8" Top Beige
2/8x8/0	22x80	30283332	31-3/4" x 95-1/4" S&R Text FigLz FBGL Dr FG2015 Fir 22 x 80 Insert 4-3/8" Top Beige
2/10x8/0	22x80	30283232	33-3/4" x 95-1/4" S&R Text FigLz FBGL Dr FG2015 Fir 22 x 80 Insert 4-3/8" Top Beige
3/0x8/0	26x80	30283032	35-3/4" x 95-1/4" S&R Text FigLz FBGL Dr FG2015 Fir 26 x 80 Insert 4-3/8" Top Beige

TITLE		VISTA GRANDE SLABS FULL LITE FINAL ASSEMBLY DETAILS	
ORIGINAL REVISION	H	SCALE	NTS
SHEET	7 OF 11	DRAWN BY	jlomeo
SHEET SIZE	B	DATE	6/27/2016
DRAWING			A1020163

MASONITE

TOLERANCES UNLESS OTHERWISE NOTED ARE:
 FRACTION ± 1/32"
 DECIMAL ± .031"
 ANGLE ± 1°

DRAWING DESIGN AND OTHER DISCLOSURES ARE THE PROPERTY OF MASONITE DOOR CORPORATION. UNAUTHORIZED USE, MANUFACTURE OR REPRODUCTION (IN WHOLE OR IN PART) IS PROHIBITED.

Keith Owen

ATL INSPECTOR

TABLE 19: Premdor Spec Non-Textured White New Construction 6/8 - CET Edge

SIZE	GLASS	PART NO.	DESCRIPTION
2/0x6/8	14x64	30284332	29-3/4" x 79-1/4" S&R Non-Text FIGLz FBGL Dr FG2015 14 x 64 Insert 4-3/8" Top White (CS)
2/6x6/8	20x64	30284232	29-3/4" x 79-1/4" S&R Non-Text FIGLz FBGL Dr FG2015 20 x 64 Insert 4-3/8" Top White (CS)
2/8x6/8	22x64	30284032	31-3/4" x 79-1/4" S&R Non-Text FIGLz FBGL Dr FG2015 22 x 64 Insert 4-3/8" Top White (CS)
2/10x6/8	22x64	30283932	33-3/4" x 79-1/4" S&R Non-Text FIGLz FBGL Dr FG2015 22 x 80 Insert 4-3/8" Top White (CS)
3/0x6/8	26x64	30283732	35-3/4" x 79-1/4" S&R Non-Text FIGLz FBGL Dr FG2015 26 x 64 Insert 4-3/8" Top White (CS)

TABLE 20: Premdor Spec Non-Textured White New Construction 8/0 - CET Edge

SIZE	GLASS	PART NO.	DESCRIPTION
2/0x8/0	14x80	30285032	29-3/4" x 95-1/4" S&R Non-Text FIGLz FBGL Dr FG2015 14 x 80 Insert 4-3/8" Top White (CS)
2/6x8/0	20x80	30284932	29-3/4" x 95-1/4" S&R Non-Text FIGLz FBGL Dr FG2015 20 x 80 Insert 4-3/8" Top White (CS)
2/8x8/0	22x80	30284732	31-3/4" x 95-1/4" S&R Non-Text FIGLz FBGL Dr FG2015 22 x 80 Insert 4-3/8" Top White (CS)
2/10x8/0	22x80	30284632	33-3/4" x 95-1/4" S&R Non-Text FIGLz FBGL Dr FG2015 22 x 80 Insert 4-3/8" Top White (CS)
3/0x8/0	26x80	30284432	35-3/4" x 95-1/4" S&R Non-Text FIGLz FBGL Dr FG2015 26 x 80 Insert 4-3/8" Top White (CS)

TABLE 21: Premdor Spec Fir Textured Beige New Construction 6/8 - CET Edge

SIZE	GLASS	PART NO.	DESCRIPTION
2/6x6/8	20x64	30285632	29-3/4" x 79-1/4" S&R Text FIGLz FBGL Dr FG2015 Fir 20 x 64 Insert 4-3/8" Top Beige (CS)
2/8x6/8	22x64	30285432	31-3/4" x 79-1/4" S&R Text FIGLz FBGL Dr FG2015 Fir 22 x 64 Insert 4-3/8" Top Beige (CS)
2/10x6/8	22x64	30285332	33-3/4" x 79-1/4" S&R Text FIGLz FBGL Dr FG2015 Fir 22 x 64 Insert 4-3/8" Top Beige (CS)
3/0x6/8	26x64	30285132	35-3/4" x 79-1/4" S&R Text FIGLz FBGL Dr FG2015 Fir 26 x 64 Insert 4-3/8" Top Beige (CS)

TABLE 22: Premdor Spec Fir Textured Beige New Construction 8/0 - CET Edge

SIZE	GLASS	PART NO.	DESCRIPTION
2/6x8/0	20x80	30286332	29-3/4" x 95-1/4" S&R Text FIGLz FBGL Dr FG2015 Fir 20 x 80 Insert 4-3/8" Top Beige (CS)
2/8x8/0	22x80	30286132	31-3/4" x 95-1/4" S&R Text FIGLz FBGL Dr FG2015 Fir 22 x 80 Insert 4-3/8" Top Beige (CS)
2/10x8/0	22x80	30286032	33-3/4" x 95-1/4" S&R Text FIGLz FBGL Dr FG2015 Fir 22 x 80 Insert 4-3/8" Top Beige (CS)
3/0x8/0	26x80	30285832	35-3/4" x 95-1/4" S&R Text FIGLz FBGL Dr FG2015 Fir 26 x 80 Insert 4-3/8" Top Beige (CS)

VISTA GRANDE SLABS FULL LITE
 FINAL ASSEMBLY DETAILS



TOLERANCES UNLESS OTHERWISE NOTED ARE:
 FRACTION ± 1/32"
 DECIMAL ± .031"
 ANGLE ± 1°

DRAWING DESIGN AND OTHER DISCLOSURES ARE THE PROPERTY OF MASONITE DOOR CORPORATION. UNAUTHORIZED USE, MANUFACTURE OR REPRODUCTION (IN WHOLE OR IN PART) IS PROHIBITED.

ORIGINAL (R) REVISION	H
SCALE	AS SHOWN BY
SHEET	8 OF 11
NTS	DATE
SHEET SIZE	6/27/2016
DRAWING	B
	A1020163

AMERICAN TEST LAB NORTH
 DATE 12/12/23
 REPORT NO. ATLNC 0614.01-23

Keith Owen

ATL INSPECTOR

TABLE 23: Non-Textured White Patio Spec 6/8 - Pine Edge

SIZE	GLASS	PART NO.	DESCRIPTION
2/0x6/8	14x64	30287332	22-13/32" x 76-7/8" S&R Non-Text Figlz FBGL Dr FG2015 14 x 64 Insert 4-5/8" Top Offset White
2/6x6/8	20x64	30287432	28-13/32" x 76-7/8" S&R Non-Text Figlz FBGL Dr FG2015 20 x 64 Insert 4-5/8" Top Offset White
2/8x6/8	22x64	30287532	30-13/32" x 76-7/8" S&R Non-Text Figlz FBGL Dr FG2015 22 x 64 Insert 4-5/8" Top Offset White
2/10x6/8	22x64	30304332	32-13/32" x 76-7/8" S&R Non-Text Figlz FBGL Dr FG2015 22 x 64 Insert 4-5/8" Top White
3/0x6/8	26X64	30287732	34-13/32" x 76-7/8" S&R Non-Text Figlz FBGL Dr FG2015 26 x 64 Insert 4-5/8" Top Offset White

TABLE 24: Non-Textured White Patio Spec 8/0 - Pine Edge

SIZE	GLASS	PART NO.	DESCRIPTION
2/0x8/0	14x80	30287832	22-13/32" x 92-7/8" S&R Non-Text Figlz FBGL Dr FG2015 14 x 80 Insert 4-5/8" Top Offset White
2/6x8/0	20x80	30287932	28-13/32" x 92-7/8" S&R Non-Text Figlz FBGL Dr FG2015 20 x 80 Insert 4-5/8" Top Offset White
2/8x8/0	22x80	30288032	30-13/32" x 92-7/8" S&R Non-Text Figlz FBGL Dr FG2015 22 x 80 Insert 4-5/8" Top Offset White
2/10x8/0	22x80	30304532	32-13/32" x 92-7/8" S&R Non-Text Figlz FBGL Dr FG2015 22 x 80 Insert 4-5/8" Top White
3/0x8/0	26X80	30288132	34-13/32" x 92-7/8" S&R Non-Text Figlz FBGL Dr FG2015 26 x 80 Insert 4-5/8" Top Offset White

TABLE 25: Fir Textured Beige Patio Spec 6/8 - Pine Edge

SIZE	GLASS	PART NO.	DESCRIPTION
2/6x6/8	20x64	30288332	28-13/32" x 76-7/8" S&R Text Figlz FBGL Dr FG2015 Fir 20 x 64 Insert 4-5/8" Top Offset Beige
2/8x6/8	22x64	30288432	30-13/32" x 76-7/8" S&R Text Figlz FBGL Dr FG2015 Fir 22 x 64 Insert 4-5/8" Top Offset Beige
2/10x6/8	22x64	30304832	32-13/32" x 76-7/8" S&R Text Figlz FBGL Dr FG2015 Fir 22 x 64 Insert 4-5/8" Top Beige
3/0x6/8	26X64	30288632	34-13/32" x 76-7/8" S&R Text Figlz FBGL Dr FG2015 Fir 26 x 64 Insert 4-5/8" Top Offset Beige

TABLE 26: Fir Textured Beige Patio Spec 8/0 - Pine Edge

SIZE	GLASS	PART NO.	DESCRIPTION
2/6x8/0	20x80	30288832	28-13/32" x 92-7/8" S&R Text Figlz FBGL Dr FG2015 Fir 20 x 80 Insert 4-5/8" Top Offset Beige
2/8x8/0	22x80	30288932	30-13/32" x 92-7/8" S&R Text Figlz FBGL Dr FG2015 Fir 22 x 80 Insert 4-5/8" Top Offset Beige
2/10x8/0	22x80	30305032	32-13/32" x 92-7/8" S&R Text Figlz FBGL Dr FG2015 Fir 22 x 80 Insert 4-5/8" Top Beige
3/0x8/0	26X80	30289032	34-13/32" x 92-7/8" S&R Text Figlz FBGL Dr FG2015 Fir 26 x 80 Insert 4-5/8" Top Offset Beige

TITLE		VISTA GRANDE SLABS FULL LITE FINAL ASSEMBLY DETAILS	
ORIGINAL PER REVISION	SCALE	FRACTION & 1/32" DECIMAL & .031" ANGLE ± 1°	TOLERANCES UNLESS OTHERWISE NOTED ARE:
H	NTS	9 OF 11	DRAWING DESIGN AND OTHER DISCLOSURES ARE THE PROPERTY OF MASONITE DOOR CORPORATION. UNAUTHORIZED USE, MANUFACTURE OR REPRODUCTION (IN WHOLE OR IN PART) IS PROHIBITED.
SHEET	DRAWN BY	DATE	
9 OF 11	Hlomeo	6/27/2016	
DRAWING			A1020163



AMERICAN TEST LAB NORTH
 DATE 12/12/23
 REPORT NO. ATLNC 0614.01-23

Keith Owen
ATL INSPECTOR

TABLE 27: 7/0 & 7/6 MASONITE SPEC

SIZE	GLASS	PART NO.	DESCRIPTION
3/0 X 7/0	26 X 68	30344032	35-3/4" x 83" S&R Non-Text FIGiz FBGL Dr VistaGrande 26 x 68 Insert 4-3/8" Top White
3/0 X 7/6	26 X 74	30344132	35-3/4" x 89" S&R Non-Text FIGiz FBGL Dr VistaGrande 26 x 74 Insert 4-3/8" Top White
3/0 X 7/0	26 X 68	30344032	35-3/4" x 83" S&R Non-Text FIGiz FBGL Dr VistaGrande 26 x 68 Insert 4-3/8" Top White (CS)
3/0 X 7/6	26 X 74	30344132	35-3/4" x 89" S&R Non-Text FIGiz FBGL Dr VistaGrande 26 x 74 Insert 4-3/8" Top White (CS)

TABLE 27: 7/0 & 7/6 PREM SPEC

SIZE	GLASS	PART NO.	DESCRIPTION
3/0 X 7/0	26 X 68	30344832	35-3/4" x 83-1/4" S&R Non-Text FIGiz FBGL Dr VistaGrande 26 x 68 Insert 4-3/8" Top White
3/0 X 7/6	26 X 74	30344932	35-3/4" x 89-1/4" S&R Non-Text FIGiz FBGL Dr VistaGrande 26 x 74 Insert 4-3/8" Top White
3/0 X 7/0	26 X 68	30345032	35-3/4" x 83-1/4" S&R Non-Text FIGiz FBGL Dr VistaGrande 26 x 68 Insert 4-3/8" Top White (CS)
3/0 X 7/6	26 X 74	30345132	35-3/4" x 89-1/4" S&R Non-Text FIGiz FBGL Dr VistaGrande 26 x 74 Insert 4-3/8" Top White (CS)

TITLE VISTA GRANDE SLABS FULL LITE
 FINAL ASSEMBLY DETAILS



MASONITE

TOLERANCES UNLESS OTHERWISE NOTED ARE:
 FRACTION ± 1/32"
 DECIMAL ± .031"
 ANGLE ± 1°

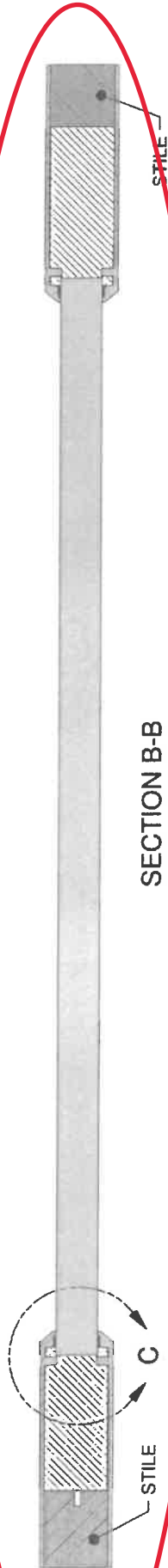
DRAWING DESIGN AND OTHER DISCLOSURES ARE THE PROPERTY OF MASONITE DOOR CORPORATION. UNAUTHORIZED USE, MANUFACTURE OR REPRODUCTION (IN WHOLE OR IN PART) IS PROHIBITED.

ORIGINAL (P/REV) / VERSION	H
SCALE	10 OF 11
SHEET	10
DRAWN BY	lomeo
NTS	DATE
SHEET SIZE	6/27/2016
B	DRAWING
A1020163	

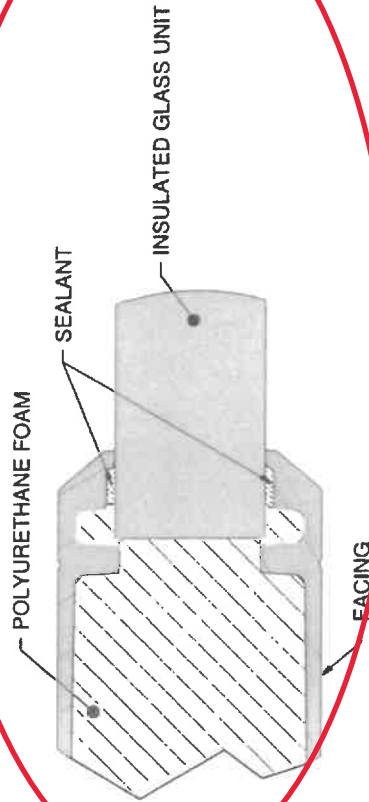
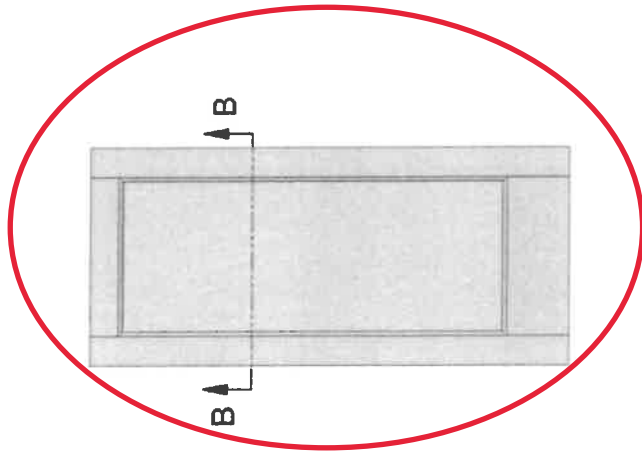
AMERICAN TEST LAB NORTH
 DATE 12/12/23
 REPORT NO. ATLNC 0614.01-23

Keith Owen

ATL INSPECTOR



SECTION B-B



DETAIL C

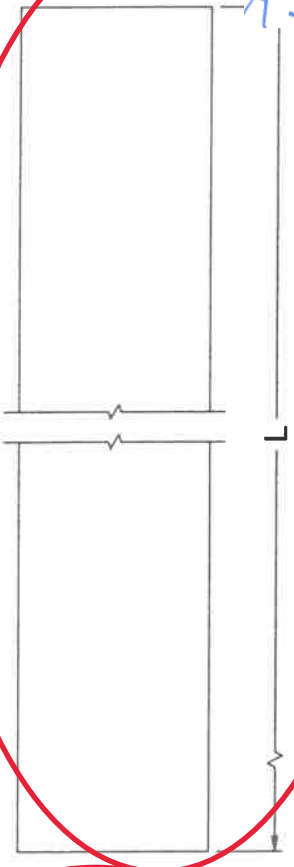
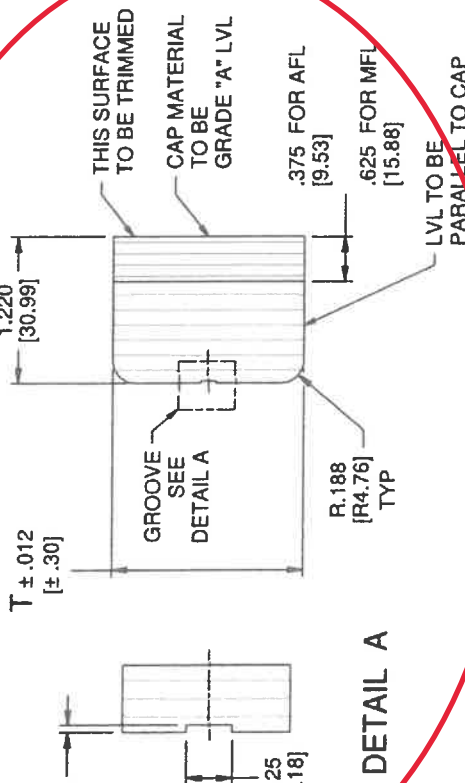
ORIGINAL PCB REVISION		H	
SCALE	SHEET	DRAWN BY	
NTS	11 of 11	ioimeo	
SHEET SIZE	DATE		
B	6/27/2016		
DRAWING			A1020163
TOLERANCES UNLESS OTHERWISE NOTED ARE: FRACTION ± 1/32" DECIMAL ± .031" ANGLE ± 1°			
DRAWING DESIGN AND OTHER DISCLOSURES ARE THE PROPERTY OF MASONITE DOOR CORPORATION. UNAUTHORIZED USE, MANUFACTURE OR REPRODUCTION (IN WHOLE OR IN PART) IS PROHIBITED.			
TITLE VISTA GRANDE SLABS FULL LITE FINAL ASSEMBLY DETAILS			

CONFIDENTIAL PROPERTY OF MASONITE PRINTED DRAWING MAY NOT BE MOST RECENT VERSION

Keith Owen
 ATL INSPECTOR

REVISION HISTORY

REV	DESCRIPTION	PCR	DRAWN BY	DATE	APPROVED
E	(10) PART NUMBERS ADDED.	718	LBH	9/30/20	AAV
F	ADDED NOTE 8	940	DB	05/19/2022	AAV



- NOTE:**
- SEE: EMS 306392 FOR WOOD INSPECTION STANDARDS
 - MATERIAL IS FINGER JOINTED OR LAP LVL OR EQUIVALENT
 - PARTS ARE UNPAINTED & WITH NO PRESERVATIVE FINISH
 - GRADE "A" LVL TO MEET "GRADED SURFACE X EXTERIOR"
 - SYMBOL (C) INDICATES CRITICAL DIMENSION
 - DIMENSIONS IN BRACKETS [XX] INDICATE METRIC mm DIMENSIONS
 - MILL OPTION TO USE ONE LAYER OF RADIATA PINE VENEER ON FRONT AND BACK.
 - ONE END OF THE THICK COMPONENTS (1.593" THICK) TO BE IDENTIFIED WITH YELLOW COLOR

PART NUMBER	DESCRIPTION	T	L	TYPE
582202150628.3750	28.375" FJ PN RAIL TOP	1.573 [39.95]	28.375 [720.73]	AFL
582202150628.5940	28.594" FJ PN RAIL TOP	1.573 [39.95]	28.594 [726.29]	MFL
582202150630.3750	30.375" FJ PN RAIL TOP	1.573 [39.95]	30.375 [771.53]	AFL
582202150630.5940	30.594" FJ PN RAIL TOP	1.573 [39.95]	30.594 [777.09]	MFL
582202150632.3750	32.375" FJ PN RAIL TOP	1.573 [39.95]	32.375 [822.33]	AFL
582202150632.5940	32.594" FJ PN RAIL TOP	1.573 [39.95]	32.594 [827.89]	MFL
582202150633.0310	33.031" FJ PN RAIL TOP	1.573 [39.95]	33.031 [838.99]	AFL
582202150634.3750	34.375" FJ PN RAIL TOP	1.573 [39.95]	34.375 [873.13]	AFL
582202150634.5940	34.594" FJ PN RAIL TOP	1.573 [39.95]	34.594 [878.69]	MFL
582202150728.3750	28.375" (GEN) FJ PN RAIL TOP	1.593 [40.46]	28.375 [720.73]	AFL
582202150728.5940	28.594" (GEN) FJ PN RAIL TOP	1.593 [40.46]	28.594 [726.29]	MFL
582202150730.3750	30.375" (GEN) FJ PN RAIL TOP	1.593 [40.46]	30.375 [771.53]	AFL
582202150730.5940	30.594" (GEN) FJ PN RAIL TOP	1.593 [40.46]	30.594 [777.09]	MFL
582202150732.3750	32.375" (GEN) FJ PN RAIL TOP	1.593 [40.46]	32.375 [822.33]	AFL
582202150732.5940	32.594" (GEN) FJ PN RAIL TOP	1.593 [40.46]	32.594 [827.89]	MFL
582202150733.0310	33.031" (GEN) FJ PN RAIL TOP	1.593 [40.46]	33.031 [838.99]	AFL
582202150734.3750	34.375" (GEN) FJ PN RAIL TOP	1.593 [40.46]	34.375 [873.13]	AFL
582202150734.5940	34.594" (GEN) FJ PN RAIL TOP	1.593 [40.46]	34.594 [878.69]	MFL
582202150740.5940	40.594" (GEN) FJ PN RAIL TOP	1.593 [40.46]	40.594 [1031.09]	MFL

TITLE 5/4 TOP RAIL
 FIBERGLASS - PURCHASED

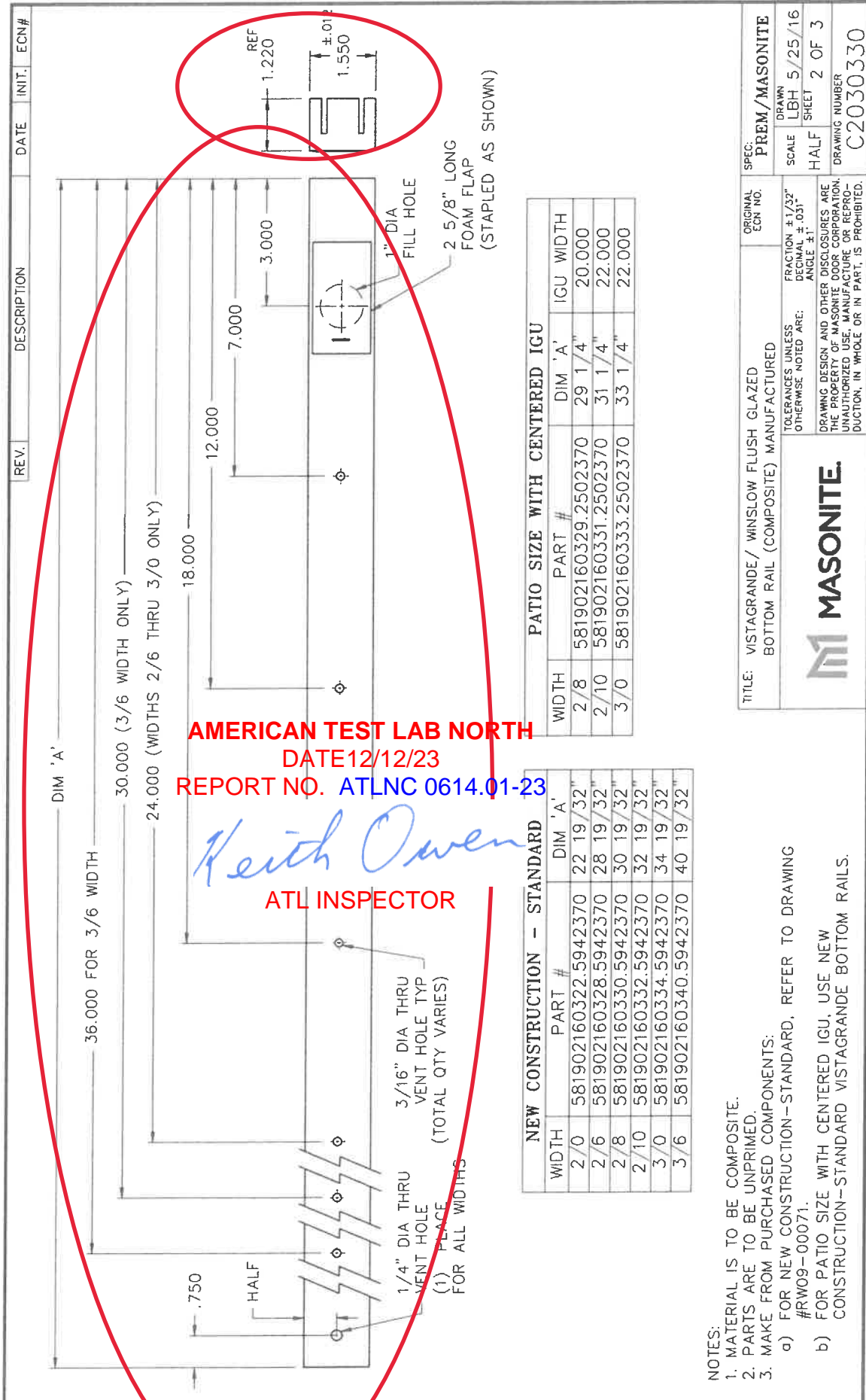
ORIGINAL PCR REVISION: 9393
 SCALE: NTS
 SHEET: 1 OF 1
 DATE: 6/30/2016
 DRAWN BY: JL

TOLERANCES UNLESS OTHERWISE NOTED ARE:
 FRACTION ± 1/32"
 DECIMAL ± .031"
 ANGLE ± 1°

MASONITE

DRAWING DESIGN AND OTHER DISCLOSURES ARE THE PROPERTY OF MASONITE DOOR CORPORATION. UNAUTHORIZED USE, MANUFACTURE OR REPRODUCTION (IN WHOLE OR IN PART) IS PROHIBITED.

C2030367



AMERICAN TEST LAB NORTH
 DATE 12/12/23
 REPORT NO. ATLNC 0614.01-23

Keith Owen
 ATL INSPECTOR

NEW CONSTRUCTION - STANDARD		PATIO SIZE WITH CENTERED IGU	
WIDTH	PART #	DIM 'A'	IGU WIDTH
2/0	581902160322.5942370	22 19/32"	20.000
2/6	581902160328.5942370	28 19/32"	22.000
2/8	581902160330.5942370	30 19/32"	22.000
2/10	581902160332.5942370	32 19/32"	22.000
3/0	581902160334.5942370	34 19/32"	22.000
3/6	581902160340.5942370	40 19/32"	22.000

- NOTES:
- MATERIAL IS TO BE COMPOSITE.
 - PARTS ARE TO BE UNPRIMED.
 - MAKE FROM PURCHASED COMPONENTS:
 - FOR NEW CONSTRUCTION - STANDARD, REFER TO DRAWING #RW09-00071.
 - FOR PATIO SIZE WITH CENTERED IGU, USE NEW CONSTRUCTION - STANDARD VISTAGRANDE BOTTOM RAILS.

TITLE: VISTAGRANDE / WINSLOW FLUSH GLAZED BOTTOM RAIL (COMPOSITE) MANUFACTURED

ORIGINAL ECH NO. _____

SPEC: PREM/MASONITE

TOLERANCES UNLESS OTHERWISE NOTED ARE: FRACTION ± 1/32" DECIMAL ± .031" ANGLE ± 1'

SCALE: DRAWN LBH 5/25/16 HALF SHEET 2 OF 3

DRAWING NUMBER: C2030330

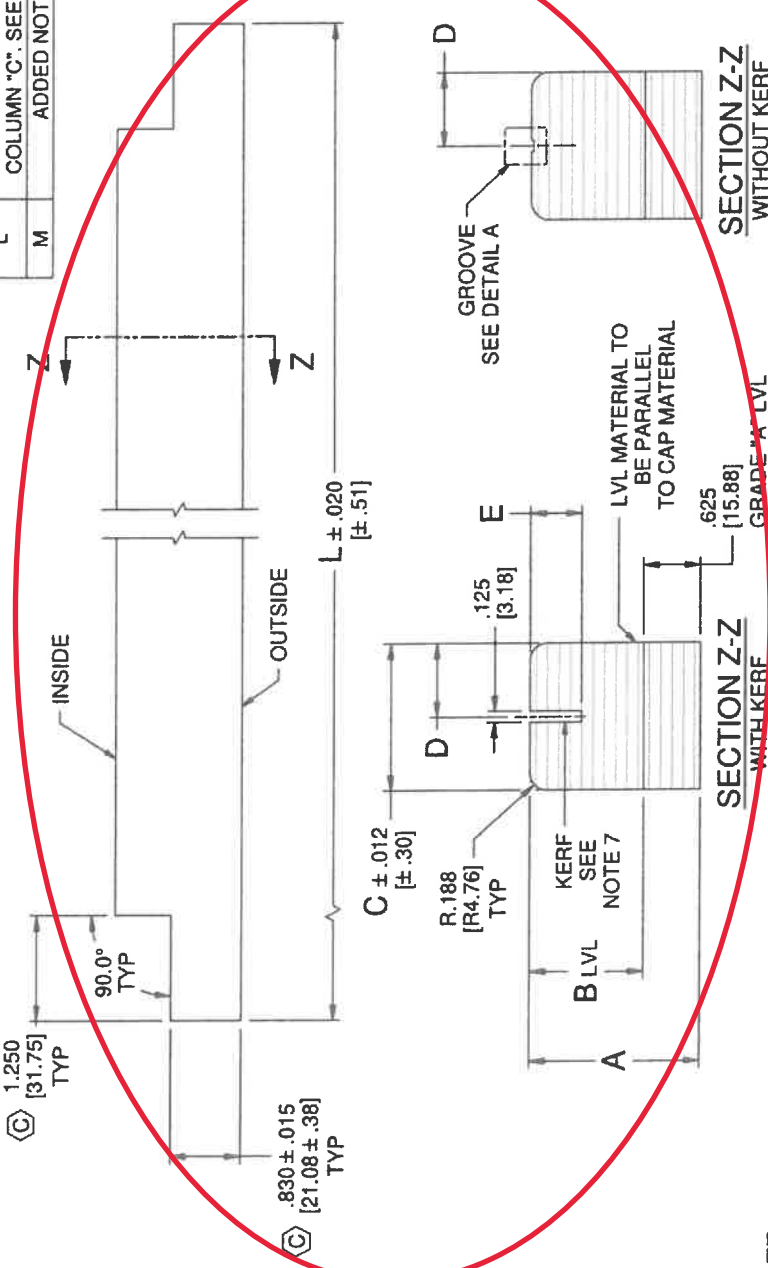
DRAWING NUMBER: C2030330

DRAWING NUMBER: C2030330



Keith Owen
ATL INSPECTOR

REVISION HISTORY					
REV	DESCRIPTION	PCR	DRAWN BY	DATE	APPROVED
K	(5) PART NUMBERS ADDED. SEE SHEET 2.	718	LBH	9/30/20	AAV
L	METRIC DATA CORRECTED IN COLUMN "C". SEE SHEET 2.	718	LBH	10/26/20	AAV
M	ADDED NOTE 11	940	DB	05/19/2022	AAV



- NOTE:**
- SEE SPECIFICATION 306391 FOR WOOD INSPECTION STANDARDS
 - ACCEPTABLE MATERIAL IS: LVL WITH GRADE "A" LVL
 - ACCEPTABLE CONSTRUCTION CAN BE: LAP JOINT LVL OR FINGERJOINT LVL CONSTRUCTION
 - OUTSIDE GRADE "A" LVL TO BE 5/8" THICK
 - GRADE A LVL TO MEET "GRADED SURFACE X-EXTERIOR" SPECIFICATION FROM EMS 306391
 - PARTS ARE UNPAINTED AND WITHOUT PRESERVATIVE FINISH
 - KERF- SEE TABLE 1 IF APPLICABLE
 - SYMBOL (C) INDICATES CRITICAL DIMENSION
 - DIMENSIONS IN BRACKETS [XX] INDICATE METRIC mm DIMENSIONS
 - MILL OPTION TO USE ONE LAYER OF RADIATA PINE VENEER ON FRONT AND BACK.
 - ONE END OF THE THICK COMPONENTS (1.598" THICK) TO BE IDENTIFIED WITH YELLOW COLOR

MFL WOOD STILES FOR FIBERGLASS - PURCHASED

MASONITE

TOLERANCES UNLESS OTHERWISE NOTED ARE:
 FRACTION ± 1/32"
 DECIMAL ± .031"
 ANGLE ± 1°

ORIGINAL PCR REVISION: 9389
 SCALE: NTS
 SHEET: 1 OF 2
 DATE: 7/26/2016
 DRAWING: B
 DRAWN BY: JL
 CHECKED BY: M
 C2030387

THE PROPERTY OF MASONITE DOOR CORPORATION. UNAUTHORIZED USE, MANUFACTURE OR REPRODUCTION (IN WHOLE OR IN PART) IS PROHIBITED.

CONFIDENTIAL PROPERTY OF MASONITE PRINTED DRAWING MAY NOT BE MOST RECENT VERSION

MFL STILES										
PART NUMBER	DESCRIPTION	L	A	B (REF)	KERF	E	C	D		
589601020377.3751181	77.375 Single Ply with LVL Stiles Blnk Hng FJ Pine Edge Band	77.375 [1965.33]	1.500 [38.10]	0.875 [22.23]	NO	N/A	1.578 [40.08]	0.789 [20.04]		
589601020777.3751181	77.375" (Gen) Single Ply with LVL Stiles Blnk Hng FJ Pine Edge Band	77.375 [1965.33]	1.500 [38.10]	0.875 [22.23]	NO	N/A	1.598 [40.59]	0.799 [20.29]		
589601060377.3751181	77.375 Single Ply with LVL Stiles Blnk Strk FJ Pine Edge Band	77.375 [1965.33]	1.875 [47.63]	1.250 [31.75]	NO	N/A	1.578 [40.08]	0.789 [20.04]		
589601060777.3751181	77.375" (Gen) Single Ply with LVL Stiles Blnk Strk FJ Pine Edge Band	77.375 [1965.33]	1.875 [47.63]	1.250 [31.75]	YES	0.563 [15.11]	1.550 [39.37]	0.775 [19.69]		
589601060377.3752366	77.375 Single Ply with LVL Stiles Blnk Strk FJ Pine Edge Band With Foam Kerf	77.375 [1965.33]	1.875 [47.63]	1.250 [31.75]	NO	N/A	1.598 [40.59]	0.799 [20.29]		
582201010679.562622	79.562 FJ Pine Stiles Blnk OAKCRAFT SIDELITE	79.562 [2020.87]	1.220 [30.99]	0.595 [15.11]	NO	N/A	1.578 [40.08]	0.789 [20.04]		
582201010779.562622	79.562" (Gen) FJ Pine Stiles Blnk OAKCRAFT SIDELITE	79.562 [2020.87]	1.220 [30.99]	0.595 [15.11]	NO	N/A	1.598 [40.59]	0.799 [20.29]		
582201010679.5622368	79.562 FJ Stiles Blnk OAKCRAFT SIDELITE with Foam Kerf	79.562 [2020.87]	1.220 [30.99]	0.595 [15.11]	YES	0.375 [10.00]	1.550 [39.37]	0.755 [19.18]		
589601020379.5621181	79.562" (Gen) Single Ply with LVL Stiles Blnk Hng FJ Pine Edge Band	79.562 [2020.87]	1.500 [38.10]	0.875 [22.23]	NO	N/A	1.578 [40.08]	0.789 [20.04]		
589601060379.5621181	79.562 Single Ply with LVL Stiles Blnk Hng FJ Pine Edge Band	79.562 [2020.87]	1.500 [38.10]	0.875 [22.23]	NO	N/A	1.598 [40.59]	0.799 [20.29]		
589601060779.5621181	79.562" (Gen) Single Ply with LVL Stiles Blnk Strk FJ Pine Edge Band	79.562 [2020.87]	1.875 [47.63]	1.250 [31.75]	NO	N/A	1.578 [40.08]	0.789 [20.04]		
589601060379.5622366	79.562 Single Ply with LVL Stiles Blnk Strk FJ Pine Edge Band With Foam Kerf	79.562 [2020.87]	1.875 [47.63]	1.250 [31.75]	YES	0.563 [15.11]	1.550 [39.37]	0.775 [19.69]		
589601010383.5621181	83.562 Single Ply with LVL Stiles Blnk FJ Pine Edge Band	83.562 [2122.47]	1.875 [47.63]	1.250 [31.75]	NO	N/A	1.578 [40.08]	0.789 [20.04]		
582201410693.375619	93.375 FJ Pine Stile Blnk Hng End-dado	93.375 [2371.73]	1.440 [36.58]	0.815 [20.70]	NO	N/A	1.578 [40.08]	0.789 [20.04]		
589601010393.3752366	93.375 Single Ply with LVL Stiles Blnk FJ Pine Edge Band With Foam Kerf	93.375 [2371.73]	1.875 [47.63]	1.250 [31.75]	YES	0.563 [15.11]	1.550 [39.37]	0.775 [19.69]		
582201010695.5622368	95.562 FJ Stiles Blnk OAKCRAFT SIDELITE with Foam Kerf	95.562 [2427.27]	1.220 [30.99]	0.595 [15.11]	YES	0.375 [10.00]	1.550 [39.37]	0.775 [19.69]		
582201010695.562622	95.562" (Gen) FJ Stile Blnk OAKCRAFT SIDELITE	95.562 [2427.27]	1.220 [30.99]	0.595 [15.11]	NO	N/A	1.578 [40.08]	0.789 [20.04]		
589601010395.5622366	95.562 Single Ply with LVL Stiles Blnk FJ Pine Edge Band With Foam Kerf	95.562 [2427.27]	1.875 [47.63]	1.250 [31.75]	YES	0.563 [15.11]	1.550 [39.37]	0.775 [19.69]		
589601010395.5621181	95.562" (Gen) Single Ply with LVL Stiles Blnk FJ Pine Edge Band	95.562 [2427.27]	1.875 [47.63]	1.250 [31.75]	NO	N/A	1.578 [40.08]	0.789 [20.04]		
589601010396.5001181	96.500 Single Ply with LVL Stiles Blnk Strk FJ Pine Edge Band	96.500 [2451.10]	1.875 [47.63]	1.250 [31.75]	NO	N/A	1.578 [40.08]	0.789 [20.04]		

* SIDELITE STILES CAN BE FINGER JOINTED PINE CONSTRUCTION.

AMERICAN TEST LAB NORTH
 DATE 12/12/23
 REPORT NO. ATLNC 0614.01-23

Keith Owen
 ATL INSPECTOR

TITLE		MFL WOOD STILES FOR FIBERGLASS - PURCHASED		ORIGINAL K/R REVISION	M
SCALE	FRACTION ± 1/32" DECIMAL ± .031" ANGLE ± 1°	SHEET	2 OF 2	DATE	JL
TOLERANCES UNLESS OTHERWISE NOTED ARE:		SHEET SIZE	B	DATE	7/26/2016
DRAWING					C2030387
					
<small>DRAWING DESIGN AND OTHER DISCLOSURES ARE THE PROPERTY OF MASONITE DOOR CORPORATION. UNAUTHORIZED USE, MANUFACTURE OR REPRODUCTION (IN WHOLE OR IN PART) IS PROHIBITED.</small>					

CONFIDENTIAL PROPERTY OF MASONITE - PRINTED DRAWING MAY NOT BE MOST RECENT VERSION

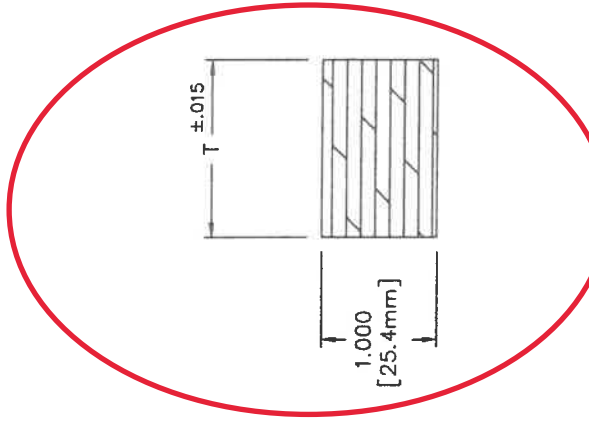
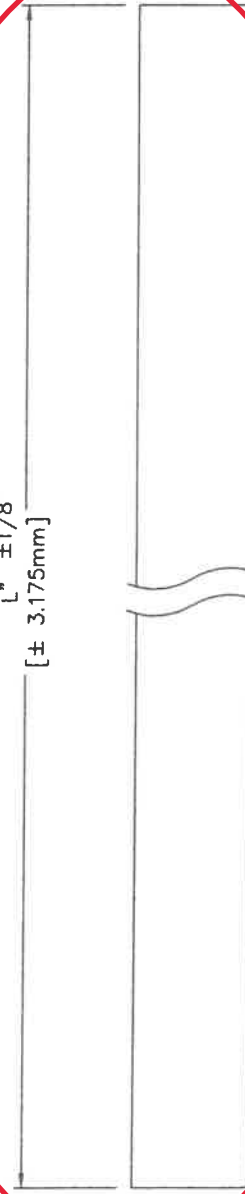
AMERICAN TEST LAB NORTH
 DATE 12/12/23
 REPORT NO. ATLNC 0614.01-23

Keith Owen

ATL INSPECTOR

PART #	DIM 'L'	DIM 'T'
580003200321.0002367	21"	1.545"
580003200312.0002367	12"	1.545"
580003200712.0002367	21"	1.565"
580003200721.0002367	12"	1.565"

L" ±1/8"
 [± 3.175mm]



- NOTE:
- 1.) SEE EMS 306393 FOR INSPECTION STANDARDS.
 - 2.) SEE EMS 306393 FOR MATERIAL STANDARDS.
 USE OF PARTICLEBOARD IS NOT ALLOWED.
 - 3.) ONE END OF THE THICK COMPONENTS (1.565" THICK)
 TO BE IDENTIFIED WITH YELLOW COLOR.

REV.	DESCRIPTION	DATE	INIT.	ECN#
J	REVISED LENGTH & PART NUMBER	10/3/14	AAV	9049
K	ADDED 12" PART NUMBER	3/9/15	AAV	9071
L	2 PART NUMBERS ADDED	9/30/20	AAV	718
M	ADDED NOTE 3	5/19/22	AAV	940

TITLE: 1" NARROW LOCK BLOCK
 PURCHASED

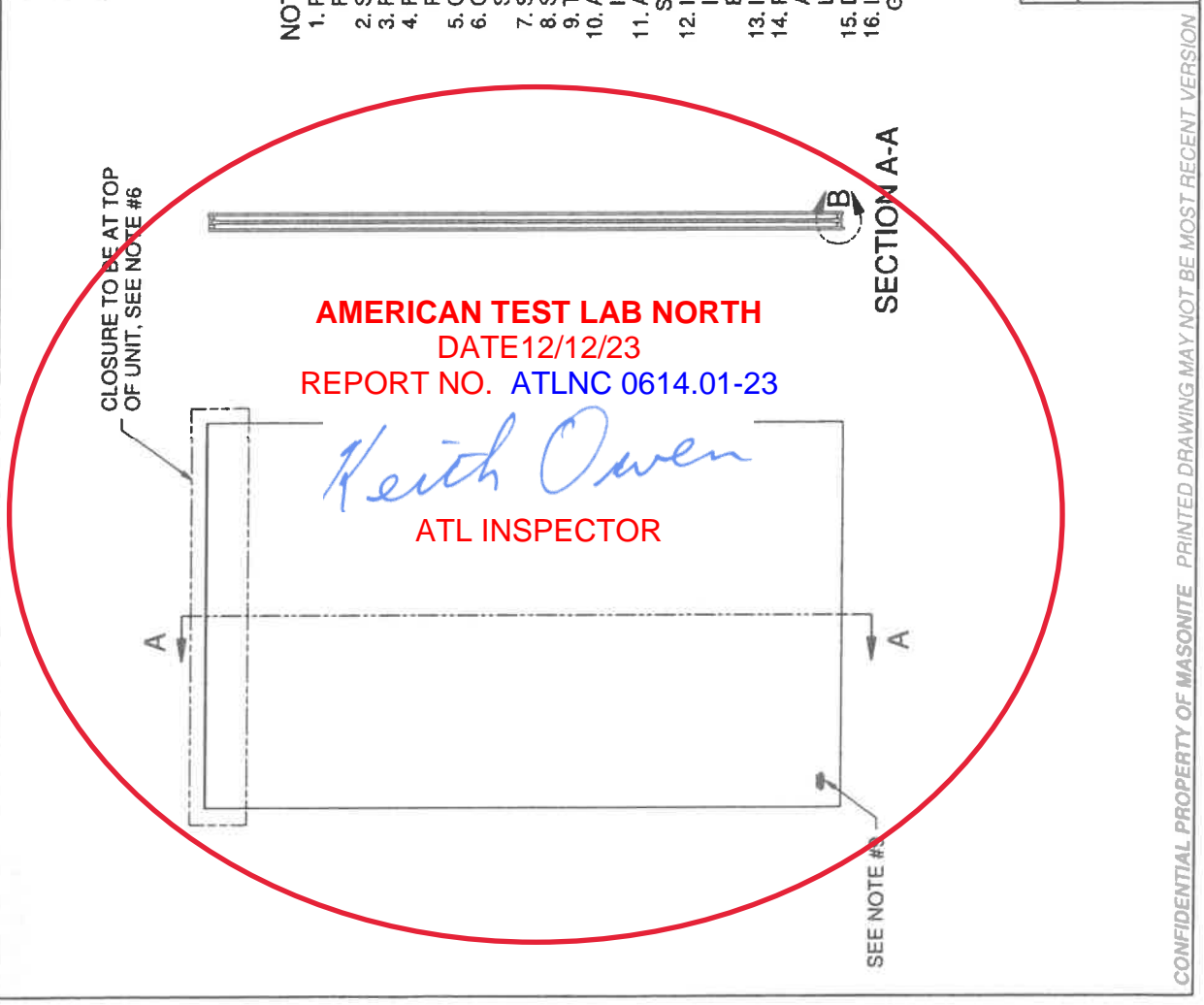
TOLERANCES UNLESS OTHERWISE NOTED ARE:
 FRACTION ±1/32"
 DECIMAL ±.031"
 ANGLE ±1°

DRAWING DESIGN AND OTHER DISCLOSURES ARE THE PROPERTY OF MASONITE DOOR CORPORATION. UNAUTHORIZED USE, MANUFACTURE OR REPRODUCTION, IN WHOLE OR IN PART, IS PROHIBITED.

SPEC: MASONITE
 DRAWN: ELE 09/29/98
 CHECKED: FULL
 SCALE: FULL
 DRAWING NUMBER: RW10-0008



REVISION HISTORY					
REV	DESCRIPTION	PCR	DRAWN BY	DATE	APPROVED
E	EDITED LEADER TEXT ON SHEET 2	1201	DB	10/26/2022	AAV



NOTE:

1. PREMIUM CUSHION EDGE SPACER SHOWN, PREMIUM SUPER SPACER SIMILAR REFER TO DRAWING C2030627 FOR SPACER DETAILS.
2. SECONDARY SEAL MUST NOT EXTEND BEYOND EDGE OF GLASS.
3. RECTANGULAR LITE SHOWN, DETAIL "B" IS TYPICAL OF ALL SHAPES AND SIDES.
4. FOR IGU MANUFACTURING, INSPECTION & QUALITY REQUIREMENTS, REFER TO QUANEX SUPER SPACER INSULATING GLASS MANUFACTURING MANUAL.
5. CLOSURE MUST BE TIGHT WITH NO GAPS OR VOIDS IN SEALANT.
6. CLOSURE TO BE LOCATED AT TOP OF THE SEALED UNIT, UNLESS OTHERWISE SPECIFIED.
7. SEE SBP-EMS-0001 FOR FLAT GLASS SPECIFICATIONS.
8. SEE SBP-EMS-0006 FOR FLAT GLASS QUALITY SPECIFICATIONS.
9. TEMPER LOGOS ON BOTH PANES TO ALIGN IN SAME CORNER.
10. ALL TEMPERED GLASS MUST COMPLY WITH THE CODES AND STANDARDS LISTED IN SPEC. #SBP-EMS-0001, SECTION 3.0.
11. ALL TEMPERED GLASS TO BE MARKED WITH LOGO PER SPEC. # SBP-EMS-0001, SECTION 4.0.
12. IG UNITS TO BE 3RD PARTY CERTIFIED TO ASTM E 2190 "STANDARD SPECIFICATION FOR INSULATING GLASS UNIT FOR PERFORMANCE AND EVALUATION" AND BE MARKED PER THEIR INSPECTION AGENCY REQUIREMENTS.
13. IG CERTIFICATION LOGO TO BE SAME CORNER OF IGU AS TEMPERED GLASS LOGO.
14. FOR CONSTRUCTION DETAILS, ACCEPTABLE MATERIALS, QUALITY STANDARDS, AND PERFORMANCE REQUIREMENTS OF LAMINATED SAFETY GLASS FOR LAMINATED IGU, REFER TO MASONITE EMS # SBP-EMS-0008.
15. DIMENSIONS IN BRACKETS [XX] INDICATE METRIC mm DIMENSIONS
16. IGU EDGE SHOULD BE FREE FROM EMBEDDED PIECES OF GLASS/CARDBOARD/CORK PADS ETC.

TITLE SUPER SPACER INSULATED GLASS UNIT ASSEMBLY		ORIGINAL PCR REVISION	E
TOLERANCES UNLESS OTHERWISE NOTED ARE:		SCALE	NTS
FRACTION ± 1/32"		SHEET	1 OF 2
ORIGINAL ± .031"		SHEET SIZE	B
ANGLE ± 1°		DATE	5/2/2017
DRAWING DESIGN AND OTHER DISCLOSURES ARE THE PROPERTY OF MASONITE DOOR CORPORATION. UNAUTHORIZED USE, MANUFACTURE OR REPRODUCTION (IN WHOLE OR IN PART) IS PROHIBITED.		DRAWING	
MASONITE		A1020319	

CONFIDENTIAL PROPERTY OF MASONITE PRINTED DRAWING MAY NOT BE MOST RECENT VERSION

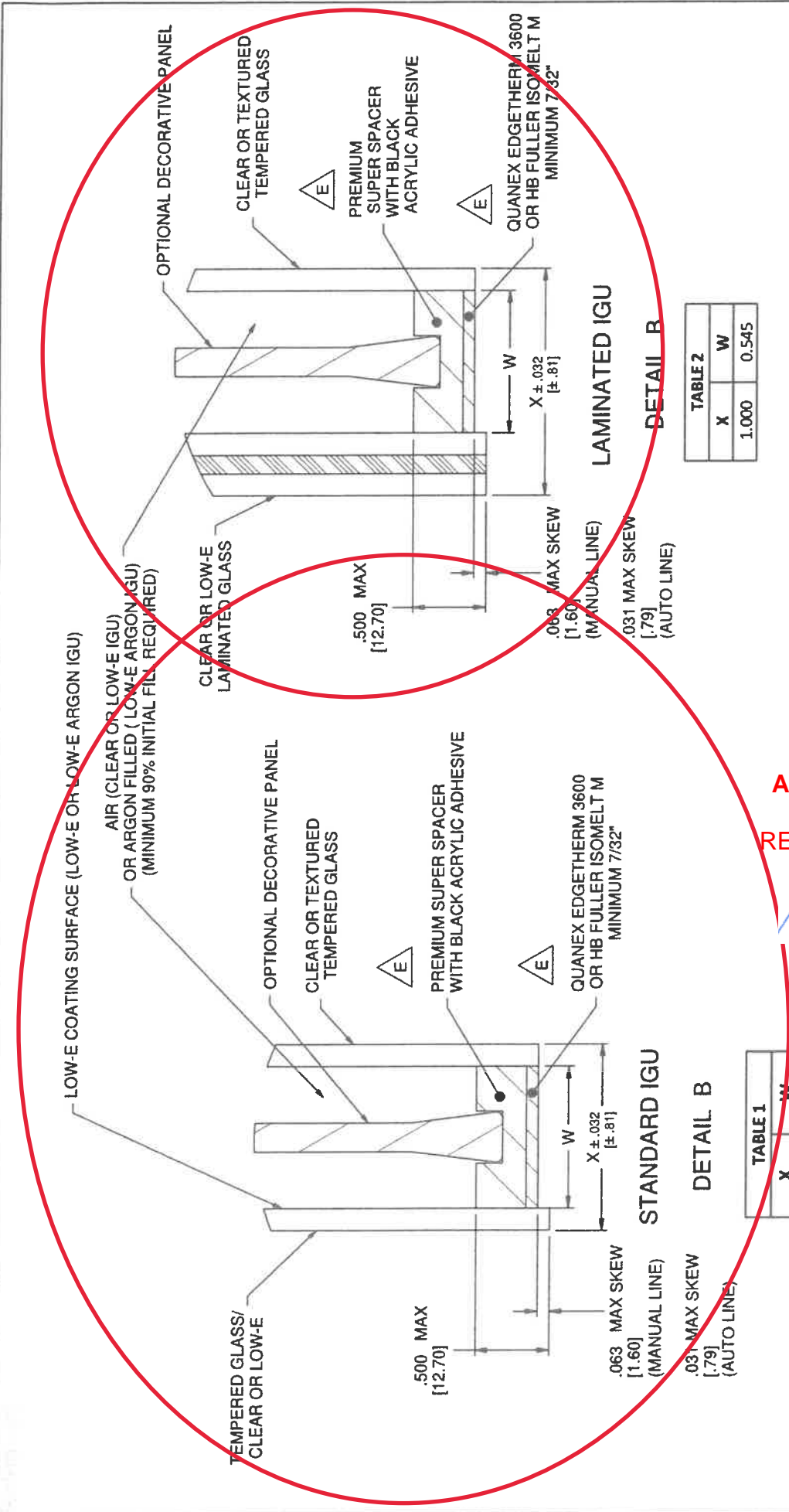


TABLE 2

X	W
1.000	0.545

TABLE 1

X	W
1.000	0.750
0.750	0.500
0.500	0.250

MASONITE

ORIGINAL SCALE: 9576
 SCALE: NTS
 SHEET: 2 OF 2
 DRAWING: B
 DATE: 5/2/2017
 DIVISION: E
 TITLE: SUPER SPACER INSULATED GLASS UNIT ASSEMBLY

TOLERANCES UNLESS OTHERWISE NOTED ARE:
 FRACTION ± 1/32"
 DECIMAL ± .031"
 ANGLE ± 1°

DRAWING DESIGN AND OTHER DISCLOSURES ARE THE PROPERTY OF MASONITE DOOR CORPORATION. UNAUTHORIZED USE, MANUFACTURE OR REPRODUCTION (IN WHOLE OR IN PART) IS PROHIBITED.

A1020319

AMERICAN TEST LAB NORTH
 DATE 12/12/23
 REPORT NO. ATLNC 0614.01

Keith Owen
 ATL INSPECTOR

CONFIDENTIAL PROPERTY OF MASONITE PRINTED DRAWING MAY NOT BE REPRODUCED